



A.Y. McDonald Mfg. Co. Pumps and Accessories Price List Effective December 11, 2016 Supersedes December 31, 2015

12-11-16

Trade Customs

CONTROLLING PROVISIONS: These terms and conditions supersede all previous terms and conditions and shall control any sale by A.Y. McDonald Mfg. Co. ("Seller"). No alteration or waiver of these terms and conditions shall be valid unless specifically accepted in writing by an authorized representative of Seller.

PRICES: Billing prices are those in effect at the time the order is shipped. All prices are subject to change without notice. Possession of a price sheet shall not be construed as an offer to sell. Seller reserves the right to reject any order.

TERMS: 2% 10th Prox., Net 25th (A 2% cash discount can be taken on the 10th of the month following the shipment. The month is defined as the 26th through the 25th. For example, a February 25th invoice is due 2% on March 10th, a February 26th invoice is due 2% April 10th, and all invoices are due net the 11th and considered past due on the 26th of the month). Without open credit terms, payment may be required prior to shipping. A 2% monthly service charge (or the maximum amount permitted by law) may be applied to the balance of any past-due invoice. Buyer shall pay any necessary collection fees, including reasonable attorney fees.

TAXES: Any sales tax, use tax, manufacturer tax, duty, or other cost imposed by any government entity shall, at Seller's option, be added to the purchase price and payable by buyer. Buyer must certify any tax exemption and agree to indemnify Seller against any tax imposed contrary to such certification.

FREIGHT: All prices are F.O.B. Seller's factory, with full freight allowed within the contiguous United States and Canada on the orders that qualify pursuant to the Freight Program schedule. Seller reserves the right to select the carrier and route of shipment and to ship at the most economical rate. All extra charges for special handling or delivery services will be paid for by the buyer. Terms for shipment outside the contiguous United States and Canada shall be established on a case-by-case basis.

"LIMITED WARRANTY Subject to the limitations stated herein, A.Y. McDonald Mfg. Co. ("Seller") warrants that pumps and pump accessories manufactured by Seller shall be free from defects in material and workmanship and shall perform the services for which they are intended when properly installed, under normal use, and under ordinary conditions, for a period of two (2) years from the date of manufacture or one (1) year from the date of installation, whichever is earliest. Other warranty periods may apply to certain products noted below. This Limited Warranty does not cover or apply to water service products, plumbing products, or high pressure gas products manufactured by Seller. Buyer must notify Seller in writing of a potentially defective product as soon as possible, which notice must provide the serial and model numbers of the product and a description of the potential defect. Upon receipt of such notice, Seller shall, at its option and at its expense, examine such product at Seller's factory or such other location as Seller shall determine. Should Seller agree to a return of the product, buyer shall follow in every respect the packaging and transportation instructions provided by Seller. In no case shall a product be returned without first obtaining the permission of Seller. If a product is proven to the satisfaction of Seller to be defective, then Seller shall, at its option and at its expense, repair or replace such product or reimburse buyer for the price paid by buyer for such product, and credit will be issued to buyer to offset the expense of the return shipment to Seller for shipments within the continental United States. The cost of shipping to buyer a repaired or replaced product shall be paid by Seller on the same shipping terms as the original shipment of such product to buyer. Except as stated herein, buyer shall assume all responsibility and expense for any dismantling, removal, reinstallation, and shipping in connection with this Limited Warranty, and no claims will be allowed for labor, shipping, materials, or other costs incident to the repair, replacement, or return of a product.

THIS LIMITED WARRANTY IS THE ONLY WARRANTY PROVIDED BY SELLER AND IS MADE IN LIEU OF ALL OTHER WARRANTIES, EXPRESS OR IMPLIED, INCLUDING BUT NOT LIMITED TO THE IMPLIED WARRANTIES OF MERCHANTABILITY AND FITNESS FOR A PARTICULAR PURPOSE.

SELLER'S LIABILITY IS LIMITED TO REPAIR, REPLACEMENT, OR REIMBURSEMENT AS PROVIDED ABOVE, AND IN NO EVENT SHALL SELLER'S LIABILITY EXCEED THE PURCHASE PRICE OF THE PRODUCT(S) INVOLVED. THIS LIMITED WARRANTY PROVIDES THE EXCLUSIVE REMEDY AGAINST SELLER FOR CLAIMS RELATING TO PRODUCTS, WHETHER IN CONTRACT, IN TORT (INCLUDING NEGLIGENCE), OR UNDER ANY OTHER LEGAL THEORY, AND WHETHER ARISING OUT OF WARRANTIES, REPRESENTATIONS, INSTRUCTIONS, OR DEFECTS FROM ANY CAUSE. IN NO EVENT SHALL SELLER BE LIABLE FOR OR OBLIGATED TO PAY ANY CONSEQUENTIAL, INCIDENTAL, SPECIAL, INDIRECT, OR PUNITIVE DAMAGES OF ANY KIND.

THIS LIMITED WARRANTY EXTENDS ONLY TO BUYERS WHO PURCHASE SELLER'S PRODUCT(S) DIRECTLY FROM SELLER ("ORIGINAL PURCHASERS"), INCLUDING DISTRIBUTORS, WHOLESALE, UTILITIES, AND CONTRACTORS. THIS LIMITED WARRANTY IS NOT ASSIGNABLE OR OTHERWISE TRANSFERABLE BY THE ORIGINAL PURCHASER TO ANY OTHER PARTY. SELLER EXTENDS NO WARRANTY, EXPRESS OR IMPLIED, INCLUDING BUT NOT LIMITED TO THE IMPLIED WARRANTIES OF MERCHANTABILITY AND FITNESS FOR A PARTICULAR PURPOSE, TO "CONSUMERS," AS THAT TERM IS DEFINED IN THE MAGNUSON-MOSS WARRANTY ACT (15 U.S.C. SECTIONS 2301 ET SEQ.) AND THE REGULATIONS

PROMULGATED THEREUNDER. IN NO EVENT SHALL THE DURATION OF ANY IMPLIED WARRANTY OF MERCHANTABILITY OR FITNESS FOR A PARTICULAR PURPOSE BE LONGER THAN THE PERIOD PRESCRIBED HEREIN.

This Limited Warranty shall not apply to product failure or defect: caused by sand or abrasive materials in water, corrosion due to aggressive waters, storm, fire, wind, accident, or similar casualty, or improper electrical supply; due to a defect in the design, engineering, or installation of any water or other system; where the product has been modified without the prior written authority of Seller; caused by the failure to install or use the product in conformity with any instructions or specifications provided by Seller; caused by the improper installation, use, application, maintenance, repair, transportation, handling, or storage of the product; caused by the fault or negligence of anyone other than Seller or any other act or event beyond the control of Seller. Seller makes no warranties as to any products or product parts or components that are not manufactured by Seller, and such items (including the motors, tanks, air volume controls, and pressure switches that may be a part of the pump system) may be warranted only to the extent of the original manufacturer's warranty, if any. The limitations of liability contained in this Limited Warranty shall be effective without regard to Seller's performance or failure or delay of performance under any other term or condition of any trade customs, warranty, or other agreement. No employee, representative, or agent of Seller, nor any other person, has authority to assume or incur on behalf of Seller any liability, obligation, or responsibility in place of or in addition to this Limited Warranty."

The following warranty periods apply to the products noted below and are the only variations to the above standard Limited Warranty:

Two (2) years from date of installation applies to model# 5000VPSPBU Battery Backup Sump Pump

Three (3) years from date of installation applies to model(s)# 17035R020PC1, 17052R020PC1, 17070R020PC1, 17040C035PC2, 17062C035PC2, 17078C035PC2 Booster Pumps; 5020PUUP, 5025PTSP, 5025PVSP, 5033PVSP, 5033PVPD Sump Pumps; 5033CUEF, 5033CTEF25, 5050CUEF, 5050CTEF, 5050CTEF25, 5050CVSJ, 5050CTSJ25, 5050CTSJ, 5050CUEF, 5050CUSJ, 5050CUEF25, 5050CUSJ15, 5050CTSJ15, 5050CVSJ15, 5040CUEFH25, 5040CTEFH25, 5050CUEFH25, 5050CTEFH25 Effluent/Sewage Pumps; and 5050CTSJPAC, 5050CTSJPACSL, 5025PTSPCWB, 5050CTSSJPAC24, 5050CTSJPACSDA Package Systems.

Five (5) years from date of installation applies to model(s)# 5030CVSP, 5030CUSP, 5030CUSP25, 5030CTSP, 5033CVSP, 5033CUSP, 5033CUSP25, 5050CVSP, 5050CUSP25, 5033CVSPEZ, 5050CVPD Sump Pumps; 5030CVSPK, 5030CVSPCK Package Systems; 5030CVSPBUSS, 5033CVSPBUSS Side x Side Sumps; 16002-V3MPX, 16005-V3MPX Potable Water Pressure Tanks; and 16002-V3M, 16005-V3M, 16007-V3M, 16014-H4M, 16020MV4F, 16020H4M, 16032MV4F, 16036MV4F, 16052MV5F, 16086MV5F, 16096MV5F, 16119MV5F Well Tanks.

CLAIMS: Inspect all shipments immediately upon receipt, examining products for damage and verifying quantity. Any claim of damage, shortage, or non-conformance must be made in writing within 5 business days of receipt of goods (any claim of damage or shortage must be noted on the Freight Carrier's signed delivery receipt).

ORDERS: Seller is not responsible for and shall not be held liable for damages resulting from delays or failures in shipment, nor shall Seller be liable for any delay or failure to provide goods where occasioned by any force majeure event, including without limitation: strikes and other labor disputes; fires; acts of God; floods, snowstorms, tornados, and other storms; unusually severe inclement weather conditions; fuel, energy, carrier, or material shortages or embargoes; war; terrorism; civil disturbances; acts of civil or military authority; court order or decree; partial or complete destruction of factory or other facility; acts of buyer; inability to obtain or retain fuel, energy, carriers, materials, facilities, or labor without litigation or the payment of penalties or unreasonable prices or the acceptance of unreasonable terms and conditions; and any other cause beyond Seller's control.

RETURNS: Goods cannot be returned without the prior written approval of Seller. Return freight must be prepaid by buyer. After inspecting the returned goods, Seller may impose upon buyer: (1) a handling and restocking charge equal to a minimum of 25% of the invoiced cost of the returned goods; and, in addition thereto, (2) any costs required to put the goods in like-new condition. All credit memos are subject to cash discount terms as defined in our standard terms.

CANCELLATION: The contract resulting from Seller's acceptance of Buyer's order cannot be cancelled, terminated, or modified by Buyer, in whole or in part, except upon Seller's prior written approval.

INVOICING: Minimum invoice charge of \$50.00 (does not apply to Plumbing Products).

NON-STOCK PRODUCTS: Non-stock products (i.e., customized or non-standard products) may require a minimum order and buyer should make prior inquiry to Seller. Once production has begun, orders for non-stock products cannot be cancelled without the prior written approval of Seller. Seller will not accept the return of non-stock products.

CONSTRUCTION: All sales, contracts, and offers to buy or sell, all rights, remedies and duties of all persons, and the construction and effect of all provisions hereof, shall be governed by and construed according to the laws of the State of Iowa.



WARNING: It is unlawful in CALIFORNIA & VERMONT (effective 1/1/2010); MARYLAND (effective 1/1/2012); LOUISIANA (effective 1/1/2013) and the UNITED STATES OF AMERICA (effective 1/4/2014) to use any product in the installation or repair of any public water system or any plumbing in a facility or system that provides water for human consumption if the wetted surface area of the product has a weighted average lead content greater than 0.25%. This prohibition does not extend to service saddles used in California, Louisiana or under USA Public Law 111-380.

Freight Program

I. PRODUCT GROUP QUALIFICATION LEVELS

Freight will be prepaid and allowed by Seller on orders that meet or exceed the following net prices or unit qualifiers (net prices reflect list prices less applicable discounts):

1. High Pressure Gas (may be combined with Plumbing Valves) \$2,500 Net
2. Water Service Products (may be combined with Curb Boxes, Pumps, Pump Accessories, Plumbing Valves, Frames & Covers, HPG, and Yoke Boxes) \$6,000 Net
3. Pumps..... 12+ units
4. Plumbing Products (may be combined with Pump Accessories) \$1,300 Net
5. Tanks.....24+ units (may be 24 units in combination with Jets and Submersibles)
6. Pit Setters . . . 15" diameter - 144 units
18" diameter - 96 units
21" diameter - 72 units
24" diameter - 48 units
30" and 36" diameter - 24 units

II. ADDITIONS

Once an order qualifies for freight in **any** product group, other products on your order ride free (excluding Tanks and Pit Setters). However, additions to freight allowed orders will **NOT** be allowed once the original order is on board or a partial shipment has been made against the original order.

Freight qualifiers are subject to change without notice.

Table of Contents

SECTION	PAGE	SECTION	PAGE
CUSTOMS & FREIGHT	1-2	8 SEWAGE, EFFLUENT, GRINDER, & GUARDIAN PUMPS	29-31
Trade Customs.....	1	DuraMAC™ Effluent & Sewage Pumps.....	29
Return Goods.....	1	Guardian.....	29
Limited Warranty.....	1	High Head Effluent Pumps.....	30
No-Lead Warning.....	1	Effluent Pumps.....	31
Freight Program.....	2	Sewage Ejectors.....	31
1 4" SUBMERSIBLE PUMPS	4-16	Grinder Pumps & Packages.....	31
21000 Series - Silicon Bronze.....	4-6	9 DEWATERING PUMPS	32-33
23000 Series - Stainless Steel.....	7-8	Mini Mac Transfer Pump.....	32
22000 Series - Thermoplastic.....	9	Submersible Dewatering Pumps.....	32
24000 Series - 5 - 80 GPM	10-13	Handymac.....	32
26000 Series - 4" Stainless Steel Pump Ends ...	14	Sludgemaster.....	32
Cistern Pump	14	Electric Trash Pumps	32
Control Boxes & Drives.....	15	General Purpose Pumps.....	32
Motors & Contactors for three phase motors.....	16	High Pressure.....	32
2 6", 8", 10" PUMP ENDS	17-20	Trash Pumps.....	33
6", 8", & 10" Stainless Steel Pump Ends	17-18	Dredging Pumps.....	33
6" Submersible Motors	19	Diaphragm Pumps.....	33
Control Boxes.....	19	Fire Pumps.....	33
Hitachi Submersible Motors	20	10 PUMP ACCESSORIES	34-37
Control Panels & Submonitors	20	Electric Instruments.....	34
3 TANKS	21	Silicon Bronze Foot Valves.....	34
DuraMAC™ Pump Tanks	21	Silicon Bronze Check Valves.....	34
DuraMAC™ Expansion & Potable Tanks	21	No-Lead Brass Relief Valves.....	34
4 JET PUMPS	21-23	No-Lead Brass Tank Tees.....	34
Shallow Well, Multi-Stage.....	21-22	Sanitary Well Seals	35
Ejectors Packages & Casing Adapters	22-23	Plastic Sanitary Well Seals	35
& Flanges.....	22-23	Pressure Switches	35
5 DURAMAC™ BOOSTER PUMPS	24-26	Air Volume Controls.....	35
DuraMAC™ Variable Speed Boosters.....	24-25	Pressure Gauges	35
DuraMAC™ Booster Pump.....	26	Pipe Holder	36
6 CENTRIFUGAL PUMPS	26-27	Float / Float Valves	36
27000 Series - Super Booster.....	26-27	Mechanical Pump Float Switches	36
1500XSW Series - Multi-stage	27	Control Switches	36
8600SW Pumps	27	Liquid Level Alarm Systems.....	37
88000 & 84000 Series.....	27	Grinder Accessories.....	37
87000 Series - Rainmaker.....	27	Poly Basins, Covers & Kits.....	37
92000/93000 Series - Workhorse.....	27	11 PUMP REPAIR PARTS	38-49
7 UTILITY & SUMP PUMPS	28	Motor Control Components	38
DuraMAC™ Sump Pumps & Utility.....	28	303022SP Repair Parts.....	39
		8100/8200 Series.....	40
		8500/8600 Series.....	41
		1000/1500 Series.....	42-43
		92000/93000 Series	44
		27000 Superbooster Motors	44
		87000 Series	45
		84000 Series	46
		88000 Series	47
		Guardian Repair Parts.....	48
		DuraMAC™ Booster Repair Parts.....	49

1 - 21000 Series - Silicon Bronze Submersible Pumps 4"

Multiplier _____

21

Pump Model

- Model 21 - Bronze
- Model 22 - Plastic
- Model 23 - Stainless Steel
- Model 24 - Stainless Steel

050

Horsepower

- 030 - 1/3 HP
- 050 - 1/2 HP
- 075 - 3/4 HP
- 100 - 1 HP
- 150 - 1 1/2 HP
- 200 - 2 HP
- 300 - 3 HP
- 500 - 5 HP

Series

- J Series - 5 GPM
- V Series - 7 GPM
- K Series - 10 GPM
- L Series - 15 GPM
- P Series - 20 GPM
- M Series - 25 GPM

3

Wires

- Two wire or
- Three wire

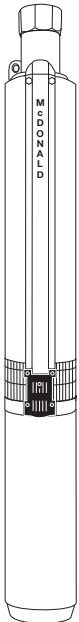
A

Other

- A - 115V Single Phase
- Y - 460V Three Phase
- Z - 230V Three Phase
- F - 220V 50HZ Three Phase
- C - 200V Three Phase
- Q - 380V Three Phase
- M - 575V Three Phase
- H - 380V 50HZ Three Phase
- N - 415V 50HZ Three Phase

NOTES

- Standard is 230V, Single Phase
- Three-wire single phase models include pump, motor, 48" leads (1/2 through 2 HP) OR 100" leads (3 HP and larger), control box (1/2 thru 3 HP Standard control box, 5 HP Deluxe control box), and check valve.
- Two-wire single phase models include pump, motor, 48" leads, and check valve.
- Three-wire three phase models include pump, motor, 48" leads (1/2 through 2 HP) OR 100" leads (3 HP and larger), contactor, and check valve.
- All submersible pumps include grounded leads.



5 GPM - J Series

Two Wire

Model	HP	V	LIST	CTN QTY	WT
21030J2A	1/3	115V	\$ 1,164.00	1	28
21030J2	1/3	230V	\$ 1,164.00	1	28
21050J2A	1/2	115V	\$ 1,164.00	1	32
21050J2	1/2	230V	\$ 1,164.00	1	30
21075J2	3/4	230V	\$ 1,480.00	1	35
21100J2	1	230V	\$ 1,711.00	1	40
21150J2	1 1/2	230V	\$ 2,112.00	1	51

Three Wire

21030J3A	1/3	115V	\$ 1,204.00	1	32
21030J3	1/3	230V	\$ 1,204.00	1	31
21050J3A	1/2	115V	\$ 1,204.00	1	35
21050J3	1/2	230V	\$ 1,204.00	1	35
21075J3	3/4	230V	\$ 1,497.00	1	38
21100J3	1	230V	\$ 1,702.00	1	43
21150J3	1 1/2	230V	\$ 2,116.00	1	50
21150J3Z	1 1/2	230V - 3 Ph	\$ 2,663.00	1	48

7 GPM - V Series

Two Wire

21030V2A	1/3	115V	\$ 980.00	1	27
21030V2	1/3	230V	\$ 980.00	1	28
21050V2A	1/2	115V	\$ 980.00	1	29
21050V2	1/2	230V	\$ 980.00	1	27
21075V2	3/4	230V	\$ 1,360.00	1	33
21100V2	1	230V	\$ 1,557.00	1	36
21150V2	1 1/2	230V	\$ 1,965.00	1	49

Three Wire

21030V3A	1/3	115V	\$ 1,049.00	1	28
21030V3	1/3	230V	\$ 1,049.00	1	30
21050V3A	1/2	115V	\$ 1,049.00	1	31
21050V3	1/2	230V	\$ 1,049.00	1	31
21075V3	3/4	230V	\$ 1,372.00	1	37
21100V3	1	230V	\$ 1,549.00	1	40
21150V3	1 1/2	230V	\$ 1,956.00	1	50
21200V3	2	230V	\$ 2,804.00	1	54



10 GPM - K Series

Two Wire

21030K2A	1/3	115V	\$ 943.00	1	25
21030K2	1/3	230V	\$ 943.00	1	20
21050K2A	1/2	115V	\$ 943.00	1	26
21050K2	1/2	230V	\$ 943.00	1	25
21075K2	3/4	230V	\$ 1,181.00	1	29
21100K2	1	230V	\$ 1,277.00	1	33
21150K2	1 1/2	230V	\$ 1,865.00	1	45

Three Wire

21030K3A	1/3	115V	\$ 982.00	1	29
21030K3	1/3	230V	\$ 982.00	1	22
21050K3A	1/2	115V	\$ 982.00	1	30
21050K3	1/2	230V	\$ 982.00	1	28
21075K3	3/4	230V	\$ 1,196.00	1	32
21100K3	1	230V	\$ 1,269.00	1	36
21150K3	1 1/2	230V	\$ 1,872.00	1	48
21150K3Z	1 1/2	230V - 3 Ph	\$ 2,370.00	1	44
21200K3	2	230V	\$ 2,635.00	1	50
21200K3Z	2	230V - 3 Ph	\$ 2,744.00	1	52
21300K3	3	230V	\$ 3,733.00	1	62
21300K3Z	3	230V - 3 Ph	\$ 3,489.00	1	58
21500K3	5	230V	\$ 4,962.00	1	97

15 GPM - L Series

Two Wire

21030L2A	1/3	115V	\$ 1,189.00	1	26
21030L2	1/3	230V	\$ 1,189.00	1	26
21050L2A	1/2	115V	\$ 1,189.00	1	27
21050L2	1/2	230V	\$ 1,189.00	1	26
21075L2	3/4	230V	\$ 1,367.00	1	30
21100L2	1	230V	\$ 1,462.00	1	33
21150L2	1 1/2	230V	\$ 1,783.00	1	43

21000 Series - Silicon Bronze Submersible Pumps 4" - 1

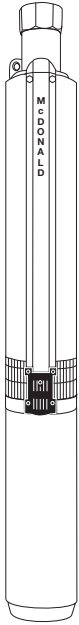


SIZE	LIST	CTN QTY	WT
15 GPM - L Series			
Three Wire			
21030L3A - 1/3 HP - 115V	\$ 1,230.00	1	29
21030L3 - 1/3 HP - 230V	\$ 1,230.00	1	29
21050L3A - 1/2 HP - 115V	\$ 1,230.00	1	29
21050L3 - 1/2 HP - 230V	\$ 1,230.00	1	30
21075L3 - 3/4 HP - 230V	\$ 1,384.00	1	33
21100L3 - 1 HP - 230V	\$ 1,454.00	1	37
21150L3 - 1 1/2 HP - 230V	\$ 1,788.00	1	46
21200L3 - 2 HP - 230V	\$ 2,158.00	1	51
21200L3Z - 2 HP - 230V 3 Ph	\$ 2,333.00	1	47
21300L3 - 3 HP - 230V	\$ 3,116.00	1	66
21300L3Z - 3 HP - 230V 3 Ph	\$ 2,931.00	1	60
21500L3 - 5 HP - 230V	\$ 4,923.00	1	100
21500L3Z - 5 HP - 230V 3 Ph	\$ 4,612.00	1	81
20 GPM - P Series			
Two Wire			
21050P2A - 1/2 HP - 115V	\$ 1,169.00	1	26
21050P2 - 1/2 HP - 230V	\$ 1,169.00	1	26
21075P2 - 3/4 HP - 230V	\$ 1,332.00	1	29
21100P2 - 1 HP - 230V	\$ 1,405.00	1	34
21150P2 - 1 1/2 HP - 230V	\$ 1,698.00	1	44
Three Wire			
21050P3A - 1/2 HP - 115V	\$ 1,208.00	1	29
21050P3 - 1/2 HP - 230V	\$ 1,208.00	1	29
21075P3 - 3/4 HP - 230V	\$ 1,347.00	1	32
21100P3 - 1 HP - 230V	\$ 1,398.00	1	37
21150P3 - 1 1/2 HP - 230V	\$ 1,706.00	1	46
21150P3Z - 1 1/2 HP - 230V - 3 Ph	\$ 2,163.00	1	48
21200P3 - 2 HP - 230V	\$ 2,465.00	1	50
21200P3Z - 2 HP - 230V - 3 Ph	\$ 2,573.00	1	47
21300P3 - 3 HP - 230V	\$ 3,452.00	1	65
21300P3Z - 3 HP - 230V - 3 Ph	\$ 3,210.00	1	55
21500P3 - 5 HP - 230V	\$ 4,600.00	1	101
21500P3Z - 5 HP - 230V - 3 Ph	\$ 4,270.00	1	81

SIZE	LIST	CTN QTY	WT
25 GPM - M Series			
Two Wire			
21050M2A - 1/2 HP - 115V	\$ 1,045.00	1	26
21050M2 - 1/2 HP - 230V	\$ 1,045.00	1	24
21075M2 - 3/4 HP - 230V	\$ 1,260.00	1	30
21100M2 - 1 HP - 230V	\$ 1,319.00	1	32
21150M2 - 1 1/2 HP - 230V	\$ 1,842.00	1	41
Three Wire			
21050M3A - 1/2 HP - 115V	\$ 1,086.00	1	29
21050M3 - 1/2 HP - 230V	\$ 1,086.00	1	29
21075M3 - 3/4 HP - 230V	\$ 1,273.00	1	31
21100M3 - 1 HP - 230V	\$ 1,308.00	1	35
21150M3 - 1 1/2 HP - 230V	\$ 1,849.00	1	44
21150M3Z - 1 1/2 HP - 230V 3 Ph	\$ 2,227.00	1	42
21200M3 - 2 HP - 230V	\$ 2,358.00	1	49
21200M3Z - 2 HP - 230V 3 Ph	\$ 2,467.00	1	46
21300M3 - 3 HP - 230V	\$ 3,372.00	1	63
21300M3Z - 3 HP - 230V 3 Ph	\$ 3,381.00	1	53
21500M3 - 5 HP - 230V	\$ 4,549.00	1	96
21500M3Z - 5 HP - 230V 3 Ph	\$ 4,132.00	1	75

- All single phase pumps can be ordered less control box by adding suffix **LB** to model number.
 - All three phase pumps can be ordered less starter by adding suffix **LS** to model number.
 - Deduct list price of control box or starter to determine list price.

1 - 21000 Series - Silicon Bronze Submersible Pumps 4"



E-Z PAC Constant Pressure Package Nema 3R

SIZE	LIST	CTN QTY	WT
21075VCP1EZ - 7 GPM	\$ 3,365.00	1	65
21100VCP1EZ - 7 GPM	\$ 3,641.00	1	65
21150VCP1EZ - 7 GPM	\$ 6,036.00	1	78
21075KCP1EZ - 10 GPM	\$ 3,198.00	1	58
21100KCP1EZ - 10 GPM	\$ 3,377.00	1	66
21150KCP1EZ - 10 GPM	\$ 5,903.00	1	72
21075LCP1EZ - 15 GPM	\$ 3,349.00	1	58
21100LCP1EZ - 15 GPM	\$ 3,537.00	1	66
21150LCP1EZ - 15 GPM	\$ 5,673.00	1	69
21075PCP1EZ - 20 GPM	\$ 3,371.00	1	59
21100PCP1EZ - 20 GPM	\$ 3,522.00	1	68
21150PCP1EZ - 20 GPM	\$ 5,695.00	1	76
21075MCP1EZ - 25 GPM	\$ 3,286.00	1	56
21100MCP1EZ - 25 GPM	\$ 3,417.00	1	65
21150MCP1EZ - 25 GPM	\$ 5,760.00	1	75

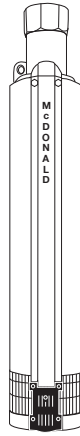
Nema 4

21075VCP4EZ - 7 GPM	\$ 3,792.00	1	63
21100VCP4EZ - 7 GPM	\$ 4,267.00	1	81
21150VCP4EZ - 7 GPM	\$ 6,505.00	1	95
21075KCP4EZ - 10 GPM	\$ 3,625.00	1	68
21100KCP4EZ - 10 GPM	\$ 4,000.00	1	76
21150KCP4EZ - 10 GPM	\$ 6,372.00	1	85
21075LCP4EZ - 15 GPM	\$ 3,774.00	1	69
21100LCP4EZ - 15 GPM	\$ 4,161.00	1	78
21150LCP4EZ - 15 GPM	\$ 6,142.00	1	84
21075PCP4EZ - 20 GPM	\$ 3,797.00	1	67
21100PCP4EZ - 20 GPM	\$ 4,146.00	1	78
21150PCP4EZ - 20 GPM	\$ 6,165.00	1	87
21075MCP4EZ - 25 GPM	\$ 3,711.00	1	70
21100MCP4EZ - 25 GPM	\$ 4,042.00	1	76
21150MCP4EZ - 25 GPM	\$ 6,229.00	1	86

CP300 Constant Pressure System

21300K3CP - 10 GPM, 3 HP-230V	\$ 11,054.00	1	109
21300L3CP - 15 GPM, 3 HP-230V	\$ 10,496.00	1	111
21300P3CP - 20 GPM, 3 HP-230V	\$ 10,774.00	1	112
21300M3CP - 25 GPM, 3 HP-230V	\$ 10,697.00	1	106

4" Silicon Bronze Pump Ends



5 GPM - J Series

21030J - 1/3 HP	\$ 547.00	1	10
21050J - 1/2 HP	\$ 547.00	1	11
21075J - 3/4 HP	\$ 733.00	1	13
21100J - 1 HP	\$ 1,037.00	1	15
21150J - 1 1/2 HP	\$ 1,223.00	1	18

7 GPM - V Series

21030V - 1/3 HP	\$ 383.00	1	9
21050V - 1/2 HP	\$ 383.00	1	10
21075V - 3/4 HP	\$ 609.00	1	13
21100V - 1 HP	\$ 755.00	1	11
21150V - 1 1/2 HP	\$ 1,064.00	1	16
21200V - 2 HP	\$ 1,406.00	1	18

10 GPM - K Series

21030K - 1/3 HP	\$ 327.00	1	7
21050K - 1/2 HP	\$ 327.00	1	8
21075K - 3/4 HP	\$ 441.00	1	9
21100K - 1 HP	\$ 488.00	1	10
21150K - 1 1/2 HP	\$ 932.00	1	13
21200K - 2 HP	\$ 1,238.00	1	15
21300K - 3 HP	\$ 1,623.00	1	17
21500K - 5 HP	\$ 2,026.00	1	19

15 GPM - L Series

21030L - 1/3 HP	\$ 549.00	1	8
21050L - 1/2 HP	\$ 549.00	1	9
21075L - 3/4 HP	\$ 591.00	1	10
21100L - 1 HP	\$ 650.00	1	11
21150L - 1 1/2 HP	\$ 702.00	1	11
21200L - 2 HP	\$ 828.00	1	13
21300L - 3 HP	\$ 1,064.00	1	17
21500L - 5 HP	\$ 1,986.00	1	24

20 GPM - P Series

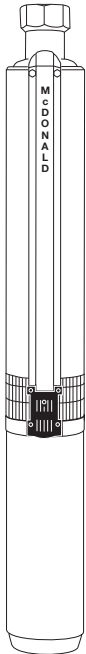
21050P - 1/2 HP	\$ 530.00	1	7
21075P - 3/4 HP	\$ 614.00	1	8
21100P - 1 HP	\$ 634.00	1	9
21150P - 1 1/2 HP	\$ 724.00	1	11
21200P - 2 HP	\$ 1,067.00	1	12
21300P - 3 HP	\$ 1,342.00	1	16
21500P - 5 HP	\$ 1,647.00	1	24

25 GPM - M Series

21050M - 1/2 HP	\$ 450.00	1	9
21075M - 3/4 HP	\$ 529.00	1	9
21100M - 1 HP	\$ 530.00	1	10
21150M - 1 1/2 HP	\$ 789.00	1	11
21200M - 2 HP	\$ 962.00	1	11
21300M - 3 HP	\$ 1,265.00	1	14
21500M - 5 HP	\$ 1,508.00	1	19

- All single phase pumps can be ordered less control box by adding suffix **LB** to model number.
- All three phase pumps can be ordered less starter by adding suffix **LS** to model number.
- Deduct list price of control box or starter to determine list price.

23000 Series - Stainless Steel Submersible Pumps 4" - 1



SIZE	LIST	CTN QTY	WT
5 GPM - J Series			
Two Wire			
23030J2A - 1/3 HP - 115V	\$ 1,164.00	1	26
23030J2 - 1/3 HP - 230V	\$ 1,164.00	1	27
23050J2A - 1/2 HP - 115V	\$ 1,164.00	1	28
23050J2 - 1/2 HP - 230V	\$ 1,164.00	1	28
23075J2 - 3/4 HP - 230V	\$ 1,480.00	1	33
23100J2 - 1 HP - 230V	\$ 1,711.00	1	37
23150J2 - 1 1/2 HP - 230V	\$ 2,112.00	1	49

Three Wire			
23030J3A - 1/3 HP - 115V	\$ 1,204.00	1	28
23030J3 - 1/3 HP - 230V	\$ 1,204.00	1	27
23050J3A - 1/2 HP - 115V	\$ 1,204.00	1	32
23050J3 - 1/2 HP - 230V	\$ 1,204.00	1	31
23075J3 - 3/4 HP - 230V	\$ 1,497.00	1	35
23100J3 - 1 HP - 230V	\$ 1,702.00	1	41
23150J3 - 1 1/2 HP - 230V	\$ 2,116.00	1	31
23150J3Z - 1 1/2 HP - 230V 3 Ph	\$ 2,663.00	1	42

7 GPM - V Series			
Two Wire			
23030V2A - 1/3 HP - 115V	\$ 980.00	1	26
23030V2 - 1/3 HP - 230V	\$ 980.00	1	27
23050V2A - 1/2 HP - 115V	\$ 980.00	1	26
23050V2 - 1/2 HP - 230V	\$ 980.00	1	27
23075V2 - 3/4 HP - 230V	\$ 1,360.00	1	30
23100V2 - 1 HP - 230V	\$ 1,557.00	1	34
23150V2 - 1 1/2 HP - 230V	\$ 1,965.00	1	45

Three Wire			
23030V3A - 1/3 HP - 115V	\$ 1,049.00	1	27
23030V3 - 1/3 HP - 230V	\$ 1,049.00	1	28
23050V3A - 1/2 HP - 115V	\$ 1,049.00	1	24
23050V3 - 1/2 HP - 230V	\$ 1,049.00	1	29
23075V3 - 3/4 HP - 230V	\$ 1,372.00	1	33
23100V3 - 1 HP - 230V	\$ 1,549.00	1	37
23150V3 - 1 1/2 HP - 230V	\$ 1,956.00	1	48
23200V3 - 2 HP - 230V	\$ 2,804.00	1	50

10 GPM - K Series			
Two Wire			
23030K2A - 1/3 HP - 115V	\$ 943.00	1	24
23030K2 - 1/3 HP - 230V	\$ 943.00	1	24
23050K2A - 1/2 HP - 115V	\$ 943.00	1	25
23050K2 - 1/2 HP - 230V	\$ 943.00	1	25
23075K2 - 3/4 HP - 230V	\$ 1,181.00	1	28
23100K2 - 1 HP - 230V	\$ 1,277.00	1	32
23150K2 - 1 1/2 HP - 230V	\$ 1,865.00	1	43

Three Wire			
23030K3A - 1/3 HP - 115V	\$ 982.00	1	21
23030K3 - 1/3 HP - 230V	\$ 982.00	1	21
23050K3A - 1/2 HP - 115V	\$ 982.00	1	28
23050K3 - 1/2 HP - 230V	\$ 982.00	1	28
23075K3 - 3/4 HP - 230V	\$ 1,196.00	1	31
23100K3 - 1 HP - 230V	\$ 1,269.00	1	35
23150K3 - 1 1/2 HP - 230V	\$ 1,872.00	1	44
23150K3Z - 1 1/2 HP - 230V - 3 Ph	\$ 2,370.00	1	42
23200K3 - 2 HP - 230V	\$ 2,635.00	1	52
23200K3Z - 2 HP - 230V - 3 Ph	\$ 2,744.00	1	50
23300K3 - 3 HP - 230V	\$ 3,733.00	1	64
23300K3Z - 3 HP - 230V - 3 Ph	\$ 3,489.00	1	58
23500K3 - 5 HP - 230V	\$ 4,962.00	1	95
23500K3Z - 5 HP - 230V - 3 Ph	\$ 4,651.00	1	77

SIZE	LIST	CTN QTY	WT
15 GPM - L Series			
Two Wire			
23030L2A - 1/3 HP - 115V	\$ 1,189.00	1	24
23030L2 - 1/3 HP - 230V	\$ 1,189.00	1	24
23050L2A - 1/2 HP - 115V	\$ 1,189.00	1	25
23050L2 - 1/2 HP - 230V	\$ 1,189.00	1	24
23075L2 - 3/4 HP - 230V	\$ 1,367.00	1	28
23100L2 - 1 HP - 230V	\$ 1,462.00	1	32
23150L2 - 1 1/2 HP - 230V	\$ 1,783.00	1	41

Three Wire			
23030L3A - 1/3 HP - 115V	\$ 1,230.00	1	27
23030L3 - 1/3 HP - 230V	\$ 1,230.00	1	27
23050L3A - 1/2 HP - 115V	\$ 1,230.00	1	27
23050L3 - 1/2 HP - 230V	\$ 1,230.00	1	28
23075L3 - 3/4 HP - 230V	\$ 1,384.00	1	31
23100L3 - 1 HP - 230V	\$ 1,454.00	1	35
23150L3 - 1 1/2 HP - 230V	\$ 1,788.00	1	44
23200L3 - 2 HP - 230V	\$ 2,158.00	1	50
23200L3Z - 2 HP - 230V - 3 Ph	\$ 2,333.00	1	48
23300L3 - 3 HP - 230V	\$ 3,116.00	1	64
23300L3Z - 3 HP - 230V - 3 Ph	\$ 2,931.00	1	57
23500L3 - 5 HP - 230V	\$ 4,923.00	1	100
23500L3Z - 5 HP - 230V - 3 Ph	\$ 4,612.00	1	81

20 GPM - P Series			
Two Wire			
23050P2A - 1/2 HP - 230V	\$ 1,169.00	1	25
23050P2 - 1/2 HP - 230V	\$ 1,169.00	1	24
23075P2 - 3/4 HP - 230V	\$ 1,332.00	1	28
23100P2 - 1 HP - 230V	\$ 1,405.00	1	32
23150P2 - 1 1/2 HP - 230V	\$ 1,698.00	1	41

Three Wire			
23050P3A - 1/2 HP - 230V	\$ 1,208.00	1	27
23050P3 - 1/2 HP - 230V	\$ 1,208.00	1	27
23075P3 - 3/4 HP - 230V	\$ 1,347.00	1	30
23100P3 - 1 HP - 230V	\$ 1,398.00	1	34
23150P3 - 1 1/2 HP - 230V	\$ 1,706.00	1	43
23150P3Z - 1 1/2 HP - 230V - 3 Ph	\$ 2,163.00	1	41
23200P3 - 2 HP - 230V	\$ 2,465.00	1	49
23200P3Z - 2 HP - 230V - 3 Ph	\$ 2,573.00	1	45
23300P3 - 3 HP - 230V	\$ 3,452.00	1	63
23300P3Z - 3 HP - 230V - 3 Ph	\$ 3,210.00	1	53
23500P3 - 5 HP - 230V	\$ 4,600.00	1	99
23500P3Z - 5 HP - 230V - 3 Ph	\$ 4,270.00	1	78

25 GPM - M Series			
Two Wire			
23050M2A - 1/2 HP - 115V	\$ 1,045.00	1	24
23050M2 - 1/2 HP - 230V	\$ 1,045.00	1	24
23075M2 - 3/4 HP - 230V	\$ 1,260.00	1	27
23100M2 - 1 HP - 230V	\$ 1,319.00	1	31
23150M2 - 1 1/2 HP - 230V	\$ 1,842.00	1	40

Three Wire			
23050M3A - 1/2 HP 115V	\$ 1,086.00	1	27
23050M3 - 1/2 HP 230V	\$ 1,086.00	1	27
23075M3 - 3/4 HP 230V	\$ 1,273.00	1	30
23100M3 - 1 HP - 230V	\$ 1,308.00	1	33
23150M3 - 1 1/2 HP - 230V	\$ 1,849.00	1	42
23150M3Z - 1 1/2 HP - 230V - 3 Ph	\$ 2,227.00	1	40
23150M3Y - 1 1/2 HP - 460V - 3 Ph	\$ 2,227.00	1	38
23200M3 - 2 HP - 230V	\$ 2,358.00	1	48
23200M3Z - 2 HP - 230V - 3 Ph	\$ 2,467.00	1	44
23200M3Y - 2 HP - 460V - 3 Ph	\$ 2,467.00	1	44
23300M3 - 3 HP - 230V	\$ 3,373.00	1	60
23300M3Z - 3 HP - 230V - 3 Ph	\$ 3,381.00	1	50
23300M3Y - 3 HP - 460V - 3 Ph	\$ 3,381.00	1	51
23500M3 - 5 HP - 230V	\$ 4,549.00	1	95
23500M3Z - 5 HP - 230V - 3 Ph	\$ 4,132.00	1	75
23500M3Y - 5 HP - 460V - 3 Ph	\$ 4,132.00	1	73

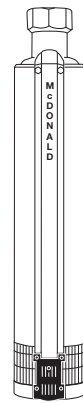
1 - 23000 Series - Stainless Steel Submersible Pumps 4"

SIZE	LIST	CTN QTY	WT
E-Z PAC Constant Pressure Package			
Nema 3R			
23075VCP1EZ - 7 GPM	\$ 3,365.00	1	59
23100VCP1EZ - 7 GPM	\$ 3,641.00	1	68
23150VCP1EZ - 7 GPM	\$ 6,036.00	1	75
23075KCP1EZ - 10 GPM	\$ 3,198.00	1	57
23100KCP1EZ - 10 GPM	\$ 3,377.00	1	64
23150KCP1EZ - 10 GPM	\$ 5,903.00	1	70
23075LCP1EZ - 15 GPM	\$ 3,349.00	1	56
23100LCP1EZ - 15 GPM	\$ 3,537.00	1	63
23150LCP1EZ - 15 GPM	\$ 5,673.00	1	72
23075PCP1EZ - 20 GPM	\$ 3,371.00	1	55
23100PCP1EZ - 20 GPM	\$ 3,522.00	1	64
23150PCP1EZ - 20 GPM	\$ 5,695.00	1	72
23075MCP1EZ - 25 GPM	\$ 3,286.00	1	57
23100MCP1EZ - 25 GPM	\$ 3,417.00	1	62
23150MCP1EZ - 25 GPM	\$ 5,760.00	1	70

Nema 4			
23075VCP4EZ - 7 GPM	\$ 3,792.00	1	61
23100VCP4EZ - 7 GPM	\$ 4,267.00	1	80
23150VCP4EZ - 7 GPM	\$ 6,505.00	1	91
23075KCP4EZ - 10 GPM	\$ 3,625.00	1	67
23100KCP4EZ - 10 GPM	\$ 4,000.00	1	73
23150KCP4EZ - 10 GPM	\$ 6,372.00	1	83
23075LCP4EZ - 15 GPM	\$ 3,774.00	1	67
23100LCP4EZ - 15 GPM	\$ 4,161.00	1	75
23150LCP4EZ - 15 GPM	\$ 6,142.00	1	82
23075PCP4EZ - 20 GPM	\$ 3,797.00	1	64
23100PCP4EZ - 20 GPM	\$ 4,146.00	1	75
23150PCP4EZ - 20 GPM	\$ 6,165.00	1	84
23075MCP4EZ - 25 GPM	\$ 3,711.00	1	59
23100MCP4EZ - 25 GPM	\$ 4,042.00	1	75
23150MCP4EZ - 25 GPM	\$ 6,229.00	1	80

CP300 Constant Pressure System			
23300K3CP - 10 GPM, 3 HP-230V	\$ 11,054.00	1	109
23300L3CP - 15 GPM, 3 HP-230V	\$ 10,496.00	1	108
23300P3CP - 20 GPM, 3 HP-230V	\$ 10,774.00	1	108
23300M3CP - 25 GPM, 3 HP-230V	\$ 10,697.00	1	102

4" Stainless Steel Pump Ends



5 GPM - J Series

23030J - 1/3 HP	\$ 547.00	1	9
23050J - 1/2 HP	\$ 547.00	1	10
23075J - 3/4 HP	\$ 733.00	1	12
23100J - 1 HP	\$ 1,037.00	1	13
23150J - 1 1/2 HP	\$ 1,223.00	1	18

7 GPM - V Series

23030V - 1/3 HP	\$ 383.00	1	8
23050V - 1/2 HP	\$ 383.00	1	9
23075V - 3/4 HP	\$ 609.00	1	10
23100V - 1 HP	\$ 755.00	1	11
23150V - 1 1/2 HP	\$ 1,064.00	1	12
23200V - 2 HP	\$ 1,406.00	1	16

10 GPM - K Series

23030K-1/3 HP	\$ 327.00	1	7
23050K-1/2 HP	\$ 327.00	1	7
23075K-3/4 HP	\$ 441.00	1	8
23100K-1 HP	\$ 488.00	1	9
23150K-1 1/2 HP	\$ 932.00	1	11
23200K-2 HP	\$ 1,238.00	1	14
23300K-3 HP	\$ 1,623.00	1	16
23500K-5 HP	\$ 2,026.00	1	18

15 GPM - L Series

23030L - 1/3 HP	\$ 549.00	1	7
23050L - 1/2 HP	\$ 549.00	1	7
23075L - 3/4 HP	\$ 591.00	1	8
23100L - 1 HP	\$ 650.00	1	9
23150L - 1 1/2 HP	\$ 702.00	1	10
23200L - 2 HP	\$ 828.00	1	12
23300L - 3 HP	\$ 1,064.00	1	15
23500L - 5 HP	\$ 1,986.00	1	22

20 GPM - P Series

23050P - 1/2 HP	\$ 530.00	1	6
23075P - 3/4 HP	\$ 614.00	1	8
23100P - 1 HP	\$ 634.00	1	9
23150P - 1 1/2 HP	\$ 724.00	1	10
23200P - 2 HP	\$ 1,067.00	1	11
23300P - 3 HP	\$ 1,342.00	1	14
23500P - 5 HP	\$ 1,647.00	1	22

25 GPM - M Series

23050M - 1/2 HP	\$ 450.00	1	7
23075M - 3/4 HP	\$ 529.00	1	7
23100M - 1 HP	\$ 530.00	1	8
23150M - 1 1/2 HP	\$ 789.00	1	9
23200M - 2 HP	\$ 962.00	1	10
23300M - 3 HP	\$ 1,265.00	1	11
23500M - 5 HP	\$ 1,508.00	1	18

22000 Series - Thermoplastic Submersible Pumps 4" - 1



SIZE	LIST	CTN QTY	WT
5 GPM - J Series			
Plastic - Two Wire			
22050J2 - 1/2 HP - 230V	\$ 1,025.00	1	25
22075J2 - 3/4 HP - 230V	\$ 1,248.00	1	30
22100J2 - 1 HP - 230V	\$ 1,398.00	1	35
Plastic - Three Wire			
22050J3 - 1/2 HP - 230V	\$ 1,065.00	1	29
22075J3 - 3/4 HP - 230V	\$ 1,262.00	1	33
22100J3 - 1 HP - 230V	\$ 1,391.00	1	38

SIZE	LIST	CTN QTY	WT
7 GPM - V Series			
Plastic - Two Wire			
22050V2 - 1/2 HP, 230V	\$ 1,010.00	1	24
22050V2A - 1/2 HP, 115V	\$ 1,010.00	1	25
22075V2 - 3/4 HP, 230V	\$ 1,235.00	1	28
22100V2 - 1 HP, 230V	\$ 1,377.00	1	31
22150V2 - 1 1/2 HP, 230V	\$ 1,857.00	1	43
Plastic - Three Wire			
22050V3 - 1/2 HP, 230V	\$ 1,051.00	1	26
22050V3A - 1/2 HP, 115V	\$ 1,051.00	1	28
22075V3 - 3/4 HP, 230V	\$ 1,252.00	1	30
22100V3 - 1 HP, 230V	\$ 1,369.00	1	34
22150V3 - 1 1/2 HP, 230V	\$ 1,861.00	1	47

SIZE	LIST	CTN QTY	WT
10 GPM - K Series			
Plastic - Two Wire			
22050K2A - 1/2 HP - 115V	\$ 870.00	1	22
22050K2 - 1/2 HP - 230V	\$ 870.00	1	23
22075K2 - 3/4 HP - 230V	\$ 1,093.00	1	27
22100K2 - 1 HP - 230V	\$ 1,233.00	1	30
22150K2 - 1 1/2 HP - 230V	\$ 1,723.00	1	41
Plastic - Three Wire			
22050K3A - 1/2 HP - 115V	\$ 910.00	1	27
22050K3 - 1/2 HP - 230V	\$ 910.00	1	26
22075K3 - 3/4 HP - 230V	\$ 1,108.00	1	30
22100K3 - 1 HP - 230V	\$ 1,225.00	1	33
22150K3 - 1 1/2 HP - 230V	\$ 1,730.00	1	44

SIZE	LIST	CTN QTY	WT
15 GPM - L Series			
Plastic - Two Wire			
22050L2A - 1/2 HP - 115V	\$ 1,024.00	1	23
22050L2 - 1/2 HP - 230V	\$ 1,024.00	1	23
22075L2 - 3/4 HP - 230V	\$ 1,203.00	1	26
22100L2 - 1 HP - 230V	\$ 1,352.00	1	30
22150L2 - 1 1/2 HP - 230V	\$ 1,637.00	1	42
Plastic - Three Wire			
22050L3A - 1/2 HP - 115V	\$ 1,065.00	1	27
22050L3 - 1/2 HP - 230V	\$ 1,065.00	1	26
22075L3 - 3/4 HP - 230V	\$ 1,217.00	1	30
22100L3 - 1 HP - 230V	\$ 1,352.00	1	33
22150L3 - 1 1/2 HP - 230V	\$ 1,634.00	1	42

SIZE	LIST	CTN QTY	WT
20 GPM - P Series			
Plastic - Two Wire			
22050P2A - 1/2 HP - 115V	\$ 1,040.00	1	23
22050P2 - 1/2 HP - 230V	\$ 1,040.00	1	23
22075P2 - 3/4 HP - 230V	\$ 1,099.00	1	27
22100P2 - 1 HP - 230V	\$ 1,187.00	1	29
22150P2 - 1 1/2 HP - 230V	\$ 1,525.00	1	39

SIZE	LIST	CTN QTY	WT
20 GPM - P Series			
Plastic - Three Wire			
22050P3A - 1/2 HP - 115V	\$ 991.00	1	26
22050P3 - 1/2 HP - 230V	\$ 991.00	1	26
22075P3 - 3/4 HP - 230V	\$ 1,115.00	1	29
22100P3 - 1 HP - 230V	\$ 1,179.00	1	32
22150P3 - 1 1/2 HP - 230V	\$ 1,532.00	1	42

SIZE	LIST	CTN QTY	WT
25 GPM - M Series			
Plastic - Two Wire			
22050M2A - 1/2 HP - 230V	\$ 1,011.00	1	23
22050M2 - 1/2 HP - 230V	\$ 1,011.00	1	22
22075M2 - 3/4 HP - 230V	\$ 1,136.00	1	26
22100M2 - 1 HP - 230V	\$ 1,226.00	1	29
22150M2 - 1 1/2 HP - 230V	\$ 1,535.00	1	38
Plastic - Three Wire			
22050M3A - 1/2 HP - 230V	\$ 1,061.00	1	26
22050M3 - 1/2 HP - 230V	\$ 1,061.00	1	25
22075M3 - 3/4 HP - 230V	\$ 1,151.00	1	29
22100M3 - 1 HP - 230V	\$ 1,238.00	1	32
22150M3 - 1 1/2 HP - 230V	\$ 1,626.00	1	42

4" Thermoplastic Pump Ends



SIZE	LIST	CTN QTY	WT
5 GPM - J Series			
22050J - 1/2 HP	\$ 365.00	1	7
22075J - 3/4 HP	\$ 449.00	1	11
22100J - 1 HP	\$ 543.00	1	13

SIZE	LIST	CTN QTY	WT
7 GPM - V Series			
22050V - 1/2 HP	\$ 349.00	1	6
22075V - 3/4 HP	\$ 439.00	1	9
22100V - 1 HP	\$ 521.00	1	9
22150V - 1 1/2 HP	\$ 740.00	1	13

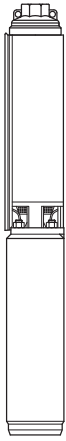
SIZE	LIST	CTN QTY	WT
10 GPM - K Series			
22050K - 1/2 HP	\$ 210.00	1	6
22075K - 3/4 HP	\$ 296.00	1	6
22100K - 1 HP	\$ 378.00	1	7
22150K - 1 1/2 HP	\$ 611.00	1	10

SIZE	LIST	CTN QTY	WT
15 GPM - L Series			
22050L - 1/2 HP	\$ 378.00	1	6
22075L - 3/4 HP	\$ 419.00	1	6
22100L - 1 HP	\$ 525.00	1	8
22150L - 1 1/2 HP	\$ 587.00	1	9

SIZE	LIST	CTN QTY	WT
20 GPM - P Series			
22050P - 1/2 HP	\$ 291.00	1	5
22075P - 3/4 HP	\$ 302.00	1	6
22100P - 1 HP	\$ 384.00	1	7
22150P - 1 1/2 HP	\$ 411.00	1	8

SIZE	LIST	CTN QTY	WT
25 GPM - M Series			
22050M - 1/2 HP	\$ 365.00	1	5
22075M - 3/4 HP	\$ 404.00	1	5
22100M - 1 HP	\$ 447.00	1	6
22150M - 1 1/2 HP	\$ 510.00	1	7

1 - 24000 Series - Stainless Steel Submersible Pumps 4"



SIZE	LIST	CTN QTY	WT
5 GPM - J Series			
Two Wire			
24050J2 - 1/2 HP, 230V.....	\$ 1,057.00	1	26
24050J2A - 1/2 HP, 115V.....	\$ 1,057.00	1	26
24075J2 - 3/4 HP, 230V.....	\$ 1,327.00	1	30
24100J2 - 1 HP, 230V.....	\$ 1,597.00	1	35
24150J2 - 1 1/2 HP, 230V.....	\$ 1,995.00	1	48

Three Wire			
24050J3 - 1/2 HP, 230V.....	\$ 1,096.00	1	30
24050J3A - 1/2 HP, 115V.....	\$ 1,096.00	1	30
24075J3 - 3/4 HP, 230V.....	\$ 1,340.00	1	34
24100J3 - 1 HP, 230V.....	\$ 1,587.00	1	38
24150J3 - 1 1/2 HP, 230V.....	\$ 1,963.00	1	44
24150J3Z - 1 1/2 HP, 230V, 3 PH.....	\$ 2,302.00	1	42

7 GPM - V Series

Two Wire			
24050V2 - 1/2 HP, 230V.....	\$ 943.00	1	26
24050V2A - 1/2 HP, 115V.....	\$ 943.00	1	26
24075V2 - 3/4 HP, 230V.....	\$ 1,238.00	1	30
24100V2 - 1 HP, 230V.....	\$ 1,399.00	1	34
24150V2 - 1 1/2 HP, 230V.....	\$ 1,884.00	1	45

Three Wire			
24050V3 - 1/2 HP, 230V.....	\$ 982.00	1	30
24050V3A - 1/2 HP, 115V.....	\$ 982.00	1	30
24075V3 - 3/4 HP, 230V.....	\$ 1,254.00	1	33
24100V3 - 1 HP, 230V.....	\$ 1,390.00	1	37
24150V3 - 1 1/2 HP, 230V.....	\$ 1,852.00	1	43
24200V3 - 2 HP, 230V.....	\$ 2,392.00	1	51
24200V3Z - 2 HP, 230V, 3 PH.....	\$ 2,453.00	1	49

10 GPM - K Series

Two Wire			
24050K2 - 1/2 HP, 230V.....	\$ 903.00	1	25
24050K2A - 1/2 HP, 115V.....	\$ 903.00	1	25
24075K2 - 3/4 HP, 230V.....	\$ 1,121.00	1	29
24100K2 - 1 HP, 230V.....	\$ 1,211.00	1	32
24150K2 - 1 1/2 HP, 230V.....	\$ 1,790.00	1	41

Three Wire			
24050K3 - 1/2 HP, 230V.....	\$ 943.00	1	29
24050K3A - 1/2 HP, 115V.....	\$ 943.00	1	29
24075K3 - 3/4 HP, 230V.....	\$ 1,135.00	1	32
24100K3 - 1 HP, 230V.....	\$ 1,201.00	1	35
24150K3 - 1 1/2 HP, 230V.....	\$ 1,758.00	1	41
24150K3Z - 1 1/2 HP, 230V, 3PH.....	\$ 2,079.00	1	39
24200K3 - 2 HP, 230V.....	\$ 2,274.00	1	47
24200K3Z - 2 HP, 230V, 3 PH.....	\$ 2,382.00	1	44
24300K3 - 3 HP, 230V.....	\$ 3,224.00	1	58
24300K3Z - 3 HP, 230V, 3 PH.....	\$ 3,012.00	1	54
24500K3 - 5 HP, 230V.....	\$ 4,436.00	1	93
24500K3Z - 5 HP, 230V, 3 PH.....	\$ 4,057.00	1	80

15 GPM - L Series

Two Wire			
24050L2 - 1/2 HP, 230V.....	\$ 1,059.00	1	24

24050L2A - 1/2 HP, 115V.....	\$ 1,059.00	1	24
24075L2 - 3/4 HP, 230V.....	\$ 1,226.00	1	28
24100L2 - 1 HP, 230V.....	\$ 1,325.00	1	32
24150L2 - 1 1/2 HP, 230V.....	\$ 1,628.00	1	39

15 GPM - P Series - continued

Three Wire			
24050L3 - 1/2 HP, 230V.....	\$ 1,098.00	1	28
24050L3A - 1/2 HP, 115V.....	\$ 1,098.00	1	28
24075L3 - 3/4 HP, 230V.....	\$ 1,239.00	1	31
24100L3 - 1 HP, 230V.....	\$ 1,315.00	1	35
24150L3 - 1 1/2 HP, 230V.....	\$ 1,596.00	1	39
24200L3 - 2 HP, 230V.....	\$ 1,984.00	1	39
24200L3Z - 2 HP, 230V, 3 PH.....	\$ 2,091.00	1	43
24300L3 - 3 HP, 230V.....	\$ 2,832.00	1	56
24300L3Z - 3 HP, 230V, 3 PH.....	\$ 2,619.00	1	52
24500L3 - 5 HP, 230V.....	\$ 4,410.00	1	91
24500L3Z - 5 HP, 230V, 3 PH.....	\$ 4,031.00	1	78

20 GPM - P Series

Two Wire			
24050P2 - 1/2 HP, 230V.....	\$ 1,045.00	1	25
24050P2A - 1/2 HP, 115V.....	\$ 1,045.00	1	24
24075P2 - 3/4 HP, 230V.....	\$ 1,241.00	1	28
24100P2 - 1 HP, 230V.....	\$ 1,314.00	1	31
24150P2 - 1 1/2 HP, 230V.....	\$ 1,644.00	1	39

Three Wire			
24050P3 - 1/2 HP, 230V.....	\$ 1,085.00	1	28
24050P3A - 1/2 HP, 115V.....	\$ 1,085.00	1	28
24075P3 - 3/4 HP, 230V.....	\$ 1,257.00	1	31
24100P3 - 1 HP, 230V.....	\$ 1,304.00	1	34
24150P3 - 1 1/2 HP, 230V.....	\$ 1,612.00	1	42
24150P3Z - 1 1/2 HP, 230V, 3 PH.....	\$ 1,951.00	1	37
24200P3 - 2 HP, 230V.....	\$ 2,152.00	1	46
24200P3Z - 2 HP, 230V, 3 PH.....	\$ 2,259.00	1	42
24300P3 - 3 HP, 230V.....	\$ 3,028.00	1	55
24300P3Z - 3 HP, 230V, 3 PH.....	\$ 2,816.00	1	51
24500P3 - 5 HP, 230V.....	\$ 4,085.00	1	90
24500P3Z - 5 HP, 230V, 3 PH.....	\$ 3,791.00	1	77

25 GPM - M Series

Two Wire			
24100M2 - 1 HP, 230V.....	\$ 1,239.00	1	31
24150M2 - 1 1/2 HP, 230V.....	\$ 1,689.00	1	39

Three Wire			
24100M3 - 1 HP, 230V.....	\$ 1,230.00	1	34
24150M3 - 1 1/2 HP, 230V.....	\$ 1,658.00	1	39
24150M3Z - 1 1/2 HP, 230V, 3 PH.....	\$ 1,997.00	1	37
24200M3 - 2 HP, 230V.....	\$ 2,080.00	1	45
24200M3Z - 2 HP, 230V, 3 PH.....	\$ 2,187.00	1	42
24300M3 - 3 HP, 230V.....	\$ 2,973.00	1	55
24300M3Z - 3 HP, 230V, 3 PH.....	\$ 2,761.00	1	51
24500M3 - 5 HP, 230V.....	\$ 3,986.00	1	90
24500M3Z - 5 HP, 230V, 3 PH.....	\$ 3,693.00	1	77

24000 Series - Stainless Steel Submersible Pumps 4" - 1

SIZE	LIST	CTN QTY	WT
E-Z PAC Constant Pressure Package			
Nema 3R			
24075VCP1EZ - 7 GPM.....	\$ 3,029.00	1	59
24100VCP1EZ - 7 GPM.....	\$ 3,278.00	1	68
24150VCP1EZ - 7 GPM.....	\$ 5,432.00	1	75
24075KCP1EZ - 10 GPM.....	\$ 2,879.00	1	57
24100KCP1EZ - 10 GPM.....	\$ 3,039.00	1	64
24150KCP1EZ - 10 GPM.....	\$ 5,313.00	1	70
24075LCP1EZ - 15 GPM.....	\$ 3,014.00	1	56
24100LCP1EZ - 15 GPM.....	\$ 3,184.00	1	63
24150LCP1EZ - 15 GPM.....	\$ 5,107.00	1	72
24075PCP1EZ - 20 GPM.....	\$ 3,035.00	1	55
24100PCP1EZ - 20 GPM.....	\$ 3,170.00	1	64
24150PCP1EZ - 20 GPM.....	\$ 5,126.00	1	72
24100MCP1EZ - 25 GPM.....	\$ 3,075.00	1	57
24150MCP1EZ - 25 GPM.....	\$ 5,184.00	1	70
24100RCP1EZ - 35 GPM.....	\$ 3,747.00	1	61
24150RCP1EZ - 35 GPM.....	\$ 5,857.00	1	72
24150GCP1EZ - 40 GPM.....	\$ 6,037.00	1	70
24150SCP1EZ - 55 GPM.....	\$ 6,162.00	1	72
24150QCP1EZ - 60 GPM.....	\$ 5,957.00	1	71

SIZE	LIST	CTN QTY	WT
Nema 4			
24075VCP4EZ - 7 GPM.....	\$ 3,414.00	1	61
24100VCP4EZ - 7 GPM.....	\$ 3,840.00	1	80
24150VCP4EZ - 7 GPM.....	\$ 5,855.00	1	91
24075KCP4EZ - 10 GPM.....	\$ 3,263.00	1	67
24100KCP4EZ - 10 GPM.....	\$ 3,600.00	1	73
24150KCP4EZ - 10 GPM.....	\$ 5,735.00	1	83
24075LCP4EZ - 15 GPM.....	\$ 3,397.00	1	67
24100LCP4EZ - 15 GPM.....	\$ 3,745.00	1	75
24150LCP4EZ - 15 GPM.....	\$ 5,528.00	1	82
24075PCP4EZ - 20 GPM.....	\$ 3,417.00	1	64
24100PCP4EZ - 20 GPM.....	\$ 3,732.00	1	75
24150PCP4EZ - 20 GPM.....	\$ 5,548.00	1	84
24100MCP4EZ - 25 GPM.....	\$ 3,637.00	1	75
24150MCP4EZ - 25 GPM.....	\$ 5,607.00	1	80
24100RCP4EZ - 35 GPM.....	\$ 4,373.00	1	78
24150RCP4EZ - 35 GPM.....	\$ 6,325.00	1	81
24150GCP4EZ - 40 GPM.....	\$ 6,506.00	1	79
24150SCP4EZ - 55 GPM.....	\$ 6,631.00	1	82
24150QCP4EZ - 60 GPM.....	\$ 6,425.00	1	81

CP300 Constant Pressure System

24300R3CP - 35 GPM, 3 HP-230V....	\$ 10,766.00	1	101
24300G3CP - 40 GPM, 3 HP-230V....	\$ 10,951.00	1	97
24300S3CP - 55 GPM, 3 HP-230V....	\$ 10,930.00	1	102
24300Q3CP - 60 GPM, 3 HP-230V....	\$ 10,830.00	1	100
24300T3CP - 80 GPM, 3 HP-230V....	\$ 10,766.00	1	102

4" Stainless Steel Pump Ends

5 GPM - J Series

24050J - 1/2 HP.....	\$ 406.00	1	8
24075J - 3/4 HP.....	\$ 543.00	1	9
24100J - 1 HP.....	\$ 769.00	1	11
24150J - 1 1/2 HP.....	\$ 906.00	1	13

7 GPM - V Series

24050V - 1/2 HP.....	\$ 285.00	1	8
24075V - 3/4 HP.....	\$ 451.00	1	9
24100V - 1 HP.....	\$ 560.00	1	10
24150V - 1 1/2 HP.....	\$ 789.00	1	12
24200V - 2 HP.....	\$ 1,043.00	1	15

10 GPM - K Series

24050K - 1/2 HP.....	\$ 242.00	1	7
24075K - 3/4 HP.....	\$ 327.00	1	8
24100K - 1 HP.....	\$ 362.00	1	8
24150K - 1 1/2 HP.....	\$ 690.00	1	10
24200K - 2 HP.....	\$ 918.00	1	11
24300K - 3 HP.....	\$ 1,202.00	1	14
24500K - 5 HP.....	\$ 1,501.00	1	26

15 GPM - L Series

24050L - 1/2 HP.....	\$ 407.00	1	6
24075L - 3/4 HP.....	\$ 438.00	1	7
24100L - 1 HP.....	\$ 482.00	1	8
24150L - 1 1/2 HP.....	\$ 519.00	1	9
24200L - 2 HP.....	\$ 615.00	1	10
24300L - 3 HP.....	\$ 789.00	1	12
24500L - 5 HP.....	\$ 1,472.00	1	17

20 GPM - P Series

24050P - 1/2 HP.....	\$ 393.00	1	6
24075P - 3/4 HP.....	\$ 454.00	1	7
24100P - 1 HP.....	\$ 470.00	1	8
24150P - 1 1/2 HP.....	\$ 536.00	1	9
24200P - 2 HP.....	\$ 791.00	1	9
24300P - 3 HP.....	\$ 995.00	1	13
24500P - 5 HP.....	\$ 1,221.00	1	16

25 GPM - M Series

24100M - 1 HP.....	\$ 393.00	1	7
24150M - 1 1/2 HP.....	\$ 585.00	1	9
24200M - 2 HP.....	\$ 713.00	1	10
24300M - 3 HP.....	\$ 938.00	1	12
24500M - 5 HP.....	\$ 1,118.00	1	16

1 - 24000 Series - High Flow Stainless Steel Submersible Pumps 4"

Order by Model Number. Example: 24200R3

24	200	R	3	
Pump Model 4" Submersible Stainless Steel Pumps are Model 24	Horsepower 100 - 1 HP 150 - 1 1/2 HP 200 - 2 HP 300 - 3 HP 500 - 5 HP 750 - 7 1/2 HP 1000 - 10 HP	Series R Series - 35 GPM G Series - 40 GPM S Series - 55 GPM Q Series - 60 GPM T Series - 80 GPM	Wires Two wire or Three wire (Leave blank for pump end only)	Other Leave blank for 230V 60 HZ, Single Phase (Standard) A - 115V Single Phase C - 200V Three Phase Z - 230V Three Phase Q - 380V Three Phase Y - 460V Three Phase

Other Options - Contact Factory
M - 575V Three Phase
E - 220V 50HZ Single Phase
F - 220V 50HZ Three Phase
H - 380V 50HZ Three Phase
N - 415V 50HZ Three Phase

NOTES

- Standard is 230V, Single Phase
- **Three-wire single phase models include** pump, motor, 48" leads (1/2 through 2 HP) OR 100" leads (3 HP and larger), control box (1/2 thru 3 HP Standard control box, 5 HP Deluxe control box) and check valve.
- **Two-wire single phase models include** pump, motor, 48" leads, and check valve.
- **Three-wire three phase models include** pump, motor, 48" leads (1/2 through 2 HP) OR 100" leads (3 HP and larger), contactor, and check valve.
- **All submersible pumps include grounded leads.**

SIZE	LIST	CTN QTY	WT
35 GPM - R Series			
Two Wire			
24100R2 - 1 HP 230V	\$ 1,723.00	1	38
24150R2 - 1 1/2 HP 230V	\$ 2,013.00	1	40
Three Wire			
24100R3 - 1 HP 230V	\$ 1,715.00	1	38
24150R3 - 1 1/2 HP 230V	\$ 1,807.00	1	48
24150R3Z - 1 1/2 HP 230V - 3 Ph. \$	2,324.00	1	42
24150R3Y - 1 1/2 HP 460V - 3 Ph \$	2,324.00	1	37
24200R3 - 2 HP 230V	\$ 2,454.00	1	52
24200R3Z - 2 HP 230V - 3 Ph.....	\$ 2,562.00	1	62
24200R3Y - 2 HP 460V - 3 Ph	\$ 2,562.00	1	48
24300R3 - 3 HP 230V	\$ 3,414.00	1	75
24300R3Z - 3 HP 230V - 3 Ph.....	\$ 3,199.00	1	60
24300R3Y - 3 HP 460V - 3 Ph	\$ 3,199.00	1	54
24500R3 - 5 HP 230V	\$ 4,780.00	1	103
24500R3Z - 5 HP 230V - 3 Ph.....	\$ 4,402.00	1	79
24500R3Y - 5 HP 460V - 3 Ph	\$ 4,402.00	1	74
24750R3Z - 7 1/2 HP 230V - 3 Ph. \$	5,287.00	1	98
24750R3Y - 7 1/2 HP 460V - 3 Ph \$	5,287.00	1	97
241000R3Y - 10 HP 460V - 3 Ph ..	\$ 8,230.00	1	159



SIZE	LIST	CTN QTY	WT
40 GPM - G Series			
Two Wire			
24150G2 - 1 1/2 HP 230V	\$ 2,193.00	1	37
Three Wire			
24150G3 - 1 1/2 HP 230V	\$ 2,164.00	1	48
24150G3Z - 1 1/2 HP 230V - 3 Ph \$	2,505.00	1	47
24150G3Y - 1 1/2 HP 460V - 3 Ph \$	2,505.00	1	40
24200G3 - 2 HP 230V	\$ 2,594.00	1	51
24200G3Z - 2 HP 230V - 3 Ph	\$ 2,701.00	1	47
24200G3Y - 2 HP 460V - 3 Ph	\$ 2,701.00	1	46
24300G3 - 3 HP 230V	\$ 3,596.00	1	73
24300G3Z - 3 HP 230V - 3 Ph	\$ 3,386.00	1	60
24300G3Y - 3 HP 460V - 3 Ph	\$ 3,386.00	1	51
24500G3 - 5 HP 230V	\$ 5,053.00	1	99
24500G3Z - 5 HP 230V - 3 Ph	\$ 4,676.00	1	75
24500G3Y - 5 HP 460V - 3 Ph	\$ 4,676.00	1	71
24750G3Z - 7 1/2 HP 230V - 3 Ph \$	5,624.00	1	93
24750G3Y - 7 1/2 HP 460V - 3 Ph \$	5,624.00	1	93



24000 Series - High Flow Stainless Steel Submersible Pumps 4" - 1

SIZE	LIST	CTN QTY	WT
55 GPM - S Series			
Two Wire			
24150S2 - 1 1/2 HP 230V.....	\$ 2,318.00	1	40
Three Wire			
24150S3 - 1 1/2 HP 230V.....	\$ 2,288.00	1	44
24150S3Z - 1 1/2 HP 230V - 3 Ph. \$	2,631.00	1	38
24150S3Y - 1 1/2 HP 460V - 3 Ph..\$	2,631.00	1	39
24200S3 - 2 HP 230V.....	\$ 2,811.00	1	49
24200S3Z - 2 HP 230V - 3 Ph.....	\$ 2,920.00	1	44
24200S3Y - 2 HP 460V - 3 Ph.....	\$ 2,920.00	1	44
24300S3 - 3 HP 230V.....	\$ 3,574.00	1	61
24300S3Z - 3 HP 230V - 3 Ph.....	\$ 3,362.00	1	51
24300S3Y - 3 HP 460V - 3 Ph.....	\$ 3,362.00	1	51
24500S3 - 5 HP 230V.....	\$ 4,931.00	1	96
24500S3Z - 5 HP 230V - 3 Ph.....	\$ 4,555.00	1	74
24500S3Y - 5 HP 460V - 3 Ph.....	\$ 4,555.00	1	73
24750S3Z - 7 1/2 HP 230V - 3 Ph..\$	5,411.00	1	97
24750S3Y - 7 1/2 HP 460V - 3 Ph..\$	5,411.00	1	95
241000S3Y - 10 HP 460V - 3 Ph..	\$ 7,879.00	1	107

60 GPM - Q Series			
Two Wire			
24150Q2 - 1 1/2 HP 230V	\$ 2,114.00	1	40
Three Wire			
24150Q3 - 1 1/2 HP 230V	\$ 2,084.00	1	43
24150Q3Z - 1 1/2 HP 230V - 3 Ph. \$	2,426.00	1	38
24150Q3Y - 1 1/2 HP 460V - 3 Ph. \$	2,426.00	1	39
24200Q3 - 2 HP 230V	\$ 2,461.00	1	49
24200Q3Z - 2 HP 230V - 3 Ph	\$ 2,569.00	1	44
24200Q3Y - 2 HP 460V - 3 Ph	\$ 2,569.00	1	44
24300Q3 - 3 HP 230V	\$ 3,475.00	1	61
24300Q3Z - 3 HP 230V - 3 Ph	\$ 3,265.00	1	51
24300Q3Y - 3 HP 460V - 3 Ph	\$ 3,265.00	1	51
24500Q3 - 5 HP 230V	\$ 4,785.00	1	96
24500Q3Z - 5 HP 230V - 3 Ph	\$ 4,407.00	1	74
24500Q3Y - 5 HP 460V - 3 Ph	\$ 4,407.00	1	73
24750Q3Z - 7 1/2 HP 230V - 3 Ph. \$	5,151.00	1	97
24750Q3Y - 7 1/2 HP 460V - 3 Ph. \$	5,151.00	1	95

80 GPM - T Series			
Three Wire			
24300T3 - 3 HP 230V.....	\$ 3,411.00	1	59
24300T3Z - 3 HP 230V - 3 Ph.....	\$ 3,199.00	1	49
24300T3Y - 3 HP 460V - 3 Ph.....	\$ 3,199.00	1	49
24500T3 - 5 HP 230V.....	\$ 4,744.00	1	92
24500T3Z - 5 HP 230V - 3 Ph.....	\$ 4,367.00	1	71
24500T3Y - 5 HP 460V - 3 Ph.....	\$ 4,367.00	1	70
24750T3Z - 7 1/2 HP-230V - 3 Ph. \$	5,497.00	1	94
24750T3Y - 7 1/2 HP 460V - 3 Ph. \$	5,497.00	1	92

High Flow Stainless Steel Pump Ends



SIZE	LIST	CTN QTY	WT
35 GPM - R Series			
24100R - 1 HP	\$ 861.00	1	8
24150R - 1 1/2 HP.....	\$ 885.00	1	9
24200R - 2 HP.....	\$ 1,058.00	1	11
24300R - 3 HP.....	\$ 1,334.00	1	13
24500R - 5 HP.....	\$ 1,780.00	1	18
24750R - 7 1/2 HP	\$ 2,145.00	1	26
241000R - 10 HP.....	\$ 3,096.00	1	31

40 GPM - G Series			
24150G - 1 1/2 HP.....	\$ 1,065.00	1	7
24200G - 2 HP.....	\$ 1,196.00	1	8
24300G - 3 HP.....	\$ 1,521.00	1	9
24500G - 5 HP.....	\$ 2,052.00	1	13
24750G - 7 1/2 HP.....	\$ 2,480.00	1	18

55 GPM - S Series			
24150S - 1 1/2 HP	\$ 1,191.00	1	10
24200S - 2 HP	\$ 1,415.00	1	12
24300S - 3 HP	\$ 1,499.00	1	14
24500S - 5 HP	\$ 1,929.00	1	20
24750S - 7 1/2 HP	\$ 2,269.00	1	28
241000S - 10 HP	\$ 2,744.00	1	35

60 GPM - Q Series			
24150Q - 1 1/2 HP.....	\$ 985.00	1	9
24200Q - 2 HP.....	\$ 1,063.00	1	10
24300Q - 3 HP.....	\$ 1,399.00	1	12
24500Q - 5 HP.....	\$ 1,782.00	1	16
24750Q - 7 1/2 HP.....	\$ 2,009.00	1	23

80 GPM - T Series			
24300T - 3 HP	\$ 1,334.00	1	10
24500T - 5 HP	\$ 1,745.00	1	16
24750T - 7 1/2 HP	\$ 2,354.00	1	22

1 - 26000 Series - Stainless Steel Submersible Pumps 4"



5 GPM - J Series

SIZE	LIST	CTN QTY	WT
26050J - 1/2 HP	\$ 685.00	1	9
26075J - 3/4 HP	\$ 865.00	1	11
26100J - 1 HP	\$ 1,114.00	1	13
26150J - 1 1/2 HP	\$ 1,293.00	1	14
26200J - 2 HP	\$ 1,944.00	1	16

10 GPM - K Series

26050K - 1/2 HP	\$ 446.00	1	7
26075K - 3/4 HP	\$ 644.00	1	8
26100K - 1 HP	\$ 803.00	1	10
26150K - 1 1/2 HP	\$ 1,061.00	1	13
26200K - 2 HP	\$ 1,136.00	1	16
26300K - 3 HP	\$ 1,793.00	1	25

18 GPM - P Series

26050P - 1/2 HP	\$ 477.00	1	6
26075P - 3/4 HP	\$ 637.00	1	6
26100P - 1 HP	\$ 704.00	1	7
26150P - 1 1/2 HP	\$ 749.00	1	9
26200P - 2 HP	\$ 1,017.00	1	11
26300P - 3 HP	\$ 1,195.00	1	13
26500P - 5 HP	\$ 1,911.00	1	26

25 GPM - M Series

26050M - 1/2 HP	\$ 574.00	1	6
26075M - 3/4 HP	\$ 669.00	1	6
26100M - 1 HP	\$ 767.00	1	6
26150M - 1 1/2 HP	\$ 864.00	1	7
26200M - 2 HP	\$ 1,008.00	1	9
26300M - 3 HP	\$ 1,158.00	1	10
26500M - 5 HP	\$ 1,687.00	1	16
26750M - 7 1/2 HP	\$ 3,388.00	1	28

40 GPM - G Series

26100G - 1 HP	\$ 878.00	1	9
26150G - 1 1/2 HP	\$ 974.00	1	10
26200G - 2 HP	\$ 1,076.00	1	12
26300G - 3 HP	\$ 1,345.00	1	14
26500G - 5 HP	\$ 2,180.00	1	17
26750G - 7 1/2 HP	\$ 4,008.00	1	27
261000G - 10 HP	\$ 5,790.00	1	37

70 GPM - H Series

26200H - 2 HP	\$ 1,106.00	1	9
26300H - 3 HP	\$ 1,347.00	1	11
26500H - 5 HP	\$ 2,384.00	1	14
26750H - 7 1/2 HP	\$ 2,822.00	1	24
261000H - 10 HP	\$ 4,135.00	1	29

1 - Cistern Pumps



22050L2AB - 1/2 HP	\$ 635.00	1	19
22075L2AB - 3/4 HP	\$ 673.00	1	23

Control Boxes & Motors - Submersible Pumps 4" - 1

QD Control Boxes - Single Phase



SIZE	LIST	CTN QTY	WT
6618-116 - 1/3 HP, 115V	\$ 129.00	1	3
6618-117 - 1/3 HP, 230V	\$ 129.00	1	3
6618-118 - 1/2 HP, 115V	\$ 129.00	1	3
6618-119 - 1/2 HP, 230V	\$ 129.00	1	3
6617-110 - 3/4 HP, 230V	\$ 134.00	1	3
6617-111 - 1 HP, 230V	\$ 138.00	1	3
6617-428 - 1 1/2 HP, 230V	\$ 206.00	1	6
6617-113 - 2 HP, 230V	\$ 323.00	1	7
6617-114 - 3 HP, 230V	\$ 408.00	1	7
6617-133 - 5 HP, 230V	\$ 594.00	1	8

Deluxe Control Boxes - Single Phase

6617-141 - 2 HP-Deluxe - (w/ Starter)-230V	\$ 458.00	1	8
6617-142 - 3 HP-Deluxe - (w/ Starter)-230V	\$ 531.00	1	8
6617-134 - 5 HP-Deluxe - (w/ Starter)-230V	\$ 677.00	1	12

CRC Control Box

6617-116 - 1/2 HP, 230V	\$ 193.00	1	4
6617-117 - 3/4 HP, 230V	\$ 195.00	1	4
6617-118 - 1 HP, 230V	\$ 199.00	1	4

Pump-Tec



Pump-Tec w/ Remote			
6617-425 Use w/ 1/3 - 1 1/2 HP - Two & Three Wire - 115/230V	\$ 385.00	1	3



Pump-Tec Plus			
6617-143 Use w/ 1/2 - 5 HP, 230V Motors	\$ 797.00	1	7



QD Pump-Tec			
6617-145 Use w/ 1/3 - 1 HP, 230V Motors	\$ 308.00	1	1

Alternator

6617-430 - Duplex	\$1,246.00	1	4
-------------------------	------------	---	---

Motor Adapter

6180-326 4" Pump End x 6" Motor	\$ 391.00	(Use accessories discount)	
---------------------------------------	-----------	----------------------------	--

Nema 3R Programmable - SubDrive



SubDrive 15			
6617-433 - Nema 3R Programmable ..	\$ 1,816.00	1	26



SubDrive 20			
6617-435 - Nema 3R Programmable ..	\$ 1,877.00	1	26



SubDrive 30			
6617-436 - Nema 3R Programmable ..	\$ 3,534.00	1	26

Nema 4 - SubDrive



SubDrive 75			
6617-156 - Nema 4	\$ 2,226.00	1	29



SubDrive 100			
6617-158 - Nema 4	\$ 2,479.00	1	33



SubDrive 150			
6617-155 - Nema 4	\$ 3,985.00	1	33



SubDrive 300			
6617-153 - Nema 4	\$ 7,092.00	1	42



SubDrive 2W			
6617-164 - Nema 3R	\$ 1,858.00	1	21

MonoDrive Controller



6617-432 use with 1/2, 3/4, or 1 HP single phase pumps/motors Nema 3R	\$ 1,922.00	1	20
---	-------------	---	----



6617-159 use with 1/2, 3/4, or 1 HP single phase pumps/motors Nema 4	\$ 2,349.00	1	29
--	-------------	---	----



6617-434 - MonoDriveXT use with 1 1/2 & 2 HP single phase pumps/motors - Nema 3R	\$ 1,957.00	1	26
--	-------------	---	----



6617-160 - MonoDriveXT use with 1 1/2 & 2 HP single phase pumps/motors - Nema 4	\$ 2,782.00	1	33
---	-------------	---	----

Monodrive Fan Kits

Fans & pressure sensor kit (use accessories discount)

6617-161 - Fan Kit - CP75 & Monodrive - Nema 4	\$ 140.00	1	3
--	-----------	---	---

6617-162 - Fan Kit CP100, 150, & Monodrive XT - Nema 4	\$ 150.00	1	3
--	-----------	---	---

6617-163 - Fan Kit CP75 & Monodrive - Pre08L45 - Nema 1	\$ 144.00	1	2
---	-----------	---	---

6627-088 - Pressure Sensor Kit for CP75,100, 150	\$ 110.00	1	1
--	-----------	---	---

6617-431 - Pressure Sensor Kit for CP300	\$ 282.00	1	1
--	-----------	---	---

1 - Motors - Submersible Pumps 4"

60 Hz - 4" Submersible Motors



Franklin Electric

Two-Wire (Single Phase) w/ lead assembly

SIZE	LIST	CTN QTY	WT
3129-731 1/3 HP, 115V	\$ 692.00	1	16
3129-732 1/3 HP, 230V	\$ 692.00	1	16
3129-736 1/2 HP, 115V	\$ 673.00	1	19
3129-733 1/2 HP, 230V	\$ 673.00	1	18
3129-734 3/4 HP, 230V	\$ 811.00	1	21
3129-735 1 HP, 230V	\$ 869.00	1	23
3129-755 1 1/2 HP, 230V	\$ 1,135.00	1	31

Three-Wire(Single Phase) w/ lead assembly

3129-364 1/3 HP, 115V	\$ 631.00	1	17
3129-365 1/3 HP, 230V	\$ 631.00	1	17
3129-366 1/2 HP, 115V	\$ 580.00	1	18
3129-367 1/2 HP, 230V	\$ 580.00	1	19
3129-359 3/4 HP, 230V	\$ 687.00	1	21
3129-360 1 HP, 230V	\$ 715.00	1	24
3129-361 1 1/2 HP, 230V	\$ 889.00	1	29
3129-396 2 HP, 230V	\$ 1,066.00	1	33
3129-363 3 HP, 230V	\$ 1,628.00	1	43
3129-880 3 HP, 230V 1500# thrust	\$ 1,804.00	1	49
3129-717 5 HP, 230V	\$ 2,264.00	1	66

Three-Wire (Three Phase) w/ lead assembly

3129-788 1/2 HP, 230V	\$ 692.00	1	18
3129-789 1/2 HP, 460V	\$ 692.00	1	18
3129-853 3/4 HP, 200V	\$ 792.00	1	21
3129-790 3/4 HP, 230V	\$ 792.00	1	21
3129-791 3/4 HP, 460V	\$ 792.00	1	21
3129-856 1 HP, 200V	\$ 848.00	1	24
3129-792 1 HP, 230V	\$ 848.00	1	24
3129-793 1 HP, 460V	\$ 848.00	1	24
3129-839 1 1/2 HP, 200V	\$ 871.00	1	24
3129-794 1 1/2 HP, 230V	\$ 871.00	1	24
3129-795 1 1/2 HP, 460V	\$ 871.00	1	24
3129-869 1 1/2 HP, 575V	\$ 871.00	1	24
3129-798 2 HP, 200V	\$ 937.00	1	29
3129-796 2 HP, 230V	\$ 937.00	1	29
3129-797 2 HP, 460V	\$ 937.00	1	29
3129-855 2 HP, 575V	\$ 937.00	1	29
3129-846 3 HP, 200V	\$ 1,273.00	1	35
3129-709 3 HP, 230V	\$ 1,273.00	1	34
3129-807 3 HP, 460V	\$ 1,273.00	1	35
3129-868 3 HP, 575V	\$ 1,273.00	1	35
3129-847 5 HP, 200V	\$ 2,020.00	1	53
3129-718 5 HP, 230V	\$ 2,020.00	1	52
3129-808 5 HP, 460V	\$ 2,020.00	1	52
3129-835 5 HP, 575V	\$ 2,020.00	1	52
3129-848 7 1/2 HP, 200V	\$ 2,532.00	1	66
3129-783 7 1/2 HP, 230V	\$ 2,532.00	1	68
3129-784 7 1/2 HP, 460V	\$ 2,532.00	1	66
3129-866 7 1/2 HP, 575V	\$ 2,532.00	1	66
3129-785 10 HP, 460V	\$ 4,494.00	1	78
3129-883 10 HP, 575V	\$ 4,494.00	1	77

Contactors

IEC Contactors for three phase motors. Each kit includes Nema 1 enclosure, contactor, and overload assembled with the correct voltage coil needed.

Contactors w/ 200V Coil

3131-290 1/2 HP, 200V	\$ 552.00	1	6
3131-291 3/4 HP, 200V	\$ 552.00	1	6
3131-292 1 HP, 200V	\$ 552.00	1	6
3131-293 1 1/2 HP, 200V	\$ 552.00	1	6
3131-294 2 HP, 200V	\$ 552.00	1	6
3131-295 3 HP, 200V	\$ 552.00	1	6
3131-296 5 HP, 200V	\$ 552.00	1	6
3131-297 7 1/2 HP, 200V	\$ 552.00	1	6
3131-298 10 HP, 200V	\$ 1,172.00	1	9
3131-299 15 HP, 200V	\$ 1,172.00	1	9
3131-300 20 HP, 200V	\$ 1,799.00	1	20
3131-301 25 HP, 200V	\$ 1,799.00	1	20
3131-302 30 HP, 200V	\$ 1,799.00	1	20

Contactors w/ 230V Coil

3131-303 1/2 HP, 230V	\$ 552.00	1	6
3131-304 3/4 HP, 230V	\$ 552.00	1	6
3131-305 1 HP, 230V	\$ 552.00	1	6
3131-306 1 1/2 HP, 230V	\$ 552.00	1	6
3131-307 2 HP, 230V	\$ 552.00	1	6
3131-308 3 HP, 230V	\$ 552.00	1	6
3131-309 5 HP, 230V	\$ 552.00	1	6
3131-310 7 1/2 HP, 230V	\$ 552.00	1	6
3131-311 10 HP, 230V	\$ 1,172.00	1	9
3131-312 15 HP, 230V	\$ 1,172.00	1	9
3131-313 20 HP, 230V	\$ 1,799.00	1	20
3131-314 25 HP, 230V	\$ 1,799.00	1	20
3131-315 30 HP, 230V	\$ 1,799.00	1	20

Contactors w/ 460V Coil

3131-316 1/2 HP, 460V	\$ 552.00	1	6
3131-317 3/4 HP, 460V	\$ 552.00	1	6
3131-318 1 HP, 460V	\$ 552.00	1	6
3131-319 1 1/2 HP, 460V	\$ 552.00	1	6
3131-320 2 HP, 460V	\$ 552.00	1	6
3131-321 3 HP, 460V	\$ 552.00	1	6
3131-322 5 HP, 460V	\$ 552.00	1	6
3131-323 7 1/2 HP, 460V	\$ 552.00	1	6
3131-324 10 HP, 460V	\$ 552.00	1	6
3131-325 15 HP, 460V	\$ 552.00	1	6
3131-326 20 HP, 460V	\$ 1,172.00	1	9
3131-327 25 HP, 460V	\$ 1,172.00	1	9
3131-328 30 HP, 460V	\$ 1,172.00	1	9
3131-329 40 HP, 460V	\$ 1,283.00	1	9
3131-330 50 HP, 460V	\$ 1,810.00	1	20
3131-331 60 HP, 460V	\$ 1,810.00	1	20
3131-332 75 HP, 460V	\$ 1,810.00	1	20

6", 8", 10" Submersible Pumps - 2

Order by Model Number. Example: 90S3HP64

90S

3HP

6

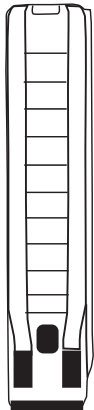
4

Pump Model-GPM		Horsepower			Pump Size	Motor Bracket
90S - 90 GPM	500S - 500 GPM	3 HP	25 HP	85 HP	6"	4"
150S - 150 GPM	650S - 650 GPM	5 HP	30 HP	100 HP	8"	6"
230S - 230 GPM	800S - 800 GPM	7 1/2 HP	40 HP	125 HP	10"	8"
300S - 300 GPM	1100S - 1100 GPM	10 HP	50 HP	150 HP		10"
400S - 400 GPM		15 HP	60 HP	175 HP		
		20 HP	75 HP	230 HP		

NOTE: Motors, contactors/control panels, and check valves must be added for a complete set.
 - For 6" pumps up to 10 HP with 4" motor adapters, call factory for pricing.
 - The 4" motor adapter adds about 2" to the overall length of the pump.

SIZE	LIST	CTN QTY	WT
------	------	---------	----

6" Stainless Steel Pump Ends



90 GPM

90S3HP64 - 3 HP	\$ 1,315.00	1	16
90S5HP64 - 5 HP	\$ 1,653.00	1	21
90S7.5HP66 - 7 1/2 HP	\$ 2,470.00	1	31
90S10HP66 - 10 HP	\$ 3,034.00	1	40
90S15HP66 - 15 HP	\$ 4,057.00	1	52
90S20HP66 - 20 HP	\$ 5,247.00	1	66
90S25HP66 - 25 HP	\$ 6,112.00	1	78
90S30HP66 - 30 HP	\$ 7,278.00	1	91
90S40HP66 - 40 HP	\$ 7,883.00	1	104

150 GPM

150S5HP64 - 5 HP	\$ 1,709.00	1	22
150S7.5HP66 - 7 1/2 HP	\$ 2,389.00	1	30
150S10HP66 - 10 HP	\$ 2,514.00	1	35
150S15HP66 - 15 HP	\$ 3,602.00	1	48
150S20HP66 - 20 HP	\$ 4,430.00	1	52
150S25HP66 - 25 HP	\$ 5,514.00	1	67
150S30HP66 - 30 HP	\$ 6,582.00	1	75
150S40HP66 - 40 HP	\$ 9,114.00	1	97
150S50HP66 - 50 HP	\$ 10,839.00	1	116

230 GPM

230S5HP64 - 5 HP	\$ 1,584.00	1	20
230S7.5HP66 - 7 1/2 HP	\$ 1,751.00	1	25
230S10HP66 - 10 HP	\$ 2,241.00	1	35
230S15HP66 - 15 HP	\$ 2,727.00	1	40
230S20HP66 - 20 HP	\$ 3,397.00	1	50
230S25HP66 - 25 HP	\$ 4,249.00	1	50
230S30HP66 - 30 HP	\$ 4,857.00	1	81
230S40HP66 - 40 HP	\$ 6,949.00	1	76
230S50HP66 - 50 HP	\$ 8,940.00	1	99
230S60HP66 - 60 HP	\$ 10,096.00	1	110

SIZE	LIST	CTN QTY	WT
------	------	---------	----

300 GPM

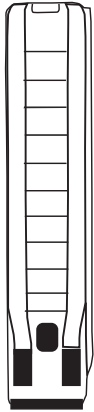
300S5HP64 - 5 HP	\$ 1,817.00	1	15
300S7.5HP66 - 7 1/2 HP	\$ 2,355.00	1	21
300S10HP66 - 10 HP	\$ 2,603.00	1	21
300S15HP66 - 15 HP	\$ 2,937.00	1	35
300S20HP66 - 20 HP	\$ 3,253.00	1	46
300S25HP66 - 25 HP	\$ 3,832.00	1	52
300S30HP66 - 30 HP	\$ 4,950.00	1	63
300S40HP66 - 40 HP	\$ 5,614.00	1	66
300S50HP66 - 50 HP	\$ 6,797.00	1	108
300S60HP66 - 60 HP	\$ 7,928.00	1	96

8" Stainless Steel Pump Ends

400 GPM

400S5HP86 - 5 HP	\$ 3,308.00	1	56
400S7.5HP86 - 7 1/2 HP	\$ 3,407.00	1	56
400S10HP86 - 10 HP	\$ 3,688.00	1	64
400S15HP86 - 15 HP	\$ 3,688.00	1	64
400S20HP86 - 20 HP	\$ 4,313.00	1	72
400S25HP86 - 25 HP	\$ 4,651.00	1	98
400S30HP86 - 30 HP	\$ 5,325.00	1	106
400S40HP86 - 40 HP	\$ 6,091.00	1	95
400S50HP86 - 50 HP	\$ 6,729.00	1	103
400S60HP86 - 60 HP	\$ 8,304.00	1	114
400S75HP88 - 75 HP	\$ 10,325.00	1	130
400S100HP88 - 100 HP	\$ 13,389.00	1	154

2 - Submersible Pumps 6", 8", 10"



SIZE	LIST	CTN QTY	WT
500 GPM			
500S5HP86 - 5 HP	\$ 3,562.00	1	56
500S7.5HP86 - 7 1/2 HP	\$ 3,667.00	1	56
500S10HP86 - 10 HP	\$ 3,667.00	1	69
500S15HP86 - 15 HP	\$ 3,973.00	1	78
500S20HP86 - 20 HP	\$ 4,052.00	1	84
500S25HP86 - 25 HP	\$ 4,638.00	1	88
500S30HP86 - 30 HP	\$ 5,046.00	1	98
500S40HP86 - 40 HP	\$ 5,853.00	1	108
500S50HP86 - 50 HP	\$ 6,585.00	1	95
500S60HP86 - 60 HP	\$ 7,045.00	1	106
500S75HP88 - 75 HP	\$ 8,528.00	1	114
500S100HP88 - 100 HP	\$ 11,402.00	1	138
500S125HP88 - 125 HP	\$ 13,755.00	1	154

SIZE	LIST	CTN QTY	WT
1100 GPM			
1100S30HP106 - 30 HP	\$ 5,370.00	1	102
1100S40HP106 - 40 HP	\$ 5,370.00	1	102
1100S60HP106 - 60 HP	\$ 6,179.00	1	123
1100S75HP108 - 75 HP	\$ 6,179.00	1	123
1100S100HP108 - 100 HP	\$ 6,179.00	1	123
1100S100HP108H - 100 HP	\$ 7,108.00	1	145
1100S125HP108 - 125 HP	\$ 7,108.00	1	145
1100S150HP108 - 150 HP	\$ 8,422.00	1	166
1100S150HP108HH - 150 HP	\$ 8,422.00	1	166
1100S175HP1010 - 175 HP	\$ 9,649.00	1	200
1100S200HP1010 - 200 HP	\$ 9,649.00	1	200
1100S250HP1010 - 250 HP	\$ 11,317.00	1	223
1100S250HP1010HH - 250 HP	\$ 11,317.00	1	223

10" Stainless Steel Pump Ends

650 GPM

Min. Well Size 9" ID

650S15HP106 - 15 HP	\$ 4,238.00	1	65
650S25HP106 - 25 HP	\$ 4,238.00	1	65
650S30HP106 - 30 HP	\$ 5,572.00	1	79
650S40HP106 - 40 HP	\$ 5,572.00	1	79
650S40HP106H - 40 HP	\$ 5,572.00	1	79
650S50HP106 - 50 HP	\$ 7,234.00	1	93
650S60HP106 - 60 HP	\$ 7,233.00	1	94
650S75HP108H - 75 HP	\$ 7,804.00	1	115
650S100HP108 - 100 HP	\$ 7,804.00	1	115
650S100HP108H - 100 HP	\$ 8,484.00	1	126
650S100HP108SH - 100 HP	\$ 11,748.00	1	137
650S125HP108H - 125 HP	\$ 11,748.00	1	137
650S125HP108SH - 125 HP	\$ 13,783.00	1	148

800 GPM

Min. Well Size 10-12" ID

800S20HP106 - 20 HP	\$ 4,464.00	1	67
800S30HP106 - 30 HP	\$ 4,464.00	1	67
800S40HP106 - 40 HP	\$ 5,956.00	1	81
800S50HP106 - 50 HP	\$ 5,956.00	1	81
800S50HP106H - 50 HP	\$ 5,956.00	1	81
800S60HP106 - 60 HP	\$ 7,183.00	1	98
800S75HP108H - 75 HP	\$ 7,183.00	1	99
800S100HP108 - 100 HP	\$ 7,951.00	1	112
800S100HP108H - 100 HP	\$ 7,951.00	1	113
800S125HP108 - 125 HP	\$ 9,178.00	1	127
800S125HP108HH - 125 HP	\$ 9,178.00	1	127

Adapters

6180-114 - 500SDA 5X6 Discharge Adaptor..	\$ 255.00	1	7
---	-----------	---	---

(Use accessories discount)

Motor Adapter

6180-326 4" Pump End x 6" Motor.....	\$ 391.00	1	6
--------------------------------------	-----------	---	---

(Use accessories discount)

6", 8", 10" Motors & Controls - 2

6" Franklin Electric Submersible Motors

Water Well - Single Phase

SIZE	LIST	CTN QTY	WT
6201-101 - 5 HP, 230V	\$ 3,916.00	1	115
6201-102 - 7 1/2 HP, 230V	\$ 4,056.00	1	124
6201-103 - 10 HP, 230V	\$ 4,227.00	1	145
6201-104 - 15 HP, 230V	\$ 5,483.00	1	155



Water Well - Three Phase

6201-221 - 5 HP, 230V	\$ 3,024.00	1	100
6201-222 - 5 HP, 460V	\$ 3,024.00	1	100
6201-254 - 7 1/2 HP, 200V	\$ 3,517.00	1	108
6201-223 - 7 1/2 HP, 230V	\$ 3,517.00	1	108
6201-224 - 7 1/2 HP, 460V	\$ 3,517.00	1	105
6201-180 - 7 1/2 HP, 575V	\$ 3,517.00	1	108
6201-225 - 10 HP, 200V	\$ 3,932.00	1	115
6201-226 - 10 HP, 230V	\$ 3,932.00	1	115
6201-227 - 10 HP, 460V	\$ 3,932.00	1	114
6201-249 - 10 HP, 575V	\$ 3,932.00	1	116
6201-220 - 15 HP, 200V	\$ 4,518.00	1	129
6201-228 - 15 HP, 230V	\$ 4,518.00	1	128
6201-229 - 15 HP, 460V	\$ 4,518.00	1	127
6201-252 - 15 HP, 575V	\$ 4,518.00	1	129
6201-230 - 20 HP, 200V	\$ 5,541.00	1	145
6201-231 - 20 HP, 230V	\$ 5,541.00	1	145
6201-232 - 20 HP, 460V	\$ 5,541.00	1	141
6201-253 - 20 HP, 575V	\$ 5,541.00	1	145
6201-240 - 25 HP, 200V	\$ 6,427.00	1	155
6201-233 - 25 HP, 230V	\$ 6,427.00	1	160
6201-234 - 25 HP, 460V	\$ 6,427.00	1	156
6201-244 - 30 HP, 200V	\$ 7,449.00	1	174
6201-235 - 30 HP, 230V	\$ 7,449.00	1	172
6201-236 - 30 HP, 460V	\$ 7,449.00	1	168
6201-237 - 40 HP, 460V	\$ 8,863.00	1	205
6201-250 - 40 HP, 575V	\$ 8,863.00	1	202
6201-238 - 50 HP, 460V	\$ 11,713.00	1	296
6201-242 - 50 HP, 575V	\$ 11,713.00	1	300
6201-239 - 60 HP, 460V	\$ 13,875.00	1	340
6201-245 - 60 HP, 575V	\$ 13,875.00	1	380

8" Franklin Electric Submersible Motors

Water Well - Three Phase

6201-140 - 40 HP, 460V	\$ 13,988.00	1	366
6201-141 - 50 HP, 460V	\$ 15,584.00	1	348
6201-142 - 60 HP, 460V	\$ 20,490.00	1	436
6201-143 - 75 HP, 460V	\$ 24,084.00	1	446
6201-144 - 100 HP, 460V	\$ 28,265.00	1	522
6201-241 - 100 HP, 575V	\$ 28,265.00	1	530
6201-248 - 125 HP, 460V	\$ 37,070.00	1	700
6201-243 - 150 HP, 575V	\$ 43,434.00	1	840

- Six-inch single-phase motors require control boxes.
- Six and eight-inch motors are equipped with **Subtrol** transmitters as standard equipment.

6" Franklin Electric Submersible Motors

Water Well Less Subtrol - Three Phase

6201-050 - 5 HP, 230V	\$ 3,090.00	1	100
6201-051 - 5 HP, 460V	\$ 3,090.00	1	101
6201-052 - 7 1/2 HP, 230V	\$ 3,600.00	1	105
6201-053 - 7 1/2 HP, 460V	\$ 3,600.00	1	105
6201-054 - 7 1/2 HP, 575V	\$ 3,600.00	1	105
6201-055 - 10 HP, 200V	\$ 4,029.00	1	115
6201-056 - 10 HP, 230V	\$ 4,029.00	1	115
6201-057 - 10 HP, 460V	\$ 4,029.00	1	115
6201-058 - 10 HP, 575V	\$ 4,029.00	1	115
6201-059 - 15 HP, 200V	\$ 4,633.00	1	130
6201-060 - 15 HP, 230V	\$ 4,633.00	1	130
6201-061 - 15 HP, 460V	\$ 4,633.00	1	130
6201-062 - 15 HP, 575V	\$ 4,633.00	1	130
6201-063 - 20 HP, 200V	\$ 5,685.00	1	145
6201-064 - 20 HP, 230V	\$ 5,685.00	1	145
6201-065 - 20 HP, 460V	\$ 5,685.00	1	145
6201-066 - 20 HP, 575V	\$ 5,685.00	1	145
6201-067 - 25 HP, 230V	\$ 6,607.00	1	158
6201-068 - 25 HP, 460V	\$ 6,607.00	1	158
6201-069 - 25 HP, 575V	\$ 6,607.00	1	158
6201-070 - 30 HP, 230V	\$ 7,660.00	1	172
6201-071 - 30 HP, 460V	\$ 7,660.00	1	172
6201-072 - 30 HP, 575V	\$ 7,660.00	1	172

Control Boxes - Single Phase



No separate magnetic starter required.

6201-151 7 1/2 HP, 230V - Deluxe	\$ 1,044.00	1	13
6201-152 10 HP, 230V - Deluxe	\$ 1,530.00	1	15
6201-153 15 HP, 230V - Deluxe	\$ 2,746.00	1	18
6201-154 7 1/2 HP, 230V - STD	\$ 816.00	1	12
6201-155 10 HP, 230V - STD	\$ 1,122.00	1	14

- See page 15 for 3 & 5 HP control boxes for 4" and 6" single phase motors.
- See page 34 for check valves.

2 - Motors & Controls 6", 8", 10"

6" Hitachi Submersible Motors



Single Phase

SIZE	LIST	CTN QTY	WT
6202-100 - 5 HP, 230V	\$ 3,146.00	1	154
6202-101 - 7 1/2 HP, 230V	\$ 3,916.00	1	176
6202-102 - 10 HP, 230V	\$ 4,193.00	1	176
6202-103 - 15 HP, 230V	\$ 5,427.00	1	198

Three Phase

SIZE	LIST	CTN QTY	WT
6202-104 - 5 HP, 230V	\$ 2,993.00	1	110
6202-105 - 7 1/2 HP, 230V	\$ 3,686.00	1	141
6202-106 - 10 HP, 230V	\$ 3,814.00	1	137
6202-107 - 15 HP, 230V	\$ 4,512.00	1	179
6202-108 - 20 HP, 230V	\$ 5,556.00	1	198
6202-109 - 25 HP, 230V	\$ 6,396.00	1	220
6202-110 - 30 HP, 230V	\$ 7,546.00	1	243
6202-111 - 40 HP, 460V	\$ 9,018.00	1	276

Contact factory for other sizes and prices.

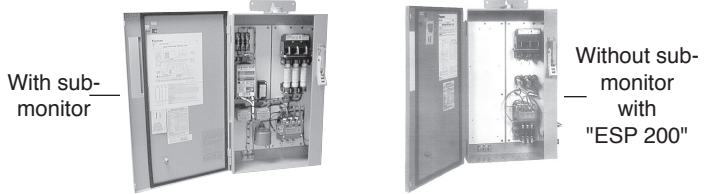
Three Phase - Voltage Plug

6202-130 - 460V Voltage Plug.....	\$ 84.00	1	1
-----------------------------------	----------	---	---

To change 230V to 460V on three phase motors

- Two-Pole 60 HZ Motors
- Field replaceable 200-inch leads included
- Three-year limited warranty (from date of installation)
- Control boxes or panels must be ordered separately

Furnas Control Panel w/Submonitor



Control panels with Submonitor assembled to Furnas pump control panel. Use with Franklin 6" and 8" three phase motors

6201-197 - 5 HP, 230V	\$ 6,397.00	1	34
6201-198 - 7 1/2 HP, 230V	\$ 6,397.00	1	34
6201-199 - 10 HP, 230V	\$ 6,397.00	1	42
6201-200 - 15 HP, 230V	\$ 7,066.00	1	42
6201-201 - 20 HP, 230V	\$ 7,889.00	1	80
6201-202 - 25 HP, 230V	\$ 8,623.00	1	80
6201-203 - 30 HP, 230V	\$ 9,109.00	1	80
6201-204 - 5 HP, 460V	\$ 6,471.00	1	55
6201-205 - 7 1/2 HP, 460V	\$ 6,471.00	1	55
6201-206 - 10 HP, 460V	\$ 6,471.00	1	55
6201-207 - 15 HP, 460V	\$ 6,799.00	1	34
6201-208 - 20 HP, 460V	\$ 7,181.00	1	42
6201-209 - 25 HP, 460V	\$ 7,181.00	1	42
6201-210 - 30 HP, 460V	\$ 7,970.00	1	62
6201-211 - 40 HP, 460V	\$ 8,843.00	1	62
6201-212 - 50 HP, 460V	\$ 8,843.00	1	62
6201-213 - 60 HP, 460V	\$ 11,757.00	1	80
6201-214 - 75 HP, 460V	\$ 11,757.00	1	130
6201-215 - 100 HP, 460V	\$ 12,276.00	1	130
6201-216 - 125 HP, 460V	\$ 20,937.00	1	150
6201-217 - 150 HP, 460V	\$ 20,937.00	1	150

All items above include Premium Submonitor kit.

Submonitor Kits

6201-218 - Up to 200, 190-600V - Premium	\$ 2,187.00	1	3.5
6201-219 - Up to 200, 190-600V - Standard	\$ 1,584.00	1	3.5

Furnas Control Panel without Submonitor

Includes magnetic starter and "ESP 200" - Class 10 Overload

6617-000 - 2 HP Max. 230V	\$ 1,803.00	1	55
6617-001 - 3 HP Max. 230V	\$ 1,803.00	1	55
6617-002 - 7 1/2 HP Max. 230V ..	\$ 1,803.00	1	55
6617-003 - 10 HP Max. 230V ...	\$ 2,142.00	1	55
6617-004 - 15 HP Max. 230V ...	\$ 2,421.00	1	55
6617-005 - 20 HP Max. 230V ...	\$ 3,197.00	1	90
6617-006 - 30 HP Max. 230V ...	\$ 3,446.00	1	90
6617-007 - 5 HP Max. 460V	\$ 1,828.00	1	55
6617-008 - 10 HP Max. 460V ...	\$ 1,828.00	1	55
6617-009 - 15 HP Max. 460V ...	\$ 2,142.00	1	55
6617-010 - 25 HP Max. 460V ...	\$ 2,462.00	1	55
6617-011 - 30 HP Max. 460V ...	\$ 3,285.00	1	90
6617-012 - 50 HP Max. 460V ...	\$ 4,446.00	1	90
6617-013 - 75 HP Max. 460V ...	\$ 5,978.00	1	90
6617-014 - 100 HP Max. 460V ...	\$ 6,466.00	1	170
6617-015 - 200 HP Max. 460V ...	\$ 14,056.00	1	350

Three Phase - 60 HZ includes:

- Fusible Disconnect
- H.O.A. & Start Button
- Solid state overload
- Nema 3R enclosure
- 230 or 460 Volt coil

Does not include fuses.
Heaters not required.

BASE PRICE & QUANTITY DISCOUNT

DuraMAC™ Pump Tanks - 3



SIZE	LIST	CTN QTY	WT
Diaphragm Tanks			
16002-V3M	\$ 159.00	1	6
16005-V3M	\$ 217.00	1	9
16007-V3M	\$ 351.00	1	11
16014-H4M	\$ 506.00	1	23
16020MV4F	\$ 378.00	1	31
16020-H4M	\$ 544.00	1	29
16032MV4F	\$ 563.00	1	41
16036MV4F	\$ 601.00	1	45
16052MV5F	\$ 870.00	1	74
16086MV5F	\$ 1,158.00	1	105
16096MV5F	\$ 1,511.00	1	111
16119MV5F	\$ 1,596.00	1	165

SIZE	LIST	CTN QTY	WT
Potable Water Expansion Tanks			
16002-V3MPX	\$ 85.00	1	6
16005-V3MPX	\$ 124.00	1	10
16005-V3MP - 2.1 gallon	\$ 67.00	1	6
16012-V3MP - 4.4 gallon	\$ 84.00	1	10

SIZE	LIST	CTN QTY	WT
Hydronic Expansion Tanks			
16002-V2MH	\$ 61.00	1	6
16005-V2MH	\$ 84.00	1	10



SIZE	LIST	CTN QTY	WT
Universal Mounting Bracket			
16000BRKT	\$ 28.00	1	2

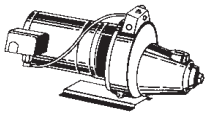
(Use accessories discount)

16	002	-	V	3	M	P	X
Class#	Gallons	Base	Position	Connection Size	Male or Female	Expansion Tanks Only	Expansion Option for Tanks Only
	2, 5, 7, 20, 32, 36, 52, 86, 96, 119	M = Metal - = No base	V = Vertical H = Horizontal	3 = 3/4" 4 = 1" 5 = 1 1/4"	M = Male F = Female	P = Potable H = Hydronic	X = 5 Year Limited Warranty

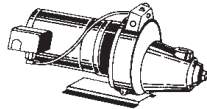
No "X" on Expansion have 1 Year Limited Warranty

Contact Factory for pricing on tanks with plastic bases, galvanized tanks, and glass lined tanks.

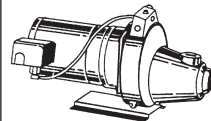
Jet Pumps - 4



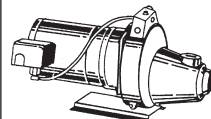
SIZE	LIST	CTN QTY	WT
8100 Series			
Shallow Well Jet Pumps - High Capacity			
8150 - 1/2 HP, 115/230V, Noryl impeller	\$ 706.00	1	46
8151 - 1/2 HP, 115/230V, Brass impeller	\$ 773.00	1	47
8170 - 3/4 HP, 115/230V, Noryl impeller	\$ 781.00	1	49
8171 - 3/4 HP, 115/230V, Brass impeller	\$ 908.00	1	49
8110 - 1 HP, 115/230V, Noryl impeller	\$ 837.00	1	52
8111 - 1 HP, 115/230V, Brass impeller	\$ 959.00	1	53



SIZE	LIST	CTN QTY	WT
8100HP Series			
Shallow Well Jet Pumps - High Pressure			
8150HP - 1/2 HP, 115/230V, Noryl impeller	\$ 706.00	1	46
8151HP - 1/2 HP, 115/230V, Brass impeller	\$ 773.00	1	47
8170HP - 3/4 HP, 115/230V, Noryl impeller	\$ 781.00	1	49
8171HP - 3/4 HP, 115/230V, Brass impeller	\$ 908.00	1	49
8110HP - 1 HP, 115/230V, Noryl impeller	\$ 838.00	1	52
8111HP - 1 HP, 115/230V, Brass impeller	\$ 959.00	1	53

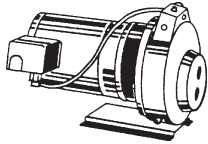


SIZE	LIST	CTN QTY	WT
8500 Series			
Shallow Well Jet Pumps			
Square Flange - High Capacity			
8530 - 1/3 HP, 115V, Noryl impeller	\$ 603.00	1	41
8531 - 1/3 HP, 115V, Brass impeller	\$ 662.00	1	42
8550 - 1/2 HP, 115/230V, Noryl impeller	\$ 619.00	1	41
8551 - 1/2 HP, 115/230V, Brass impeller	\$ 719.00	1	42
8570 - 3/4 HP, 115/230V, Noryl impeller	\$ 676.00	1	44
8571 - 3/4 HP, 115/230V, Brass impeller	\$ 791.00	1	44
8510 - 1 HP, 115/230V, Noryl impeller	\$ 741.00	1	45
8511 - 1 HP, 115/230V, Brass impeller	\$ 870.00	1	47

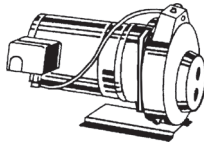


SIZE	LIST	CTN QTY	WT
8500HP Series			
Shallow Well Jet Pumps			
Square Flange - High Pressure			
8530HP - 1/3 HP, 115V - Noryl impeller	\$ 603.00	1	41
8531HP - 1/3 HP, 115V, Brass impeller	\$ 663.00	1	42
8550HP-1/2 HP, 115/230V, Noryl impeller	\$ 619.00	1	41
8551HP-1/2 HP, 115/230V, Brass impeller	\$ 719.00	1	42
8570HP-3/4 HP, 115/230V, Noryl impeller	\$ 676.00	1	44
8571HP-3/4 HP, 115/230V, Brass impeller	\$ 791.00	1	44
8510HP- 1 HP, 115/230V, Noryl impeller	\$ 741.00	1	45
8511HP- 1 HP, 115/230V, Brass impeller	\$ 870.00	1	47

4 - Jet Pumps

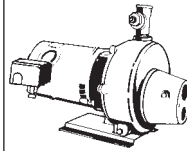


SIZE	LIST	CTN QTY	WT
8200 Series			
Convertible Jet Pumps			
8250 - 1/2 HP, 115/230V, Plastic impeller	\$ 693.00	1	42
8251 - 1/2 HP, 115/230V, Brass impeller	\$ 751.00	1	44
8270 - 3/4 HP, 115/230V, Plastic impeller	\$ 767.00	1	45
8271 - 3/4 HP, 115/230V, Brass impeller	\$ 897.00	1	45
8210 - 1 HP, 115/230V, Plastic impeller.....	\$ 821.00	1	48
8211 - 1 HP, 115/230V, Brass impeller.....	\$ 925.00	1	49

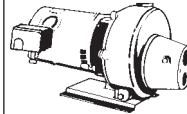


SIZE	LIST	CTN QTY	WT
8600 Series			
Convertible Jet Pumps - Square Flange			
8630 - 1/3 HP, 115V, Plastic impeller.....	\$ 600.00	1	35
8631 - 1/3 HP, 115V, Brass impeller.....	\$ 658.00	1	37
8650 - 1/2 HP, 115/230V, Plastic impeller.....	\$ 600.00	1	39
8651 - 1/2 HP, 115/230V, Brass impeller.....	\$ 694.00	1	40
8670 - 3/4 HP, 115/230V, Plastic impeller.....	\$ 674.00	1	40
8671 - 3/4 HP, 115/230V, Brass impeller.....	\$ 789.00	1	41
8610 - 1 HP, 115/230V, Plastic impeller	\$ 741.00	1	42
8611 - 1 HP, 115/230V, Brass impeller	\$ 870.00	1	44

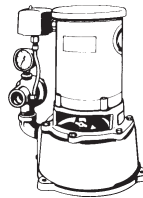
Multi-Stage Jet Pumps



SIZE	LIST	CTN QTY	WT
1500 Series			
1575 - 3/4 HP, 115/230V, Brass impeller	\$ 1,705.00	1	64
1575P - 3/4 HP, 115/230V, Plastic impeller	\$ 1,487.00	1	62
1510 - 1 HP, 115/230V, Brass impeller	\$ 1,887.00	1	67
1510P - 1 HP, 115/230V, Plastic impeller.....	\$ 1,580.00	1	65



SIZE	LIST	CTN QTY	WT
1500SW Series (SW = No regulating valve)			
1575SW - 3/4 HP, 115/230V, Brass impeller	\$ 1,616.00	1	62
1575SWP - 3/4 HP, 115/230V, Plastic impeller	\$ 1,395.00	1	60
1510SW - 1 HP, 115/230V, Brass impeller	\$ 1,703.00	1	65
1510SWP - 1 HP, 115/230V, Plastic impeller.....	\$ 1,481.00	1	64
1515SW - 1 1/2 HP, 115/230V, Brass impeller	\$ 1,766.00	1	69
1515SWP - 1 1/2 HP, 115/230V, Plastic impeller	\$ 1,544.00	1	66



SIZE	LIST	CTN QTY	WT
1000 Series			
1075 - 3/4 HP, 115/230V, Brass impeller	\$ 1,766.00	1	65
1075P - 3/4 HP, 115/230V, Plastic impeller	\$ 1,544.00	1	60
1010 - 1 HP, 115/230V, Brass impeller	\$ 1,859.00	1	69
1010P - 1 HP, 115/230V, Plastic impeller	\$ 1,633.00	1	66

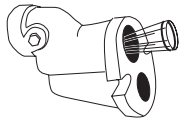
SIZE	LIST	CTN QTY	WT
1000SW Series			
1075SW - 3/4 HP, 115/230V, Brass impeller	\$ 1,717.00	1	66
1075SWP - 3/4 HP, 115/230V, Plastic impeller.....	\$ 1,498.00	1	60
1010SW - 1 HP, 115/230V, Brass impeller	\$ 1,824.00	1	68
1010SWP - 1 HP, 115/230V, Plastic impeller.....	\$ 1,604.00	1	66
1015SW - 1 1/2 HP, 115/230V, Brass impeller.....	\$ 1,913.00	1	68
1015SWP - 1 1/2 HP, 115/230V, Plastic impeller.....	\$ 1,694.00	1	63

Ejector Packages - 4

8200/8600 Ejector Packages

Shallow Well

Single Stage Jet Pumps - High Capacity



SIZE	LIST	CTN QTY	WT
650JP - 1/3 HP	\$ 114.00	1	5
651JP - 1/2 HP	\$ 114.00	1	5
652JP - 3/4 HP	\$ 114.00	1	5
653JP - 1 HP	\$ 114.00	1	5

High Pressure

654JP - 1/3 HP	\$ 114.00	1	5
655JP - 1/2 HP	\$ 114.00	1	5
656JP - 3/4 HP	\$ 114.00	1	5
657JP - 1 HP	\$ 114.00	1	5

Deep Well

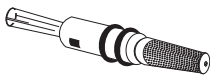
Single Stage Jet Pumps - 4" Two Pipe



7502JP - 1/3 HP - 30/50'	\$ 166.00	1	6
7503JP - 1/3 HP - 40/70'	\$ 166.00	1	4
7508JP - 1/2 HP - 30/50'	\$ 166.00	1	4
7509JP - 1/2 HP - 40/80'	\$ 166.00	1	4
7901JP - 3/4 & 1 HP - 30/50'	\$ 166.00	1	4
7902JP - 1 HP - 50/80'	\$ 166.00	1	4
7903JP - 1 HP - 80/110'	\$ 166.00	1	4
7906JP - 3/4 HP - 50/80'	\$ 166.00	1	4
7907JP - 3/4 HP - 80/100'	\$ 166.00	1	4

To order less foot valve, add L to model number.

2" Single Pipe



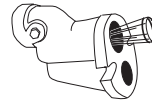
7733JP - 1/3 HP - 30/50'	\$ 214.00	1	3
7734JP - 1/3 HP - 40/70'	\$ 214.00	1	3
7735JP - 1/2 HP - 30/50'	\$ 214.00	1	3
7736JP - 1/2 HP - 40/70'	\$ 214.00	1	3
7808JP - 3/4 & 1 HP - 30/50'	\$ 214.00	1	3
7809JP - 1 HP - 50/80'	\$ 214.00	1	3
7810JP - 1 HP - 80/110'	\$ 214.00	1	4
7812JP - 3/4 HP - 50/80'	\$ 214.00	1	3
7813JP - 3/4 HP - 80/100'	\$ 214.00	1	4

To order less foot valve, add L to model number.

1000/1500 Ejector Packages

Shallow Well

Multi-Stage

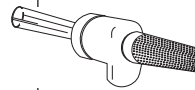


659JP For 1575	\$ 114.00	1	5
658JP For 1510	\$ 114.00	1	5
652JP For 1515	\$ 114.00	1	5

Deep Well

Multi-Stage

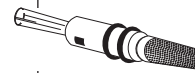
4" Two Pipe



7109MP For 1075 & 1575, 30/70'	\$ 220.00	1	4
7110MP For 1075 & 1575, 60/110'	\$ 220.00	1	4
7111MP For 1075 & 1575, 90/150'	\$ 220.00	1	4
7112MP For 1010 & 1510, 30/80'	\$ 220.00	1	3
7113MP For 1010 & 1510, 60/120'	\$ 220.00	1	3
7114MP For 1010 & 1510, 100/160'	\$ 220.00	1	3

To order less foot valve, add L to model number.

2" Single Pipe



7125MP For 1075 & 1575, 30/70'	\$ 262.00	1	3
7126MP For 1075 & 1575, 60/110'	\$ 262.00	1	3
7127MP For 1075 & 1575, 90/150'	\$ 262.00	1	3
7128MP For 1010 & 1510, 30/80'	\$ 262.00	1	3
7129MP For 1010 & 1510, 60/120'	\$ 262.00	1	3
7130MP For 1010 & 1510, 100/150'	\$ 262.00	1	3

To order less foot valve, add L to model number.

Casing, Adapters, and Flanges

All tapped for 1 1/4" suction pipe.
Gaskets, bolts and washers included.



100-4 - Casing Adapter Plate 6316-114	\$ 162.00	1	2
--	-----------	---	---



101 - 2" For all 8200/8600 & 1500 series 6450-103	\$ 150.00	1	9
--	-----------	---	---



106 - 2" For all 1000,8200,8600,1500 series 6450-110	\$ 275.00	1	9
---	-----------	---	---



108 - 4" For all 1000 series 6421-124	\$ 125.00	1	3
--	-----------	---	---

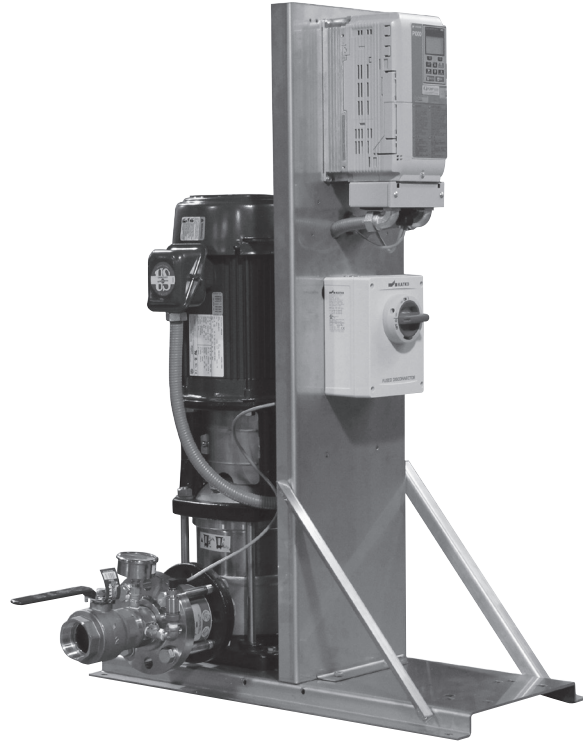
5 - DuraMAC™ Booster Pumps

DuraMAC™

Vertical Multistage Variable Speed Simplex Booster System

Features

- Easy set-up installation
- Variable speed control
- Stainless Steel pump
- Energy Efficient NEMA TEFC motors
- Liquid filled gauges
- Wafer check valves with soft seat
- Stainless Steel base
- 2" Brass No-Lead isolation valves
- NEMA 1 Enclosure
- Suction and discharge transducers
- Fused disconnect
- 2" Suction and discharge

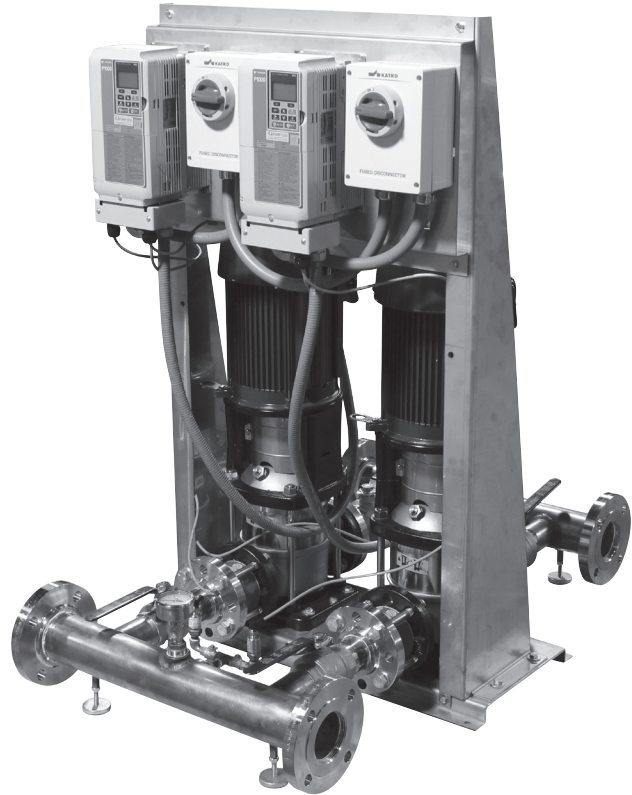


MODELS AVAILABLE

Model	Description	Pump Boost	Voltage	HP	List Price
17062V080Y-1	62 PSI 230V VFD Booster	62 PSI	230 Single Phase	3	CONTACT FACTORY
17062V080Y-3	62 PSI 230V VFD Booster	62 PSI	230 Three Phase	3	
17084V080Y-1	84 PSI 230V VFD Booster	84 PSI	230 Single Phase	5	
17084V080Y-3	84 PSI 230V VFD Booster	84 PSI	230 Three Phase	5	
17104V080Y-1	104 PSI 230V VFD Booster	104 PSI	230 Single Phase	5	
17104V080Y-3	104 PSI 230V VFD Booster	104 PSI	230 Three Phase	5	
17150V080Y-3	150 PSI 230V VFD Booster	150 PSI	230 Three Phase	7 1/2	
17142V120Y-3	142 PSI 230V VFD Booster	142 PSI	230 Three Phase	10	
17056V120Y-1	56 PSI 230V VFD Booster	56 PSI	230 Single Phase	5	
17060V140Y-3	60 PSI 230V VFD Booster	60 PSI	230 Three Phase	5	
17088V140Y-3	88 PSI 230V VFD Booster	88 PSI	230 Three Phase	7 1/2	
17062V080Y-34	62 PSI 460V VFD Booster	62 PSI	460 Three Phase	3	
17084V080Y-34	84 PSI 460V VFD Booster	84 PSI	460 Three Phase	5	
17104V080Y-34	104 PSI 460V VFD Booster	104 PSI	460 Three Phase	5	
17150V080Y-34	150 PSI 460V VFD Booster	150 PSI	460 Three Phase	7 1/2	
17142V120Y-34	142 PSI 460V VFD Booster	142 PSI	460 Three Phase	10	
17060V140Y-34	60 PSI 460V VFD Booster	60 PSI	460 Three Phase	5	
17088V140Y-34	88 PSI 460V VFD Booster	88 PSI	460 Three Phase	7 1/2	

DuraMAC™ Booster Pumps - 5**DuraMAC™****Vertical Multistage Variable Speed
Duplex Booster System****Features**

- Easy set-up installation
- Variable speed control
- Stainless Steel pump
- Energy Efficient NEMA TEFC motors
- Liquid filled gauges
- Wafer check valves with soft seat
- Stainless Steel base
- 2" Brass No-Lead isolation valves
- NEMA 1 Enclosure
- Suction and discharge transducers
- Fused disconnect
- 3" Flanged Stainless Steel Manifolds

**MODELS AVAILABLE**

Model	Description	Pump Boost	Voltage	HP	List Price
17062V160Y-1	62 PSI 230V VFD Booster	62 PSI	230 Single Phase	3	CONTACT FACTORY
17062V160Y-3	62 PSI 230V VFD Booster	62 PSI	230 Three Phase	3	
17084V160Y-1	84 PSI 230V VFD Booster	84 PSI	230 Single Phase	5	
17084V160Y-3	84 PSI 230V VFD Booster	84 PSI	230 Three Phase	5	
17104V160Y-1	104 PSI 230V VFD Booster	104 PSI	230 Single Phase	5	
17104V160Y-3	104 PSI 230V VFD Booster	104 PSI	230 Three Phase	5	
17150V160Y-3	150 PSI 230V VFD Booster	150 PSI	230 Three Phase	7 1/2	
17142V240Y-3	142 PSI 230V VFD Booster	142 PSI	230 Three Phase	10	
17056V240Y-1	56 PSI 230V VFD Booster	56 PSI	230 Single Phase	5	
17060V280Y-3	60 PSI 230V VFD Booster	60 PSI	230 Three Phase	5	
17088V280Y-3	88 PSI 230V VFD Booster	88 PSI	230 Three Phase	7 1/2	
17084V160Y-34	84 PSI 460V VFD Booster	84 PSI	460 Three Phase	5	
17104V160Y-34	104 PSI 460V VFD Booster	104 PSI	460 Three Phase	5	
17150V160Y-34	150 PSI 460V VFD Booster	150 PSI	460 Three Phase	7 1/2	
17142V240Y-34	142 PSI 460V VFD Booster	142 PSI	460 Three Phase	10	
17060V280Y-34	60 PSI 460V VFD Booster	60 PSI	460 Three Phase	5	
17088V280Y-34	88 PSI 460V VFD Booster	88 PSI	460 Three Phase	7 1/2	

Pumps shown on this page do not include pressure switches.

5 - DuraMAC™ Booster Pumps

DuraMAC™ The World's Most Versatile Booster System

Water Pressure Booster System

- Easy Set-up and Installation
- Digital Control
- Dry-Run Protection
- Durable Stainless Steel and No-Lead Brass Connections



Residential

Light Commercial

See Pumps & Accessories Price List for Limited Warranty details.

Residential Boosters

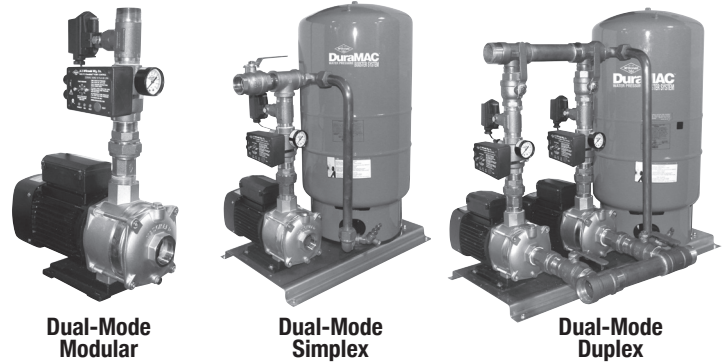
	LIST	CTN QTY	WT
17035R020PC1 - 35 PSI 120V System...	\$ 1,511.00	1	33
17052R020PC1 - 52 PSI 120V System...	\$ 1,697.00	1	37
17070R020PC2 - 70 PSI 230V System...	\$ 2,022.00	1	40

Light Commercial Boosters

17040C035PC2 - 40 PSI 230V System...	\$ 1,963.00	1	38
17062C035PC2 - 62 PSI 230V System...	\$ 2,070.00	1	41
17078C035PC2 - 78 PSI 230V System...	\$ 2,183.00	1	35

Commercial Boosters

	LIST	CTN QTY	WT
Dual-Mode Modular			
17044C070PC2-M - 44 PSI 230V System	\$ 3,007.00	1	56
17060C070PC2-M - 60 PSI 230V System	\$ 3,196.00	1	56
Dual-Mode Simplex			
17044C070PC2-S - 44 PSI 230V System	\$ 5,198.00	1	168
17060C070PC2-S - 60 PSI 230V System	\$ 6,053.00	1	168
Dual-Mode Duplex			
17044C120PC2-D - 44 PSI 230V System...	\$ 10,860.00	1	252
17060C120PC2-D - 60 PSI 230V System...	\$ 12,239.00	1	252




Dual-Mode Modular

Dual-Mode Simplex

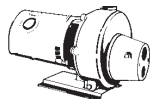
Dual-Mode Duplex

6 - Centrifugal Pumps - 27000 Super Booster

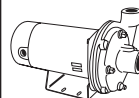
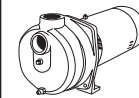
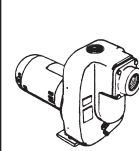
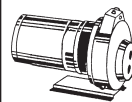
SIZE	LIST	CTN QTY	WT	SIZE	LIST	CTN QTY	WT
							
5 GPM - J Series				15 GPM - L Series			
27050JHB - 1/2 HP.....	\$ 1,223.00	1	38	27050LHB - 1/2 HP	\$ 1,168.00	1	35
27075JHB - 3/4 HP.....	\$ 1,359.00	1	45	27075LHB - 3/4 HP	\$ 1,224.00	1	36
27100JHB - 1 HP.....	\$ 1,551.00	1	46	27100LHB - 1 HP	\$ 1,333.00	1	41
				27150LHB - 1 1/2 HP	\$ 1,611.00	1	52
7 GPM - V Series				27200LHB - 2 HP	\$ 1,752.00	1	47
27050VHB - 1/2 HP	\$ 1,086.00	1	36	20 GPM - P Series			
27075VHB - 3/4 HP	\$ 1,166.00	1	43	27075PHB - 3/4 HP	\$ 1,193.00	1	40
27100VHB - 1 HP	\$ 1,347.00	1	44	27100PHB - 1 HP	\$ 1,293.00	1	37
				27150PHB - 1 1/2 HP	\$ 1,512.00	1	52
10 GPM - K Series				27200PHB - 2 HP	\$ 1,840.00	1	47
27050KHB - 1/2 HP	\$ 984.00	1	36	25 GPM - M Series			
27075KHB - 3/4 HP	\$ 1,068.00	1	38	27100MHB - 1 HP	\$ 1,191.00	1	37
27100KHB - 1 HP	\$ 1,191.00	1	42	27150MHB - 1 1/2 HP	\$ 1,390.00	1	49
27150KHB - 1 1/2 HP	\$ 1,391.00	1	53	27200MHB - 2 HP	\$ 1,840.00	1	52
27200KHB - 2 HP	\$ 1,740.00	1	54				

Centrifugal Pumps - 6

SIZE	LIST	CTN QTY	WT
27000 Series Pump Ends Only			
5 GPM - J Series			
27050JHBPE - 1/2 HP	\$ 741.00	1	18
27075JHBPE - 3/4 HP	\$ 825.00	1	21
27100JHBPE - 1 HP	\$ 931.00	1	19
7 GPM - V Series			
27050VHBPE - 1/2 HP	\$ 659.00	1	13
27075VHBPE - 3/4 HP	\$ 712.00	1	17
27100VHBPE - 1 HP	\$ 809.00	1	19
10 GPM - K Series			
27050KHBPE - 1/2 HP	\$ 589.00	1	14
27075KHBPE - 3/4 HP	\$ 641.00	1	15
27100KHBPE - 1 HP	\$ 714.00	1	16
27150KHBPE - 1 1/2 HP	\$ 835.00	1	18
27200KHBPE - 2 HP	\$ 1,045.00	1	17
15 GPM - L Series			
27050LHBPE - 1/2 HP	\$ 805.00	1	12
27075LHBPE - 3/4 HP	\$ 816.00	1	15
27100LHBPE - 1 HP	\$ 853.00	1	17
27150LHBPE - 1 1/2 HP	\$ 965.00	1	18
27200LHBPE - 2 HP	\$ 1,000.00	1	16
20 GPM - P Series			
27075PHBPE - 3/4 HP	\$ 717.00	1	12
27100PHBPE - 1 HP	\$ 782.00	1	15
27150PHBPE - 1 1/2 HP	\$ 907.00	1	16
27200PHBPE - 2 HP	\$ 1,106.00	1	20
25 GPM - M Series			
27100MHBPE - 1 HP	\$ 835.00	1	12
27150MHBPE - 1 1/2 HP	\$ 835.00	1	12
27200MHBPE - 2 HP	\$ 1,026.00	1	15



SIZE	LIST	CTN QTY	WT
1500XSW Series - Multi-Stage			
1575XSW - 3/4 HP, 115/230V-1 Phase- Brass	\$ 1,510.00	1	64
1575XSWP - 3/4 HP, 115/230V-1 Phase- Plastic	\$ 1,298.00	1	59
1510XSW - 1 HP, 115/230V-1 Phase- Brass	\$ 1,599.00	1	64
1510XSWP - 1 HP, 115/230V-1 Phase- Plastic	\$ 1,400.00	1	61
1515XSW - 1 1/2 HP, 115/230V-1 Phase- Brass	\$ 1,665.00	1	66
1515XSWP - 1 1/2 HP, 115/230V-1 Phase- Plastic	\$ 1,568.00	1	64



SIZE	LIST	CTN QTY	WT
8600SW Series - Plastic Impeller			
8650SW - 1/2 HP, 115/230V	\$ 564.00	1	37
8670SW - 3/4 HP, 115/230V	\$ 613.00	1	39
8610SW - 1 HP, 115/230V	\$ 672.00	1	41

SIZE	LIST	CTN QTY	WT
8400 Series - Self-Priming			
84300 - 3 HP 230V	\$ 2,676.00	1	136
84500 - 5 HP 230V	\$ 2,804.00	1	146
Cast Iron Impeller			

SIZE	LIST	CTN QTY	WT
87000 Series - Rainmaker			
Self-Priming			
87070 3/4 HP	\$ 837.00	1	45
87100 1 HP	\$ 904.00	1	48
87150 1 1/2 HP	\$ 972.00	1	51
87200 2 HP	\$ 1,071.00	1	51

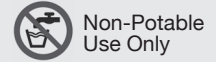
SIZE	LIST	CTN QTY	WT
88000 Series - Self-Priming			
88075 - 3/4 HP 115/230V	\$ 935.00	1	60
88100 - 1 HP 115/230V	\$ 1,003.00	1	65
88150 - 1 1/2 HP 115/230V	\$ 1,040.00	1	70
88200 - 2 HP 230V	\$ 1,366.00	1	73

SIZE	LIST	CTN QTY	WT
90000 Series - Workhorse			
Single Phase			
92030 - 1/3 HP, 115/230V-Plastic	\$ 584.00	1	36
92031 - 1/3 HP, 115/230V-Brass	\$ 683.00	1	32
92050 - 1/2 HP, 115/230V-Plastic	\$ 617.00	1	36
92051 - 1/2 HP, 115/230V-Brass	\$ 714.00	1	34
92070 - 3/4 HP, 230/115V-Plastic	\$ 673.00	1	36
92100 - 1 HP, 230/115V-Plastic	\$ 739.00	1	38
92150 - 1 1/2 HP, 230/115V-Plastic	\$ 817.00	1	42
92200 - 2 HP, 230V-Plastic	\$ 1,056.00	1	43
92250 - 2 1/2 HP, 230V-Plastic	\$ 1,273.00	1	43
92300 - 3 HP, 230V-Plastic	\$ 1,521.00	1	54

SIZE	LIST	CTN QTY	WT
Three Phase			
93050 - 1/2 HP, 230/460V-Plastic	\$ 638.00	1	32
93051 - 1/2 HP, 230/460V-Brass	\$ 739.00	1	33
93070 - 3/4 HP, 230/460V-Plastic	\$ 697.00	1	34
93100 - 1 HP, 230/460V-Plastic	\$ 740.00	1	37
93150 - 1 1/2 HP, 230/460V-Plastic	\$ 889.00	1	41
93200 - 2 HP, 230/460V-Plastic	\$ 1,217.00	1	48
93300 - 3 HP, 230/460V-Plastic	\$ 1,630.00	1	58

Pumps shown on this page do not include pressure switches.

7 - Utility & Sump Pumps



SIZE	LIST	CTN QTY	WT	SIZE	LIST	CTN QTY	WT
------	------	---------	----	------	------	---------	----

DuraMAC™ Sump Pumps



5025PTSP



5025PVSP



5033PVSP



5030CVSP



5033CVSP



5050CVSP

5025PTSP - 1/4 HP, 120V - Plastic	\$ 176.00	1	9
5025PVSP - 1/4 HP, 120V - Plastic	\$ 187.00	1	9
5033PVSP - 1/3 HP, 120V - Plastic	\$ 225.00	1	10
5030CTSP - 3/10 HP, 120V - Cast Iron	\$ 239.00	1	19
5030CVSP - 3/10 HP, 120V - Cast Iron	\$ 263.00	1	20
5030CUSP - 3/10 HP, 120V - Cast Iron	\$ 248.00	1	18

5030CUSP25 - 3/10 HP, 120V - Cast Iron, 25'	\$ 288.00	1	19
5033CVSP - 1/3 HP, 120V - Cast Iron	\$ 298.00	1	25
5033CUSP - 1/3 HP, 120V - Cast Iron	\$ 289.00	1	24
5033CUSP25 - 1/3 HP, 120V - Cast Iron, 25'	\$ 361.00	1	25
5050CVSP - 1/2 HP, 120V - Cast Iron	\$ 344.00	1	25
5050CUSP25 - 1/2 HP, 120V - Cast Iron, 25'	\$ 395.00	1	27



Sink / Drain System

5030CVSPK - 3/10 HP, 115V - Cast Iron	\$ 502.00	1	30
---	-----------	---	----



Utility Pump

5020PUUP - 1/5 HP, 115V	\$ 149.00	1	8
-------------------------------	-----------	---	---



EZ Sump Kit

5033CVSPEZ - 1/3 HP, 115V - Cast Iron	\$ 341.00	1	28
---	-----------	---	----



Pump Basin Package

5025PTSPCWB - Clear Water Sump Pump 1 1/2" Check Valve, Discharge Pipe & 18x24 Basin Package	\$ 442.00	1	29
--	-----------	---	----



Battery Back-Up

5000PVSPBU - Battery Back-Up Sump Pump	\$ 526.00	1	14
--	-----------	---	----



Crawl Space

5030CVSPCSK - Crawl Space Sump Pump System	\$ 644.00	1	34
--	-----------	---	----

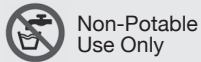


DuraMAC™ Pedestal Pumps



5033PVDP - Pedestal Pump 1/3 HP Sump Pump	\$ 223.00	1	16
---	-----------	---	----

5050CVDP - Pedestal Pump 1/2 HP Sump Pump	\$ 344.00	1	28
---	-----------	---	----



Sewage, Effluent, and Grinder Pumps - 8

DuraMAC™ Sewage / High Volume Pumps



5050CTSJ

5050CTSJ - 1/2 HP, 120V - Cast Iron.....	\$ 474.00	1	27
5050CTSJ25 - 1/2 HP, 120V - Cast Iron, 25'...	\$ 512.00	1	28
5050CVSJ - 1/2 HP, 120V - Cast Iron	\$ 528.00	1	26
5050CUSJ - 1/2 HP, 120V - Cast Iron	\$ 444.00	1	25
5050CTSJPAC - 1/2 HP, 120V - Cast Iron	\$ 763.00	1	54

(with alarm, order alarm # 6190-025, see page 33)



5050CVSJ



5050CTSJPAC



5050CTSJPACSDA



5050CTSJPAC24

5050CTSJPACSDA - 1/2 HP, 120V - Cast Iron..	\$ 1,427.00	1	62
5050CTSJPAC24 - 1/2 HP, 120V - Cast Iron..	\$ 1,306.00	1	62
5050CTSJ15 - 1/2 HP, 120V - Cast Iron / SS..	\$ 684.00	1	25
5050CVSJ15 - 1/2 HP, 120V - Cast Iron / SS..	\$ 729.00	1	25

DuraMAC™ Effluent Pumps / High Head



5033CUEF



5050CTEF



5050CVEF

5033CTEF25 - 1/3 HP, 120V - Cast Iron, 25' ..	\$ 399.00	1	27
5033CUEF - 1/3 HP, 120V - Cast Iron.....	\$ 360.00	1	24
5050CTEF - 1/2 HP, 120V - Cast Iron	\$ 403.00	1	25
5050CUEF - 1/2 HP, 120V - Cast Iron.....	\$ 403.00	1	24
5050CVEF - 1/2 HP - Cast Iron.....	\$ 458.00	1	25

High Head

5050CUEFH25 -1/2 HP, 120V - Cast Iron / SS.....	\$ 746.00	1	26
5050CTEFH25 -1/2 HP, 120V - Cast Iron / SS.....	\$ 803.00	1	26

Split Lid Sewage



5050CTSJPACSL - Split Lid Sewage Simplex System with 18 x 30 Basin
..... \$ 866.00 1 58

Accessories

5000BLK Mounting Block.....	\$ 40.00	1	1
5000LSKIT - Lake Screen Kit.....	\$ 53.00	1	1
5000LSBAG - Lake Screen Bag.....	\$ 20.00	1	.1
5000LS - Lake Screen Filter.....	\$ 46.00	1	2

(use accessories discount)



Guardian Sump Pumps

GUARDIAN PRICED ON QUANTITY



747H20	\$ 599.00	1	11	747H20RR Radon Ready	\$ 599.00	1	10
747H20-0001 with RPZ.....	\$ 741.00	1	16	747H20A w/Tank Alert Alarm	\$ 700.00		
				747H20RRA Radon Ready w/Alarm	\$ 700.00		

8 - Sewage, Effluent, and Grinder Pumps



High Head Effluent Pumps

less Check valve, cable guard, cable guard screws, with hole drilled into center of discharge

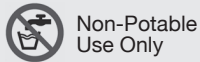
AY Model #	Flow	HP	Voltage	10" Lead	10' Lead	25' Lead	50' Lead	100' Lead
				X996	X993	X995	X994	
22050K2AJ	10	1/2	115	\$1,084.00	\$1,084.00	\$1,246.00	\$1,296.00	\$1,428.00
22050K2J	10	1/2	230	\$1,084.00	\$1,084.00	\$1,246.00	\$1,296.00	\$1,428.00
22075K2J	10	3/4	230	\$1,239.00	\$1,239.00	\$1,405.00	\$1,449.00	\$1,552.00
22100K2J	10	1	230	\$1,384.00	\$1,384.00	\$1,547.00	\$1,596.00	\$1,697.00
22150K2J	10	1 1/2	230	\$1,945.00	\$1,945.00	\$2,111.00	\$2,155.00	\$2,258.00
22050P2AJ	20	1/2	115	\$1,099.00	\$1,099.00	\$1,261.00	\$1,310.00	\$1,442.00
22050P2J	20	1/2	230	\$1,099.00	\$1,099.00	\$1,261.00	\$1,310.00	\$1,442.00
22075P2J	20	3/4	230	\$1,237.00	\$1,237.00	\$1,391.00	\$1,447.00	\$1,550.00
22100P2J	20	1	230	\$1,325.00	\$1,325.00	\$1,404.00	\$1,537.00	\$1,638.00
22150P2J	20	1 1/2	230	\$1,822.00	\$1,822.00	\$1,987.00	\$2,006.00	\$2,135.00
22050E2AJ	30	1/2	115	\$1,134.00	\$1,134.00	\$1,300.00	\$1,344.00	\$1,447.00
22050E2J	30	1/2	230	\$1,134.00	\$1,134.00	\$1,300.00	\$1,344.00	\$1,447.00
22075E2J	30	3/4	230	\$1,288.00	\$1,288.00	\$1,453.00	\$1,498.00	\$1,601.00
22100E2J	30	1	230	\$1,438.00	\$1,438.00	\$1,585.00	\$1,652.00	\$1,768.00
22150E2J	30	1 1/2	230	\$2,024.00	\$2,024.00	\$2,190.00	\$2,212.00	\$2,337.00

Pump Ends

Flowrate, gal/min	A.Y. Model #	HP	List
10	22050KAJ	1/2	\$ 305.00
10	22075KJ	3/4	\$ 317.00
10	22100KJ	1	\$ 407.00
10	22150KJ	1 1/2	\$ 651.00
20	22050PAJ	1/2	\$ 305.00
20	22075PJ	3/4	\$ 325.00
20	22100PJ	1	\$ 355.00
20	22150PJ	1 1/2	\$ 439.00
30	22050EJ	1	\$ 423.00
30	22075EJ	1 1/2	\$ 478.00
30	22100EJ	1	\$ 534.00
30	22150EJ	1 1/2	\$ 580.00

Leads (use accessories discount)

Part #	# Wire	Length	List
6635-234	2	10	\$ 63.00
6635-235	2	50	\$ 212.00
6635-236	2	100	\$ 316.00
6635-237	2	25	\$ 167.00



Sewage, Effluent, and Grinder Pumps - 8

Effluent Pumps

Includes 15' cable & 2" NPT discharge.

Cast Iron Construction



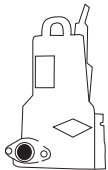
SIZE	LIST	CTN QTY	WT
404011EF - 4/10 HP, 115V	\$ 608.00	1	29
404011EFA - 4/10 HP, 115V with piggyback float	\$ 683.00	1	32
405011EF - 1/2 HP, 115V	\$ 1,116.00	1	36
405011EFA - 1/2 HP, 115V with piggyback float	\$ 1,192.00	1	38
405012EF - 1/2 HP, 208/230V	\$ 1,116.00	1	36
405012EFA - 1/2 HP, 208/230V with piggyback float	\$ 1,192.00	1	38
405011EFH - 1/2 HP, 115V High Head	\$ 1,942.00	1	71
405012EFH - 1/2 HP, 208/230V High Head	\$ 1,942.00	1	72
410012EF - 1 HP, 208/230V	\$ 2,726.00	1	75
410032EF - 1 HP, 208/230V, 3 Ph	\$ 2,599.00	1	57
410034EF - 1 HP, 460V, 3 Ph	\$ 2,599.00	1	57
410012EFH - 1 HP, 208/230V High Head	\$ 2,726.00	1	77

Grinder Pumps



Residential / Light Duty Grinder Pumps

120912GRP - 2 HP, 230V-single phase .	\$ 3,260.00	1	53
---------------------------------------	-------------	---	----



Heavy Duty Grinder Pumps

120212GRP - 2 HP, 230V-single phase..	\$ 3,992.00	1	76
120232GRP - 2 HP, 230V-3 phase...	\$ 3,992.00	1	70
120234GRP - 2 HP, 460V-3 phase...	\$ 3,992.00	1	70

120212GRP

Sewage Ejectors

Includes 15' cable & 2" NPT vertical discharge.

Cast Iron Construction



SIZE	LIST	CTN QTY	WT
404011SJ - 4/10 HP, 115V	\$ 639.00	1	34
404011SJA - 4/10 HP, 115V with piggyback float	\$ 714.00	1	35
405011SJ - 1/2 HP, 115V	\$ 1,152.00	1	36
405011SJA - 1/2 HP, 115V with piggyback float	\$ 1,224.00	1	37
405012SJ - 1/2 HP, 208/230V	\$ 1,152.00	1	35
405012SJA - 1/2 HP, 208/230V with piggyback float	\$ 1,224.00	1	38
405032SJ - 1/2 HP, 208/230V, 3 Ph	\$ 2,151.00	1	78
405034SJ - 1/2 HP, 460V, 3 Ph	\$ 2,151.00	1	78
407511SJ - 3/4 HP, 115V	\$ 2,505.00	1	85
407512SJ - 3/4 HP, 208/230V	\$ 2,505.00	1	40
407532SJ - 3/4HP, 208/230V, 3 Ph	\$ 2,249.00	1	80
407534SJ - 3/4 HP, 460V, 3 Ph	\$ 2,249.00	1	80
410012SJ - 1 HP, 208/230V	\$ 2,726.00	1	89
410032SJ - 1 HP, 208/230V, 3 Ph	\$ 2,599.00	1	80
410034SJ - 1 HP, 460V, 3 Ph	\$ 2,599.00	1	80
415012SJ - 1 1/2 HP, 208/230V	\$ 3,181.00	1	90
415032SJ - 1 1/2 HP, 208/230V, 3 Ph	\$ 3,112.00	1	84
415034SJ - 1 1/2 HP, 460V, 3 Ph	\$ 3,112.00	1	84
420012SJ - 2 HP, 208/230V	\$ 3,821.00	1	90
420032SJ - 2 HP, 208/230V, 3 Ph	\$ 3,821.00	1	84
420034SJ - 2 HP, 460V, 3 Ph	\$ 3,821.00	1	84

-For pumps larger than 2 HP, contact factory.

See page 36 & 37 (Accessories)

For Control Panels, Basins Covers, & Float Switches.

9 - Dewatering Pump



Non-Potable
Use Only

SIZE	LIST	CTN QTY	WT
Mini Mac Transfer Pumps			
300611TPK - 115V	\$ 235.00	1	6
300622RK - Impeller Repair Kit.....	\$ 29.00	1	1
(Use repair parts discount)			

SIZE	LIST	CTN QTY	WT
Submersible Dewatering Pumps			
01.5G.3V - 1/3 HP - 115V	\$ 999.00	1	30
02G.5V - 1/2 HP - 115V	\$ 1,187.00	1	31
02G1V - 1 HP - 115V	\$ 2,037.00	1	51

SIZE	LIST	CTN QTY	WT
DC Dewatering Pumps - Handymac			
303022SP Dewatering Pump-			
DC 1/3 HP	\$ 2,798.00	1	36
<i>(Item below use Accessories discount)</i>			
303022B Carry Box for			
above pump.....	\$ 482.00	1	16

SIZE	LIST	CTN QTY	WT
Air Powered Pump - Sludgemaster			
325070SL Sludgemaster	\$ 6,528.00	1	70

SIZE	LIST	CTN QTY	WT
Cast Iron Sewage & Trash Pumps			
Electric Motor Driven			
02S3VZ - 3 HP - TEFC - 3 Ph	\$ 2,941.00	1	87
02S3V - 3 HP - TEFC - 1 Ph	\$ 2,888.00	1	91
02S5VZ - 5 HP - TEFC - 3 Ph.....	\$ 4,093.00	1	146
02S5V - 5 HP - TEFC - 1 Ph	\$ 5,205.00	1	170
03S7.5VZ - 7 1/2 HP - TEFC - 3 Ph	\$ 5,107.00	1	200
03S7.5V - 7 1/2 HP - TEFC - 1 Ph ...	\$ 6,033.00	1	215
03S10VZ - 10 HP - TEFC - 3 Ph	\$ 5,770.00	1	215
03S10V - 10 HP - TEFC - 1 Ph	\$ 6,952.00	1	285
04S15VZ - 15 HP - TEFC - 3 Ph	\$ 6,938.00	1	287

General Purpose Pumps*

SIZE	LIST	CTN QTY	WT
Engine Driven Dewatering Pumps			
Cast Iron Construction			
02G3AC - 3 1/2 HP - B&S Cast Iron	\$ 1,487.00	1	70
02G5HC - 5 HP - Honda Cast Iron	\$ 2,001.00	1	76

SIZE	LIST	CTN QTY	WT
Thermoplastic Construction			
02G5AT - 4 HP - B&S INTEK Plastic	\$ 1,423.00	1	52
02G5HT - 5 HP Honda Plastic - 2"	\$ 1,665.00	1	41

High Pressure Pumps - P Series*•

SIZE	LIST	CTN QTY	WT
Die-Cast Aluminum - Engine Driven			
02P5XAR - 6 1/2 HP - B&S CP650	\$ 2,295.00	1	90
02P5XHR - 5 1/2 HP - Honda	\$ 2,990.00	1	80
02P5XZR - 4.7 HP - Hatz	\$ 8,471.00	1	107
02S5HK - High Pressure Hose Kit	\$ 1,104.00	1	38

Accessories/Repair Parts

*Optional Wheel Kit

03G8WK10 -10" Semi-Pneumatic			
6195-314	\$ 335.00	1	26

Hose Kit (Items use accessories discount)

02S5HK -2"			
6195-141	\$ 1,104.00		

Seal & Gasket Repair Kit (Repair Parts Multiplier)

2SX/3SX - All Models			
EPDM	Contact Factory		

2SX/3SX - All Models			
Viton®	Contact Factory		



Dewatering Pump - 9

Trash Pumps - S Series*•

Die-Cast Aluminum - Engine Driven



Briggs & Stratton

SIZE	LIST	CTN QTY	WT
02S5XAR - 6 1/2 HP - Alum	\$ 2,337.00	1	100
03S5XAR - 6 1/2 HP - Alum	\$ 2,569.00	1	96

Honda

02S5XHR - 5 1/2 HP - Alum	\$ 3,037.00	1	91
03S5XHR - 5 1/2 HP - Alum	\$ 3,272.00	1	100

Hatz Diesel

02S5XZR - 4.7 HP - Alum	\$8,497.00	1	112
03S5XZR - 4.7 HP - Alum	\$8,728.00	1	121

Trash Pumps*•



Cast Aluminum - Engine Driven

03S8IR - 8 HP - B&S 1350	\$ 4,883.00	1	143
03S9HR - 8 HP - Honda	\$ 5,836.00	1	136
04S13HPV - 13 HP - Honda	\$ 12,165.00	1	299

(13 HP includes transport dolly/wheel kit)

Heavy Duty Trash Pumps •



Cast Aluminum - Engine Driven

03S8HR - 8 HP - Honda	\$ 8,664.00	1	136
04S13HR - 13 HP - Honda	\$ 14,151.00	1	262

6" Trash Pumps*•



06S24HSV 24 HP - Honda	\$ 29,193.00	1	725
06S24HTV 24 HP - Honda	\$ 29,632.00	1	1000
06S24YSV 24 HP - Yanmar	\$ 50,022.00	1	975
06S24YTV 24 HP - Yanmar	\$ 50,460.00	1	1250

Skid Mounted - S
Trailer Mounted - T

Dredging Pumps*•



Cast Iron - Engine Driven

02J5HCR - 5 1/2 HP - Honda	\$ 3,673.00	1	85
----------------------------	-------------	---	----

Self-Priming Diaphragm Pump*•



Cast Aluminum Construction

03D1.5V - 1 1/2 HP - Elec Motor	\$ 6,339.00	1	186
03D5A - 5 1/2 HP - B&S Intek	\$ 6,023.00	1	181
03D5H - 5 1/2 HP - Honda	\$ 6,952.00	1	183
03D5Z - 4.7 HP - Hatz Diesel	\$ 12,999.00	1	203

Fire Pump*•

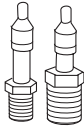


Aluminum Construction - Engine Driven

02.5FP13HR - 13 HP Honda	\$ 7,306.00	1	200
02.5FP13AR - 13 HP B&S	\$ 7,718.00	1	225
02.5FP23AR - 23 HP B&S	\$ 11,834.00	1	255

•HP Class: Indicates classification for marketing purposes and does not indicate actual engine horsepower. Contact engine manufacturer for actual HP specifications.

10 - Pump Accessories



Sniffer Valve

SIZE	LIST	CTN QTY	WT
7891 - 1/8" No-Lead Brass	\$ 12.00	1	1
7892 - 1/4" No-Lead Brass	\$ 15.00	1	1



Torque Arrest

877H - 4" to 8" - Two piece rubber	\$ 35.00	1	2
------------------------------------	----------	---	---

Silicon Bronze Check Valves - continued



SIZE	LIST	CTN QTY	WT
No-Lead, double tapped			
540SB - FNPT x FNPT, tapped 1/8" and 1/4"			
6814-327 3/4"	\$ 62.00	1	1
6814-010 1"	\$ 70.00	1	2
6814-011 1 1/4"	\$ 82.00	1	2
6814-012 1 1/2"	\$ 95.00	1	2
6814-013 2"	\$ 139.00	1	4



No-Lead			
500MS - FNPT x MNPT, no tappings			
6814-192 1" x 1 1/4"	\$ 49.00	1	2
6814-193 1 1/4" x 1 1/4"	\$ 54.00	1	2
6814-194 2" x 2"	\$ 139.00	1	4

500MSS - Stainless FNPT x MNPT, no tapping			
6814-195 1" x 1 1/4"	\$ 53.00	1	2
6814-196 1 1/4"	\$ 68.00	1	2

No-Lead Brass Check Valves - Spring Loaded FNPT x MNPT Threads			
6200-188 - 6" x 6" (Ductile Iron)	\$ 1,115.00	1	40
* (Includes 6" long nipple)			

500D Ductile Iron Check Valves - FNPT x FNPT with Breakoff Plug			
3 (6814-314)	\$ 429.00	1	10
4 (6814-315)	\$ 599.00	1	10

6814-316 Breakoff Plug Only	\$ 74.00	1	.2
-----------------------------	----------	---	----

No-Lead Brass Relief Valves

Factory set at 30, 75, or 100 PSI. Composition disc on brass seat. 180°F max. temp. Field adjusting not recommended.

6214 Brass Relief Valves			
1/2" 30#	\$ 90.00	6	4
1/2" 75#	\$ 90.00	6	5
3/4" 30#	\$ 101.00	6	7
3/4" 75#	\$ 101.00	6	8
3/4" 100#	\$ 101.00		
1" 30#	\$ 135.00	4	7
1" 75#	\$ 135.00	4	7
1" 100#	\$ 135.00		
1 1/4" 30#	\$ 207.00	6	17
1 1/4" 65#	\$ 207.00	6	18
1 1/4" 100#	\$ 207.00		
1 1/2" 30#	\$ 394.00	1	4
1 1/2" 65#	\$ 394.00	1	6
2" 30#	\$ 403.00	1	6
2" 65#	\$ 403.00	1	6

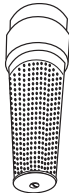


Electrical Instruments & Accessories

For Submersible Installations

6635-229 Motor Leads 48", 4" Jam Nut, (2) w/ground, 1 1/2 HP & below	\$ 44.00	1	1
6635-230 Motor Leads 48", 4" Jam Nut, (3) w/ground, 2 HP & below	\$ 48.00	1	1
6635-232 Motor Leads 100", Jam Nut Style (3) w/ground, 3 HP & above	\$ 59.00	1	1
6635-245 4" 48" High Thrust - Clamp Style Motor Leads three wire	\$ 48.00	1	1
6635-242 Motor Leads 100" High Thrust - Clamp Style (3) w/ground, 3 HP & above	\$ 65.00	1	2
6635-243 Motor Leads 6" 13ft. Brass Jam Nut	\$ 216.00	1	7
6617-255 Sta-Kons (#12 & #10)	\$ 1.80	1	1
6617-336 Sta-Kons (#8 & #6)	\$ 4.49	20	1
6617-115 Set (3) Mech. Connectors	\$ 16.00	1	1
6610-224 Lightning Arrestor	\$ 86.00	1	1
6610-260 Three-phase Lightning Arrestor	\$ 324.00	1	1
6617-135 Heat Shrink Splice Kit Three-wire (10/12/4 gauge)	\$ 10.30	1	.0
6617-136 Heat Shrink Splice Kit Two-wire (12 gauge)	\$ 9.03	1	.0

No-Lead Silicon Bronze Foot Valves



No-Lead Perforated stainless steel strainer. Spring loaded. 400 PSI working pressure.			
400SB - FNPT			
6814-000 - 3/4"	\$ 44.00	1	1
6814-001 - 1"	\$ 45.00	1	1
6814-002 - 1 1/4"	\$ 54.00	1	1
6814-003 - 1 1/2"	\$ 75.00	1	2
6814-004 - 2"	\$ 122.00	1	4

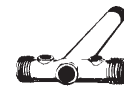
Silicon Bronze Check Valves



No-Lead Spring loaded. 400 PSI working pressure.			
500SB - Bronze finish, no tappings. FNPT x FNPT			
6814-031 - 1/2"	\$ 47.00	1	1
6814-005 - 3/4"	\$ 51.00	1	1
6814-006 - 1"	\$ 54.00	1	2
6814-007 - 1 1/4"	\$ 70.00	1	2
6814-008 - 1 1/2"	\$ 85.00	1	2
6814-009 - 2"	\$ 131.00	1	4
6814-197 - 2 1/2"	\$ 588.00	1	10

Ductile Iron 670SB			
6200-200 3"	\$ 410		

Tank Tees



704SB-Silicon Bronze body - copper leg			
13" long 1 1/4" MNPT three ends x 1" FNPT two ends w/2, 3/4" taps on top surface.			
	\$ 100.00	1	3



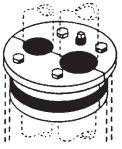
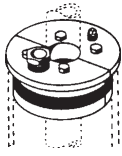
740SB - 2 Taps - 3/4" x 1"			
11" x 10" x 1" - Length x Height x Connection			
	\$ 100.00	9	27

741SB - 2 Taps - 1" x 1 1/4"			
11" x 10" x 1 1/4" - Length x Height x Connection			
	\$ 164.00	6	29

For additional No-Lead Brass Tank Tees, see A.Y. McDonald Plumbing Products.

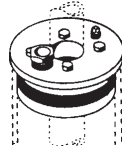
Pump Accessories - 10

SIZE	LIST	CTN QTY	WT
Sanitary Well Seals			
Two piece, cast iron. Rubber comp. seal			
459S-One pipe			
4" x 1"	\$ 53.00	1	4
4" x 1 1/4"	\$ 53.00	1	4
4 1/2" x 1 1/4"	\$ 70.00	1	4
5" x 1"	\$ 68.00	1	6
5" x 1 1/4"	\$ 73.00	1	6
5 5/8" x 1"	\$ 70.00	1	8
5 5/8" x 1 1/4"	\$ 70.00	1	7
6" x 1"	\$ 81.00	1	8
6" x 1 1/4"	\$ 81.00	1	8
6" x 1 1/2"	\$ 79.00	1	8
6" x 2"	\$ 152.00	1	8

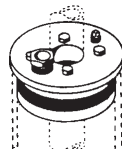


460S-Two pipe			
4" x 1 1/4" x 1"	\$ 68.00	1	3
5" x 1 1/4" x 1"	\$ 71.00	1	6
5 5/8" x 1 1/4" x 1"	\$ 71.00	1	7
6" x 1 1/4" x 1"	\$ 79.00	1	8
6" x 1 1/2" x 1 1/4"	\$ 79.00	1	8

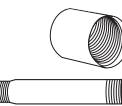
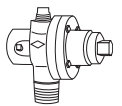
SIZE	LIST	CTN QTY	WT
Plastic Sanitary Well Seals			
401S 4" x 1"	\$ 45.00	1	2
402S 4" x 1 1/4"	\$ 45.00	1	2
451S 4 1/2" x 1"	\$ 46.00	1	2
452S 4 1/2" x 1 1/4"	\$ 46.00	1	2
453S 4 1/2" x 1 1/2"	\$ 46.00	1	2
501S 5" x 1"	\$ 47.00	1	2
502S 5" x 1 1/4"	\$ 47.00	1	2
601S 6" x 1"	\$ 60.00	1	3
602S 6" x 1 1/4"	\$ 60.00	1	3



SIZE	LIST	CTN QTY	WT
Stainless Steel Sanitary Well Seals			
359S 6" x 2"	\$ 55.00	6	45
359SWS 4" x 1"	\$ 73.00	1	2
359SWS 4" x 1 1/4"	\$ 73.00	1	2
359SWS 5" x 1"	\$ 90.00	1	3
359SWS 5" x 1 1/4"	\$ 90.00	1	3
359SWS 5" x 2"	\$ 90.00	1	3
359SWS 6" x 1"	\$ 202.00	1	4
359SWS 6" x 1 1/4"	\$ 202.00	1	4
359SWS 6" x 2"	\$ 202.00	1	4
359SWS 8" x 2"	\$ 202.00	1	8
359SWS 8" x 3"	\$ 208.00	1	8
359SWS 10" x 2"	\$ 214.00	1	17



SIZE	LIST	CTN QTY	WT
Miscellaneous			
105 Automatic regulating valve-1"	\$ 174.00	10	33
6411-225 Turned couplings 1 1/4"	\$ 25.00	1	1
6127-300 Reducing nipple- 1 1/4" x 1" x 8"	\$ 26.00	1	1
6814-177 Spray paint-(not pictured) dark green-13 oz.	\$ 26.00	1	1
3126-676 - Galvanized Face Bushing 1 1/4" x 1	\$ 26.00	1	1

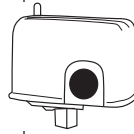


SIZE	LIST	CTN QTY	WT
Tubing and Fittings			
6155-356 - Straight 1/4" plas x 1/4" MNPT	\$ 3.96	1	.0
6155-355 - 90° 1/4" plastic x 1/8" MNPT	\$ 4.56	1	.0
6610-169 - Plastic tubing 1/4" x 5'	\$ 4.49	1	1
6610-168 - Plastic tubing 1/4" x 100'	\$ 65.00	1	8
6155-355 - Elbo Conn 1/4" Tube x 1/4" NPT	\$ 4.56		
6155-356 - Conn-Fast&Tite-1/4" Tube x 1/8" NPT	\$ 3.96		

*Use with switches in right column

SIZE	LIST	CTN QTY	WT
Air Volume Controls			
Diaphragm type			
3129-378 - 1/4"-30 AV	\$ 59.00	1	1
3129-388 - 1/4"-42 AV	\$ 82.00	1	2
3129-379 - 1/4"-80 AV	\$ 105.00	1	2
3129-380 - 3/8"-120 AV	\$ 118.00	1	3
3129-389 - 1/4"-45 AV	\$ 47.00	1	1
3129-386 - 3/8"-100 AV	\$ 54.00	1	1
Float type			
3129-383 Deep well-894	\$ 53.00	1	1

SIZE	LIST	CTN QTY	WT
Pressure Switches			
3129-421 - 1/4" - 20-40 (9013FSG2J20)	\$ 48.00	1	1
3129-423 - 1/4" - 30-50 (9013FSG2J21)	\$ 48.00	1	1
3129-432 - 1/4" - 40-60 (9013FSG2J24)	\$ 48.00	1	1
3129-449 - 1/4" - 60-80 (9013FHG2J99)	\$ 48.00	1	2
3129-442 - 1/4" - 20-40 (9013FSG2J20C20) 20 pack - Price per each switch	\$ 41.00	20	17
3129-443 - 1/4" - 30-50 (9013FSG2J21C20) 20 pack - Price per each switch	\$ 41.00	20	16
3129-448 - 1/4" - 40-60 (9013FSG2J24C20) 20 pack - Price per each switch	\$ 41.00	20	15
3129-414 - 1/4" - 20-40 (9013FSG2J20P)	\$ 51.00	1	1
3129-436 - 1/4" - 30-50 (9013FSG2J21P)	\$ 51.00	1	2
3129-420 - 1/4" - 20-40 (9013FSG2J20M4)	\$ 57.00	1	2
3129-433 - 1/4" - 30-50 (9013FSG2J21M4)	\$ 57.00	1	1
3129-438 - 1/4" - 40-60 (9013FSG2J24M4)	\$ 57.00	1	1
3129-439 - 1/4" - 30-50 (9013FSG2J21M1)	\$ 59.00	1	1
3129-430 - 1/4" - 20-40 (9013GSG2J20)	\$ 130.00	1	3
3129-435 - 1/4" - 30-50 (9013GSG2J21)	\$ 130.00	1	2
3129-434 - 1/4" - 40-60 (9013GSG2J24)	\$ 130.00	1	3
3129-461 - 1/4" 60-80 (9013GSG2J25)	\$ 130.00	1	2
3129-462 - 1/4" 50-70 (9013GSG2J33)	\$ 130.00	1	2
3129-453 - 1/4" - 50/70 (9013FYG2J33M4)	\$ 70.00	1	1
3129-457 - 1/4" - 20-40	\$ 24.00	1	1
3129-458 - 1/4" - 30-50	\$ 24.00	1	1
3129-459 - 1/4" - 40-60	\$ 24.00	1	1
3129-460 - 1/4" 10-5 Reverse Acting	\$ 75.00	1	1



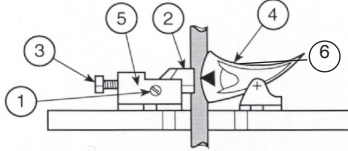
SIZE	LIST	CTN QTY	WT
Pressure Gauges			
5999-897 Steel Case, Vertical 1-100 lbs., 2" dial, 1/4" MNPT	\$ 18.00	1	.2
6012-567 - 200PSI Liquid Filled	\$ 25.00		

10 - Pump Accessories

SIZE	LIST	CTN QTY	WT
------	------	---------	----

Pipe Holder

8871 For 1", 1 1/4", 1 1/2", or 2" pipe
 6814-110 \$ 266.00 1 25
 Max. Recommended load = 2000 pounds.



PIPE HOLDER REPAIR PARTS

1. 3117-612 Set screw 1/2-13 X 3/4	\$ 2.53	1	0
2. 6814-236 Adjusting slide	\$ 17.00	1	3
3. 3117-611 Adjusting screw	\$ 17.00	1	1
4. 6814-235 Pipe holder dog	\$ 70.00	1	5
5. 6814-234 Body Casting (Holder)	\$ 144.00	1	14
6. 6814-237 Pin	\$ 16.00	1	1
7. 6814-238 Wood Base	\$ 65.00	1	4
3122-104 Cotter Pin	\$ 0.18	1	0

Float Valves

8713 - 18" long			
6814-102 3/4	\$ 57.00	1	2
6814-104 1	\$ 57.00	1	2

Float Valve Repair Parts


6814-326 Replacement ball	\$ 4.43	1	0
6814-204 Screw-3/4	\$ 2.67	1	0
6814-207 Lever arm	\$ 25.00	1	1
6814-312 Float Body 3/4	\$ 40.00	1	1
6814-313 Float Body 1	\$ 40.00	1	1



Floats for Float Valve

6813-199 8715 3" X 12" diameter float.....	\$ 47.00	12	25
--	----------	----	----

Mechanical Pump Float Switches

Piggyback mechanical float switches allow manually operated pumps to be operated automatically. Individually boxed. Mounting strap and molded plug included (230V plugs are  style.)



Wide Angle, Piggyback - Open

For pumps up to 1/2 HP 115V or 1 HP 230V
 13 max running amps. Normally open, pump down.

6190-012 - 115V-10' cord	\$ 91.00	1	2
6190-013 - 115V 15' cord	\$ 98.00	1	2
6190-014 - 230V 15' cord	\$ 102.00	1	2
6190-011 - 115V 20' cord.....	\$ 102.00	1	3
6190-015 - 230V 20' cord	\$ 107.00	1	3

Wide Angle, Piggyback - Closed

For pumps up to 1/2 HP 115V or 1 HP 230V
 13 max running amps. Normally closed, pump up.

6190-027 - 115V-15' cord	\$ 98.00	1	2
--------------------------------	----------	---	---



Heavy Duty, Wide Angle, Piggyback

For pumps up to 3/4 HP 115V or 2 HP 230V
 15 max running amps. Normally open, pump down.

6190-016 - 115V-15' cord	\$ 138.00	1	3
6190-017 - 230V 15' cord	\$ 147.00	1	3
6190-018 - 115V 20' cord	\$ 147.00	1	3
6190-019 - 230V 20' cord	\$ 160.00	1	3

Double Float Switch

6190-142 - 115V - 15' Cord Pump down w/plug	\$ 178.00	1	4
6190-143 - 230V - 15' Cord Pump down w/plug	\$ 187.00	1	4
6190-173 230V, 30' Cord, Pump down w/plug	\$ 208.00	1	5



Vertical - Piggyback

For pumps up to 1/2 HP 115V or 1 HP 230V
 13 max running amps. Pumping range from .75" to 6.5"

6190-020 - 115V-15' cord	\$ 106.00	1	2
6190-021 - 115V/230V 30' cord.....	\$ 118.00	1	3
6190-022 - 115V 20' cord	\$ 111.00	1	3
6190-023 - 230V 20' cord	\$ 126.00	1	3



Mechanically Activated

15 Amp - Piggyback Switch Less Plug - 10' Cable

6190-008 - Normally closed.....	\$ 111.00	1	2
6190-130 - Normally open	\$ 111.00	1	2



DuraMAC™ Floats

5000-T--10 - Tethered 10'	\$ 75.00	1	1
5000-T--25 - Tethered 25'	\$ 91.00	1	1
5000-V--10 - Vertical 10'	\$ 102.00	1	2
5000-V--25 - Vertical 25'	\$ 126.00	1	1

Vertical Float

Control Switches



6190-044 SignalMaster®, 20' cable, external weight, NC, Mech	\$ 86.00	1	4
6190-045 SignalMaster®, 15' cable, pipe clamp, No, Mech	\$ 86.00	1	2
6190-046 SignalMaster®, 20' cable, NC	\$ 82.00	1	2
6190-144 Sensor Float, 15' cable, NC	\$ 86.00	1	2
6190-035 PS Patrol System w/o switch	\$ 525.00	1	13

Pump Accessories - 10

Liquid Level Alarm Systems



SIZE	LIST	CTN QTY	WT
6190-137 Tank Alert AB-indoor 115V-Nema I panel with mechanical switch	\$ 198.00	1	3
6190-025 Tank Alert XT-indoor/Outdoor with mechanical switch	\$ 307.00	1	4
6190-176 Tank Alert AB w/Auxiliary Contacts	\$ 252.00	1	3

Miscellaneous



Non-Potable Use Only

6190-121-2" Check Valve-Plastic	\$ 68.00	1	3
6190-122-2" Check Valve-Brass.....	\$ 334.00	1	5
6190-123-3" Check Valve-Brass.....	\$ 679.00	1	5
6190-006 - Repair Check Valve for sump pumps-1/4, 1/3, 1/2 HP.....	\$ 86.00	1	1
6190-129 - Repair Float Switch for Old Style Sump Pump 1/4, 1/3, 1/2 HP.....	\$ 147.00	1	1
6190-141 - Repair Float Switch for New Style Sump Pump 1/4, 1/3, 1/2 HP.....	\$ 57.00	1	1

Heavy Duty Grinder Pump Accessories



Non-Potable Use Only



Control Panels & Start Kit

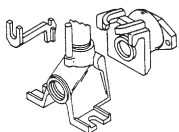
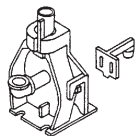
6194-110-DUPLEX-three phase, For use with 120232GRP	\$ 4,724.00	1	20
6194-015 Start Kit.....	\$ 578.00	1	2

Pedestal Base

6194-109-For Heavy Duty Grinder Pumps	\$ 273.00	1	10
---	-----------	---	----

Guide Rails

6194-119-Standard-Grinder Pumps	\$ 1,027.00	1	57
6194-120 Ball Check Guide Rail for 120212GRP.....	\$ 893.00	1	10
6194-121 Ball Check Guide Rail for 120912GRP.....	\$ 831.00	1	1



Poly Basins, Covers, & Kits



Non-Potable Use Only

Simplex

6192-010 18"x30" Poly Basin w/4" adapt-a-flex	\$ 256.00	1	13
6192-011 18" Structural foam cover, 2 x 2 with gaskets (ind. boxed).....	\$ 94.00	1	6
6192-012 18" steel cover, 2 x 2, (ind. boxed).....	\$ 94.00	1	8
6192-013 18" x 30" Simplex Basin kit with structural foam cover	\$ 291.00	1	21
6192-014 18" x 30" Simplex Basin kit with steel cover.....	\$ 291.00	1	27

Simplex basins include 18" x 30" basin, cover, 4" schedule 40 adapt-a-flex inlet, lid gasket, discharge and vent gasket, and cord grommet.

Duplex

6192-015 36"x30" Poly Basin-no inlet	\$ 845.00	1	45
6192-016 36" Duplex cover, 10 ga. steel.....	\$ 1,098.00	1	20
6192-017 36" Duplex cover, 1/4" steel	\$ 1,481.00	1	30

Basin Accessories

6192-018 4" schedule 40 adapt-a-flex inlet	\$ 52.00	1	1
6192-019 4" caulking hub inlet	\$ 99.00	1	2

Submersible Motor Adapters

6180-326 4" Pump End x 6" Motor.....	\$ 391.00		
--------------------------------------	-----------	--	--

Adapters

6180-114 - 500SDA 5X6 Discharge Adaptor.....	\$ 255.00	1	7
--	-----------	---	---

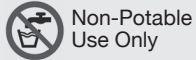
(Use accessories discount)

11 - Pump Repair Parts

Motor Control Components Control Box Components

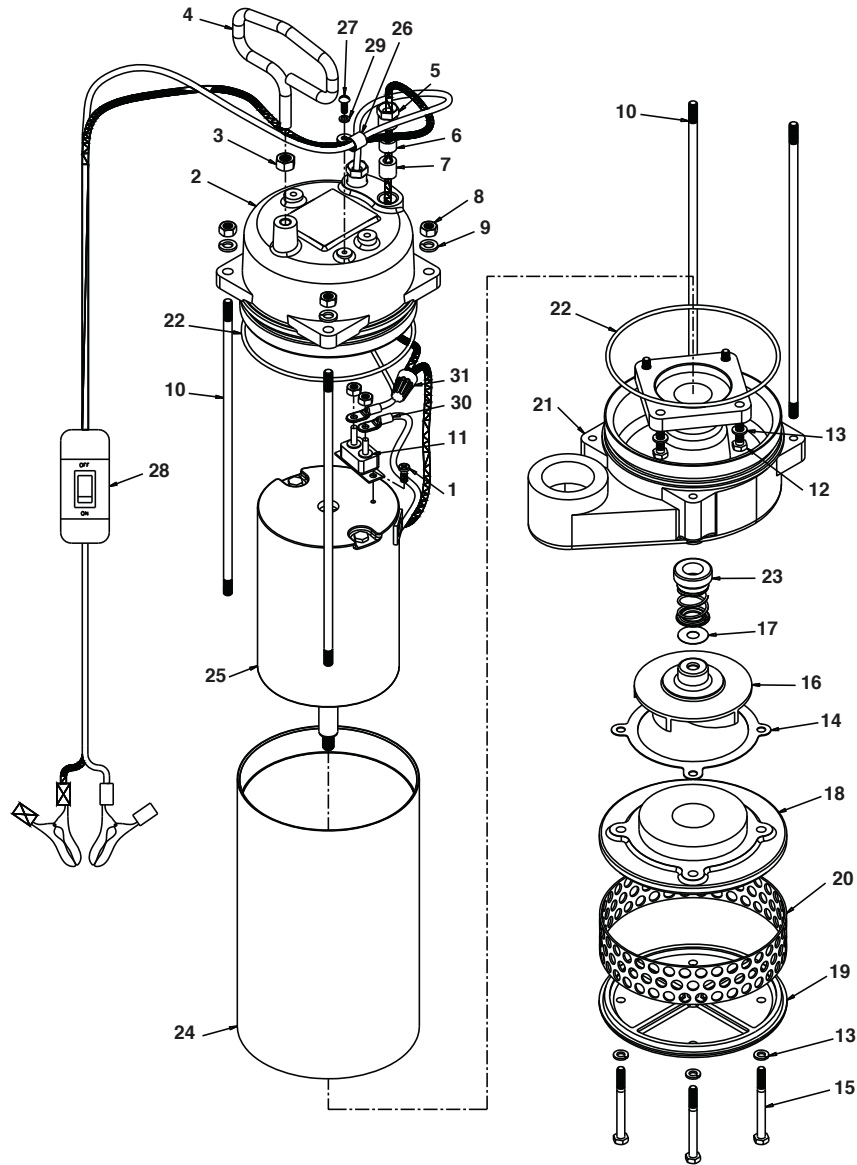
HP	Volts	Starting Capacitor		Cap & OL Assembly		QD Relay Kit		Overload Kit	
		Part #	List	Part #	List	Part #	List	Part #	List
1/3	115	6617-378	\$ 66.00	6617-260	\$ 52.00	6617-404	\$ 119.00		
1/3	230	6617-379	\$ 78.00	6617-261	\$ 52.00	6617-400	\$ 132.00		
1/2	115	6617-380	\$ 89.00	6617-262	\$ 56.00	6617-405	\$ 110.00		
1/2	230	6617-381	\$ 71.00	6617-263	\$ 52.00	6617-401	\$ 151.00	6617-409	\$ 85.00
3/4	230	6617-382	\$ 73.00	6617-264	\$ 53.00	6617-402	\$ 135.00	6617-410	\$ 85.00
1	230	6617-266	\$ 56.00	6617-265	\$ 52.00	6617-403	\$ 151.00	6617-411	\$ 134.00

HP	Volts	Starting Cap.		Run Cap.		Start O.L.		Main O.L.		Relay		Contactor	
		Part #	List	Part #	List	Part #	List	Part #	List	Part #	List	Part #	List
1 1/2 OLD	230	6617-266	\$ 56.00	6617-282	\$ 53.00	6617-277	\$ 42.00	N/A		6617-269	\$ 105.00	N/A	
2	230	6617-266	\$ 56.00	6617-283	\$ 53.00	6617-290	\$ 25.00	6617-280	\$ 46.00	6617-269	\$ 105.00	N/A	
2 DLX	230	6617-266	\$ 56.00	6617-283	\$ 53.00	6617-290	\$ 25.00	6617-280	\$ 46.00	6617-269	\$ 105.00	N/A	
3	230	6617-226	\$ 103.00	6617-288	\$ 86.00	6617-291	\$ 26.00	6617-281	\$ 40.00	6617-269	\$ 105.00	N/A	
3 DLX	230	6617-226	\$ 103.00	6617-288	\$ 86.00	6617-291	\$ 26.00	6617-281	\$ 40.00	6617-269	\$ 105.00	N/A	
5	230	6617-284	\$ 156.00	6617-289	\$ 69.00	6617-292	\$ 26.00	6617-340	\$ 110.00	6617-424	\$ 173.00	N/A	
5 DLX	230	6617-284	\$ 156.00	6617-289	\$ 69.00	6617-292	\$ 26.00	6617-340	\$ 110.00	6617-424	\$ 173.00	6617-297	\$ 268.00
7 1/2	230	6617-284	\$ 156.00	6617-288	\$ 86.00	6617-339	\$ 54.00	6617-293	\$ 52.00	6617-424	\$ 173.00	N/A	
		6617-341	\$ 192.00										
7 1/2 DLX	230	6617-284	\$ 156.00	6617-288	\$ 86.00	6617-339	\$ 54.00	6617-294	\$ 56.00	6617-424	\$ 173.00	6617-298	\$ 584.00
		6617-341	\$ 192.00										
		6617-285	\$ 83.00										
10	230	6617-341	\$ 192.00	6617-287	\$ 78.00	6617-295	\$ 56.00	N/A		6617-424	\$ 173.00	N/A	
		6617-284	\$ 156.00										
10 DLX	230	6617-285	\$ 83.00	6617-287	\$ 78.00	6617-295	\$ 56.00	N/A		6617-424	\$ 173.00	6617-298	\$ 584.00
		6617-341	\$ 192.00										
15 DLX	230	6617-284	\$ 156.00	6617-288	\$ 86.00	6617-295	\$ 56.00	N/A		6617-424	\$ 173.00	6617-299	\$ 1,045.00
		6617-286	\$ 91.00										
		6617-284	\$ 156.00										



Pump Repair Parts - 11

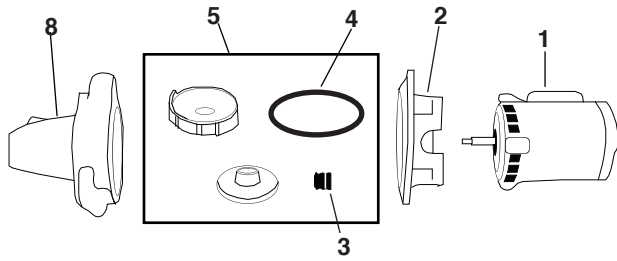
303022SP Repair Parts



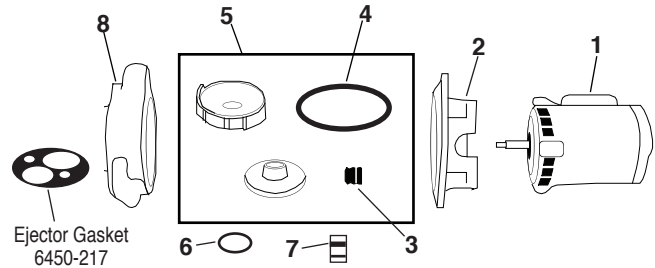
Part #	Plate #	Vender Part#	Description	List Price	Part #	Plate #	Vender Part#	Description	List Price
6195-258	303022STSC	710-004-330	1 Self-tapping screw	\$ 3.82	6195-179	303022SHIM	740-001-115	18 Shim	\$ 9.48
6195-259	303022MTCV	258-017-157	2 Motor cover	\$ 122.00	6195-274	303022STRN	612-001-156	19 Base Plate	\$ 175.00
6195-260	303022HNUT	545-005-330	3 Hex nut	\$ 3.98	6195-273	303022SCTC	258-001-157	20 Suction cover	\$ 199.00
6195-261	303022HNDL	405-009-000	4 Handle	\$ 33.00	6195-177	303022SCRN	700-001-330	21 Strainer screen	\$ 35.00
6195-262	303022GLNT	543-001-162	5 Gland nut	\$ 9.48	6195-275	303022CSVL	181-001-155	22 Casing volute 1 1/2 NPT	\$ 579.00
6195-263	303022GLSP	770-007-162	6 Gland spacer	\$ 5.99	6195-276	303022RING	560-022-360	23 O-ring	\$ 3.68
6195-264	303022SLRG	675-016-360	7 Sealing ring	\$ 5.91	6195-178	303022SEAL	720-005-000	25 Seal	\$ 172.00
6195-265	303022HXNT	545-004-330	8 Hex nut	\$ 3.98	6195-277	303022MTR	525-005-000	26 Motor	\$ 2,081.00
6195-266	303022LKWS	900-004-330	9 Lock washer	\$ 3.98	6195-278	303022CBCL	200-003-000	27 Cable clamp	\$ 6.45
6195-267	303022STUD	807-011-330	10 Stud	\$ 17.00	6195-279	303022MCSC	706-007-330	28 Machine screw	\$ 5.23
6195-268	303022CRBK	270-001-000	11 Circuit breaker	\$ 33.00	6195-280	303022PWRC	150-036-000	29 Power cable assembly	\$ 401.00
6195-269	303022HHCS	170-028-330	12 Hex head capscrew	\$ 3.98	6195-281	303022LCKW	900-002-330	30 Lock washer	\$ 3.02
6195-270	303022LWSR	900-001-330	13 Lock washer	\$ 3.98	6195-282	303022CMPL	510-003-000	Compression lug	\$ 16.00
6195-271	303022CSGS	360-001-440	14 Casing gasket	\$ 5.84	6195-283	303022SSKT	475-132-000	Shell & stud kit	\$ 313.00
6195-272	303022HCSR	170-003-115	15 Hex head capscrew	\$ 4.14	6195-180	303022EYE	321-001-330	Eye bolt	\$ 293.00
6195-176	303022MPLR	444-001-010	16 Impeller	\$ 241.00	6195-182	303022HK	475-238-000	Handle update kit	\$ 42.00
6195-179	303022SHIM	740-001-115	17 Shim	\$ 9.48	6195-154	303022SCR	706-006-330	Handle screw	\$ 15.00

11 - Pump Repair Parts

8100 / 8200 Repair Parts



8100 SHALLOW WELL SERIES



8200 CONVERTIBLE SERIES

Model	1 Motor		5 Impeller/Diffuser Kit*		Impeller		Diffuser	
	Part #	List	Part #	List	Part #	List	Part #	List
8130, 8130HP 8230	6155-240	\$ 388.00	6127-324	\$ 68.00	6155-359	\$ 29.00	6130-201	\$ 15.00
8131, 8131HP, 8231	6155-240	\$ 388.00	6127-325	\$ 188.00	6155-331	\$ 151.00	6130-201	\$ 15.00
8150, 8150HP, 8250	6155-240	\$ 388.00	6127-326	\$ 68.00	6155-358	\$ 29.00	6130-201	\$ 15.00
8151, 8151HP, 8251	6155-240	\$ 388.00	6127-327	\$ 188.00	6155-330	\$ 155.00	6130-201	\$ 15.00
8170, 8170HP, 8270	6155-241	\$ 448.00	6127-328	\$ 71.00	6155-370	\$ 32.00	6155-223	\$ 17.00
8171, 8171HP, 8271	6155-241	\$ 448.00	6127-329	\$ 234.00	6155-334	\$ 188.00	6155-223	\$ 17.00
8110, 8110HP, 8210	6155-242	\$ 508.00	6127-330	\$ 71.00	6155-369	\$ 32.00	6155-223	\$ 17.00
8111, 8111HP, 8211	6155-242	\$ 508.00	6127-331	\$ 234.00	6155-333	\$ 188.00	6155-223	\$ 17.00

*Kit includes impeller, diffuser, rotary seal & housing gasket with instructions

Part #	Description	List Price
6155-373	2 Adapter	\$ 110.00
6422-100	3 Rotary Seal	\$ 21.00
6155-224	4 Housing Gasket D09 or Older	\$ 1.32
3138-995	4 O-ring E09 or Newer	\$ 0.91
3134-133	6 Pump Body O-ring D09 or Newer	\$ 0.25
6155-238	7 Reg. Valve assembly	\$ 4.78
6155-236	8 8100 Pump Body assembly	\$ 181.00
6155-237	8 8200 Pump Body assembly	\$ 192.00

Part #	Description	List Price
6127-248	Pump Foot	\$ 6.09
3100-530	Foot Capscrews	\$ 0.27
3100-528	Adapter Capscrews	\$ 0.45
5999-903	Diffuser Screws	\$ 0.32
3110-951	Set Screw	\$ 1.14
6450-217	Ejector Gasket	\$ 6.78
5999-958	Bolt-on Jet Body	\$ 69.00

Shallow Well Venturi - Nozzle - O-ring Assemblies

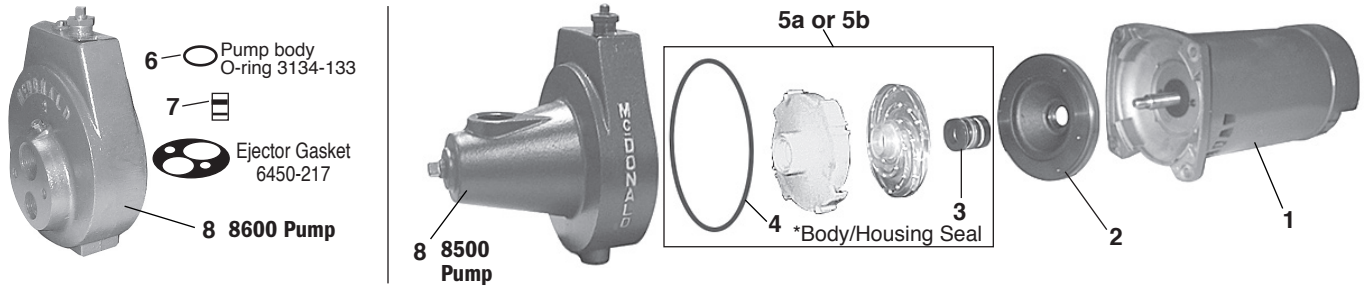
HP	Models	Part#	List
1/3	8130-8131, 650JP, 8530, 8531	6155-203	\$ 9.73
1/2	8150-8151, 651JP, 8550, 8551	6155-204	\$ 9.73
3/4	8170-8171, 652JP, 8570, 8571	6155-212	\$ 9.73
1	8110-8111, 653JP, 8510, 8511	6155-213	\$ 9.73
1/3	8130HP, 8131HP, 654JP, 8530HP, 8531HP	6155-202	\$ 9.73
1/2	8150HP, 8151HP, 655JP, 8550HP, 8551HP	6155-205	\$ 9.73
3/4	8170HP, 8171HP, 656JP, 8570HP, 8571HP	6155-211	\$ 9.73
1	8110HP, 8111HP, 657JP, 8510HP, 8511HP	6155-214	\$ 15.00
	Nozzle/venturi o-ring for assemblies	3134-120	\$ 0.18

Deep Well Kits - Jet Package

Models	Venturi		Nozzle	
	Part#	List	Part#	List
7502JP, 7733JP	6413-203	\$ 17.00	6128-201	\$ 4.34
7503JP, 7734JP	6413-204	\$ 17.00	6128-201	\$ 4.34
7508JP, 7735JP	6414-207	\$ 17.00	6128-201	\$ 4.34
7509JP, 7736JP	6414-208	\$ 20.00	6128-201	\$ 4.34
7901JP, 7808JP	6413-250	\$ 23.00	6413-246	\$ 6.09
7902JP, 7809JP	6413-249	\$ 23.00	6413-246	\$ 6.09
7903JP, 7810JP	6413-248	\$ 23.00	6413-246	\$ 6.09
7906JP, 7812JP	6413-253	\$ 23.00	6413-246	\$ 6.09
7907JP, 7813JP	6413-254	\$ 23.00	6413-246	\$ 6.09

Pump Repair Parts - 11

8500 / 8600 Repair Parts



Model	1 Motor		5b Impeller / Diffuser Kit*		5a Impeller / Diffuser Kit D99 & Older		Current Model				D99 & Older			
	Part #	List	Part #	List	Part #	List	Impeller	List	Diffuser	List	Impeller	List	Diffuser	List
8530, 8530HP, 8630	6164-203	\$261.00	6127-324	\$68.00	6164-211	\$7900	6155-359	\$29.00	6130-201	\$15.00	6155-360	\$31.00	6130-201	\$15.00
8531, 8531HP, 8631	6164-203	\$261.00	6127-325	\$188.00			6155-331	\$151.00	6130-201	\$15.00			6130-201	\$15.00
8550, 8550HP, 8650	6164-200	\$261.00	6127-326	\$68.00	6164-205	\$68.00	6155-358	\$29.00	6130-201	\$15.00	6155-361	\$31.00	6130-201	\$15.00
8551, 8551HP, 8651	6164-200	\$261.00	6127-327	\$188.00			6155-330	\$155.00	6130-201	\$15.00			6130-201	\$15.00
8570, 8570HP, 8670	6164-201	\$310.00	6127-328	\$71.00	6164-207	\$68.00	6155-370	\$32.00	6155-223	\$17.00	6155-365	\$29.00	6155-223	\$17.00
8571, 8571HP, 8671	6164-201	\$310.00	6127-329	\$234.00			6155-334	\$188.00	6155-223	\$17.00			6155-223	\$17.00
8510, 8510HP, 8610	6164-202	\$348.00	6127-330	\$71.00	6164-209	\$68.00	6155-369	\$32.00	6155-223	\$17.00	6155-366	\$29.00	6155-223	\$17.00
8511, 8511HP, 8611	6164-202	\$348.00	6127-331	\$234.00			6155-333	\$188.00	6155-223	\$17.00			6155-223	\$17.00

*Kit includes impeller, diffuser, rotary seal, housing gasket, & O-ring with instructions.

Part #	Description	List Price
6155-284	2 Seal Plate	\$ 40.00
6422-100	3 Rotary Seal	\$ 21.00
3138-995	4 O-Ring E03 & Newer	\$ 0.91
6155-224	4 Housing gasket D03 & Older	\$ 1.32
6164-212	8 8500 Pump Body assembly	\$ 204.00
3134-133	6 Pump Body O-ring	\$0.25
6164-213	8 8600 Pump Body assembly	\$ 214.00
6155-238	7 Reg. Valve assembly	\$ 4.78
6127-248	Pump Foot	\$ 6.09
3100-530	Foot Capscrews	\$ 0.27
3100-565	Body Capscrews	\$ 0.53
5999-903	Brass diffuser screws	\$ 0.32
3110-951	Set screw	\$ 1.14
6450-217	Ejector Gasket	\$ 6.78

Miscellaneous Parts

Part #	Description	List Price
3119-112	101-2 Casing Adapter Washers	\$ 0.61
3100-527	1/2-13x1" Capscrew	\$ 0.80
3100-303	3/8-16 x 1 1/4 Sq Hd. Bolt	\$ 0.99
6450-214	2" Rubber Packing	\$ 9.48
6450-215	2" Gland	\$ 35.00
6450-261	Casing Adapter Gasket	\$ 4.36

11 - Pump Repair Parts

1000 / 1500 Repair Parts

Description	1/2 HP 1050 & 1550		3/4HP 1075 & 1575		1 HP 1010 & 1510		3/4HP 1075SW & 1575SW		1 HP 1010SW & 1510SW		1 1/2 HP 1015SW & 1515SW	
	Part #	List	Part #	List	Part #	List	Part #	List	Part #	List	Part #	List
1 Motor	6127-154	\$ 340.00	6127-154	\$ 340.00	6127-160	\$ 395.00	6127-154	\$ 340.00	6127-160	\$ 395.00	6127-156	\$ 440.00
9 Brass Impeller	6316-210	\$ 207.00	6316-209	\$ 206.00	6316-208	\$ 196.00	6316-210	\$ 207.00	6316-209	\$ 206.00	6316-208	\$ 196.00
9 Plastic Impeller	6316-252	\$ 35.00	6316-251	\$ 33.00	6316-250	\$ 37.00	6316-252	\$ 35.00	6316-251	\$ 33.00	6316-250	\$ 37.00

Reference page 43 for diagrams of 1000 & 1500 Series pumps.

Part #	Description	List Price
3129-394	2 1000 Series motor cover (Magnetek)	\$ 53.00
6127-334	3 Shaft assembly	\$ 127.00
6316-241	4 Adapter	\$ 219.00
6152-207	5 Body Gasket	\$ 2.16
3100-529	6 7 Capscrews	\$ 0.36
6422-103	8 Shaft Seal	\$ 44.00
6316-216	10 1st Diffuser	\$ 107.00
3121-509	11 Drive pin (supplied w/1 duffuser)	\$ 3.47
6316-217	12 2nd diffuser	\$ 89.00
6127-335	15 Diffuser cover assembly *	\$ 157.00
6421-124	16 Flange assembly+	\$ 125.00
3100-545	17 Diffuser capscrews	\$ 0.61

6127-336	18 Impeller spacer kit*	\$ 25.00
3104-131	19 Impeller locknut	\$ 1.13
6316-228	20 Impeller Key	\$ 6.09
6316-213	21 Cover gasket	\$ 4.34
6316-234	22 1000 Series body assembly	\$ 384.00
6316-235	23 1500 Series body assembly	\$ 395.00
6127-248	24 1500 Series pump foot	\$ 6.09
3100-530	25 Pump foot capscrew	\$ 0.27
5999-902	26 Series vent cock (1000 Series)	\$ 8.13
3126-103	26 1/8" plug	\$ 1.01
6316-227	Diffuser Cover	\$ 147.00
5999-842	Impeller spacer 1500/1000 Series	\$ 30.00

*Includes body gasket (5) and cover gasket (21).

+For 1000 series, sold separately.

Shallow Well Jet Packages

Models	HP	Venturi Assembly	
		Part#	List
659 JP	3/4 HP	6155-314	\$ 20.00
658JP	1 HP	6155-316	\$ 6.68
652JP	1 1/2 HP	6155-212	\$ 9.73

Deep Well Jet Package

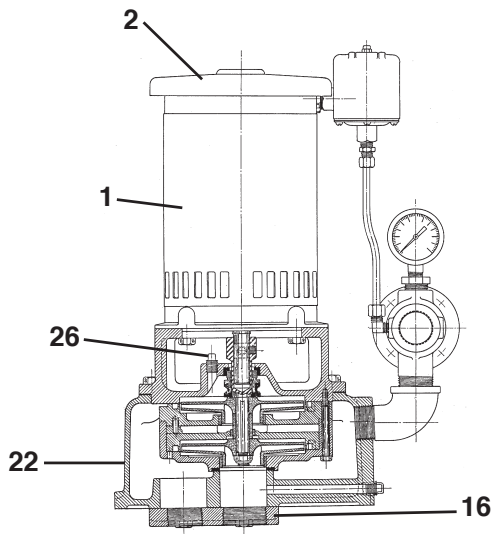
2003 & Newer Models	Venturi		Nozzle	
	Part#	List	Part#	List
7109MP & 7125MP	6414-207	\$ 17.00	5999-911	\$ 52.00
7110MP & 7126MP	6413-203	\$ 17.00	6128-201	\$ 4.34
7111MP & 7127MP	6421-217	\$ 17.00	5999-911	\$ 51.00
7112MP & 7128MP	6421-219	\$ 17.00	5999-913	\$ 52.00
7113MP & 7129MP	6414-208	\$ 20.00	5999-912	\$ 52.00
7114MP & 7130MP	6414-208	\$ 20.00	5999-911	\$ 52.00

Miscellaneous - Pressure Regulator

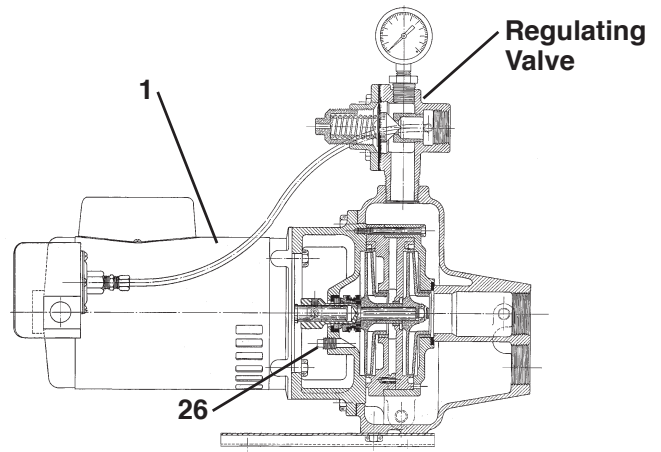
Model	Part #	Description	List Price
--	5999-863	Body assembly	\$ 75.00
--	6152-213	Adjustment screw	\$ 17.00
--	6453-204	Diaphragm for reg. valve	\$ 9.48
--	6453-224	Regulator spring	\$ 6.09

Pump Repair Parts - 11

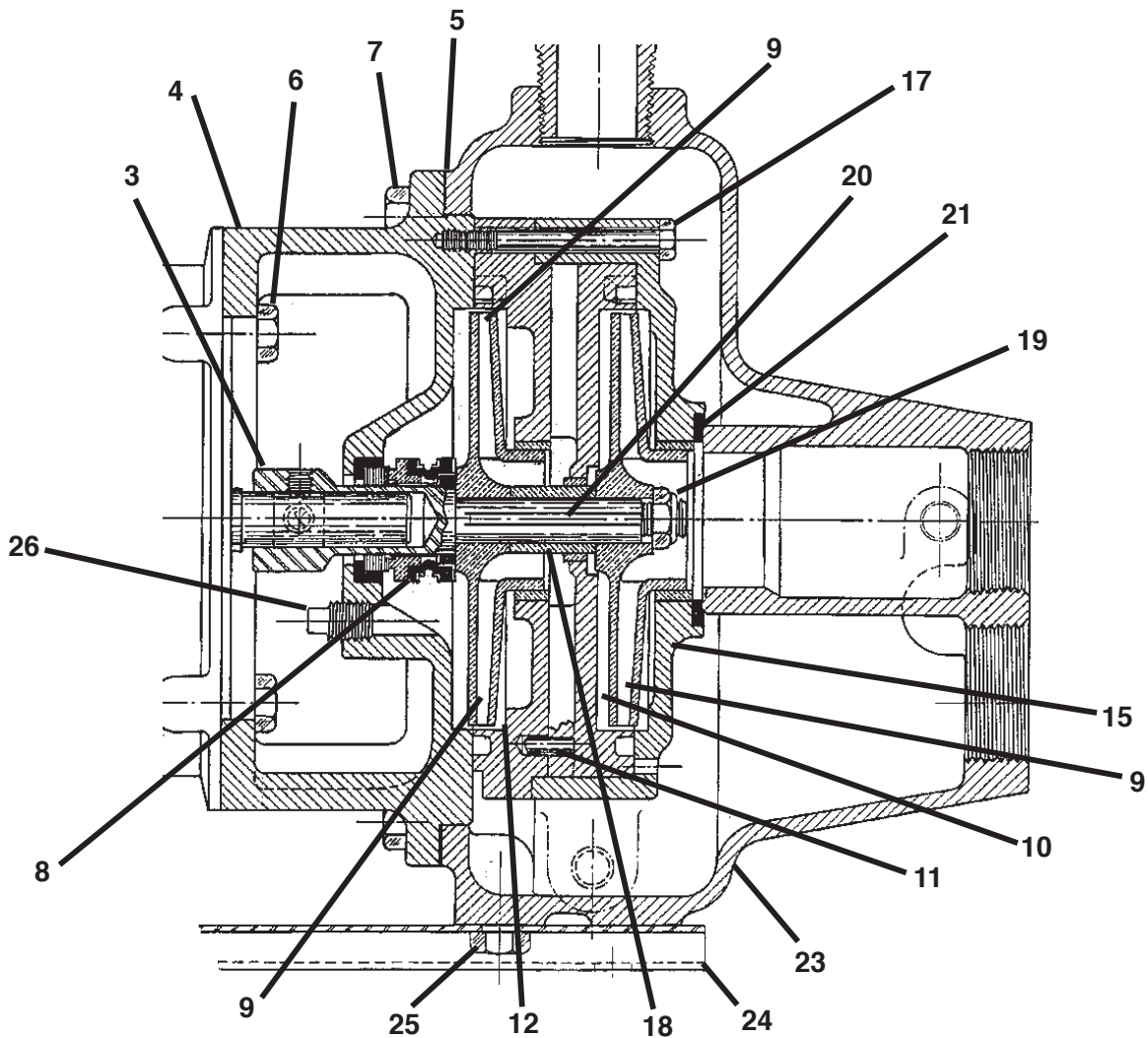
1000 / 1500 Repair Parts



SERIES 1000 - VERTICAL

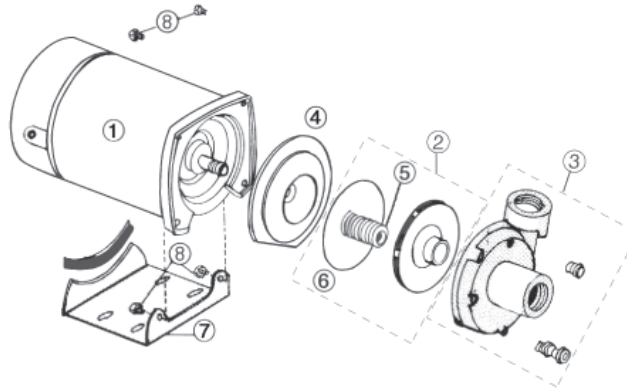


SERIES 1500 - HORIZONTAL



11 - Pump Repair Parts

92000 / 93000 Series Repair Parts



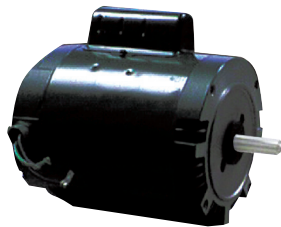
Pipe plugs & pet cock (drain) are included with volute assemblies.

Pump Model	1 Repair Motor			2 Impeller/Seal Kit			3 Volute Assembly		
	Model #	Part #	List	Model #	Part #	List	Model #	Part #	List
92030	92050RM	6712-258	\$ 440.00	92050RK	6712-046	\$ 103.00	92100RV	6712-262	\$ 359.00
92031	92050RM	6712-258	\$ 440.00	92051RK	6712-047	\$ 156.00	92100RV	6712-262	\$ 359.00
92050	92050RM	6712-258	\$ 440.00	92050RK	6712-046	\$ 103.00	92100RV	6712-262	\$ 359.00
92051	92050RM	6712-258	\$ 440.00	92051RK	6712-047	\$ 156.00	92100RV	6712-262	\$ 359.00
92070	92070RM	6712-257	\$ 499.00	92070RK	6712-045	\$ 108.00	92100RV	6712-262	\$ 359.00
92100	92100RM	6712-256	\$ 580.00	92100RK	6712-044	\$ 111.00	92100RV	6712-262	\$ 359.00
92150	92150RM	6712-255	\$ 678.00	92150RK	6712-043	\$ 117.00	92100RV	6712-262	\$ 359.00
92200	92200RM	6712-254	\$ 893.00	92200RK	6712-042	\$ 128.00	92200RV	6712-261	\$ 407.00
92250	92250RM	6712-253	\$ 949.00	92250RK	6712-041	\$ 133.00	92300RV	6712-260	\$ 435.00
92300	92300RM	6712-252	\$ 1,082.00	92300RK	6712-040	\$143.00	92300RV	6712-260	\$ 435.00

Model	Part #	Description	List Price
92000SP	6712-250	4 Seal Plate	\$ 111.00
92000RS	6712-268	5 Rotary seal	\$ 35.00
92000RO	6712-267	6 O-ring for seal plate	\$ 4.35
92000MB	6712-251	7 Mounting base	\$ 31.00
---	3100-565	8 Hex cap screws	\$ 0.53

Superbooster Motors

NEMA C (Keyed shaft) Motor
Single Phase, Open Drip Proof (ODP)
Capacitor Start



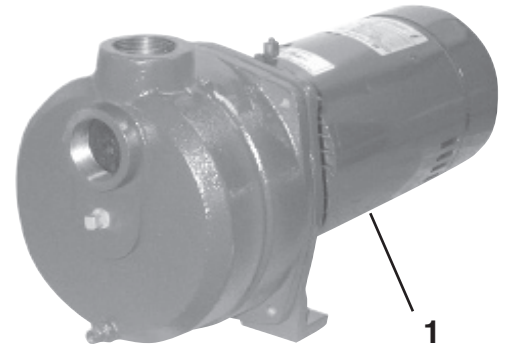
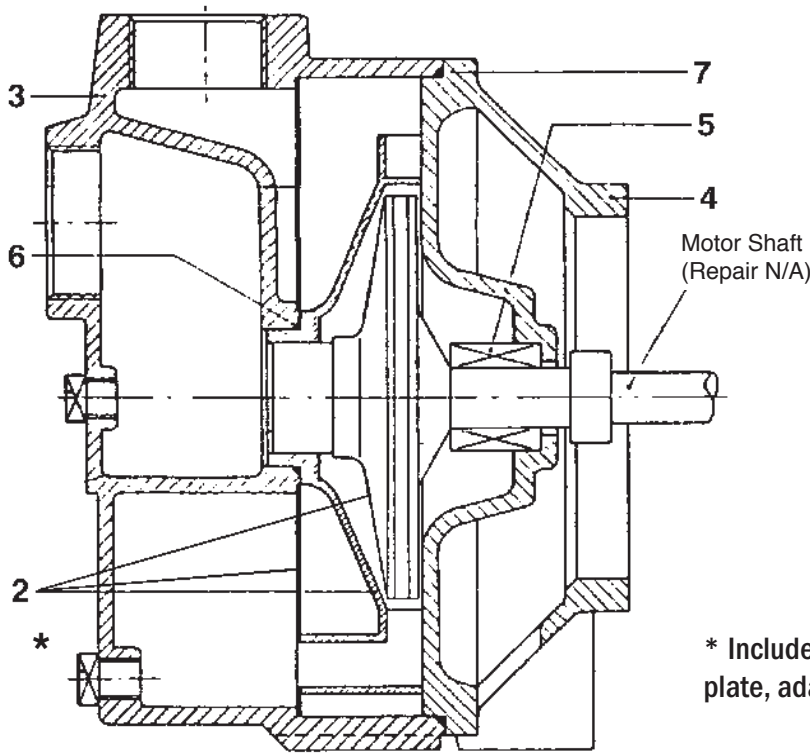
Catalog Number	HP	Volts	List
6903-280	1/2	115/230	\$ 309.00
6903-281	3/4	230/115	\$ 333.00
6903-282	1	230/115	\$ 390.00
6903-283	1 1/2	230/115	\$ 451.00
6903-284	2	230	\$ 506.00

Catalog Number	Model Number	List
6903-041	27000KIT	\$ 22.00

Repair gauge kit (use for alignment when assembling motor and pump end back together).
See page 21 for pump ends.

Pump Repair Parts - 11

87000 Series Repair Parts



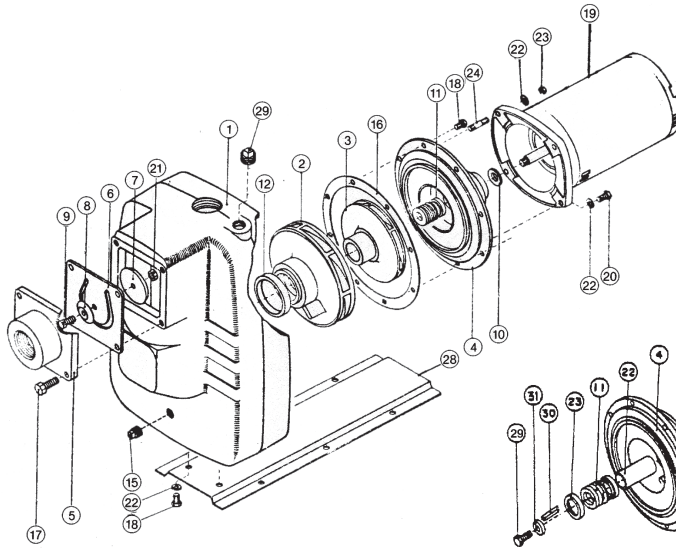
* Includes impeller, diffuser, diffuser o-ring, diffuser plate, adapter/body o-ring, and rotary shaft seal

Description	87070			87100			87150			87200		
	Model #	Part #	List	Model #	Part #	List	Model #	Part #	List	Model #	Part #	List
1 Repair motor	--	--	--	--	--	--	--	6180-231	\$ 563.00	-	6180-278	\$ 588.00
*2 Impeller/ diffuser kit	87070RK	6180-008	\$ 107.00	87100RK	6180-009	\$ 110.00	87150RK	6180-010	\$ 111.00	87200RK	6180-011	\$ 111.00

Model	Part #	Description	List Price
87000RB	6180-270	3 Pump body w/plugs	\$ 366.00
87000RA	6180-271	4 Motor Adapter	\$ 276.00
87000DO	6180-272	6 Diffuser O-ring	\$ 15.00
87000AO	6180-273	7 Adapter/Body O-ring	\$ 17.00
87000PS	6180-275	Diffuser/Body O-ring	\$ 10.30
87000CS	6180-276	Hex Cap screws	\$ 8.12
87000DV	6180-277	Drain Valve	\$ 10.30
87000RS		5 Rotary Shaft Seal	Contact Factory

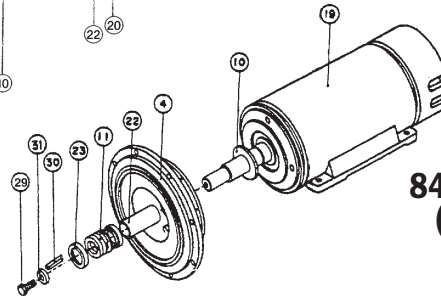
11 - Pump Repair Parts

84000 Series Repair Parts (1984 & After)



Hardware Items

- 15 - 1/4" NPT Pipe Plug
- 17 - 3/8-16 x 1" Hex Head Bolt
- 18 - 3/8-16 x 3/4" Hex Head Bolt
- 20 - 3/8-16 x 1 1/2" Hex Head Bolt
- 21 - Hex Nut
- 24 - 3/8-16 x 7/8" Hex Head Bolt



84300 and 84500 (1998 and After)

REF#	Model#	Description	84300 3 HP		84500 5 HP	
			Part#	List \$	Part#	List \$
#1		Body Housing				
#2	84000D	Diffuser	-	-	-	-
#3	84075RK	Overhaul Kit*	-	-	-	-
#3	84100RK	Overhaul Kit*	-	-	-	-
#3	84150RK	Overhaul Kit*	-	-	-	-
#3	84200RK	Overhaul Kit*	-	-	-	-
#3	84300IMP	Impeller	-	-	-	-
#3	84500IMP	Impeller	-	-	-	-
#5	84000VCV	Valve Body	-	-	-	-
#5	84500VB	Valve Body	-	-	-	-
#6	84000VG	Flapper Valve	-	-	-	-
#7	84000TW	Top Weight	-	-	-	-
#8	84000BW	Bottom Weight	-	-	-	-
#10	84100SL	Slinger kit	-	-	-	-
#10	84000SLG	Slinger Kit	-	-	-	-
#11	84000SL	Shaft Seal Kit	-	-	-	-
#12	84000DR	Diffuer Ring	-	-	-	-
#16	84000GSKT	Gasket	-	-	-	-
#19		Motor	-	-	-	-
#22	84000SS	Shaft Sleeve	-	-	-	-
#23	84000SL	Spring Holder	-	-	-	-
#28		Base	-	-	-	-
#31	84300WSH	Impeller Washer	-	-	-	-
#31	84500WSH	Impeller Washer	-	-	-	-

REF#	Description	No longer available
4	Seal Plate	X
9	Mach Screw - Hex Head Bolt	X
29	Hex Bolt	X
30	Key	X

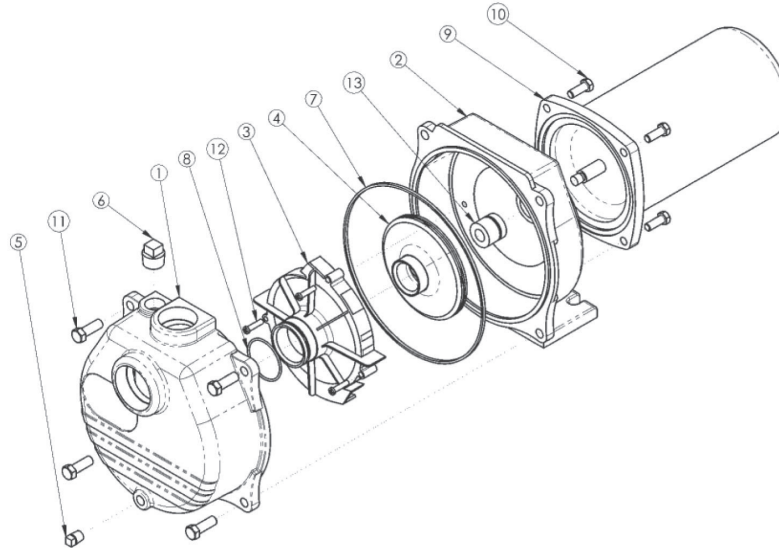
*** MUST PURCHASE IN KIT**
Each overhaul kit includes: #3 impeller, #10 slinger, #16 gasket, and hardware items 84000SL includes #11 & #23

**Contact factory for
repair part pricing.**

Pump Repair Parts - 11

88000 Series Repair Parts

Lawn & Turf Sprinkler Pumps (3/4 HP - 2 HP Models, Square Flange)



Model#	Description	3/4 HP 88075		1 HP 88100		1 1/2 HP 88150		2 HP 88200	
		Part#	List \$	Part#	List \$	Part#	List \$	Part#	List \$
	Motor	6180-292	\$923.00	6180-293	\$1,065.00	6180-294	\$1,259.00	6180-295	\$1,356.00
88075RK	Overhaul Kit*	6180-298	\$134.00	-	-	-	-	-	-
88100RK	Overhaul Kit*	-	-	6180-299	\$135.00	-	-	-	-
88150RK	Overhaul Kit*	-	-	-	-	6180-300	\$137.00	-	-
88200RK	Overhaul Kit*	-	-	-	-	-	-	6180-301	\$252.00
88000CSG	Casing Kit*	6180-302	\$169.00	6180-302	\$169.00	6180-302	\$169.00	6180-302	\$169.00
88000FS	Fastener Kit*	6180-303	\$46.00	6180-303	\$46.00	6180-303	\$46.00	6180-303	\$46.00
88000AD	Adapter Kit*	6180-304	\$184.00	6180-304	\$184.00	6180-304	\$184.00	6180-304	\$184.00
88000GS	Gasket Kit*	6180-305	\$24.00	6180-305	\$24.00	6180-305	\$24.00	6180-305	\$24.00

REF #	Description
1	Casing
2	Adapter
3	Diffuser
4	Impeller 3/4 HP
4	Impeller 1 HP
4	Impeller 1 1/2 HP
4	Impeller 2 HP
5	Plug, 1/4" NPT
6	Plug, 3/4" NPT
7	Gasket
8	O-Ring
9	Motor, 3/4 HP, 1 phase, 115/230,
9	Motor, 1 HP, 1 phase 115/230, square
9	Motor 1 1/2 HP, 1 phase, 115/230, square
9	1 Motor 2 HP, 1 phase, 230V, square
10	Bolt, 3/8" UNC x 1"
11	Bolt, 7/16" UNC x 1 1/4"
12	Screw, #10-24 UNC x 1"
13	Seal, 5/8" diameter 3/4, 1, 1 1/2 HP
13	Seal, 3/4" diameter 2 HP
x	Slinger 1.25x .59x.09

KIT	REF #
88000RK Overhaul Kit includes:	3, 4, 7, 8, 10, 11, 12, 13, x
88000CSG Casing Kit includes:	1, 5, 6, 7, 11
88000FS Fastener Kit includes:	10, 11, 12, x
88000AD Adapter Kit includes:	2, 7, 10, 11, 12
88000GS Gasket Kit includes:	7, 8

Repair parts sold in kits only.

11 - Pump Repair Parts



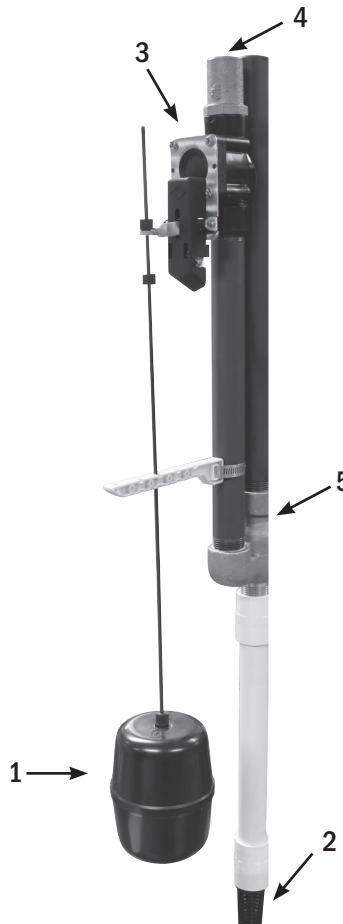
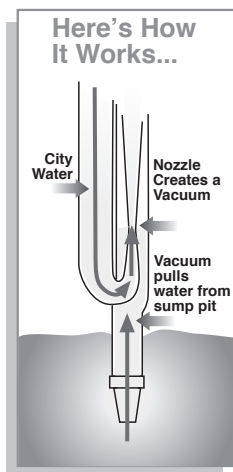
Guardian Repair Parts



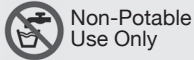
GUARDIAN

Emergency Back Up Sump Pump

The Guardian consists of all components outlined



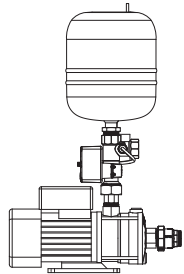
Model	Part #	Description	List Price
1 747H20FL	6225-002	Float Package (Old Style - Pre Oct. 2014)	\$ 32.00
747H20FL2	6225-017	Float Package (New Style) - Float, Float Rod, four rubber grommet stoppers, standoff, and hose clamp	\$ 32.00
747H20MT	6225-004	Mounting Package - Galvanized Nipple 1/4" x 5 - Mounting Bracket 1/4" FNPT Zinc Flange - Elbow 1/4" 90° Galvanized Iron - Split Ring Hanger 1 1/4" OD-Zinc	\$ 26.00
2 747H20SC	6225-003	Suction Kit - Suction Tube - 1" PVC - Inlet Strainer - Adaptor PVC x FNPT 1" SCH 40 - Hose Clamp	\$ 23.00
3 747H20SV	6225-001	Switch Valve Replacement (Old Style - Pre Oct. 2014)	\$ 309.00
747H20SV2	6225-016	Switch Valve Replacement (New Style) - To replace the mechanically activated diaphragm valve with attached float mechanism *Repair parts/pieces are not sold separately for this valve.	\$ 309.00
4	5040-007	Basic Guardian Single Check	\$ 38.00
5	6225-525	Jet Package Kit - Jet Body and Venturi Nozzle Assembly	\$ 67.00
	6155-316	Venturi/Nozzle Assembly	\$ 6.49



Pump Repair Parts - 11

DuraMAC™ Booster Repair Parts

Residential



17035R020PC1

6010-003	- 17035R020P-1 Pump 120V Pump +35 20 GPM 1/2 HP 120V	\$ 719.00
6010-001	- Repair Control 120V with Tee	\$ 789.00
6010-009	- Repair Control 120V (Black box)	\$ 504.00
6010-026	- Transducer TDL32K 150PSI 5V	\$ 167.00
6127-337	- Two gallon diaphragm tank	\$ 159.00
6010-027	- Check Valve 1" MNPT x 1" MNPT	\$ 52.00
6010-554	- Seal kit	\$ 39.00
6010-028	- Pressure Gauge 0 - 100 2" Dry	\$ 18.00

List

17052R020PC1

6010-004	- 17052R020P-1 Pump 120V Pump +52 20 GPM 3/4 HP 120V	\$ 772.00
6010-001	- Repair Control 120V with Tee	\$ 789.00
6010-009	- Repair Control 120V (Black box)	\$ 504.00
6010-026	- Transducer TDL32K 150PSI 5V	\$ 167.00
6127-337	- Two gallon diaphragm tank	\$ 159.00
6010-027	- Check Valve 1" MNPT x 1" MNPT	\$ 52.00
6010-554	- Seal kit	\$ 39.00
6010-028	- Pressure Gauge 0 - 100 2" Dry	\$ 18.00

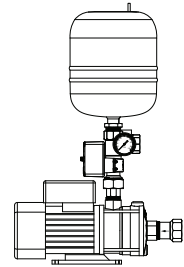
List

17070R020PC2

6010-005	- 17070R020P-2 Pump 230V Pump +70 20 GPM 1 HP 230V	\$ 847.00
6010-002	- Repair Control 230V with Tee	\$ 1,100.00
6010-010	- Repair Control 230V (Black box)	\$ 729.00
6010-026	- Transducer TDL32K 150PSI 5V	\$ 167.00
6127-337	- Two gallon diaphragm tank	\$ 159.00
6010-027	- Check Valve 1" MNPT x 1" MNPT	\$ 52.00
6010-554	- Seal kit	\$ 39.00
6010-028	- Pressure Gauge 0 - 100 2" Dry	\$ 18.00

List

Light Commercial



17040C035PC2

6010-011	- 17040C035P-2 Pump 230V Pump +40 35 GPM 1 HP 230V	\$ 789.00
6010-002	- Repair Control 230V with Tee	\$ 1,100.00
6010-010	- Repair Control 230V (Black box)	\$ 729.00
6010-026	- Transducer TDL32K 150PSI 5V	\$ 167.00
6127-337	- Two gallon diaphragm tank	\$ 159.00
6010-029	- Check Valve 1 1/4" MNPT x 1 1/4" FNPT	\$ 57.00
6010-554	- Seal kit	\$ 39.00
6010-028	- Pressure Gauge 0 - 100 2" Dry	\$ 18.00

List

17062C035PC2

6010-012	- 17062C035P-2 Pump 230V Pump +62 35 GPM 1 HP 230V	\$ 850.00
6010-002	- Repair Control 230V with Tee	\$ 1,100.00
6010-010	- Repair Control 230V (Black box)	\$ 729.00
6010-026	- Transducer TDL32K 150PSI 5V	\$ 167.00
6127-337	- Two gallon diaphragm tank	\$ 159.00
6010-029	- Check Valve 1 1/4" MNPT x 1 1/4" FNPT	\$ 57.00
6010-554	- Seal kit	\$ 39.00
6010-028	- Pressure Gauge 0 - 100 2" Dry	\$ 18.00

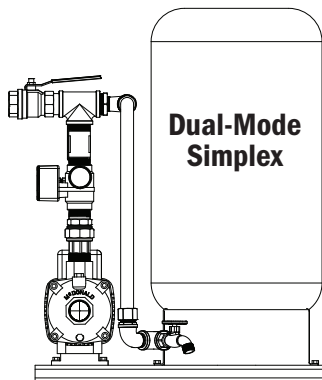
List

17078C035PC2

6010-013	- 17078C035P-2 Pump 230V Pump +78 35 GPM 1 1/2 HP 230V	\$ 973.00
6010-002	- Repair Control 230V with Tee	\$ 1,100.00
6010-010	- Repair Control 230V (Black box)	\$ 729.00
6010-026	- Transducer TDL32K 150PSI 5V	\$ 167.00
6127-337	- Two gallon diaphragm tank	\$ 159.00
6010-029	- Check Valve 1 1/4" MNPT x 1 1/4" FNPT	\$ 57.00
6010-554	- Seal kit	\$ 39.00
6010-028	- Pressure Gauge 0 - 100 2" Dry	\$ 18.00

List

Dual Mode - Modular, Simplex, & Duplex



17044C070PC2-M | 17044C070PC2-S | 17044C120PC2-D List

6010-017	- 17044C070P-2 Pump 230V Pump +44 70 GPM 230V	\$ 1,331.00
6010-026	- Transducer TDL32K 150PSI 5V	\$ 167.00
6011-009	- Dual-Mode Control Repair (Black box)	\$ 567.00
6011-012	- Paddle Switch	\$ 462.00
6127-341	- 16020MV4F - Pressure Tank	\$ 378.00
6011-011	- Pressure Gauge 0 - 100 2 1/2" Liquid filled	\$ 46.00
6010-555	- Seal kit	\$ 49.00
5424-401	- Ball Valve 1/4" MNPT x 1/4" FNPT (Test Cock)	\$ 6.01

17060C070PC2-M | 17060C070PC2-S | 17060C120PC2-D List

6010-018	- 17060C070P-2 Pump 230V Pump +60 70 GPM 230V	\$ 1,339.00
6010-026	- Transducer TDL32K 150PSI 5V	\$ 167.00
6011-009	- Dual-Mode Control Repair (Black box)	\$ 567.00
6011-012	- Paddle Switch	\$ 462.00
6127-341	- 16020MV4F - Pressure Tank	\$ 378.00
6011-011	- Pressure Gauge 0 - 100 2 1/2" Liquid filled	\$ 46.00
6010-555	- Seal kit	\$ 49.00
5424-401	- Ball Valve 1/4" MNPT x 1/4" FNPT (Test Cock)	\$ 6.01



A.Y. McDonald Mfg. Co. is a leading manufacturer of Waterworks Brass, Plumbing Valves, Pumps and Water Systems, and High Pressure Gas Valves and Meter Bars. The Company has distinguished itself with a proud tradition of quality and reliability since its founding in 1856.

The mission of A.Y. McDonald Mfg. Co., in the words of our founder, is “to make good products and sell them honestly.” We, the stockholders and employees, accomplish this by extending the McDonald family culture through excellent customer service and by focusing on our customers’ needs.

Locations: Albia, IA | Dubuque, IA | Elizabethton, TN | Sparks, NV



More than a brand. We're a family.

