



# J05X, J05K, J05L

CONVERTIBLE PUMP / TANK PACKAGES

### PUMP FEATURES

- **Serviceable:**
  - Back pullout design allows disassembly of pump for service without disturbing piping.
  - Two compartment motor for easy access to motor wiring and replaceable components.
  - Corrosion resistant, engineered plastic tubing and fittings.
- **Powered for Continuous Operation:** Pump ratings are within the motor manufacturer's recommended working limits. Can be operated continuously without damage.
- **Excellent Air Handling Ability:** After initial priming the pump has the ability to re-prime itself even when air gets into the system. Pumping resumes once the water level rises above the foot valve.

### TANK FEATURES

- **Maximum Working Pressure:** 100 PSI
- **Temperature Rating:** Maximum 120° F
- **Exterior Finish:** High durability exterior finish of tough, powder coat over a zinc phosphate surface treatment.
- Tanks are designed for installation indoors or where they are protected from rain, irrigation overspray, salt air and other corrosive environments. Always protect tanks from freezing.
- **Deep Drawn Steel Shells:** Provide maximum material strength.
- **Inner Shell:** Prevents diaphragm from over-expanding.
- **Heavy Duty Diaphragm:** Made of finest quality butyl rubber. Separates air and water, maintains air charge.
- **Interior Tank Lining:** Fusion bonded polymeric lining (durable polypropylene liner used on V15P). Both meet FDA requirements.
- **Maximum Working Pressure:** 100 PSI for V45MP and V60MP, 125 PSI for V15P.
- **Temperature Rating:** Maximum 120° F
- **Appliance Appearance Exterior Finish:** Two coat high performance protection system.
- **Heavy Duty Base:** Eliminates corrosion due to condensation and exposure to the elements. Made of high density polypropylene.

### APPLICATIONS

Home, farm and cottage water systems and booster service.

### SPECIFICATIONS

#### Pump:

- Pipe connections:
  - 1" NPT pressure
  - 1¼" NPT suction
  - 1" NPT discharge
- Pressure switch:
  - AS4 preset 30-50 PSI

#### Motor:

- NEMA service factor
- 60 Hz
- ½ HP, 115/230 V capacitor start
- 3500 RPM
- Built-in overload with automatic reset
- Stainless steel shaft

### ADDITIONAL COMPONENTS REQUIRED

- **Shallow Well Package:** Includes shallow well adapter, nozzle, venturi (diffuser), gasket, bolts and pipe plugs  
or
  - **Deep Well Package:** Choose either a twin pipe or packer style.
    - Twin pipe includes jet body, nozzle, venturi (diffuser) and foot valve.
    - Packer includes packer body, nozzle, venturi (diffuser), and built-in check valve.
- NOTE:** Packer systems also require a packer adapter on the wellhead.

### ORDER INFORMATION

Model No.	HP	Replacement Pump Model No.	Tank Model	Drawdown at	
				20/40 PSI	30/50 PSI
J05X	½	J5	V15P	1.7	1.4
J05K	½	J05LT	V45MP	5.1	4.3
J05L	½	J05LT	V60MP	7.3	6.1

### SHALLOW WELL PERFORMANCE RATINGS

HP/Model	½ HP - J05LT					½ HP - J05LT						
Shallow Well Package	FH5					FH5H (High Pressure Model)						
Adapter	4K62											
Nozzle	AN017					AN019						
Venturi	AD3731					AD3528						
Discharge Pressure - PSI						Discharge Pressure - PSI						
Total Suction Lift (feet)	20					Max. Shut off (PSI)	20					Max. Shut off (PSI)
	30	40	50	Gallons per minute								
5	17.5	16.5	10.2	5.0	63	11.5	11.3	11.0	7.7	4.8	83	
10	15.7	14.4	9.2	4.3	61	10.3	10.0	9.6	7.0	4.2	81	
15	13.7	12.5	8.0	3.6	59	8.8	8.6	8.3	6.3	3.7	79	
20	11.5	10.4	7.1	2.3	57	7.0	7.0	6.8	5.8	3.2	76	
25	8.7	8.6	6.2	1.3	54	5.3	5.2	5.2	5.0	2.8	73	

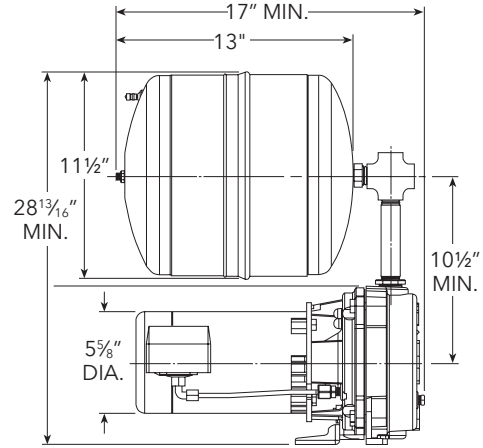
### TWIN PIPE PERFORMANCE RATINGS

HP/Model	½ HP - J05LT			
Well Casing min. I.D.	4			4½
Pressure Suction	Pipe Size (in.)		1	
	1¼		1½	
① Jet Assembly Package	FT4-13	FT4-31	FT4-08	FT5-14
Jet Body (only)	AT4			AT5
Nozzle	AN017	AN016	AN015	AN018
Venturi	AD726	AD723	AD720	AD724
Control Valve Setting (PSI)	30	30	30	30
Feet		30-50 PSI		
Depth to Jet Assembly (based on submergence of 5 feet)	30	13.0	11.0	
	40	11.8	9.0	
	50		7.6	6.9
	60		7.0	5.2
	70			4.7
	80			3.8
	90			3.1
	100			4.1

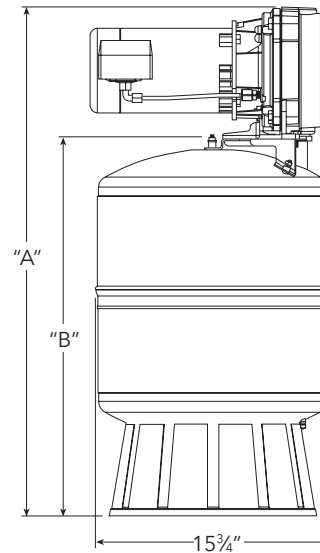
① Jet assembly package includes:  
jet body, nozzle, Venturi and foot valve.

### SYSTEM DIMENSIONS

Model	Tank	Tank Wt. (lb.)	Total Wt. (lb.)
J05X	V15P	11.9	63



Model	A (in.)	B (in.)	Tank	Tank Wt. (lb.)	Total Wt. (lb.)
J05K	34.2	25.5	V45MP	27.8	71.0
J05L	41.7	33.0	V60MP	40.0	83.0



# Xylem |'zīləm|

- 1) The tissue in plants that brings water upward from the roots;
- 2) a leading global water technology company.

We're 12,500 people unified in a common purpose: creating innovative solutions to meet our world's water needs. Developing new technologies that will improve the way water is used, conserved, and re-used in the future is central to our work. We move, treat, analyze, and return water to the environment, and we help people use water efficiently, in their homes, buildings, factories and farms. In more than 150 countries, we have strong, long-standing relationships with customers who know us for our powerful combination of leading product brands and applications expertise, backed by a legacy of innovation.

**For more information on how Xylem can help you, go to [www.xyleminc.com](http://www.xyleminc.com)**



Xylem, Inc.  
2881 East Bayard Street Ext., Suite A  
Seneca Falls, NY 13148  
Phone: (866) 325-4210  
Fax: (888) 322-5877  
[www.xyleminc.com/brands/gouldswatertechnology](http://www.xyleminc.com/brands/gouldswatertechnology)

Goulds is a registered trademark of Goulds Pumps, Inc. and is used under license.  
© 2012 Xylem Inc. BJDW R1 October 2012