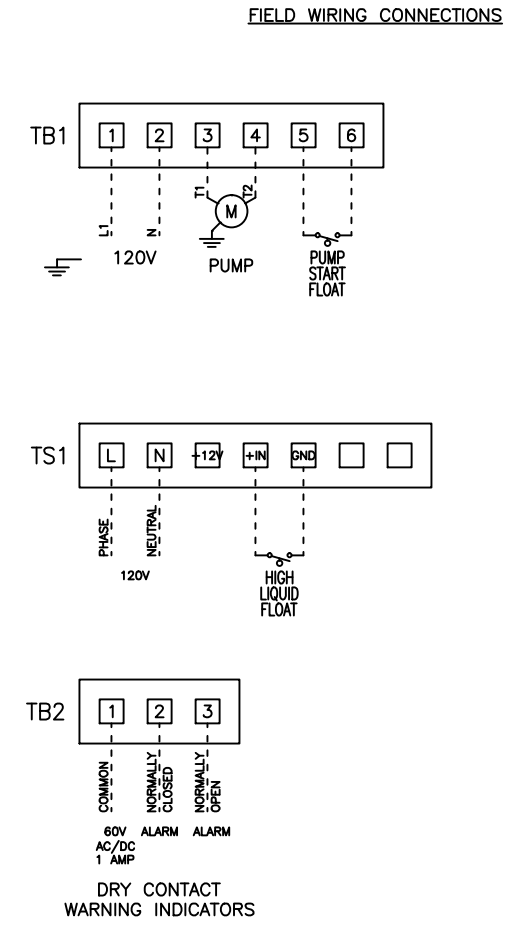
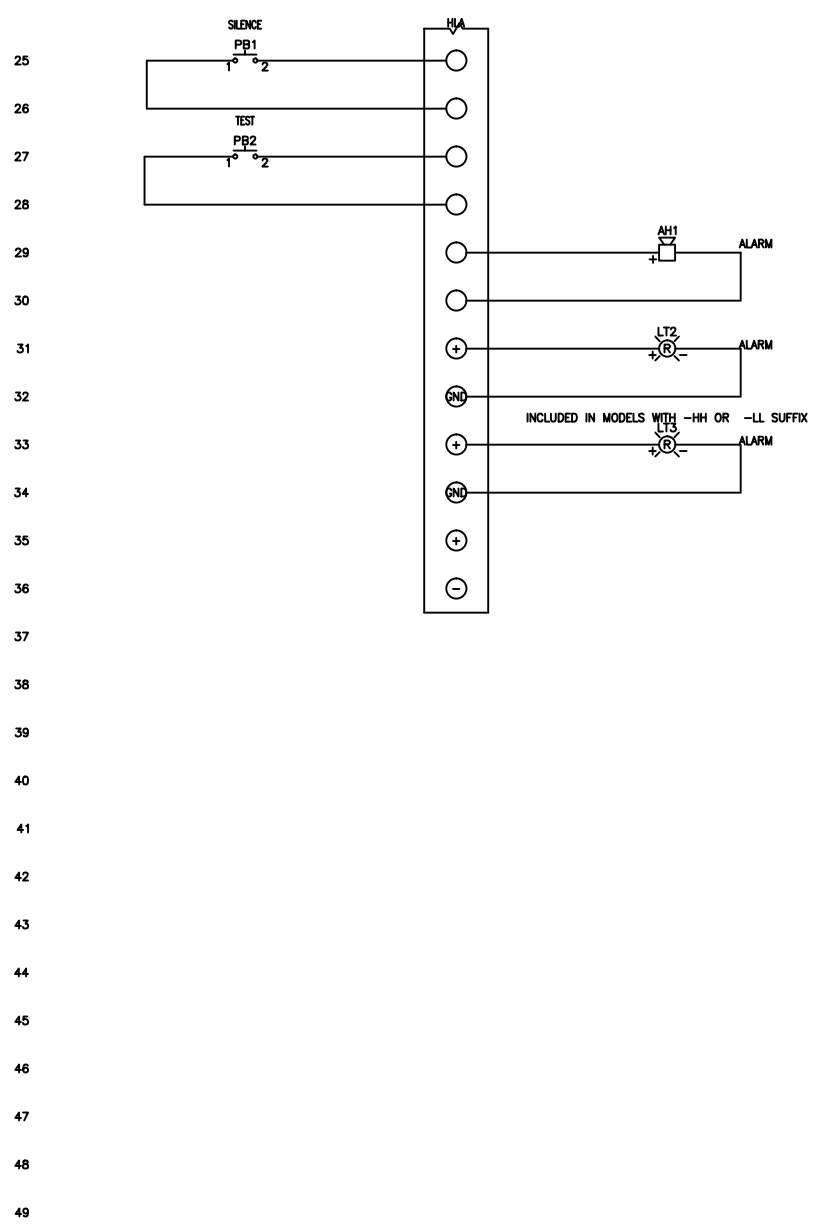
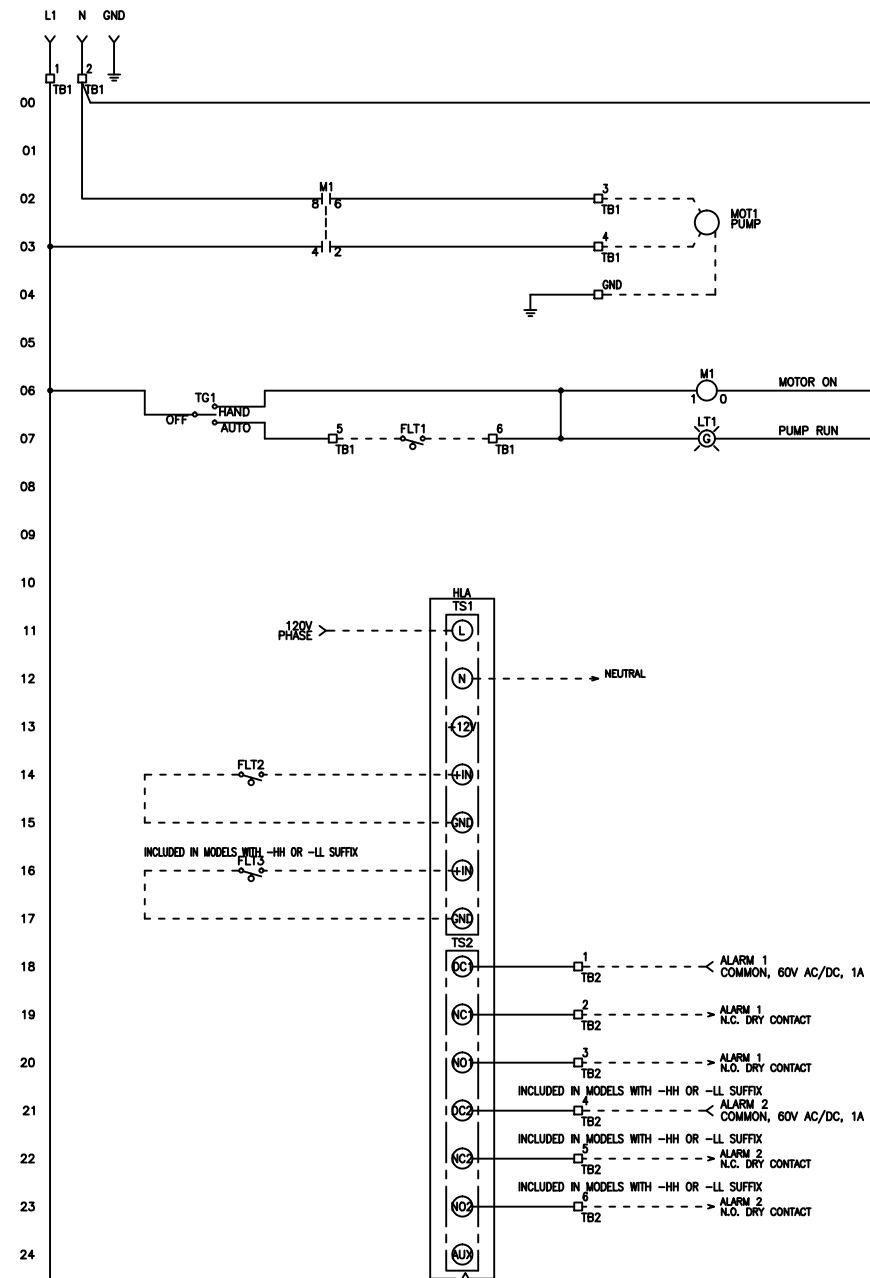


FRAME: SSP-2

REVDATE: 0915

REVISIONS				
ZONE	REV	DESCRIPTION	DATE	APPROVED
	A	REMOVED ALARM 2 CIRCUIT	9/15/15	



----- DASHED LINE INDICATES FIELD WIRING.

USE COPPER CONDUCTORS ONLY.  
TEMPERATURE RATING OF CONDUCTORS IS TO BE 60°C (167°F).  
BRANCH CIRCUIT PROTECTION SHALL BE PROVIDED BY THE INSTALLER; MUST BE SIZED ACCORDING TO PUMP/MOTOR MANUFACTURING SPECIFICATIONS.  
VERIFY CORRECT OPERATION OF CONTROL PANEL AFTER INSTALLATION IS COMPLETE.

DRAWN BY: MM	DATE: 9/15/15				
APPROVED BY:	DATE:				
THIS DRAWING CONTAINS PROPRIETARY INFORMATION AND SHALL NOT BE USED OR DISCLOSED WITHOUT PRIOR WRITTEN AUTHORIZATION.		TITLE: SSP-2 CONTROL SCHEMATIC			
		SIZE B	DWG NO. 1544	PART NO. SSP-2	REV A
		SCALE NONE	SHEET 1 OF 1		