

Product information presented here reflects conditions at time of publication. Consult factory regarding discrepancies or inconsistencies.



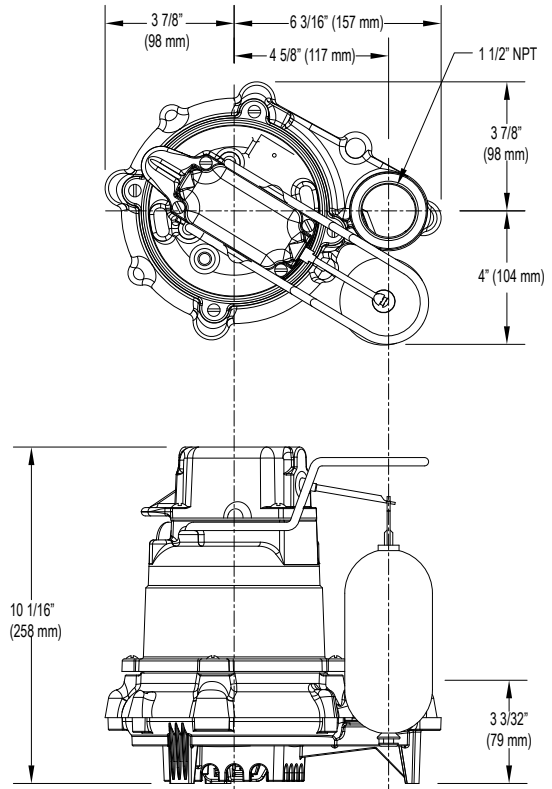
PUMP COMPANY

Zoeller Family of Water Solutions™

TECHNICAL DATA SHEET
PREMIUM SERIES MIGHTY-MATE
Cast Iron Model 63
Submersible Sump / Dewatering Pumps

PRODUCT SPECIFICATIONS

MOTOR	Horse Power	3/10
	Voltage	115
	Phase	1 Ph
	Hertz	60 Hz
	RPM	1550
	Type	Shaded pole
	Insulation	Class B
	Amps	9.7
PUMP	Operation	Automatic
	Auto On/Off Points	7-1/4" (18.4 cm) / 3" (7.6 cm)
	Discharge Size	1-1/2" NPT
	Solids Handling	1/2" (12 mm) spherical solids
	Cord Length	10' (3.1 m)
	Cord Type	3-wire, grounded plug
	Max. Head	19.25' (5.9 m)
	Max. Flow Rate	43 GPM (163 LPM)
	Max. Operating Temp.	130° F (54° C)
	Cooling	Oil filled
Motor Protection	Auto reset thermal overload	
MATERIALS	Cap	Cast iron
	Motor Housing	Cast iron
	Pump Housing	Cast iron
	Base	Cast iron
	Upper Bearing	Sleeve bearing
	Lower Bearing	Sleeve bearing
	Mechanical Seals	Carbon and ceramic
	Impeller Type	Non-clogging vortex
	Impeller	Cast iron
	Hardware	Stainless steel
Motor Shaft	AISI 1215 cold rolled steel	
Gasket	Neoprene	



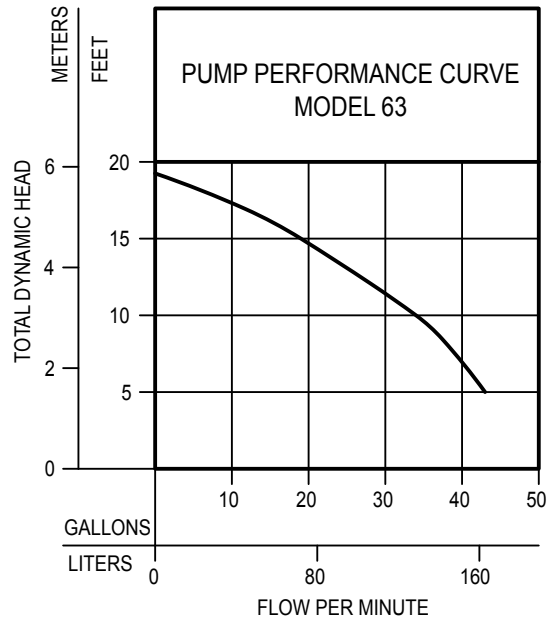
SK858

NOTE: See model comparison chart for specific details.



**TOTAL DYNAMIC HEAD
FLOW PER MINUTE**

MODEL		63	
Feet	Meters	Gal.	Liters
5	1.5	43	163
10	3.0	34	129
15	4.6	19	72
Shut-off Head:		19.25 ft.(5.9 m)	



153854

Model	MODEL COMPARISON											CERTIFICATIONS
	Seal	Mode	Volts	Ph	Amps	HP	Hz	Lbs	Kg	Simplex	Duplex	cCSAus
M63	Single	Auto	115	1	9.7	3/10	60	23	10	1	---	Y

* Single piggyback switch included.

SPECIAL MODEL FEATURES

Has a lighted plug, cast iron switch case, motor and pump housing, a cast iron impeller and base.

Optional pump stand (P/N 10-2421). Integral float-operated electro-mechanical switch, no external control required.

CAUTION All installation of controls, protection devices and wiring should be done by a qualified licensed electrician. All electrical and safety codes should be followed including the most recent National Electrical Code (NEC) and the Occupational Safety and Health Act (OSHA).