

Introduction



Before proceeding with the installation or operation of the Versa'larm™, read all instructions thoroughly, as well as complying with all Federal, State and Local Codes, Regulations and Practices. The Versa'larm must be installed by qualified personnel familiar with all applicable local electrical and mechanical codes. Refer to the National Electrical Code (NFPA 70). Failure to properly install and test this product can result in personal injury or equipment malfunction.

The Versa'larm is a multipurpose alarm that can be used in a wide variety of applications such as: septic tanks, sumps, holding tanks, pump chambers, water tanks, flow, pressure, condensate, temperature and any other application where a “dry” contact can be connected to the Versa'larm. These contacts can be connected to an Auto Dialer, a BAS (building automation system) or SCADA system.

Safety Guidelines



1. DO NOT USE WITH FLAMMABLE OR EXPLOSIVE FLUIDS SUCH AS GASOLINE, FUEL OIL, KEROSENE, ETC. DO NOT USE IN EXPLOSIVE ATMOSPHERES.
2. VERSA'LARM MUST BE MOUNTED INDOORS. FOR OUTDOOR APPLICATIONS CONSULT FACTORY.

Description of Operation

The Versa'larm is powered by 120 VAC coming from standard wall outlets and is transformed to 9-11 VDC. Installing a 9 volt battery provides battery backup.

When a switch (signaling device) contact “closes” the buzzer and alarm light will turn “on” and the built in auxiliary contacts will be activated. The signaling device could be a control duty float switch (e.g. Unimax™) or a water sensor (e.g. WaterSpotter™, WaterSpotter™ Probe, Alderon Temperature Switch).

Pressing the “silence” switch deactivates the buzzer. When the alarm is remedied, the system automatically resets itself.

Tools, Supplies and Requirements for Installation (Not Included)

1. Phillips screw driver
2. (Qty 2) #6 self tapping screws
3. Access to 120 VAC power receptacle
4. Optional - Plastic anchor if mounting to sheet rock
5. Optional - 9V battery (used for battery backup if power goes out)
6. Optional - Wire stripper (used if you need to strip wire to connect to a BAS or SCADA system)
7. Optional - Needle nose pliers if using auxiliary contacts

The Versa'larm is packaged as a stand alone item or with the specific sensor(s) you ordered it with. Other part numbers and accesories are available. See catalog/website for more details. Examples below:



7013



7001



7002



7003



7011



7151

1 Zone Alarm - Model VA01A

Operation, Maintenance and Installation Manual

Installation of the Versa'larm

1. To install/replace the battery for the backup power feature, remove the access cover (Fig. 1) and install 9 VDC battery (Duracell model MX 1604B2) (Fig. 2). After installing battery, press the test button (Fig. 3) to activate the alarm to make sure the battery works properly. The alarm indicator light should illuminate and the buzzer should annunciate. If using the auxiliary contacts, leave cover off until Step 4 is completed. If you are not using the auxiliary contacts, replace the access cover (Fig. 4).



(Fig. 1)



(Fig. 2)



(Fig. 3)



(Fig. 4)

2. Determine mounting location for the Versa'larm. Make sure the power outlet is within 5 feet of the Versa'larm (Fig. 5). Make sure the outlet is on a separate circuit breaker from any other device and not on a switched receptacle to maintain power integrity. Mount the Versa'larm using two #6 self tapping screws (not included) (Fig. 6). Use #8 plastic anchor (not included) if mounting to sheet rock (Fig. 7).



(Fig. 5)



(Fig. 6)



(Fig. 7)

3. If you are not using the auxiliary contacts, go to Step 6. If using auxiliary contacts (Fig. 8), when a sensor such as a float switch in a septic tank, a WaterSpotter™ near a floor drain or in your sump pit is activated, it will close relay contacts on Terminals 1A and 1B and activate the Auto Dialer. If connecting to existing alarm security system or BAS system, go to Figure 9 on Page 3. When connected, replace the access cover and pull the wires through the knockouts on the access cover (Fig. 10 and Fig. 11), see Step 5. **Caution!** - When installing wires, route all wires away from sharp objects and internal components.

Terminals 1 and 2

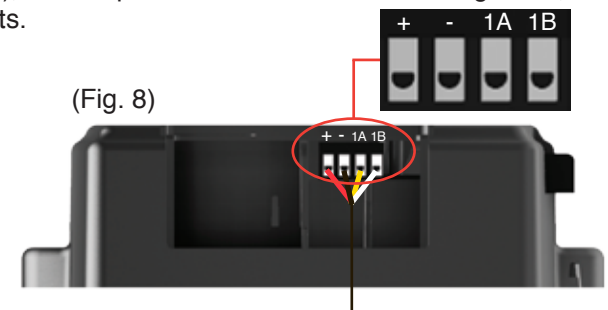
Auto Dialer Power Supply
RED = "+"
BLACK = "-"

Terminals 3 and 4

Auto Dialer Contacts
YELLOW = 1A
WHITE = 1B



(Fig. 8)



Installation of the Versa'larm Continued

4. If connecting to existing alarm security system or BAS system leave Terminals “+” and “-” open and use 18 AWG 2 conductor wire to connect the existing product to Terminals 1A and 1B (Fig. 9). When connected, replace the access cover and pull the wires through the knockouts on the access cover (Fig. 10 and Fig. 11), see Step 5. **Caution!** - When installing wires, route all wires away from sharp objects and internal components.

Terminals “+” and “-”
DO NOT USE

Terminals 1A and 1B
Normally Open

Class 2, 24 VDC/VAC (50/60 Hz)
100 Milliamps **MAXIMUM**

BAS (Building Automation System)
or
another high water alarm
or
any monitoring system

(Fig. 9)



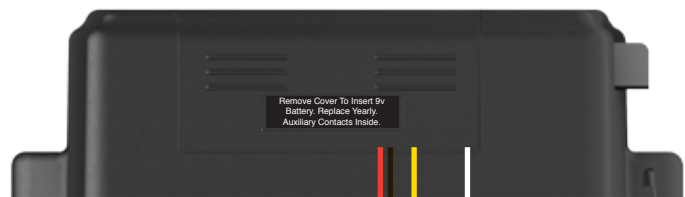
NOTE: The auxiliary contacts on Terminals 1A and 1B of the Versa'larm are Normally Open only.

5. Use a needle nose pliers (not included) to remove the desired “break away tabs” from the access cover, lightly pull and twist off tab(s) (Fig. 10). Run the wires through the knockouts when replacing the access cover (Fig. 11).

(Fig. 10)



(Fig. 11)



6. Make note of the alarm condition(s) you are monitoring and keep near the alarm.

Installation of the Versa'larm Continued

7. Connect any combination of switches (rated 9 VDC, 200 mA MINIMUM) (Fig. 12) such as a float switch, pressure switch, WaterSpotter™, WaterSpotter™ Probe, etc. to Terminals C and 1 on the terminal block of the Versa'larm. TERMINAL 2 IS NEVER USED. The alarm is activated by a closed switch. **Caution!** - When installing the “signaling switch”, refer to its installation instructions for proper installation.

Terminals C and 1

Unimax™ - Float Switch

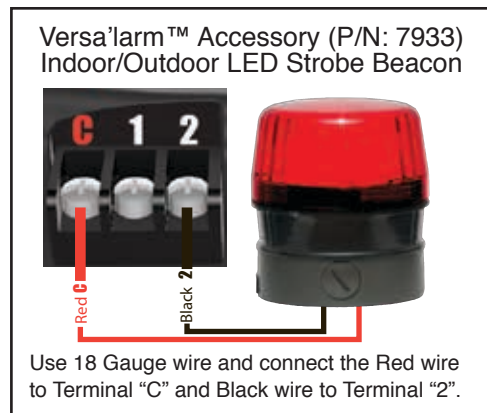
BLACK = 1
WHITE = C

WaterSpotter™ & WaterSpotter™ Probe

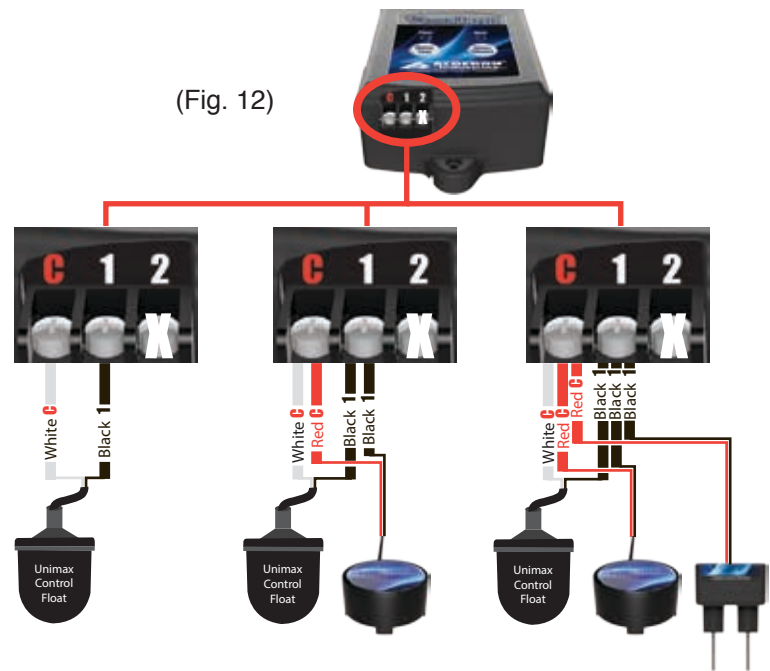
BLACK = 1
RED = C

Combination of Sensors

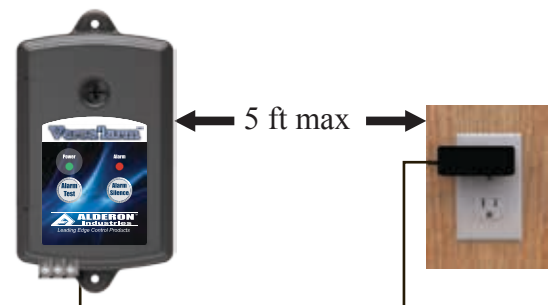
BLACKS = 1
REDS / WHITES = C



(Fig. 12)



8. Plug the power supply into a 120 VAC, 50/60 Hz standard wall outlet. The green “Power” light should come on.



9. Test the system by pressing the “Test” switch or by activating the “Signaling Device” (Fig. 13). The buzzer and the red alarm light will be “on”. Press the “Silence” switch, the buzzer will silence but the alarm light will remain “on”. Deactivate the “Signaling Device”, the alarm light will turn “off”. Since the Versa'larm is equipped with “Auto Reset”, reactivating the “Signaling Device” for a new test cycle will reactivate the buzzer and alarm light. Test product weekly to ensure system integrity.

(Fig. 13)

