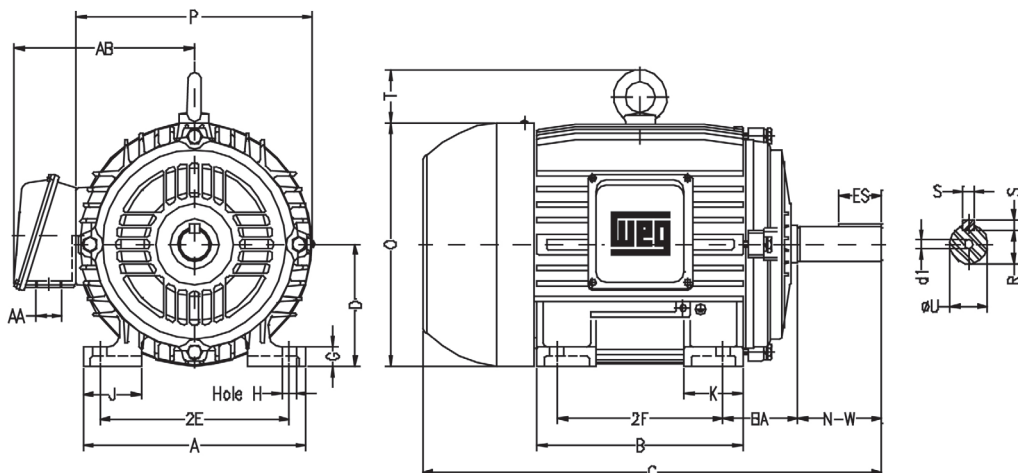


W21 – GENERAL PURPOSE MOTORS TEFC – THREE PHASE

NEMA FRAMES	MOUNTING				A	B	C	D	G	J	K	O	P	T	KEYWAY			SHAFT EXTENSION		AB	AA	D1	BEARINGS			
	2E	2F	H	BA											S	R	ES	N-W	U				D.E.	O.D.E.		
143T	5.500	4.000	0.344	2.250	6.457	5.157	12.346	3.500	0.551	1.496	1.654	7.008	7.047			0.187	0.765	1.575	2.250	0.875	6.102	NPT 3/4"	A 4	6205-ZZ	6204-ZZ	
145T		5.000				6.142	13.346																6.204-ZZ			
W182/4T	7.500	4.500	0.406	2.750	8.661	6.969	15.630	4.500	0.720	1.890	2.441	8.909	7.795									NPT 1"	A 4	6206-ZZ	6205-ZZ	
182T		4.500				5.945	14.860																6.206-ZZ			
184T	8.500	5.500	0.406	3.500	9.764	6.969	15.860	5.250	0.827	2.008	2.165	10.841	10.630										A 4	6307-ZZ	6206-ZZ	
213T		5.500				7.362	18.021																6.207-ZZ			
215T	7.000	8.858	19.517	6.208-ZZ																						
W254/6T	10.000	8.268	0.531	4.250	12.126	11.732	25.000	6.250	0.866	2.520	3.465	11.841	10.670									NPT 1-1/2"	A 4	6309-C3	6209-Z-C3	
254T		10.000				8.252	10.000																23.213	6.209-C3		
256T	10.000	11.732	24.945	6.210-C3																						
284T	11.000	9.500	0.531	4.750	13.780	11.575	26.433	7.000	1.016	3.150	2.953	14.067	14.094										NPT 1-1/2"	A 4	6311-C3	6211-C3
284TS		9.500				25.061	7.000																	1.016	3.150	2.953
286T	11.000	27.929	26.557	6.212-C3																						
286TS	11.000	26.557	13.071	6.213-C3																						
324T	12.500	10.500	0.657	5.250	15.157	29.620	28.120	8.000	1.307	3.228	3.346	15.953	15.591	2.441									NPT 2"	A 4	6312-C3	6212-C3
324TS		10.500				28.120	8.000																	1.307	3.228	3.346
326T	12.000	31.116	29.616	6.213-C3																						
326TS	12.000	29.616	13.071	6.214-C3																						
364/5T	14.016	11.260	0.807	5.875	17.165	33.709	31.583	9.000	1.480	3.150	4.134	18.502											NPT 3"	6314-C3		
364/5TS		11.260				31.583	9.000																	1.480	3.150	4.134
404/5T	15.984	12.244	0.807	6.625	19.921	38.077	35.077	10.000	1.811		5.433	19.496	18.740	2.795									NPT 3"	6314-C3		
404/5TS		12.244				35.077	10.000																	1.811	5.433	19.496
444/5T	18.000	14.500	0.807	7.500	21.929	43.776	40.026	11.000	1.630	3.937	5.591	22.713											2X NPT3"	6316-C3		
444/5TS		14.500				40.026	11.000																	1.630	3.937	5.591
447T	20.000	21.496	23.622	6.217-C3																						
447TS	20.000	43.549	11.000	1.654	23.622	3.543	6.218-C3																			
449T	25.000	21.929	0.807	7.500	21.929	54.976	51.226	12.500	2.146	4.724	5.984	24.213											2X NPT3"	6319-C3		
449TS		21.929				51.226	12.500																	2.146	4.724	5.984
504/5T	20.000	16.000	1.250	8.500	24.724	49.449	43.569	12.500	2.146	4.724	5.984	24.213											2X NPT3"	6319-C3		
504/5TS		16.000				43.569	12.500																	2.146	4.724	5.984
586/7T	23.000	22.000	1.181	10.000	29.528	61.074	54.199	14.500	2.492	5.512	7.874	29.067	32.126	4.291									UNC 7/8"	6322-C3	6319-C3	
586/7TS		22.000				54.199	14.500																	2.492	5.512	7.874

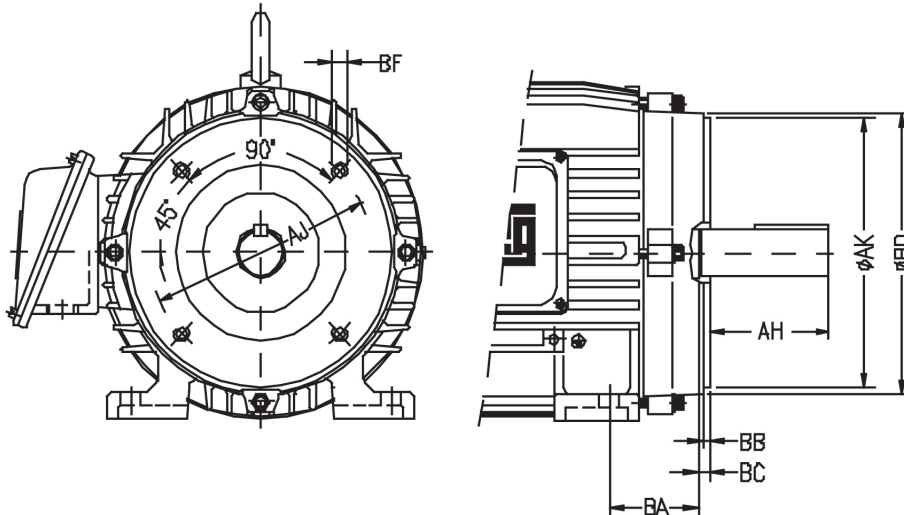
FOR MOTORS WITH ROLLER BEARING, PLEASE CONSIDER SAME SIZE BEARING (I.E. FOR AN 6319-C3 BALL BEARING, ITS EQUIVALENT ROLLER BEARING IS NU319-C3)
* FOR 1800 RPM



MOTOR
MECHANICAL DATA

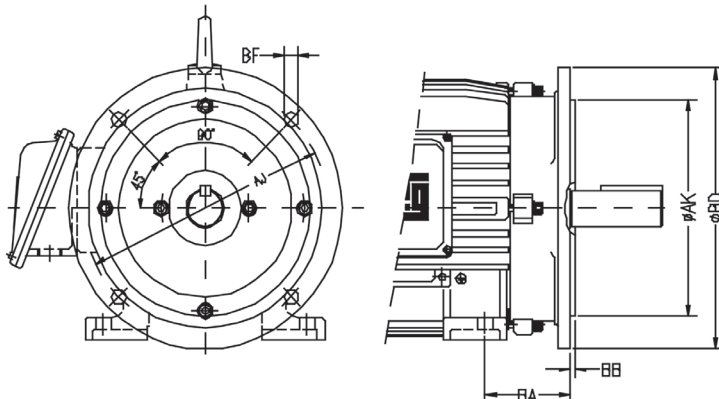
W21 – GENERAL PURPOSE MOTORS TEFC – THREE PHASE

"C" FLANGE DIMENSIONS									
NEMA FRAMES	BA	AJ	AK	BD	BF		BB	BC	AH
					NUMBER	TAP SIZE			
143TC	2,250	5,875	4,500	6,500	4	UNC3/8"X16	0.156	0.125	2,125
145TC									2,625
W182/4TC	2,750	7,250	8,500	8,875	4	UNC1/2"X13	0.250	0.250	3,125
182TC									3,750
184TC	3,500	9,000	10,500	11,031	4	UNC1/2"X13	0.250	0.250	4,375
W213/5TC									3,000
213TC	4,250	11,000	12,500	13,583	4	UNC1/2"X13	0.250	0.250	4,375
215TC									3,000
W254/6TC	4,750	14,000	16,000	17,913	8	UNC5/8"X11	0.250	0.250	5,000
254TC									3,500
256TC	5,250	14,500	16,500	15,551	8	UNC5/8"X11	0.250	0.250	5,000
284TC									3,500
284TSC	5,875	14,500	16,500	15,551	8	UNC5/8"X11	0.250	0.250	5,625
286TC									3,500
286TSC	6,625	14,500	16,500	15,551	8	UNC5/8"X11	0.250	0.250	7,000
324TC									4,000
324TSC	7,500	14,000	16,000	17,913	8	UNC5/8"X11	0.250	0.250	8,250
326TC									4,500
326TSC	7,500	14,000	16,000	17,913	8	UNC5/8"X11	0.250	0.250	8,250
364/5TC									4,500
364/5TSC	8,500	14,500	16,500	15,551	8	UNC5/8"X11	0.250	0.250	8,250
404/5TC									4,500
404/5TSC	10,000	14,500	16,500	15,551	8	UNC5/8"X11	0.250	0.250	10,375
444/5TC									4,500
444/5TSC	7,500	14,000	16,000	17,913	8	UNC5/8"X11	0.250	0.250	8,250
447TC									4,500
447TSC	7,500	14,000	16,000	17,913	8	UNC5/8"X11	0.250	0.250	8,250
449TC									4,500
449TSC	8,500	14,500	16,500	15,551	8	UNC5/8"X11	0.250	0.250	4,500
504/5TC									10,375
504/5TSC	10,000	14,500	16,500	15,551	8	UNC5/8"X11	0.250	0.250	4,500
586/7TC									11,375
586/7TSC	4,500								



W21 – GENERAL PURPOSE MOTORS TEFC – THREE PHASE

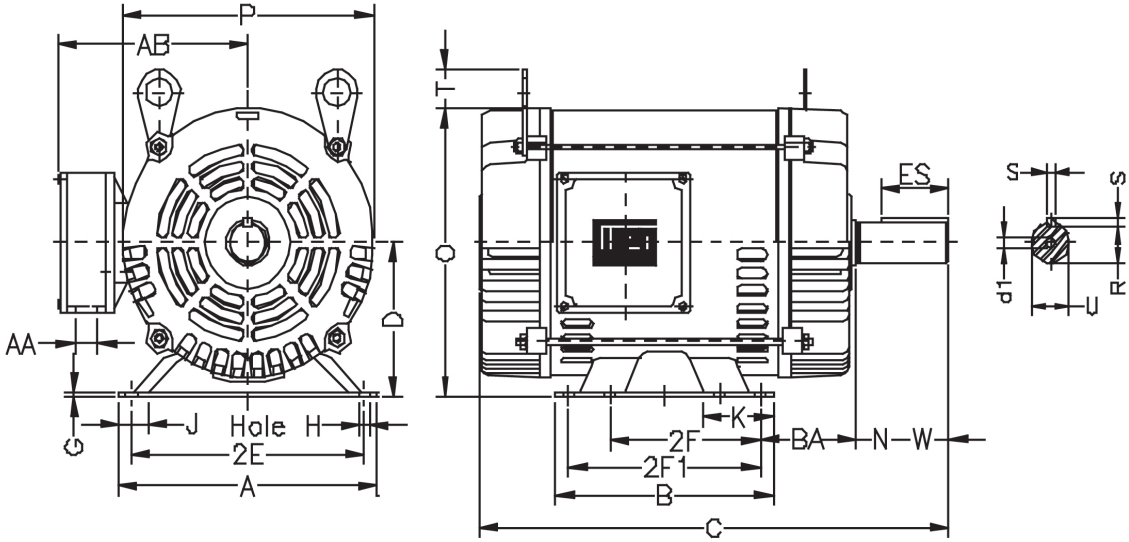
"D" FLANGE DIMENSIONS							
NEMA FRAMES	BA	AJ	AK	BD	BF		BB
					NUMBER	TAP SIZE	
143TD	2,250	10,000	9,000	11,000	4	0.562	0.203
145TD							
W182/4TD							
182TD							
184TD							
W213/5TD							
213TD	3,500						
215TD							
W254/6TD	4,250						
254TD							
256TD							
284TD	4,750						
284TSD							
286TD							
286TSD							
324TD	5,250	16,000	14,000	18,000			
324TSD							
326TD							
326TSD							
364/5TD	5,875	17,716	22,000	17,716			
364/5TSD							
404/5TD	6,625	20,000	18,000	22,000			
404/5TSD							
444/5TD	7,500	21,653	18,000	21,653			
444/5TSD							
447TD							
447TSD							
449TD							
449TSD							
504/5TD	8,500	22,000	18,000	24,803			
504/5TSD							
586/7TD	10,000	30,000	28,000	32,000			
586/7TSD							
5008TD	8,500	30,000	28,000	32,000			
5008TSD							



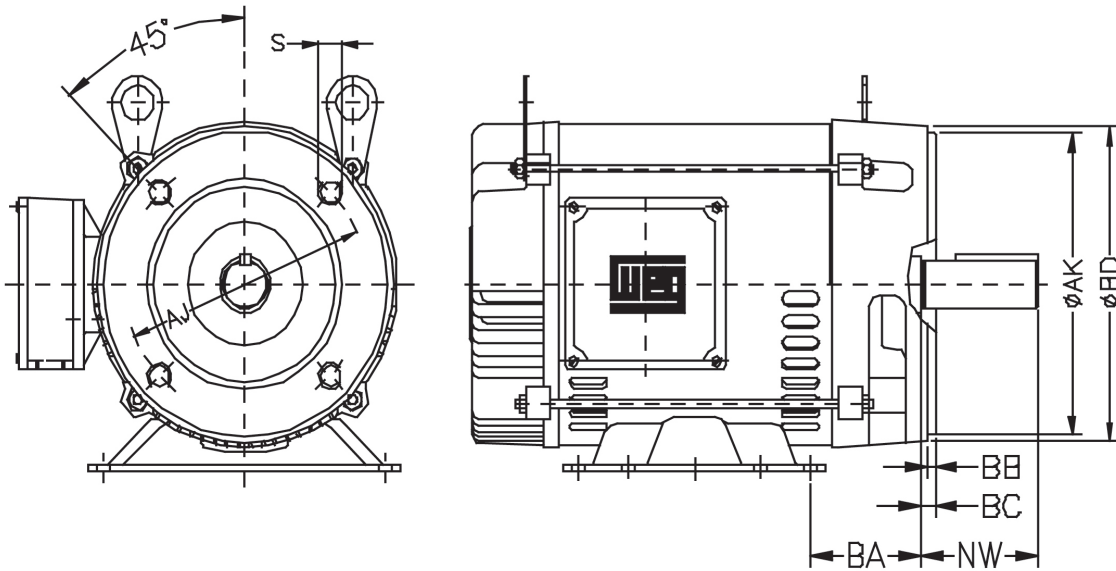
MOTOR
MECHANICAL DATA

GENERAL PURPOSE MOTORS ODP – FRAME 182T – 215T

NEMA FRAMES	MOUNTING					A	B	C	D	G	J	K	O	P	T	KEYWAY			SHAFT EXTENSION		AB	AA	D1	BEARINGS	
	2E	2F	2F1	H	BA											S	R	ES	N-W	U				D.E.	O.D.E.
	182T	7.500	4.500	5.500	0.406											2.750	8.661	6.299	13.504	4.500				0.187	1.171
184T				14.291																					
213/5T	8.500	5.500	7.000		3.488	9.448	7.952	17.165	5.250		1.063	2.567	9.842	8.779	1.378	0.312	1.203	2.480	3.375	1.375	6.795			6208-ZZ	6206-ZZ



"C" FLANGE DIMENSIONS									
NEMA FRAME	BA	AJ	AK	BD	BF		BB	BC	AH
					NUMBER	TAPE SIZE			
182/4T	2.750						0.125	2.625	
213/5T	3.500	7.250	8.500	8.875	4	UNC 1/2"x16	0.250	3.125	

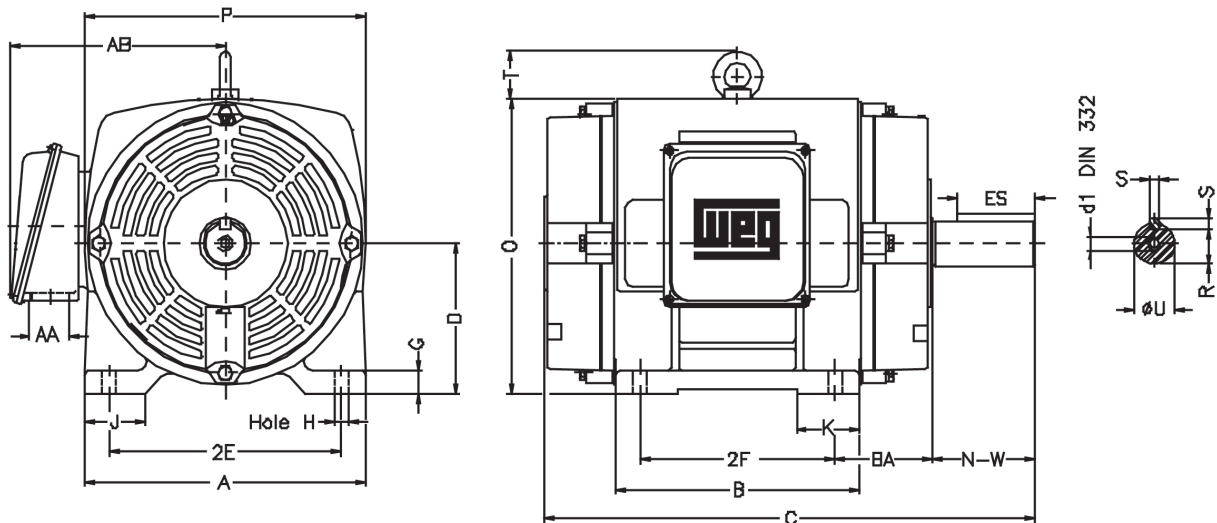


MOTOR
TECHNICAL DATA

GENERAL PURPOSE MOTORS ODP – THREE PHASE – FRAME 254T – 447/9T

NEMA FRAMES	MOUNTING				A	B	C	D	G	J	K	O	P	T	KEYWAY			SHAFT EXTENSION		AB	AA	d1	BEARINGS	
	2E	2F	H	BA											S	R	ES	N-W	U				D.E.	O.D.E.
254T	10.000	8.250	0.531	4.250	12.130	10.100	20.669	6.250	0.787	2.520	2.560	12.204	11.812	2.165	0.375	1.406	2.756	4.000	1.625	10.079	NPT1.1/2"	A4	6309-Z-C3	6209-Z-C3
256T		10.000			11.732	22.401	11.732								22.401	0.375	1.406	2.756	4.000				1.625	
284T	11.000	9.500	0.531	4.750	13.780	23.386	22.000	7.000	1.102	3.150	2.960	13.858	13.700	2.165	0.500	1.594	3.149	4.622	1.875	10.866	NPT1.1/2"	A4	6311-Z-C3	6211-Z-C3
284TS						11.000									11.574	23.386	11.574	23.386	0.375					
286T	11.000	11.000	0.531	4.750	13.780	24.882	22.000	7.000	1.102	3.150	2.960	13.858	13.700	2.165	0.500	1.594	3.149	4.622	1.875	10.866	NPT1.1/2"	A4	6311-Z-C3	6211-Z-C3
286TS						11.000									23.504	23.504	0.375	1.406	2.480					
324T	12.500	10.500	0.657	5.250	15.160	26.181	27.667	8.000	1.299	3.230	3.350	15.551	15.118	2.559	1.844	3.937	5.250	2.125	11.496	NPT2"	A4	6312-Z-C3	6212-Z-C3	
324TS						12.500									13.070	26.181	13.070	26.181						0.500
326T	12.000	12.000	0.657	5.250	15.160	27.667	27.667	8.000	1.299	3.230	3.350	15.551	15.118	2.559	1.844	3.937	5.250	2.125	11.496	NPT2"	A4	6312-Z-C3	6212-Z-C3	
326TS						12.000									14.566	27.667	14.566	27.667						0.500
364/5T	14.000	11.250	0.657	5.875	17.170	29.764	27.638	9.000	1.480	3.150	4.140	18.425	17.874	2.795	0.625	2.019	4.330	5.874	2.375	16.378	NPT3"	UNC3/4"	6314-C3	6314-C3
364/5TS		14.000				11.250									29.764	11.250	29.764	0.500	1.591					
404/5T	16.000	12.250	0.657	6.625	19.950	34.133	31.141	10.000	1.968	3.950	5.440	19.409	17.874	2.800	0.750	2.449	5.512	7.250	2.875	16.378	NPT3"	UNC3/4"	6314-C3	6314-C3
404/5TS		16.000				13.750									34.133	13.750	34.133	0.500	1.842					
444/5T	18.000	14.500	0.807	7.500	21.929	39.803	36.062	11.000	1.811	3.937	5.590	22.440	22.125	3.544	0.875	2.880	7.087	8.500	3.375	20.236	2xNPT3"	UNC3/4"	6319-C3	6316-C3
444/5TS		18.000				16.500									39.803	16.500	39.803	0.625	2.021				3.000	4.750
447/9T	20.000	20.000	0.807	7.500	21.929	48.317	44.567	11.000	1.811	3.937	5.590	22.440	22.125	3.544	0.875	2.880	7.087	8.500	3.375	20.236	2xNPT3"	UNC3/4"	6319-C3	6316-C3
447/9TS		20.000				20.000									48.317	20.000	48.317	0.625	2.021				3.000	4.750
447/9T	25.000	25.000	0.807	7.500	21.929	48.317	44.567	11.000	1.811	3.937	5.590	22.440	22.125	3.544	0.875	2.880	7.087	8.500	3.375	20.236	2xNPT3"	UNC3/4"	6319-C3	6316-C3
447/9TS		25.000				25.000									48.317	25.000	48.317	0.625	2.021				3.000	4.750

* FOR 1800RPM

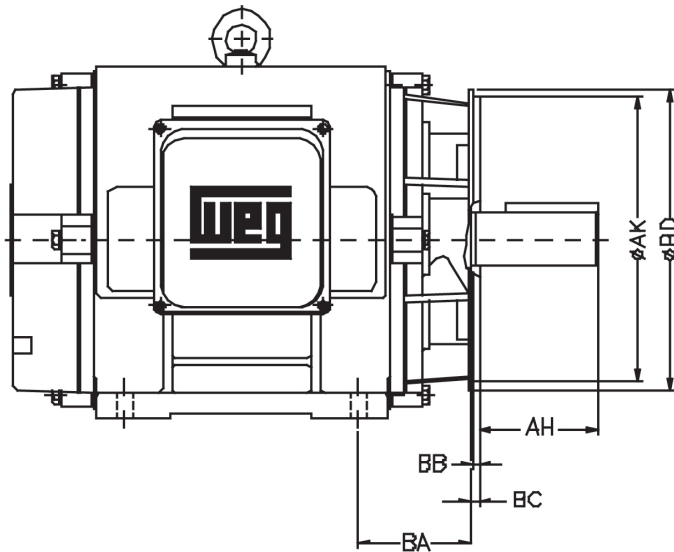
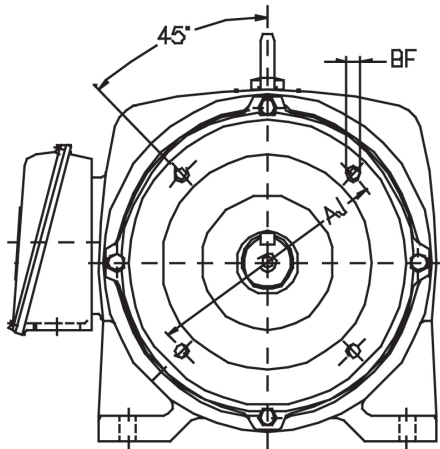


MOTOR
MECHANICAL DATA

GENERAL PURPOSE MOTORS
ODP – THREE PHASE – FRAME 254T – 447/9T

“C” FLANGE DIMENSIONS

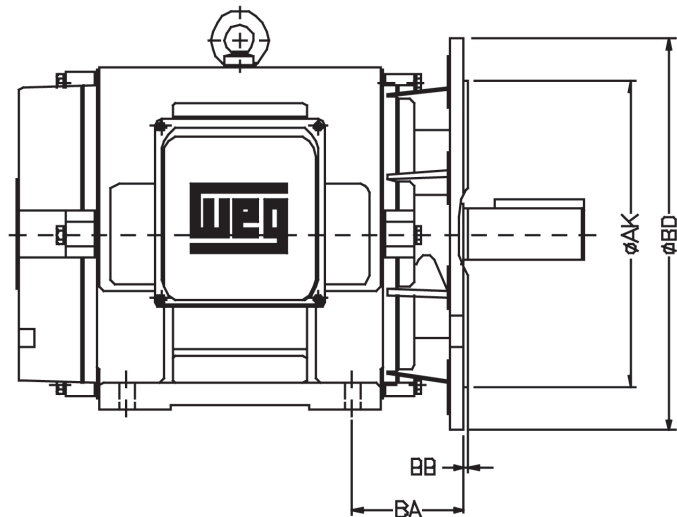
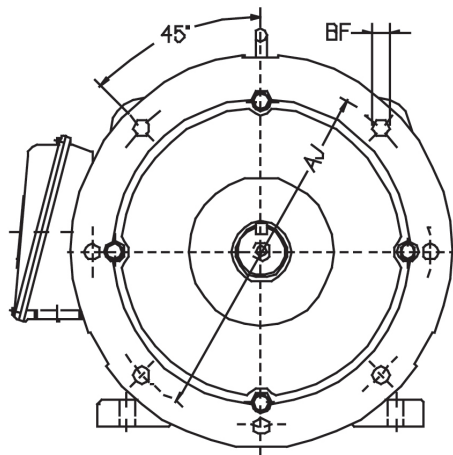
NEMA FRAMES	BA	AJ	AK	BD	BF		BB	BC	AH
					NUMBER	TAP SIZE			
254TC	4.250	7.250	8.500	8.875	4	UNC1/2" - 13	0.250	0.250	3.750
256TC									4.375
284TC	3.000								
284TSC	4.375								
286TC	3.000								
286TSC	5.000								
324TC	3.500								
324TSC	5.000								
326TC	3.500								
326TSC	5.625								
364/5TC	5.875	11.000	12.500	15.562	8	UNC5/8" - 11	0.250	0.250	3.500
364/5TSC									7.000
404/5TC	4.000								
404/5TSC	6.625								
444/5TC	8.250								
444/5TSC	4.500								
447/9T	8.250								
447/9TS	4.500								



GENERAL PURPOSE MOTORS ODP – THREE PHASE – FRAME 254T–447/9T

“D” FLANGE DIMENSIONS

NEMA FRAMES	BA	AJ	AK	BD	BF		BB			
					NUMBER	TAP SIZE				
254TD	4.250	12.500	11.000	14.000	4	0.828	0.250			
256TD										
284TD										
284TSD										
286TD										
286TSD										
324TD	4.750	16.000	14.000	18.000						
324TSD										
326TD										
326TSD										
364/5TD	5.250							17.716	21.653	8
364/5TSD										
404/5TD										
404/5TSD	5.875	20.000	18.000	21.653						
444/5TD										
444/5TSD	6.625				21.653	18.000	21.653			
447/9T										
447/9TS										
447/9TS										



MOTOR
MECHANICAL DATA