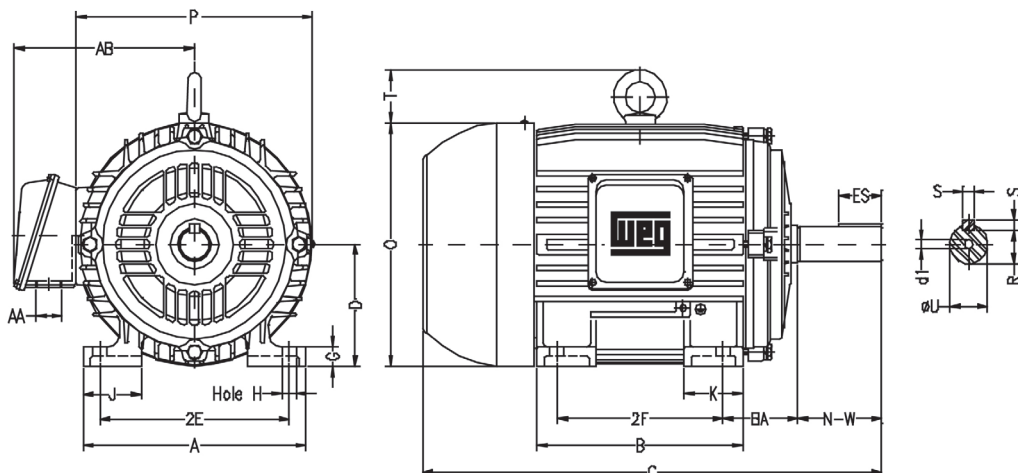


W21 – GENERAL PURPOSE MOTORS TEFC – THREE PHASE

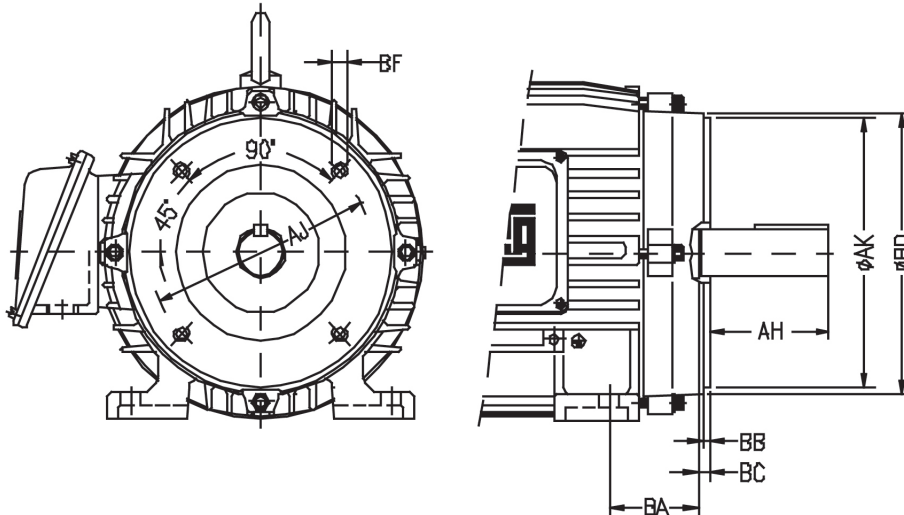
NEMA FRAMES	MOUNTING				A	B	C	D	G	J	K	O	P	T	KEYWAY			SHAFT EXTENSION		AB	AA	D1	BEARINGS		
	2E	2F	H	BA											S	R	ES	N-W	U				D.E.	O.D.E.	
143T	5.500	4.000	0.344	2.250	6.457	5.157	12.346	3.500	0.551	1.496	1.654	7.008	7.047			0.187	0.765	1.575	2.250	0.875	6.102	NPT 3/4"	A 4	6205-ZZ	6204-ZZ
145T		5.000				6.142	13.346																6.204-ZZ		
W182/4T	7.500	4.500	0.406	2.750	8.661	6.969	15.630	4.500	0.720	1.890	2.441	8.909	7.795									NPT 1"	A 4	6206-ZZ	6205-ZZ
182T		4.500				5.945	14.860																6.206-ZZ		
184T	8.500	5.500	0.406	3.500	9.764	6.969	15.860	5.250	0.827	2.008	2.165	10.841	10.630										A 4	6307-ZZ	6206-ZZ
213T		5.500				7.362	18.021																6.207-ZZ		
215T	7.000	8.858	19.517	6.208-ZZ																					
W254/6T	10.000	8.268	0.531	4.250	12.126	11.732	25.000	6.250	0.866	2.520	3.465	11.841	10.670									NPT 1-1/2"	A 4	6309-C3	6209-Z-C3
254T		10.000				10.000	23.213																6.209-C3		
256T	11.000	8.252	0.531	4.250	12.126	11.732	24.945	6.250	0.817	2.559	12.431	12.283											A 4	6311-C3	6209-C3
284T		10.000				11.732	24.945																6.211-C3		
284TS	11.000	9.500	0.531	4.750	13.780	11.575	26.433	7.000	1.016	3.150	2.953	14.067	14.094										A 4	6311-C3	6211-C3
286T		11.000				25.061	27.929																6.213-C3		
286TS	12.500	11.000	0.657	5.250	15.157	26.557	29.616	8.000	1.307	3.228	3.346	15.953	15.591	2.441									A 4	6312-C3	6212-C3
324T		10.500				13.071	29.620																6.215-C3		
324TS	12.500	10.500	0.657	5.250	15.157	28.120	31.116	8.000	1.307	3.228	3.346	15.953	15.591	2.441									A 4	6312-C3	6212-C3
326T		12.000				14.567	29.616																6.217-C3		
326TS	14.016	11.260	0.807	5.875	17.165	33.709	31.583	9.000	1.480	3.150	4.134	18.502											A 4	6314-C3	6214-C3
364/5T		12.244				38.077	31.583																6.219-C3		
404/5T	15.984	12.244	0.807	6.625	19.921	38.077	35.077	10.000	1.811	5.433	19.496												A 4	6314-C3	6214-C3
404/5TS		13.740				35.077	35.077																6.221-C3		
444/5T	18.000	14.500	0.807	7.500	21.929	43.776	40.026	11.000	1.630	3.937	5.591	22.713											A 4	6316-C3	6216-C3
444/5TS		16.500				40.026	40.026																6.223-C3		
447T	20.000	20.000	0.807	7.500	21.929	47.299	43.549	11.000	1.654	4.331	7.087	23.031											A 4	6316-C3	6216-C3
447TS		20.000				43.549	43.549																6.225-C3		
449T	20.000	25.000	0.807	7.500	21.929	54.976	51.226	12.500	2.146	4.724	5.984	24.213											A 4	6316-C3	6216-C3
449TS		25.000				51.226	51.226																6.227-C3		
504/5T	23.000	16.000	1.181	10.000	29.528	49.449	43.569	14.500	2.492	5.512	7.874	29.067	32.126	4.291									A 4	6316-C3	6216-C3
504/5TS		18.000				43.569	43.569																6.229-C3		
586/7T	23.000	22.000	1.181	10.000	29.528	61.074	54.199	14.500	2.492	5.512	7.874	29.067	32.126	4.291									A 4	6316-C3	6216-C3
586/7TS		25.000				54.199	54.199																6.231-C3		

FOR MOTORS WITH ROLLER BEARING, PLEASE CONSIDER SAME SIZE BEARING (I.E. FOR AN 6319-C3 BALL BEARING, ITS EQUIVALENT ROLLER BEARING IS NU319-C3)
* FOR 1800 RPM



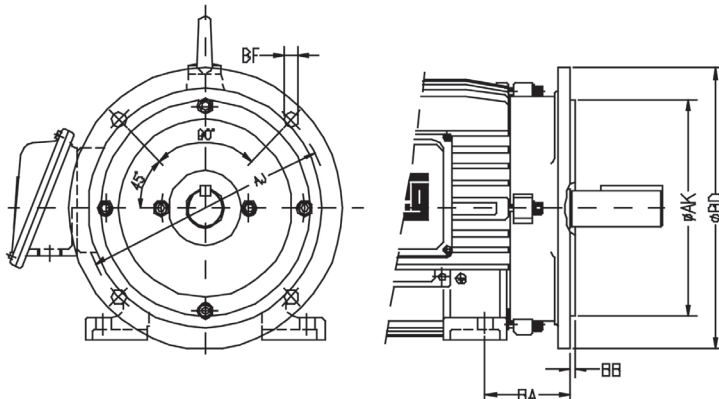
W21 – GENERAL PURPOSE MOTORS TEFC – THREE PHASE

"C" FLANGE DIMENSIONS									
NEMA FRAMES	BA	AJ	AK	BD	BF		BB	BC	AH
					NUMBER	TAP SIZE			
143TC	2,250	5,875	4,500	6,500	4	UNC3/8"X16	0.156	0.125	2,125
145TC									2,625
W182/4TC	2,750	7,250	8,500	8,875	4	UNC1/2"X13	0.250	0.250	3,125
182TC									3,750
184TC	3,500	9,000	10,500	11,031	4	UNC1/2"X13	0.250	0.250	4,375
W213/5TC									3,000
213TC	4,250	11,000	12,500	13,583	4	UNC1/2"X13	0.250	0.250	4,375
215TC									3,000
W254/6TC	4,750	14,000	16,000	17,913	8	UNC5/8"X11	0.250	0.250	5,000
254TC									3,500
256TC	5,250	14,500	16,500	15,551	8	UNC5/8"X11	0.250	0.250	5,000
284TC									3,500
284TSC	5,875	14,500	16,500	15,551	8	UNC5/8"X11	0.250	0.250	5,625
286TC									3,500
286TSC	6,625	14,500	16,500	15,551	8	UNC5/8"X11	0.250	0.250	7,000
324TC									4,000
324TSC	7,500	14,000	16,000	17,913	8	UNC5/8"X11	0.250	0.250	8,250
326TC									4,500
326TSC	7,500	14,000	16,000	17,913	8	UNC5/8"X11	0.250	0.250	8,250
364/5TC									4,500
364/5TSC	8,500	14,500	16,500	15,551	8	UNC5/8"X11	0.250	0.250	8,250
404/5TC									4,500
404/5TSC	10,000	14,500	16,500	15,551	8	UNC5/8"X11	0.250	0.250	10,375
444/5TC									4,500
444/5TSC	7,500	14,000	16,000	17,913	8	UNC5/8"X11	0.250	0.250	8,250
447TC									4,500
447TSC	7,500	14,000	16,000	17,913	8	UNC5/8"X11	0.250	0.250	8,250
449TC									4,500
449TSC	8,500	14,500	16,500	15,551	8	UNC5/8"X11	0.250	0.250	4,500
504/5TC									10,375
504/5TSC	10,000	14,500	16,500	15,551	8	UNC5/8"X11	0.250	0.250	4,500
586/7TC									11,375
586/7TSC	4,500								



W21 – GENERAL PURPOSE MOTORS TEFC – THREE PHASE

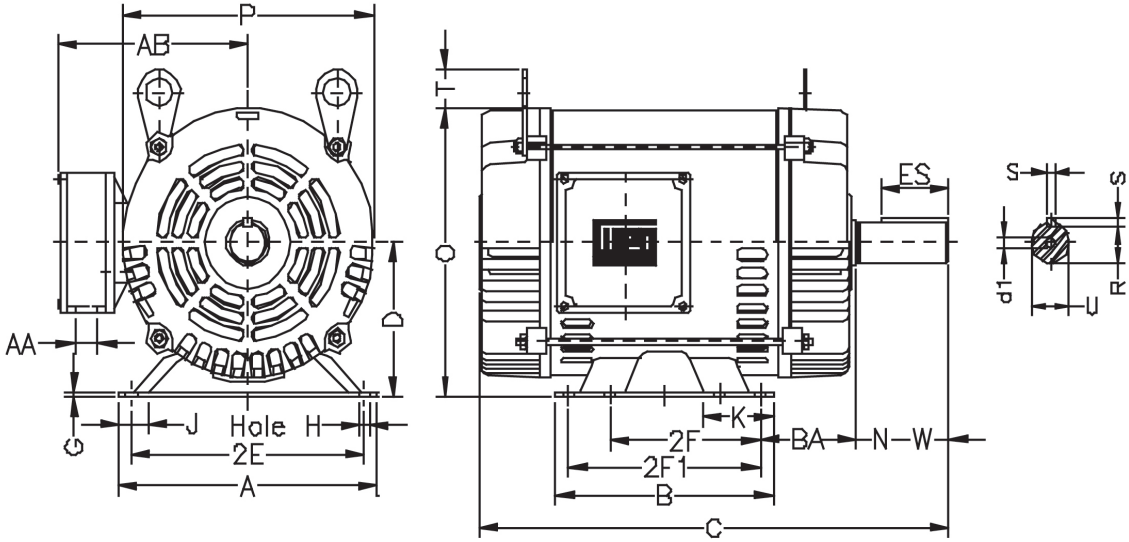
"D" FLANGE DIMENSIONS							
NEMA FRAMES	BA	AJ	AK	BD	BF		BB
					NUMBER	TAP SIZE	
143TD	2,250	10,000	9,000	11,000	4	0.562	0.203
145TD							
W182/4TD							
182TD							
184TD							
W213/5TD							
213TD	3,500						
215TD							
W254/6TD	4,250						
254TD							
256TD	4,750						
284TD							
284TSD							
286TD							
286TSD	5,250						
324TD							
324TSD							
326TD							
326TSD							
364/5TD		5,875					
364/5TSD							
404/5TD	6,625						
404/5TSD							
444/5TD	7,500						
444/5TSD							
447TD							
447TSD							
449TD							
449TSD							
504/5TD	8,500						
504/5TSD							
586/7TD	10,000						
586/7TSD							
5008TD	8,500						
5008TSD							



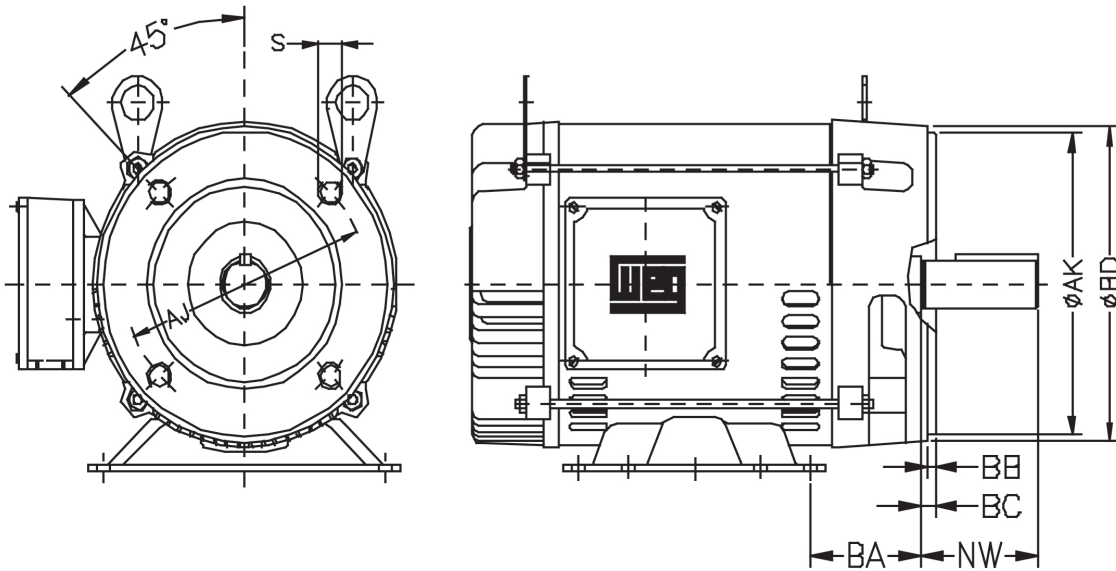
MOTOR
MECHANICAL DATA

GENERAL PURPOSE MOTORS ODP – FRAME 182T – 215T

NEMA FRAMES	MOUNTING					A	B	C	D	G	J	K	O	P	T	KEYWAY			SHAFT EXTENSION		AB	AA	D1	BEARINGS	
	2E	2F	2F1	H	BA											S	R	ES	N-W	U				D.E.	O.D.E.
	182T	7.500	4.500	5.500	0.406											2.750	8.661	6.299	13.504	4.500				0.187	1.171
184T				14.291																					
213/5T	8.500	5.500	7.000		3.488	9.448	7.952	17.165	5.250		1.063	2.567	9.842	8.779	1.378	0.312	1.203	2.480	3.375	1.375	6.795			6208-ZZ	6206-ZZ



"C" FLANGE DIMENSIONS									
NEMA FRAME	BA	AJ	AK	BD	BF		BB	BC	AH
					NUMBER	TAPE SIZE			
182/4T	2.750						0.125	2.625	
213/5T	3.500	7.250	8.500	8.875	4	UNC 1/2"X16	0.250	3.125	

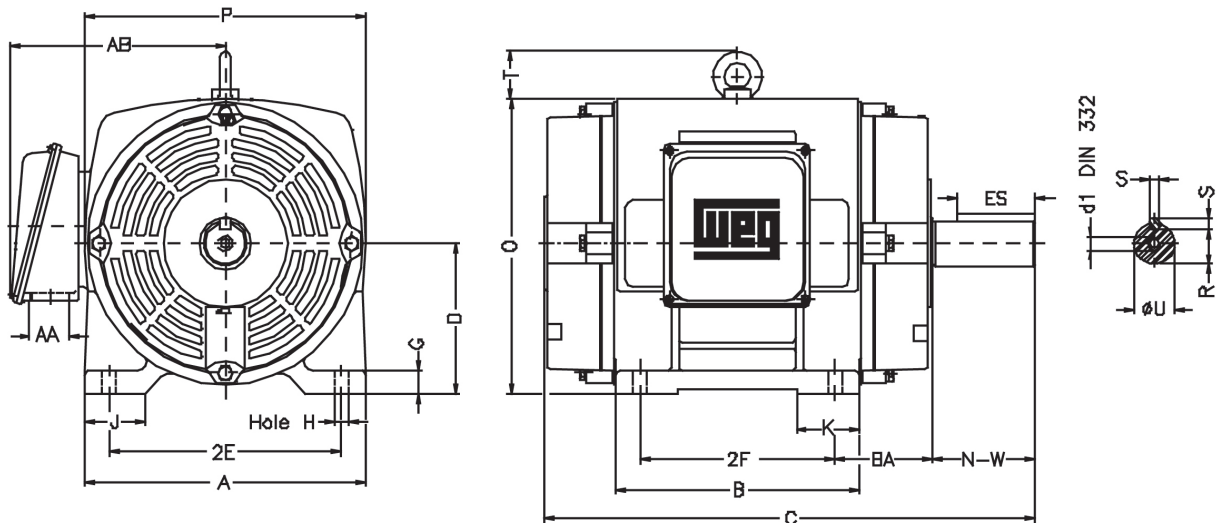


MOTOR
TECHNICAL DATA

GENERAL PURPOSE MOTORS ODP – THREE PHASE – FRAME 254T – 447/9T

NEMA FRAMES	MOUNTING				A	B	C	D	G	J	K	O	P	T	KEYWAY			SHAFT EXTENSION		AB	AA	d1	BEARINGS	
	2E	2F	H	BA											S	R	ES	N-W	U				D.E.	O.D.E.
254T	10.000	8.250	0.531	4.250	12.130	10.100	20.669	6.250	0.787	2.520	2.560	12.204	11.812	2.165	0.375	1.406	2.756	4.000	1.625	10.079	NPT1.1/2"	A4	6309-Z-C3	6209-Z-C3
256T		10.000			11.732	22.401	11.732								22.401									
284T		9.500			23.386	23.386	23.386																	
284TS	11.000	9.500	0.531	4.750	13.780	11.574	22.000	7.000	1.102	3.150	2.960	13.858	13.700	2.165	0.375	1.406	2.480	3.250	1.625	10.866	NPT1.1/2"	A4	6311-Z-C3	6211-Z-C3
286T						24.882	24.882								24.882									
286TS					11.000	23.504	23.504								23.504									
324T	12.500	10.500	0.657	5.250	13.070	26.181	26.181	8.000	1.299	3.230	3.350	15.551	15.118	2.559	0.375	1.406	2.480	3.250	1.625	11.496	NPT2"	A4	6312-Z-C3	6212-Z-C3
324TS						24.685									24.685	24.685								
326T						27.667									27.667	27.667								
326TS	12.000	12.000	0.657	5.250	14.566	26.181	26.181	8.000	1.299	3.230	3.350	15.551	15.118	2.559	0.375	1.406	2.480	3.250	1.625	11.496	NPT2"	A4	6312-Z-C3	6212-Z-C3
364/5T	14.000	11.250	0.657	5.875	17.170	29.764	29.764	9.000	1.480	3.150	4.140	18.425	17.874	2.795	0.625	2.019	4.330	5.874	2.375	16.378	NPT3"	UNC3/4"	6314-C3	6314-C3
364/5TS		12.250				27.638									27.638	27.638								
		11.250																						
404/5T	16.000	12.250	0.657	6.625	19.950	34.133	34.133	10.000	1.968	3.950	5.440	19.409	17.874	2.800	0.750	2.449	5.512	7.250	2.875	16.378	NPT3"	UNC3/4"	6316-C3	6316-C3
404/5TS		13.750				31.141									31.141	31.141								
		12.250																						
444/5T	18.000	14.500	0.807	7.500	21.929	39.803	39.803	11.000	1.811	3.937	5.590	22.440	22.125	3.544	0.875	2.880	7.087	8.500	3.375	18.150	2xNPT3"	UNC3/4"	6319-C3	6316-C3
444/5TS		16.500				36.062									36.062	36.062								
		14.500																						
447/9T	20.000	20.000	0.807	7.500	21.929	48.317	48.317	11.000	1.811	3.937	5.590	22.440	22.125	3.544	0.875	2.880	7.087	8.500	3.375	20.236	2xNPT3"	UNC3/4"	6319-C3	6316-C3
447/9TS		25.000				44.567									44.567	44.567								
		20.000																						
447/9TS	25.000	25.000	0.807	7.500	21.929	44.567	44.567	11.000	1.811	3.937	5.590	22.440	22.125	3.544	0.625	2.021	3.000	4.750	2.375	18.150	2xNPT3"	UNC3/4"	6314-C3	6314-C3

* FOR 1800RPM

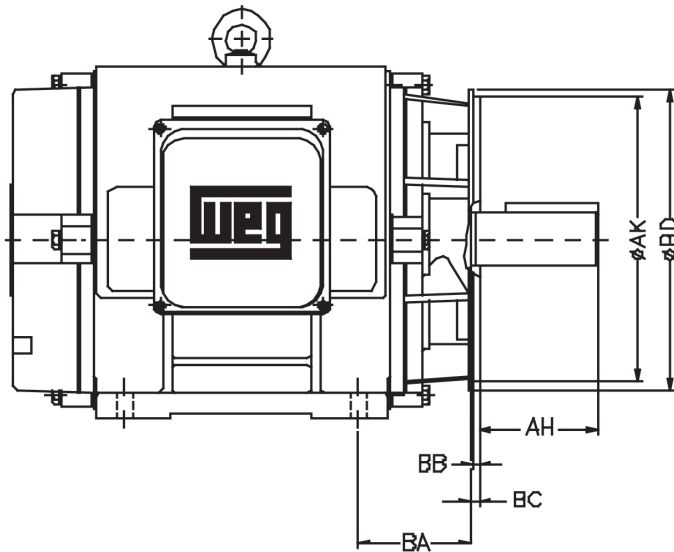
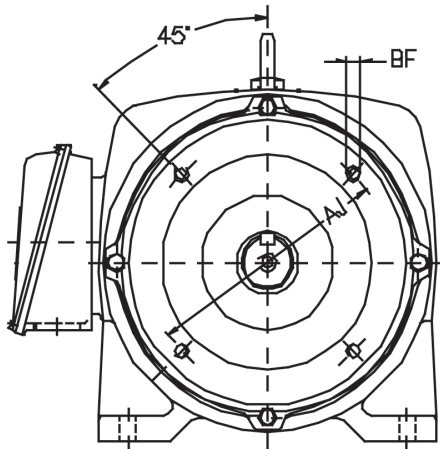


MOTOR
MECHANICAL DATA

GENERAL PURPOSE MOTORS
ODP – THREE PHASE – FRAME 254T – 447/9T

“C” FLANGE DIMENSIONS

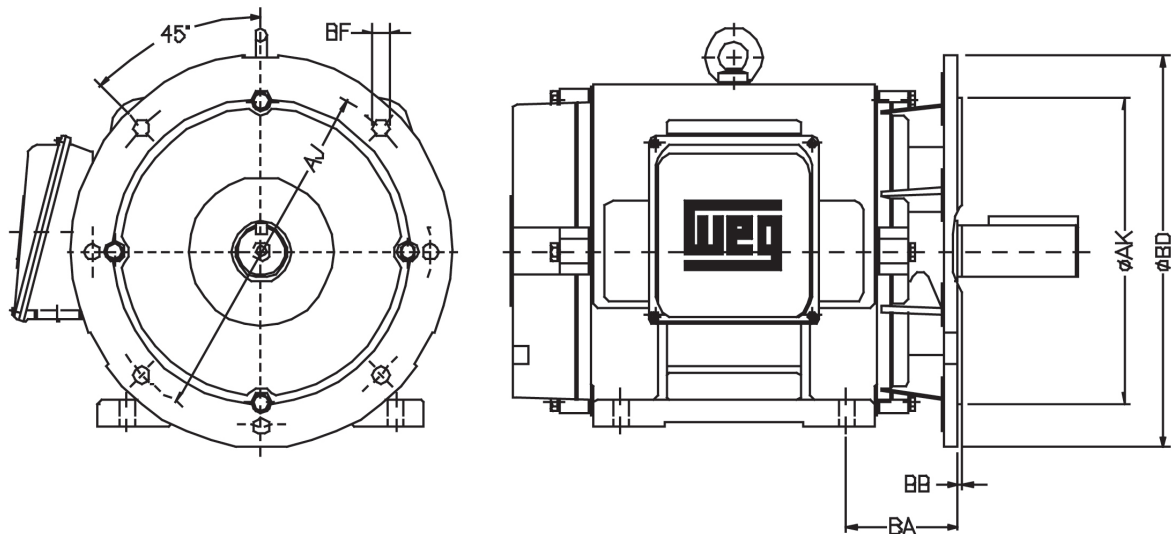
NEMA FRAMES	BA	AJ	AK	BD	BF		BB	BC	AH
					NUMBER	TAP SIZE			
254TC	4.250	7.250	8.500	8.875	4	UNC1/2" - 13	0.250	0.250	3.750
256TC									4.375
284TC	3.000								
284TSC	4.375								
286TC	3.000								
286TSC	5.000								
324TC	3.500								
324TSC	5.000								
326TC	3.500								
326TSC	5.625								
364/5TC	5.875	11.000	12.500	15.562	8	UNC5/8" - 11	0.250	0.250	3.500
364/5TSC									7.000
404/5TC	4.000								
404/5TSC	8.250								
444/5TC	4.500								
444/5TSC	8.250								
447/9T	4.500								
447/9TS									



GENERAL PURPOSE MOTORS ODP – THREE PHASE – FRAME 254T–447/9T

“D” FLANGE DIMENSIONS

NEMA FRAMES	BA	AJ	AK	BD	BF		BB						
					NUMBER	TAP SIZE							
254TD	4.250	12.500	11.000	14.000	4								
256TD													
284TD													
284TSD													
286TD													
286TSD													
324TD	4.750	16.000	14.000	18.000	4								
324TSD													
326TD													
326TSD													
364/5TD	5.250							16.000	14.000	17.716	4	0.828	0.250
364/5TSD													
404/5TD													
404/5TSD	6.625	20.000	18.000	21.653	8								
444/5TD													
444/5TSD													
447/9T	7.500							20.000	18.000	21.653	8		
447/9TS													



MOTOR
MECHANICAL DATA