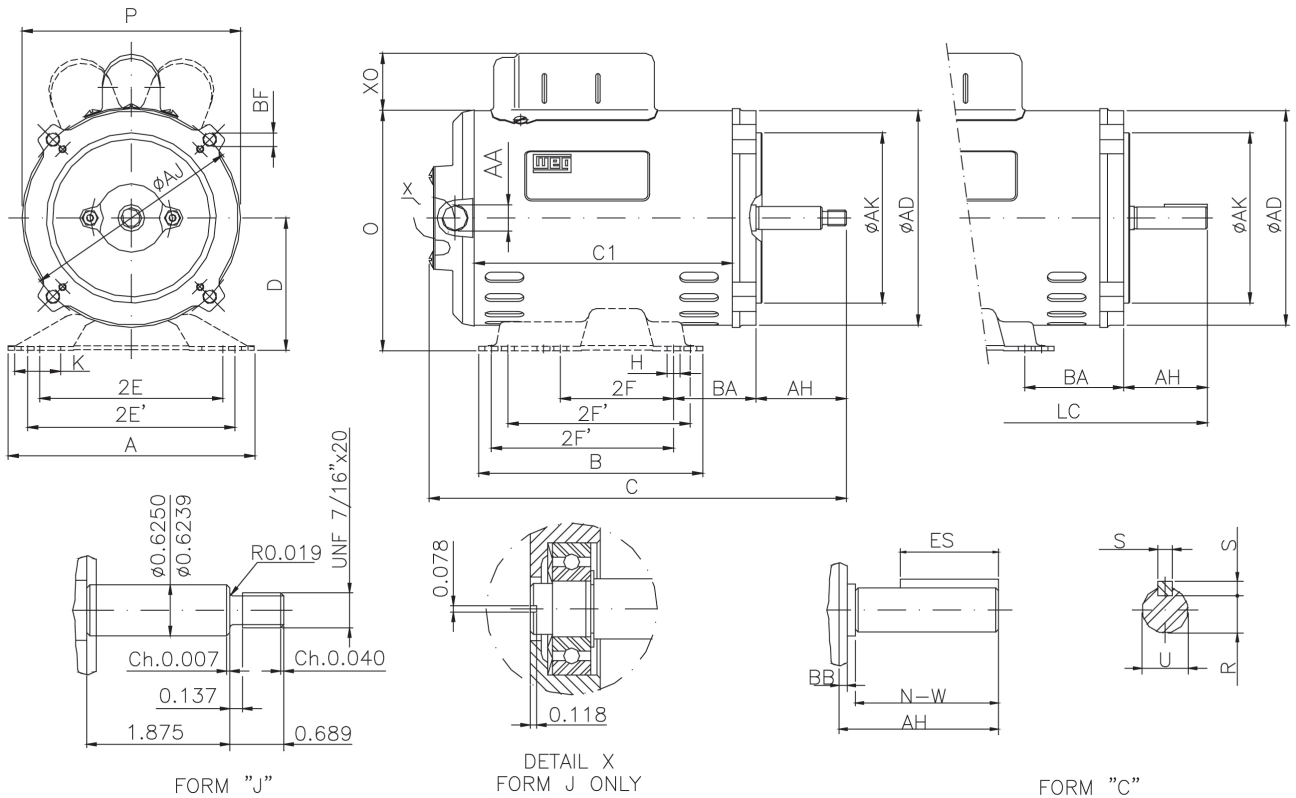


JET PUMP MOTORS – NEMA 56 ODP – SINGLE PHASE

NEMA		MOUNTING							A	B	C	LC	C1	D	O	P	XO	KEYWAY			SHAFT EXTENSION		AA	BEARINGS	
FRAME	HP	2E	2E'	2F	2F'	H	K	BA										S	R	ES	N-W	U		D.E.	O.D.E.
W56	1/4	4.875	3.000	0.343	1.220	2.559	6.535	4.015	10.748	10.236	6.299	3.500	6.378	5.669	1.516	0.187	0.517	1	1.875	0.6250	NPT 1/2"	6203-2RS	6203-2RS		
	1/3																								
	1/2																								
	3/4																								
E56	1	5.500	5.000	0.343	1.220	2.559	6.535	4.015	12.047	11.535	6.693	3.500	6.772	6.535	1.300	0.187	0.517	1	1.875	0.6250	NPT 1/2"	6203-2RS	6203-2RS		
	1 1/2																								
	2	5.500	5.000	0.343	1.220	2.559	6.535	6.496	12.835	12.323	7.480	3.500	6.772	6.535	1.300	0.187	0.517	1	1.875	0.6250	NPT 1/2"	6203-2RS	6203-2RS		
	3																								
									14.016	13.504	8.661														

"C" FLANGE DIMENSIONS

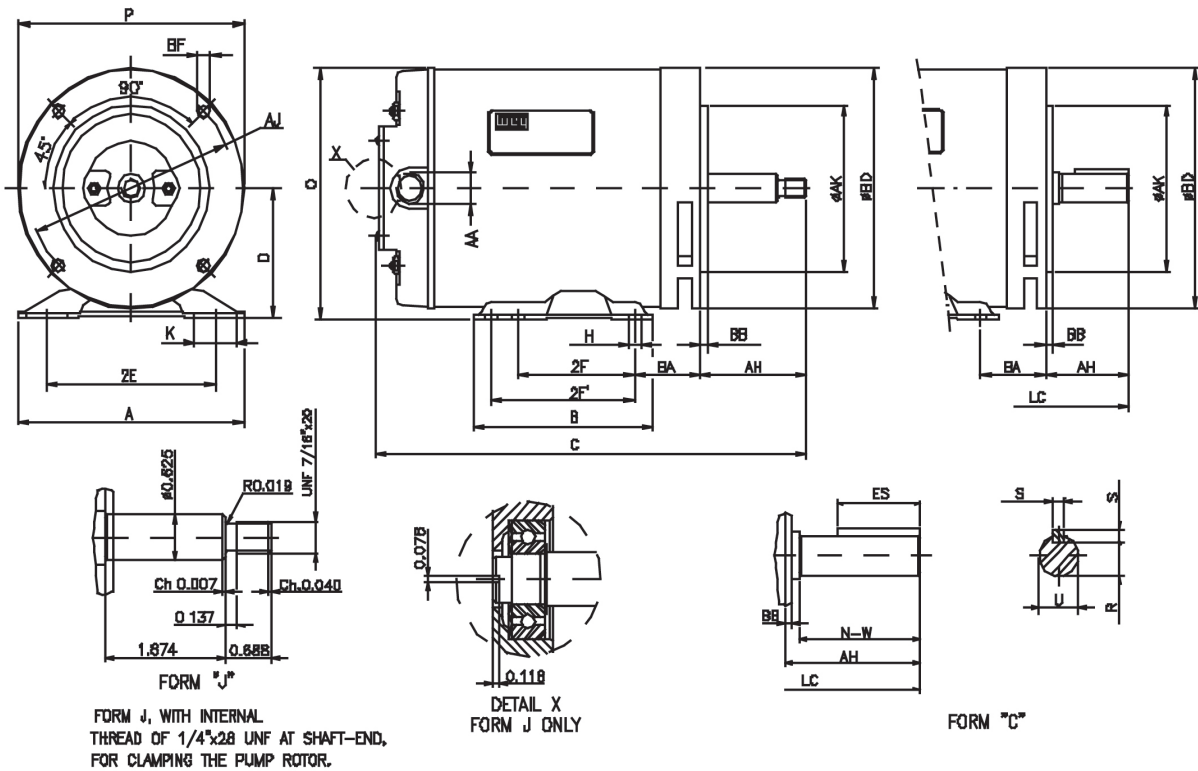
FLANGE	AJ	AK	BD	BF		AH	
				NUMBER	TAP SIZE	FORM C	FORM J
FC-95	3.748	3.000	5.748	4	UNC 1/4"X20	2.063	2.563
FC-149	5.875	4.500	6.496		UNC 3/8"X16		



JET PUMP MOTORS – NEMA 56 ODP – THREE PHASE

NEMA FRAME	MOUNTING							A	B	C	LC	D	O	P	KEYWAY			SHAFT EXTENSION		AA	BEARINGS	
	2E	2E'	2F	2F'	H	K	BA								S	R	ES	N-W	U		D.E.	O.D.E.
A56	4.875		3.000		0.343	1.220	2.559	6.535	4.015	11.024	10.551	3.500	6.772	6.535	0.187	0.517	1,417	1,874	0.6250	NPT 1/2"	6203-2RS	6202-2RS
B56										11.811	11.338											
D56										12.992	12.520											
F56H	5.500		5.000					6.496	14.173	13.700											6204-2RS	6203-2RS

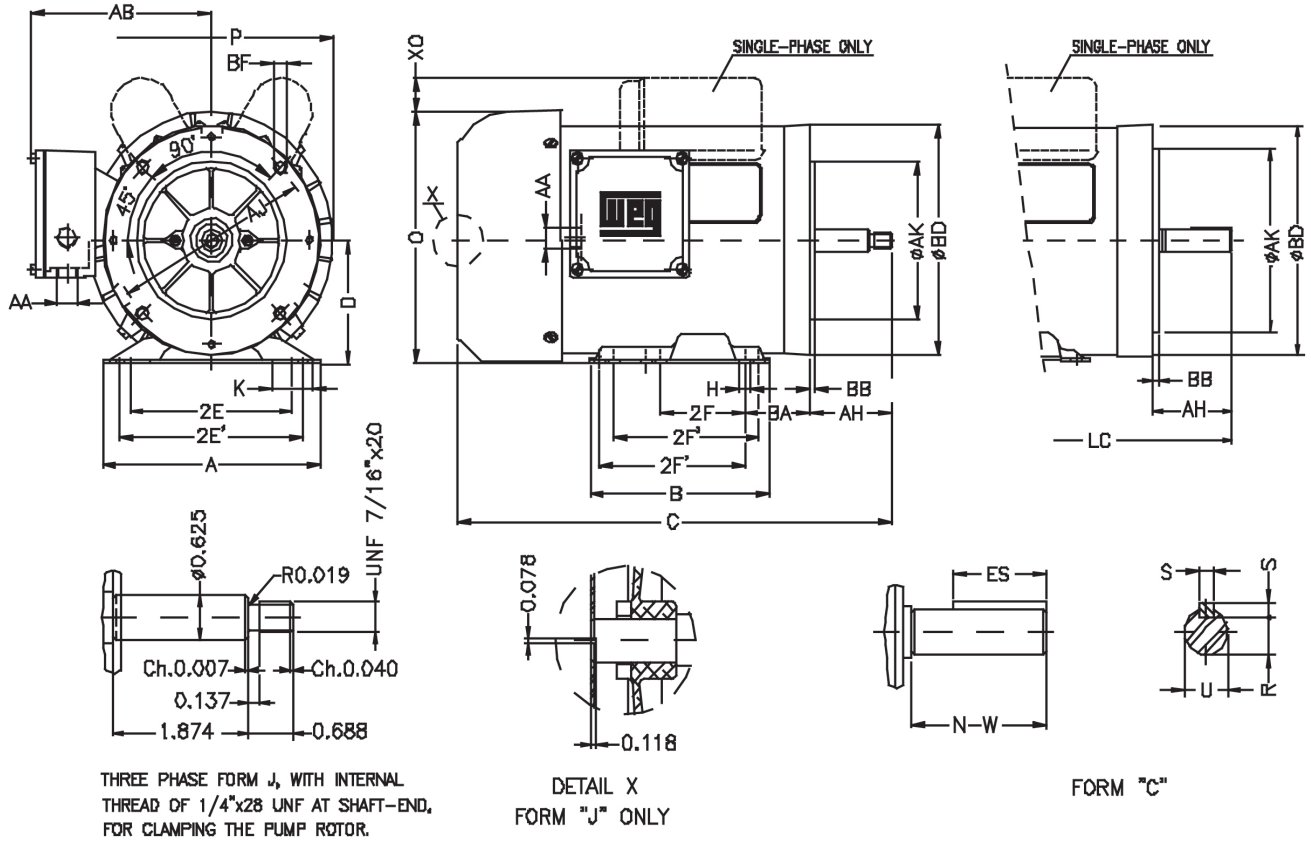
"C" FLANGE DIMENSIONS							
FLANGE	AJ	AK	BD	BF		AH	
				NUMBER	TAP SIZE	FORM C	FORM J
FC-95	3,748	3,000	5,748	4	UNC 1/4"X20	2,063	2,563
FC-149	5,874	4,500	6,496		UNC 3/8"X16		



JET PUMP MOTORS – NEMA 56 TEFC

NEMA FRAME	MOUNTING							A	B	C	LC	D	O	P	KEYWAY			SHAFT EXTENSION		AA	BEARINGS	
	2E	2E'	2F	2F'	H	K	BA								S	R	ES	N-W	U		D.E.	O.D.E.
A56									11.614	11.102												
B56	4.875		3.000		0.343	1.220	2.559	6.535	4.015	12.795	12.283	3.500	6.772	6.535	0.187	0.517	1.417	1.874	0.6250	NPT 1/2"	6203-2RS	6202-2RS
D56										13.976	13.464											
F56H										5.500	5.000										6.498	

"C" FLANGE DIMENSIONS							
FLANGE	AJ	AK	BD	BF		AH	
				NUMBER	TAP SIZE	FORM C	FORM J
FC-149	5,874	4,500	6,496	4	UNC 3/8"X16	2,063	2,563



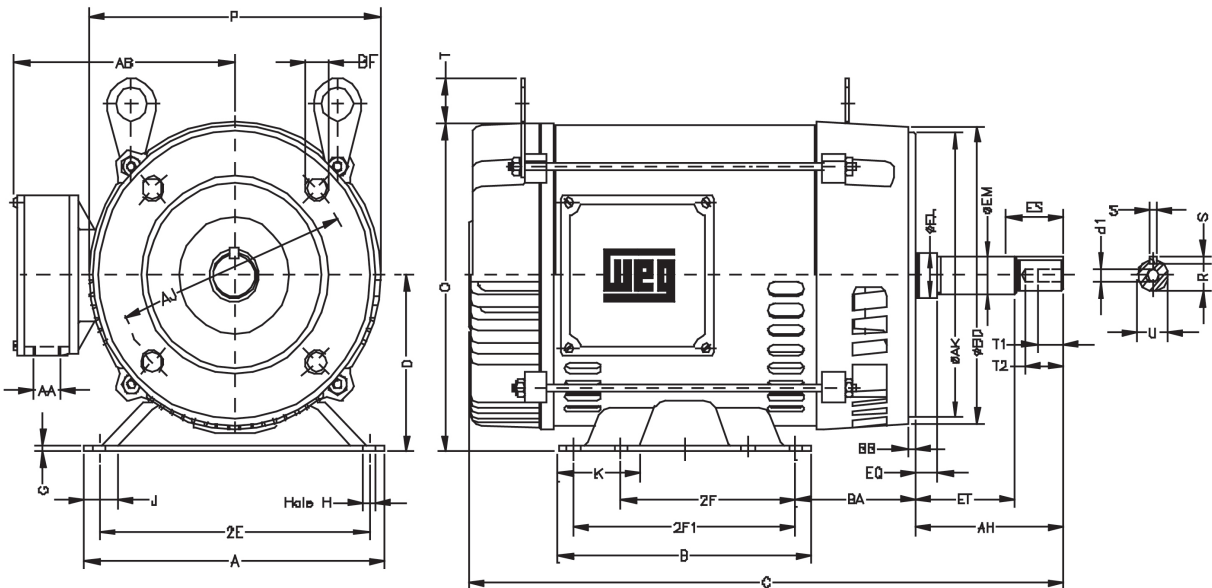
MOTOR TECHNICAL DATA

CLOSE COUPLED PUMP MOTORS – JM/JP TYPE ODP – THREE PHASE – FRAMES 182JM/JP - 213/5 JM/JP

NEMA FRAMES	MOUNTING					A	B	D	G	J	K	O	P	T	AB	AA	BEARINGS		NEMA "C" FLANGE						
	2E	2F	2F1	H	BA												D.E.	O.D.E.	AJ	AK	BB	BD	BF		
																	QTY.	TAP SIZE							
182 JM/JP	7.500	4.500	5.500	0.406	2.750	8.661	6.299	4.500	0.187	1.171	1.988	8.307	7.637	6.574	NPT 3/4"	6207-ZZ	6205-ZZ	5.875	4.500	0.157	6.496	4	UNC 3/8"X16		
184 JM/JP	8.500	5.500	7.000		3.500	9.449	7.952	5.250		1.063	2.567	9.842	8.779			1.378	6.795	6209-ZZ	6206-ZZ	7.250	8.500		0.250	8.858	UNC 1/2"X13
213/5 JM/JP																									

NEMA FRAMES	SHAFT END - TYPE JM												C
	LENGTHS			DIAMETERS			KEYWAY			THREADED HOLE			
	AH	EQ	ET	U	EM	EL	S	R	ES	D1 (UNC)	T1	T2	
182 JM	4.258	0.630	2.880	0.874	1.000	1.250	0.187	0.768	1.575	3/8"X16-2B	0.748	1.102	14.527
184 JM													15.315
213/5 JM													17.323

NEMA FRAMES	SHAFT END - TYPE JP												C
	LENGTHS			DIAMETERS			KEYWAY			THREADED HOLE			
	AH	EQ	ET	U	EM	EL	S	R	ES	D1 (UNC)	T1	T2	
182 JP	7.319	1.563	5.941	0.874	1.000	1.250	0.187	0.768	1.575	3/8"X16-2B	0.748	1.102	20.236
184 JP													21.023
213/5 JP													21.240



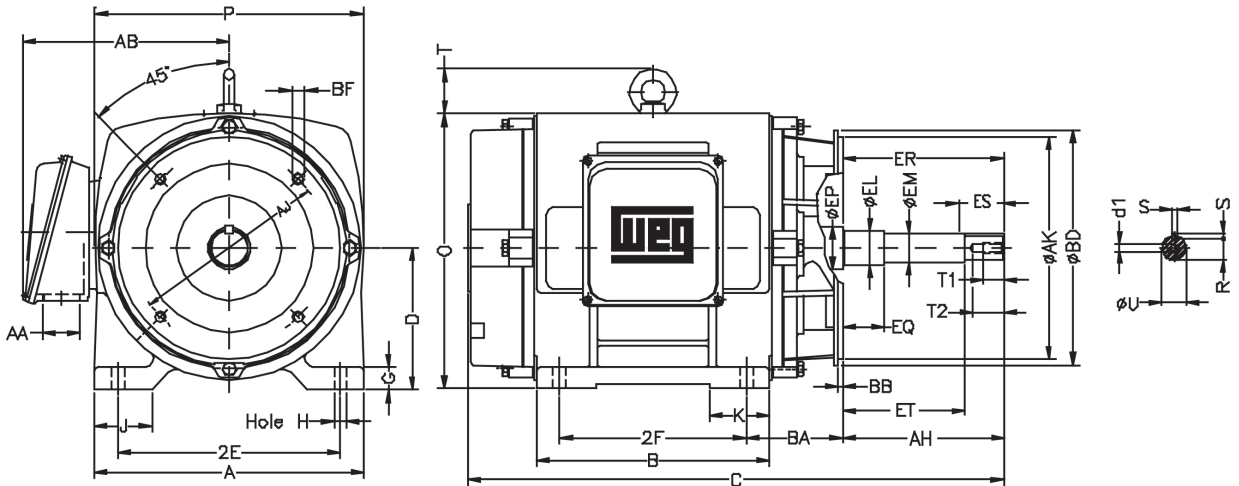
MOTOR
MECHANICAL DATA

CLOSED COUPLED PUMP MOTORS – JM/JP TYPE ODP – THREE PHASE – FRAMES 254JM/JP – 405JP

NEMA FRAMES	MOUNTING				A	B	D	G	J	K	O	P	T	AB	AA	BEARINGS		NEMA "C" FLANGE						
	2E	2F	H	BA												D.E.	O.D.E.	AJ	AK	BB	BD	BF		
																						QTY	TAP SIZE	BOLT DEPTH
254 JM/JP	10,000	8,250	0.531	4,250	12,130	10,100	6,220	0.787	2,520	2,560	12,204	11,812	10,079	NPT 1.1/2"	6309-Z-C3	6209-Z-C3	7,250	8,500	8,858	14,000	4	UNC 1/2"x13	0.551	
256 JM/JP	10,000	10,000			11,732	11,574									13,070	13,858								13,700
284 JM/JP	11,000	9,500	0.657	5,250	13,780	11,574	7,000	1,102	3,150	2,953	13,858	13,700	10,866	NPT 2"	6312-Z-C3	6212-Z-C3	11,000	12,500	0.25	13,189	8	UNC 5/8"x11	0.945	
286 JM/JP		11,000			11,000	14,566									14,307	15,118								15,551
324 JM/JP	12,500	10,500	0.750	5,875	15,160	15,400	9,000	1,480	3,150	4,140	18,425	17,874	2,795	16,378	NPT 3"	6314-C3	11,000	12,500	0.25	13,189	8	UNC 5/8"x11	0.945	
326 JM/JP	12,000	11,250			14,566	14,307																		15,118
364/5 JM/JP	14,000	11,250	0.807	6,625	17,170	15,400	9,000	1,480	3,150	4,140	18,425	17,874	2,795	16,378	NPT 3"	6314-C3	11,000	12,500	0.25	13,189	8	UNC 5/8"x11	0.945	
404/5 JP	16,000	12,244			19,950	17,700																		10,000

NEMA FRAMES	SHAFT END - TYPE JM													C	
	LENGTHS				DIAMETERS				KEYWAY			THREADED HOLE			
	AH	ER	EQ	ET	U	EM	EL	EP	S	R	ES	D1 (UNC)	T1		T2
254 JM	5,250	5,250	0.630	3,006	1,249	1,375	1,750	1,750	0.250	1,110	2,480	1/2"x13-2B	0.984	1,496	22,169
256 JM								1,750							23,902
284 JM								2,163							24,261
286 JM								2,163							25,754
324 JM								2,360							26,431
326 JM								2,360							27,927
364/5 JM	2,756	29,139													

NEMA FRAMES	SHAFT END - TYPE JP													C	
	LENGTHS				DIAMETERS				KEYWAY			THREADED HOLE			
	AH	ER	EQ	ET	U	EM	EL	EP	S	R	ES	D1 (UNC)	T1		T2
254 JP	8,130	8,130	2,382	5,886	1,249	1,375	1,750	1,170	0.250	1,110	2,480	1/2"x13-2B	0.984	1,496	25,049
256 JP								1,170							26,782
284 JP								2,163							27,141
286 JP								2,163							28,634
324 JP								2,360							29,311
326 JP								2,360							30,807
364/5 JP	1,624	1,750	2,125	2,756	0.375	1,413	32,019								
404/5 JP															35,263



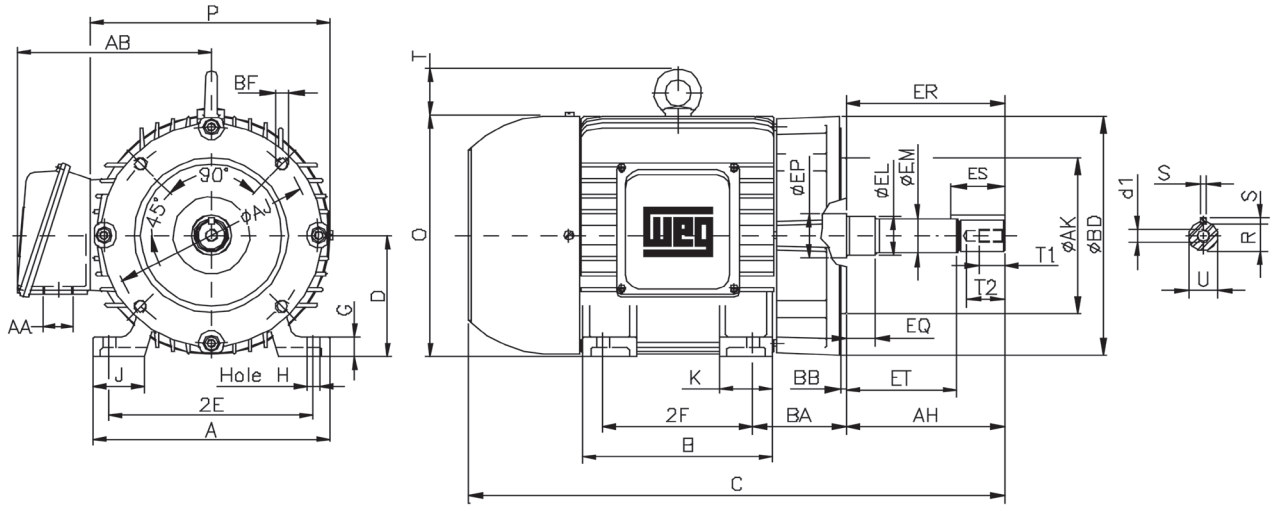
CLOSED COUPLED PUMP MOTORS – JM/JP TYPE TEFC – THREE PHASE

NEMA FRAMES	MOUNTING				A	B	D	G	J	K	O	P	T	AB	AA	BEARINGS		NEMA "C" FLANGE							
	2E	2F	H	BA												D.E.	O.D.E.	AJ	AK	BB	BD	BF			
																QTY.	TAP SIZE	BOLT DEPTH							
143 JM/JP	5,500	4,000	0,344	2,205	6,457	5,157	3,500	0,547	1,496	1,654	7,000	7,047		5,905	NPT 3/4"	6206-ZZ	6204-ZZ								
145 JM/JP		5,000				6,142																			
W182/4JM/JP	7,500	4,500	0,406	2,756	8,661	6,969	4,500	0,720	1,890	2,441	8,909	7,795	1,772	6,614	NPT 1"	6307-ZZ	6205-ZZ	5,874	4,500	0,157	6,496	4	UNC3/8" X13	0,551	
182 JM/JP		5,500				6,969											6,969								
184 JM/JP		4,500				5,945											6,969								
W213/5JM/JP	8,500	5,500	0,406	3,504	9,764	8,858	5,250	0,827	2,008	3,346	10,093	8,750	1,772	7,047	NPT 1"	6309-Z-C3	6207-ZZ	7,252	8,500	0,248	8,858	4	UNC1/2" X13	0,748	
213 JM/JP		7,000				8,858											8,858								
215 JM/JP		5,500				7,362											8,858								
W254/6JM/JP	10,000	8,268	0,531	4,252	12,126	11,732	6,250	0,817	2,520	3,465	11,841	10,670	2,087	9,272	NPT 1.1/2"	6309-C3	6209-Z-C3	11,000	12,500	0,248	8,858	4	UNC3/8" X11	0,945	
254 JM/JP		10,000				11,732											11,732								
256 JM/JP		8,252				11,732											11,732								
284 JM/JP	11,000	9,500	0,657	4,764	13,780	11,575	7,000	1,016	3,150	2,953	14,067	14,094	2,441	11,496	NPT 2"	6311-C3	6211-C3	11,000	12,500	0,248	13,593	4	UNC3/8" X11	0,945	
286 JM/JP		11,000				13,071											13,071								
324 JM/JP		10,500				14,567											14,567								
326 JM/JP	12,500	12,000	0,748	5,866	17,165	15,394	9,000	1,480	3,150	4,134	18,502	18,740	2,795	16,380	NPT 3"	6312-C3	6212-C3	11,000	12,500	0,248	15,562	8	UNC3/8" X11	0,945	
364 JM/JP	11,260	14,567															14,567								
365 JM/JP	12,244	14,567															14,567								
404 JP	15,984	12,244	0,807	6,614	19,921	17,677	10,000	1,811	3,937	5,433	19,496	18,740	2,795	16,380	NPT 3"	6314-C3	6214-C3	11,000	12,500	0,248	15,562	8	UNC3/8" X11	0,945	
405 JP	13,740	17,677															17,677								

NEMA FRAMES	SHAFT END - TYPE JM														C	
	LENGTHS				DIAMETERS				KEYWAY			THREADED HOLE				JM
	AH	ER	EQ	ET	U	EM	EL	EP	S	R	ES	D1 (UNC)	T1	T2		
143 JM	4,258	4,258	0,630	2,880	0,874	1,000	1,156	1,179	0,187	0,767	1,575	3/8"X16-2B	0,748	1,102	14,304	
145 JM															15,304	
W182/4 JM															17,125	
182 JM															15,996	
184 JM															17,020	
W213/5 JM															20,787	
213 JM															18,678	
215 JM															20,174	
W254/6 JM															26,023	
254 JM															24,370	
256 JM	26,102															
284 JM	27,165															
286 JM	5,250	5,250	0,630	3,006	1,249	1,375	1,750	2,163	0,250	1,110	2,480	1/2"X13-2B	0,984	1,496	28,700	
324 JM	28,149															
326 JM	29,645															
364 JM	27,562															
365 JM	33,031															

NEMA FRAMES	SHAFT END - TYPE JP														C	
	LENGTHS				DIAMETERS				KEYWAY			THREADED HOLE				JP
	AH	ER	EQ	ET	U	EM	EL	EP	S	R	ES	D1 (UNC)	T1	T2		
143 JP	7,319	7,319	1,563	5,941	0,874	1,000	1,156	1,179	0,187	0,768	1,575	3/8"X16-2B	0,748	1,102	17,365	
145 JP															18,365	
W182/4 JP															19,685	
182 JP															19,057	
184 JP															20,395	
W213/5 JP															24,645	
213 JP															22,550	
215 JP															24,046	
W254/6 JP															28,900	
254 JP															26,964	
256 JP	28,736															
284 JP	30,079															
286 JP	31,575															
324 JP	32,525															
326 JP	34,021															
364 JP	35,916															
365 JP	38,911															

CLOSED COUPLED PUMP MOTORS – JM/JP TYPE
TEFC – THREE PHASE



MOTOR
MECHANICAL DATA