

Instruction Manual

Auto-learning Code Wireless Door Chime

Model No.: QH-858AK

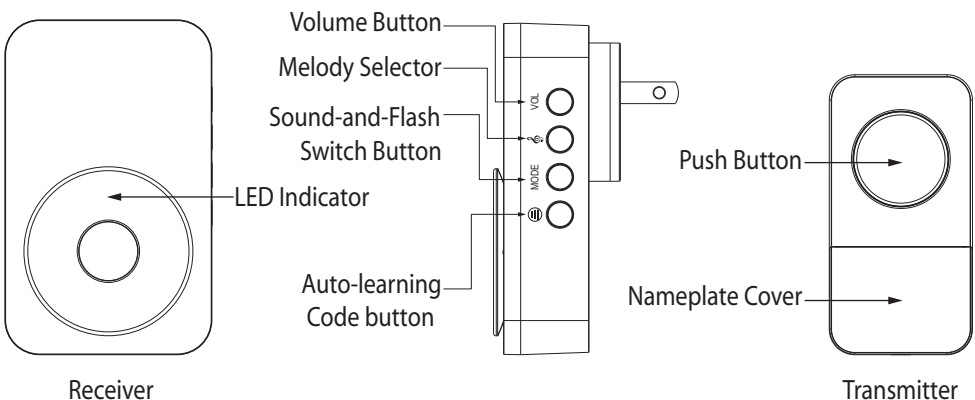
Accessories List:

- 1 x Receiver
- 1 x User Manual
- 1 x 3 volts CR2032 battery for transmitter
- 1 x Transmitter
- 1 x Double-sided adhesive

Technical Specification:

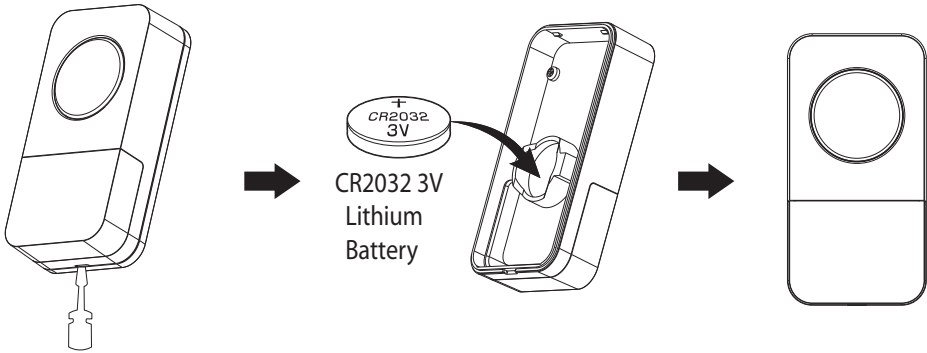
- Frequency: 433.92MHz+100KHz
- Modulation Type: ASK
- Ring Volume: > 85dB(within 0.5m)
- Channel space: 1 million sets of auto-learning codes
- Receiver bandwidth: ± 90 KHz
- Reception Sensitivity: > -105dBm
- Transmitter Power: < 10mW
- Power consumption(Receiver): standby: < 0.3W
- Power consumption(Transmitter): standby: < 5uA working: < 10mA
- Power Supply(Receiver): AC110-240V
- Power Supply(Transmitter): DC 3V (1x CR2032)
- Operating Range: > 150m (in the open air)

Names for Parts:



Battery Installation (Transmitter):

- Open the Transmitter by pushing in the interface located at the bottom with a flat screw driver.
- Place the CR2032 battery (included).

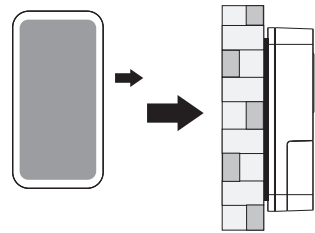


Important Note:

- If you do not plan to use the device for a long time, such as at a vacation, please remove the battery from Transmitter, then put them in a safe place.
- Improperly using a battery may cause it to leak and damage nearby items, and can create the risk of fire and personal injury. Batteries should not be left in an area where the children can reach them as they may pose a choking hazard.
- Recycle used batteries following environmental protection practices.

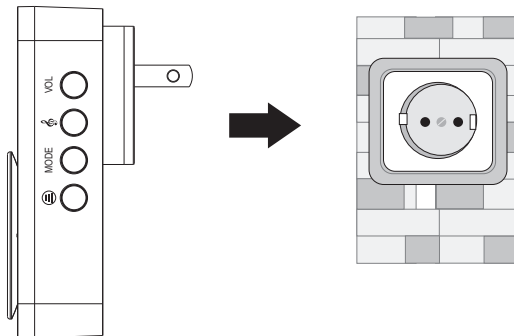
Transmitter Installation:

- Stick the Transmitter on the wall or the door with double-sided adhesive tape.



Receiver Installation:

- Plug the Receiver into any socket of AC110~240V power.



Import note:

Please test the operating rang between the Receiver and Transmitter. The operating range is 150M (in the open air) , but this distance may be less due to walls or obstructions such as Metal or UVPC door frames can also reduce the operating range.

Functions Instruction

1. Plug the Receiver into any socket of AC 110~240V power , then open the transmitter and place the battery as shown in the diagram.
2. Press the auto-learning code button on the side of the Receiver and hold for 2 or 3 seconds, A “beep” sound comes out and the LED indication will light. Then press the push button on the Transmitter unit once. The Receiver will sound to indicate that new operation code is registered and memorized. Thus the Transmitter works successfully with the Receiver. Maximum 60 codes can be matched and saved in the receiver within 10 seconds. Press the button once can only match one transmitter. If there is no code matched and saved within the 10s, the receiver will automatically exit and there will be two “beeps”.
3. If you want to add Receivers, you just need to plug the Receiver into any socket of AC 110~240V power. Then operate in the same way as step 2.
4. There is a melody selector located on the side of the Receiver (see diagram).
Selectable Tone: Total 36 melodies available.
Note: You must select the desired ring first, then match the transmitter. You could use different music to distinguish visitors in different position. If you want to change ring tones, you must delete all the information saved in the receiver and reset.
Press the melody selector button and hold for 5 seconds, you can delete all the information within the receiver. At the same time, the LED indicator light will light.
5. There is also a volume button on the side of the Receiver (see diagram). Press it to adjust the sound volume, total six levels.
6. There is a Sound and Flash Switch Button on the side of the receiver. Press this button for three options, working only with sound, only LED flash, sound and LED flash:
 - A. If a “beep” sound comes out and the LED indicator does not light. the Receiver will work only with sound.
 - B. If a “beep” sound comes out and the LED indicator light, the Receiver will work with sound and LED flash.
 - C. If the LED indicator light without “beep” sound, the Receiver will work only with LED flash.

Federal Communication Commission Interference Statement

This equipment has been tested and found to comply with the limits for a Class B digital device, pursuant to Part 15 of the FCC Rules. These limits are designed to provide reasonable protection against harmful interference in a residential installation. This equipment generates, uses, and can radiate radio frequency energy and, if not installed and used in accordance with the instructions, may cause harmful interference to radio communications. However, there is no guarantee that interference will not occur in a particular installation. If this equipment does cause harmful interference to radio or television reception, which can be determined by turning the equipment off and on, the user is encouraged to try to correct the interference by one or more of the following measures:

- Reorient or relocate the receiving antenna.
- Increase the separation between the equipment and receiver.
- Connect the equipment into an outlet on a circuit different from that to which the receiver is connected.
- Consult the dealer or an experienced radio/TV technician for help.

FCC Caution:

This device complies with Part 15 of the FCC Rules. Operation is subject to the following two conditions: (1) This device may not cause harmful interference, and (2) this device must accept any interference received, including interference that may cause undesired operation.

Any changes or modifications not expressly approved by the party responsible for compliance could void the user's authority to operate this equipment.

Notes:

If the Receiver sounds for no reason during the digital code setting, it is indicated that it has been interfered by other similar Doorbell nearby, reset the auto-learning code as per point 2 above.

IMPORTANT: PLEASE KEEP THESE INSTRUCTIONS FOR FUTURE REFERENCE WHEN REPLACING BATTERIES