

USER MANUAL

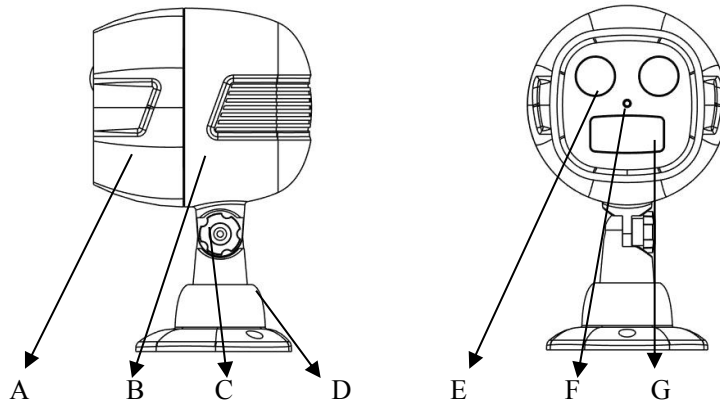
SECURITY SENSOR LIGHT

MODEL NO.: QL-302S

It is very important to operate this product according to the following instructions. Failure to do so may render your guarantee void.

CONTENTS

● 1 x Sensor Light ● 6 x Screws ● 1x Remote control ● 3 x Plastic screw ● 1x User Manual



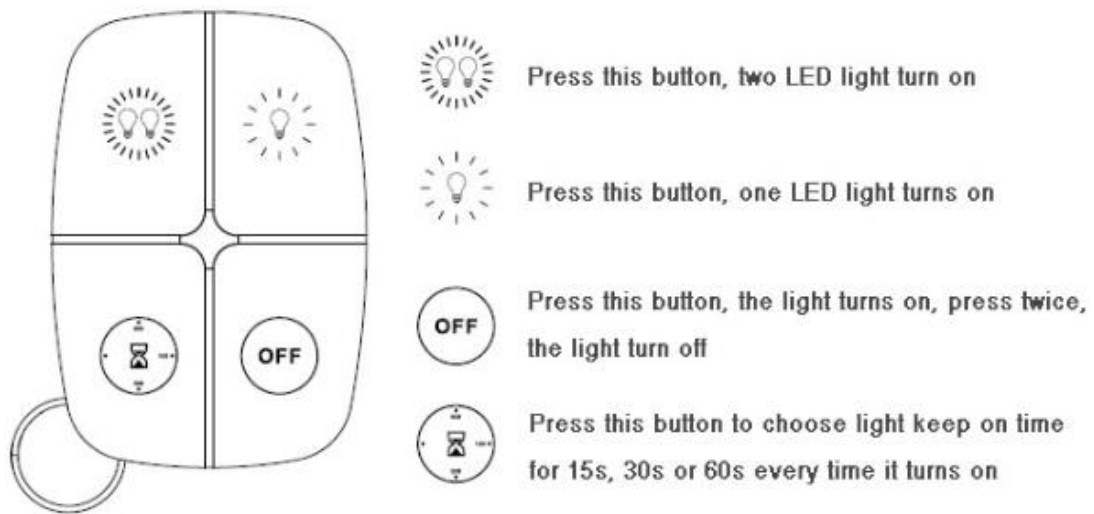
A, Main Light(Front Part)
B, Main Light(Back Part)
C, Screw
D, Base

E, LED Light
F, Code matching button
G, PIR Sensor area

SPECIFICATIONS:

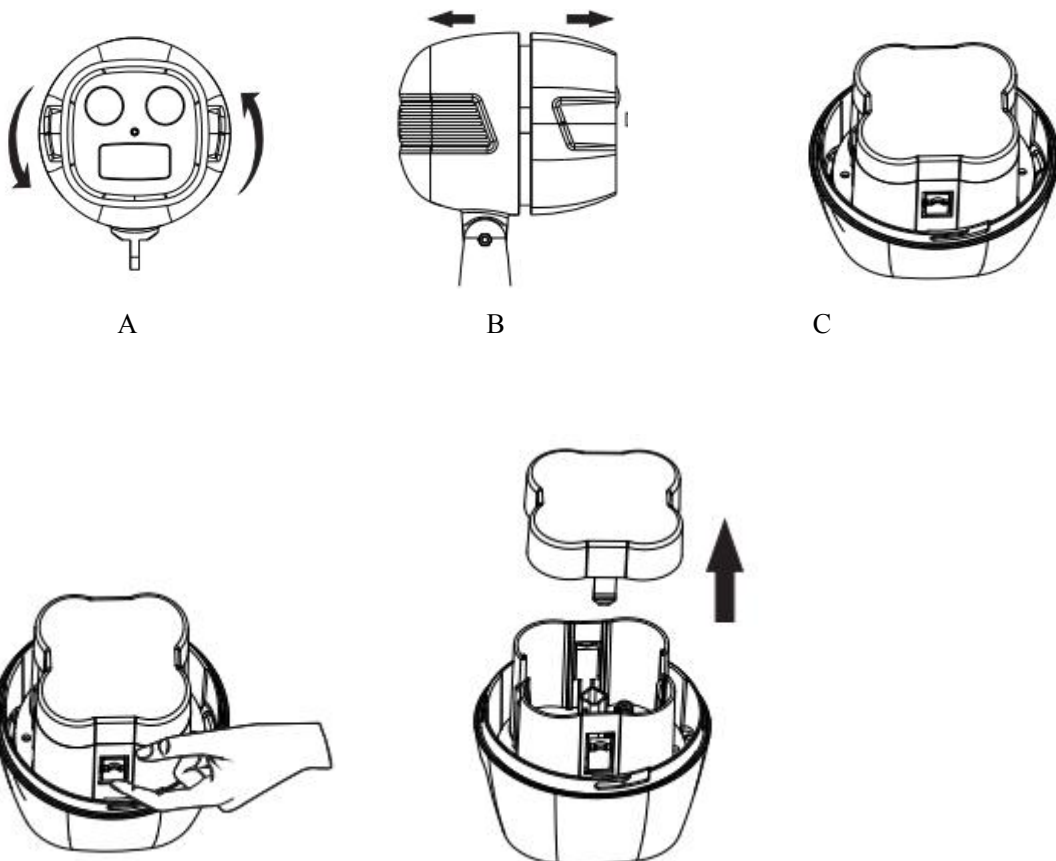
- Wireless Frequency: 433.92MHz+100KHz
- Power Voltage: DC 6V
- Auto Shut off(seconds): 15S, 30S, 60S Selectable
- Battery: 4 × D Size 1.5V (Not included)
- PIR Detection Distance: 5-10M
- PIR Sensor Angle: 120°
- Brightness(lumens): 200 lumens
- Light Projecting Angle: 90°
- Range Adjustable Angle: 150°
- Coverage area: 380 sq.ft / 36 sq.meters
- IP Class: IP65
- Working temperature: -20°C(-4°F) to 50°C(122°F)

Remote control function



Quick Setup

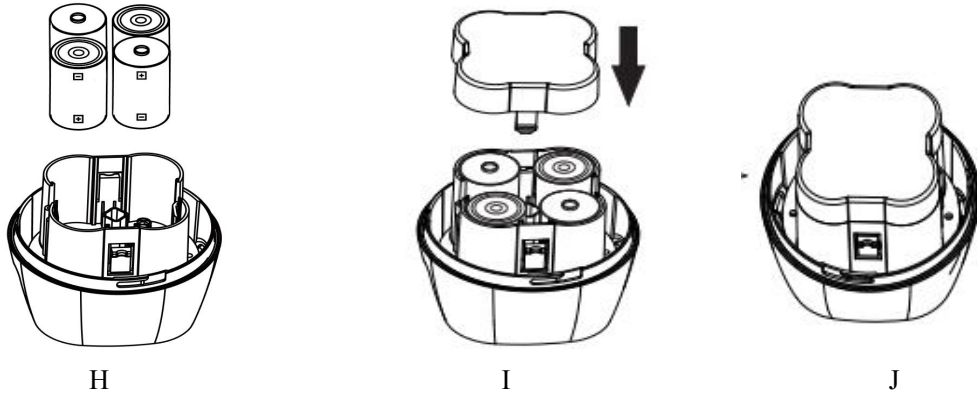
1. Remove all the components from packaging and saving packaging to store the sensor light when not in use. Please make sure that there are 1 x Security Sensor Light, 3 x Screws, 3 x Plastic Plugs, 1x User Manual in the packaging.
2. **Install Batteries.**
 - 1). Take apart the front and back main light at anti-clockwise direction, pull out of the front part, and open the battery cover. (Icon A, B, C,D,E)



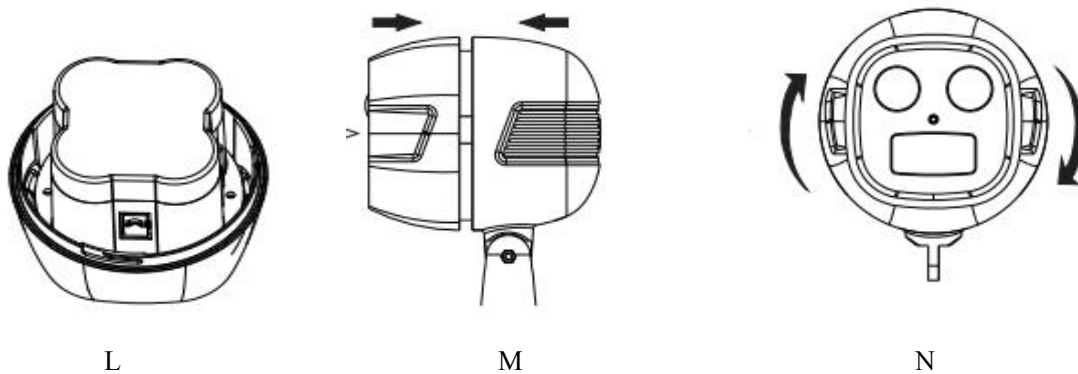
D

E

2). Put 4 pcs D size batteries in the jar with the right positive and negative electrode(Pay attention to the “+”, “-” marks). Lid and fasten the battery cover. (Icon H,I,J)



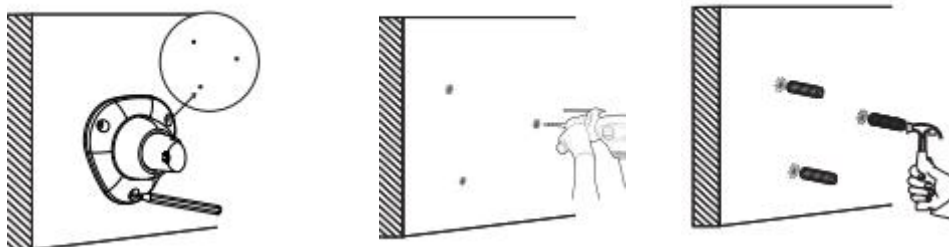
3) Put the front part into the back cover, and screw to fasten the light at clockwise direction.(Icon L,M,N)



ATTENTION: Please replace new D size batteries when light goes too weak. And do not mix new and used batteries!

3. Install the Sensor Light(Fix on the wall):

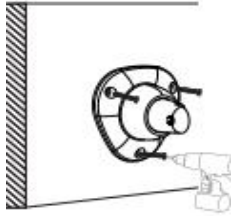
1). Find a location of wall or a place to install. Mark the three screw-holes places by pencil(Icon O,P). Use electric drill to punch holes (Icon Q). Use a hammer to knock the 3 plastic plugs into the holes (Icon R).



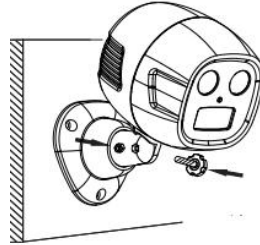
O

P

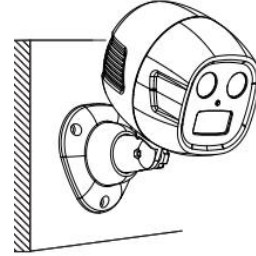
Q



R



S



T

- 2). Fix the base on the wall by tighten the screws ,take and hold the main part, screw at clockwise direction and fasten on the base, and finished light installation (Icon S,T)

Note:Pay attention to the Sensor Angle when installing the main unit.

Time Selection

It is preset to be 15s lighting on lasting,

And users can choose 30s or 1 min or 15s lighting on lasting by pressing the time control button.

The 1st time pressing, the PIR Sensor fast flash 2 times, it is set to be 30s.

The 2nd time pressing, the PIR Sensor fast flash 3 times, it is set to be 1 minutes.

The 3rd time pressing, the PIR Sensor fast flash 1 times, it is set to be 15s.

Built-in Light Sensor

The sensor light only work at dark(<25 Lumen).

Note: The darker the area the light being used in, the brighter the projection. Try to stay away from areas with bright illuminating lights.

IMPORTANT SAFETY INSTRUCTIONS

1. No recommended for set-up or installation by children.
2. Close supervision is necessary when this furnishing is used by, or near children, invalids, or disabled persons.
3. Use this furnishing only for its intended use as described in these instructions. Do not use attachments not recommended by the manufacturer.
3. Do not operate where aerosol (spray) products are being used or where oxygen is being administered.
5. The furnishing has not been evaluated for flammability or cigarette ignition resistance!
6. Do not shake.
7. **ONLY ALLOW USE BY RESPONSIBLE PERSONS**

This is not a toy. Please put it away from children and babies.

8. This product was designed for indoor and outdoor use.

IMPORTANT

Damages caused by the disregard of this user manual are not subject to warranty. The dealer will not accept liability for any resulting defects or problems. Keep away from heaters and other heating sources! Please note that damages caused by manual modifications on the device or unauthorized operation by unqualified persons are subject to warranty. Keep young children and amateurs away from the device!

PRECAUTIONS

This holiday projector light should be used at allowed working temperature: -20°C(-4°F) to 50°C(122°F)

FCC Statement

This equipment has been tested and found to comply with the limits for a Class B digital device pursuant to Part 15 of the FCC Rules. These limits are designed to provide reasonable protection against harmful interference in a residential installation. This equipment generates uses and can radiate radio frequency energy and, if not installed and used in accordance with the instructions, may cause harmful interference to radio communications. However, there is no guarantee that interference will not occur in a particular installation. If this equipment does cause harmful interference to radio or television reception, which can be determined by turning the equipment off and on, the user is encouraged to try to correct the interference by one or more of the following measures:

- Reorient or relocate the receiving antenna.
- Increase the separation between the equipment and receiver.
- Connect the equipment into an outlet on a circuit different from that to which the receiver is connected.
- Consult the dealer or an experienced radio/TV technician for help.

This device complies with part 15 of the FCC Rules. Operation is subject to the following two conditions:

(1) This device may not cause harmful interference, and (2) this device must accept any interference received, including interference that may cause undesired operation.

Changes or modifications not expressly approved by the party responsible for compliance could void the user's authority to operate the equipment.

CAUTION

**EYE INJURY HAZARD -- DIRECT AND REFLECTED BEAM
LED LIGHT RADIATION – DO NOT STARE INTO BEAM OR
VIEW DIRECT WITH OPTICAL INSTRUMENTS!**

Maintenance and Cleaning

- Maintenance and cleaning shall only be done to the product surface. Unplug this product from the power socket before cleaning.
- Do not wet any electric parts of this product. Please use a dry, soft cloth instead of sharp tools for cleaning.
- When not in use, store neatly in a cool, dry location protected from sunlight.
- Please keep away from heaters and other heating sources.

WEEE Directive & Product Disposal

At the end of its serviceable life, this product should not be treated as household or general waste. It should be handed over to the applicable collection point for the recycling of electrical and electronic equipment.

