



# Hisense

Tablet POS

HM518 USER MANUAL

CE0700  

Qingdao Hisense Intelligent Commercial System Co., Ltd.

## **Part 1. System Introduction**

01. Safety Notices Before Installation or Use
02. System Introduction
03. General Specifications
04. Front View
05. Back View
06. Dimension
07. I/O View

## **Part 2. System Installation**

01. Checking the Location for Installation
02. Before Connecting Peripherals
03. Connecting DC power supply cable
04. Package

## **Part 3. Product Layout**

01. Motherboard layout
02. Motherboard Module&Function
03. Product layout
04. Product Module&Function

# Part 1. System Introduction

## 01. Safety Notices Before Installation or Use

### Caution:

- ☆ It is required grounded well and the supply voltage shall be stable, and you must confirm that the voltage of the outlet provides shall be in line with the voltage marked on the lable of the unit.
- ☆ Be sure not to sprinkle any liquid or fall any object into the unit.
- ☆ Be sure not to keep heavy, strenuous movement, shake & heavy strike away from the POS.
- ☆ Do not switch on or off the host frequently, because it is easy to result in damage on the machine.
- ☆ Be sure not to unplug or plug in any live part or external device when they are in energized state, and the connecting cables of the POS between parts shall be connected securely.
- ☆ Be sure neither to lengthen cable nor to replace parts at your will, if you have any demand, please contact with the reseller.
- ☆ The unit shall be used under dry, ventilated & clean environment away from sunlight.
- ☆ In case of safety fault, such as peculiar smell, abnormal sound, leakage and other faults, you must switch off the power supply at once and then contact with reseller.
- ☆ The RJ11 port at the back of the host is connected with the cash drawer, as it is not a communication port, users shall not use the port for dial-up networking.
- ☆ The product is a Level B one, it may cause radio interference in living environment. In such case, users may need to take practical & feasible measures against the interference.
- ☆ When the POS is not in use, you shall switch off power supply.
- ☆ Static may damage to the integrated circuit in the host machine.
- ☆ Please use original charger, Otherwise, It may result to danger. When you use a charger for charging, adapter shall be installed near the equipment and shall be easily accessible.

Description	Manufacturer	Model	Input	Output
Switching Power Adapter	FSP GROUP INC.	FSP040-RHAN2	AC 100~240V	DC 12V/3.33A
Docking Station	Qingdao Hisense Intelligent Commercial System Co.,Ltd	HM518	DC 12V/3.33A	DC 12V/3.33A

- ☆ This product conforms with standard EN50332. Use careful with the earphone maybe possible excessive sound pressure from earphones and headphones can cause hearing loss.
- ☆ The product shall only be connected to a USB interface of version USB2.0, this interface can provide maximum current of 500mA.
- ☆ Extreme Operating Temperature : 40°C
- ☆ The device complies with RF specifications when the device used at 10mm from your body.
- ☆ Declaration Of Conformity Hereby, This Tablet POS is in compliance with the essential requirements and other relevant provisions of directive 1995/5/EC.
- ☆ Customer can not modify system software, including "root" or any other crack methods. These methods are not permitted. If you do this, you will lose our Guarentee.

CAUTION: RISK OF EXPLOSION IF BATTERY IS REPLACED BY AN INCORRECT TYPE.  
DISPOSE OF USED BATTERIES ACCORDING TO THE INSTRUCTIONS.



### **Warning:**

1. For continued protection against risk of electrostatic, it can result in system or POS terminal damaged
  2. Danger of explosion if battery is incorrectly replaced. Replace only with the same or equivalent type as recommended by the manufacturer, Discard used batteries according to the manufacturer's instructions.
  3. Do not remove the peripheral device before turn off the system.
- Turn on the system after turning on peripheral device, and turn off peripheral device after turn off the system

### **FCC Warning:**

This equipment has been tested and found to comply with the limits for a Class B digital device, pursuant to part 15 of the FCC Rules. These limits are designed to provide reasonable protection against harmful interference in a residential installation. This equipment generates, uses and can radiate radio frequency energy and, if not installed and used in accordance with the instructions, may cause harmful interference to radio communications. However, there is no guarantee that interference will not occur in a particular installation. If this equipment does cause harmful interference to radio or television reception, which can be determined by turning the equipment off and on, the user is encouraged to try to correct the interference by one or more of the following measures:

- Reorient or relocate the receiving antenna.
- Increase the separation between the equipment and receiver.
- Connect the equipment into an outlet on a circuit different from that to which the receiver is connected.
- Consult the dealer or an experienced radio/TV technician for help.

Caution: Any changes or modifications to this device not explicitly approved by manufacturer could void your authority to operate this equipment.

This device complies with part 15 of the FCC Rules. Operation is subject to the following two conditions: (1) This device may not cause harmful interference, and (2) this device must accept any interference received, including interference that may cause undesired operation.

The manufacturer has the right to modify contents of the instruction book but without prior announcements!

## 02. System Introduction

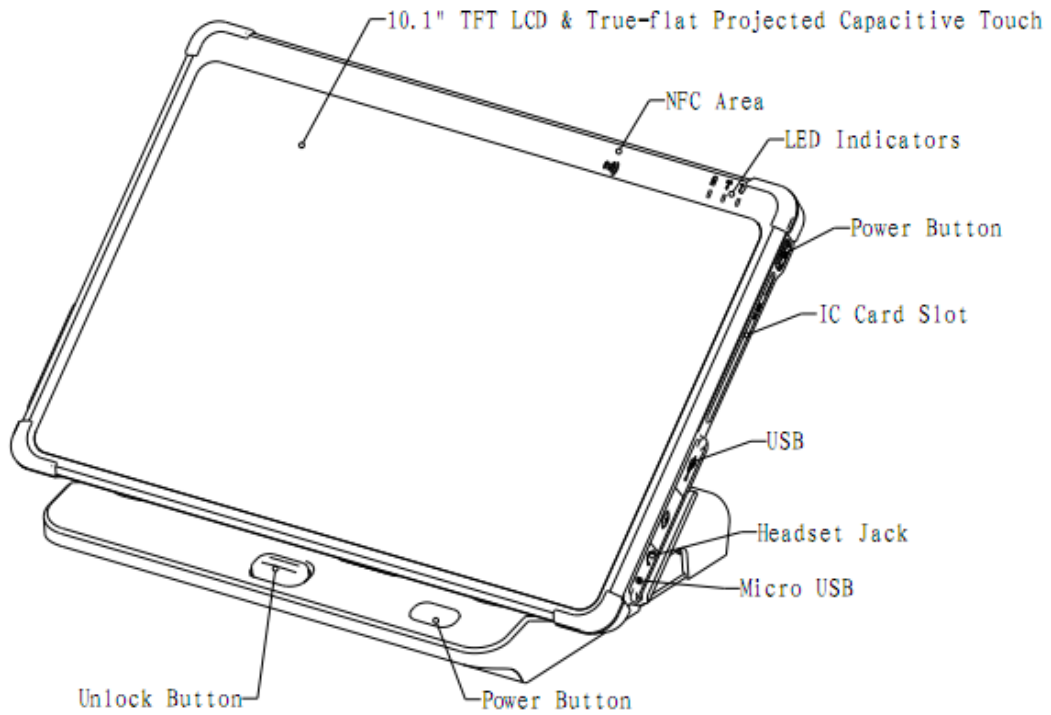
The exterior design and specifications of product can be changed without prior notice in order to improve quality.



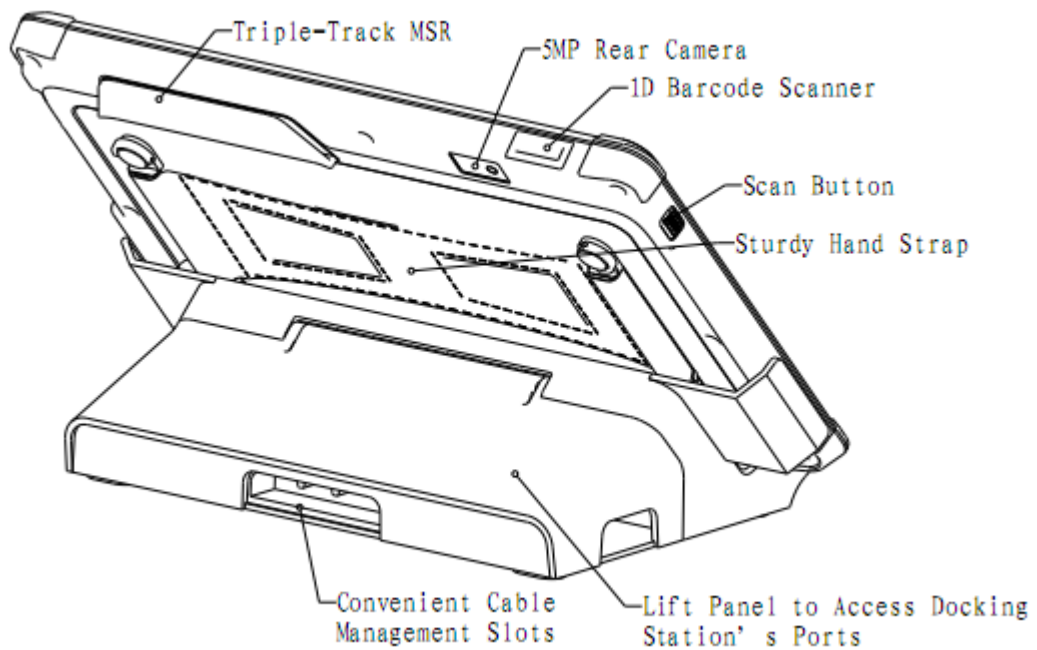
### 03. General Specifications

<b>Item</b>		<b>Description</b>	
CPU		Intel Celeron, N2807	
Memory		2G Byte RAM	
Storage		32GByte eMMC	
System		Win8.1 Pro/Embedded/with Bing	
Operating Temperature		0°C ~ +40°C	
Operating Humidity		10% ~ 90%	
Display	TFT LCD	10.1"TFT LCD, 1280*800	
	Brightness	300cd/m <sup>2</sup>	
	Touch Screen	Multi-touch capacitive touch panel(10 points)	
Port	Tablet	MSR	3 Tracks
		Scanner	1x1D Scanner
		Camera	Rear:5MP, AF focus
		NFC	Supports MIFARE one and MIFARE CPU card
		IC Card Reader	1 xIC Card Reader
		Micro SD	1 x Micro SD slot
		SIM Card	1x SIM slot (WCDMA)
		Audio	Built-in 1W speaker ; Microphone; 1 x 3.5-mm stereo headphone
		USB	1x USB2.0 Host
		WIFI	Wi-Fi® 802.11a/b/g/n/ac 2.4GHz/5GHz
		BT	BT 4.1
	DC input	1 x DC jack (12V)	
	Docking station	VGA	1 * VGA reserved for 2nd display
		USB	3x USB2.0 Host
		LAN	1 * RJ-45 (100Mbps LAN)
		Cash Drawer	1 * RJ-11 12V/24V for cash drawer(24V default)
		Serial Ports	2* RS-232 COM, COM1(RX/TX/GND),COM2(RX/TX/GND/DTR/DSR)
	DC input	1 x DC jack (12V)	
	Power adapter		AC 100-240V / DC 12V 3.33A
Battery		4000mAh 7.4V	
Dimensions	Tablet (mm)	276 x 193 x 23.8	
	Tablet Weight (kg)	1.0	
	Docking station (mm)	280 x 170.8 x 72.3	
	Docking station Weight(kg)	0.8	

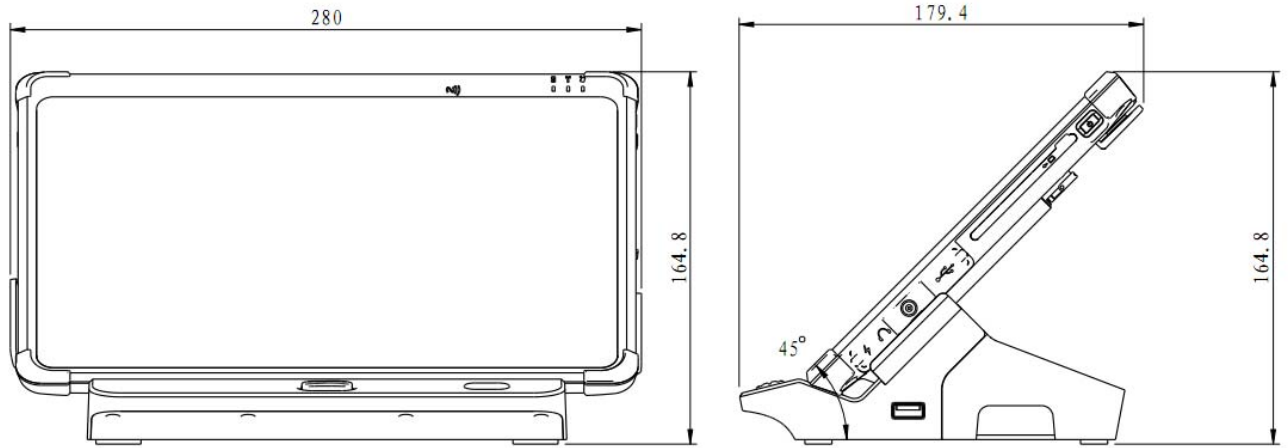
## 04. Front View



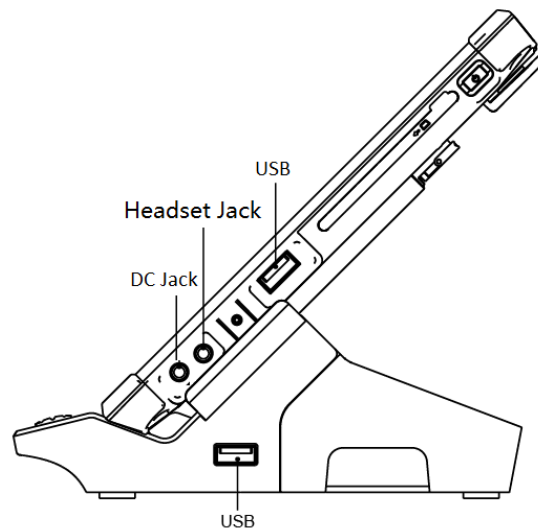
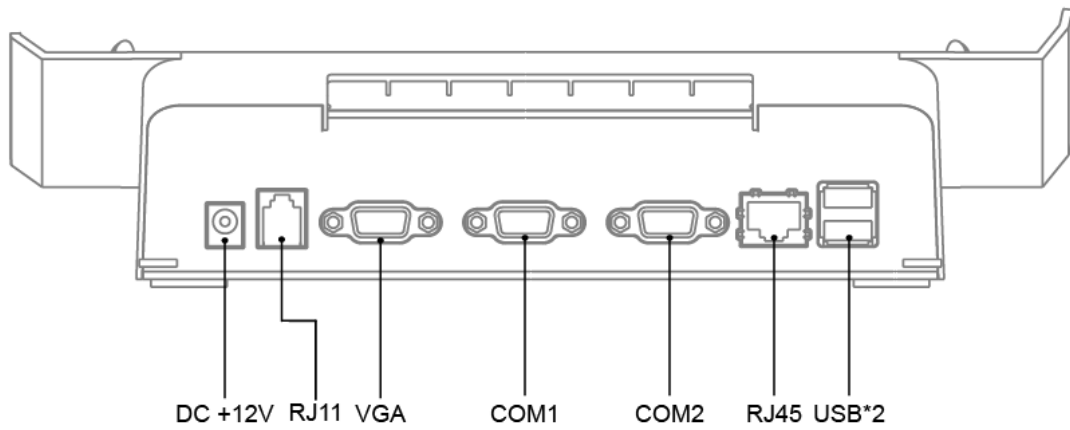
## 05. Back View



## 06. Dimension



## 07. I/O View



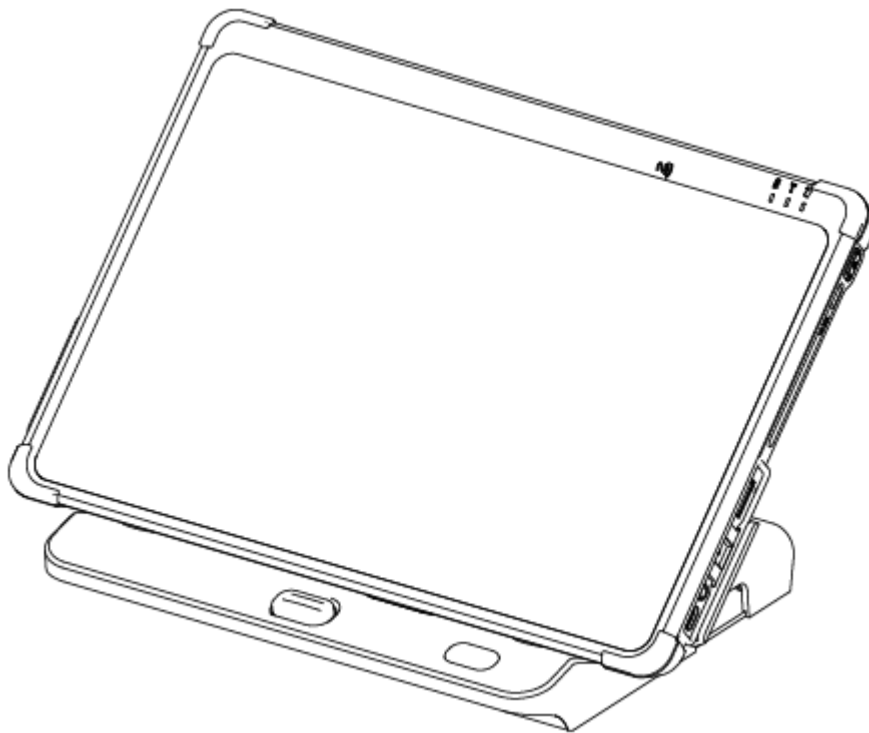


## Part 2. System Installation

### 01. Checking the Location for Installation

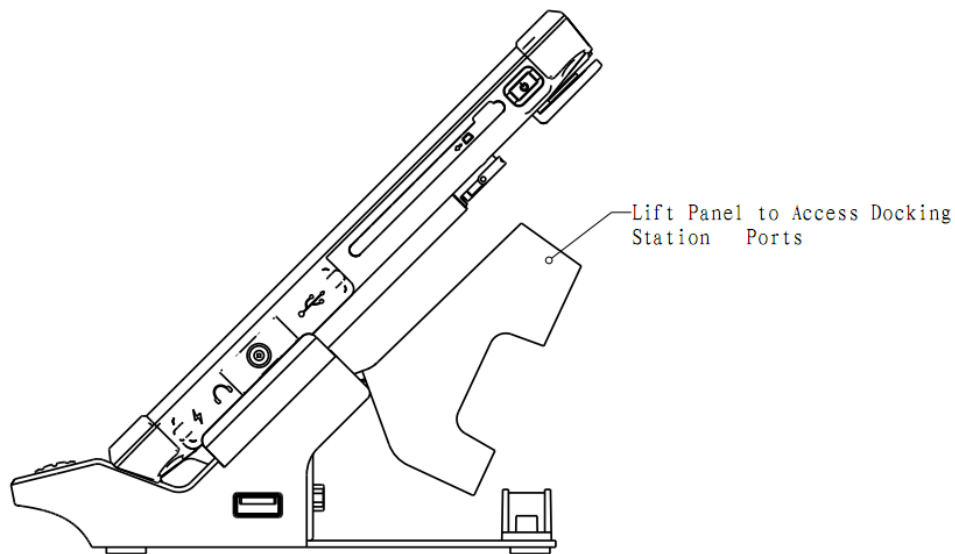
It is important to choose a safe and secure place to install the terminal.

- Choose a desk or table big and strong enough to support the weight of the system and peripherals.
- Choose a flat, hard surface. Carpeted area can generate static electricity that can alter memory or damage system components.
- Make sure a system installed in a well-ventilated place and keep the space free around the system.
- Choose appropriate environmental conditions such as cool and dry places. Avoid humid and dusty places. Also avoid direct sunlight, rapidly changing temperatures, or placing the system near heat sources.
- Select the appropriate voltage. Connect all the equipment into an isolated outlet to prevent static electricity and short circuit.
- where sufficient power outlets are available for printers and other peripheral devices.
- Do not install near electromagnetic and electrical devices, such as phones and electric motors, that can cause system damage.
- The socket-outlet shall be installed near the equipment and shall be easily accessible.



## 02. Before Connecting Peripherals

To connect peripherals first remove the 'Interface cover', which is in the bottom of the system.



## 03. Connecting DC power supply cable

**Docking station** : Connect the DC power cable to the DC power input connector at the bottom of the system. (Adapter 100V - 240V free voltage of the system can be used.)



- Only manufacturer adapter should be used for this system.
- Manufacturer wont take responsibility for damages caused by using products which not made by manufacturer.





**Tablet :** when using 12V adapter for tablet charging, Connect the DC power input cable to the DC power input Port at the side of the tablet.



## 04. Package

### a. Docking station Package:

AC adapter, Power Cord, Docking station



### b. Tablet Package:

AC adapter, Power Cord, Tablet



## Part 3. Product Layout

### 01. Motherboard Layout

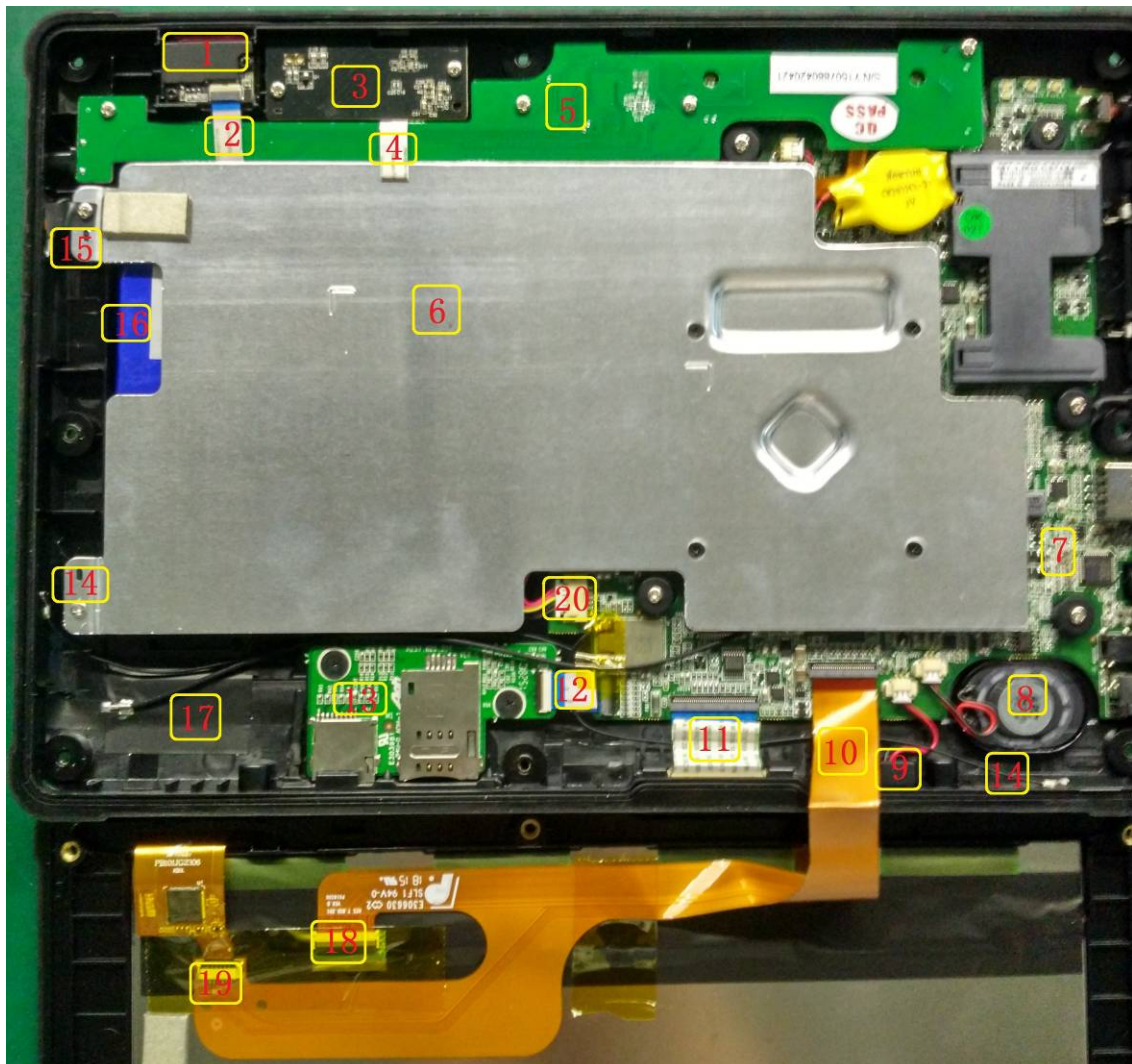


### 02. Motherboard Modules and Functions

Num	Module	Function Description
1	Li-battery	Li-battery connector
2	WIFI+BT	Wifi+BT module
3	WIFI+BT	Wifi+BT antenna connector
4	micro SD+SIM	Micro SD+SIM board connector
5	Pogo	Pogo connector
6	LCD+TP	LCD+TP connector

7	MIC	MIC connector
8	Speaker	Speaker connector
9	DC Jack	DC Jack connector
10	Audio	3.5mm stereo headphone
11	USB	USB2.0 connector
12	IC	IC card acceptor
13	Button	Power button
14	LED	LED Indicators
15	BIOS-battery connector	BIOS-battery connector
16	GPS	GPS antenna connector
17	3G	3G antenna connector
18	3G	3G module
19	Camera/card reader	Camera/Card reader board connector
20	GPS	GPS module

### 03. Product Layout



## 02. Modules & Functions

Num	Module	Function Description
1	Scanner	1D Barcode Scanner
2	FFC	Scanner FFC cable
3	PCB	Camera Board PCB
4	FFC	Camera Board FFC cable
5	PCB	MSR & RFID Board PCB
6	Aluminum plate	Aluminum Thermal Spreader
7	PCB	Mother Board PCB
8	Speaker	8 Ohm, 1 Watt Speaker
9	MIC	MIC
10	FPC	LCD Screen and TP FPC cable
11	FFC	Pogo FFC cable
12	FFC	micro-SD/3G FFC cable
13	PCB	micro-SD/3G Board PCB
14	Antenna	Wifi+BT antenna
15	Antenna	3G antenna
16	Li-battery	4000mAh 7.4V Li-battery
17	Antenna	GPS antenna (optional)
18	LCD	LCD Connector
19	Touch Panel	Touch Panel Connector
20	FFC	Li-battery FFC cable