



Mobile Radio Safety Usage Training

Qixiang Electron Science&Technology Co., Ltd.
R&D Repaired Department

2015. 10. 20

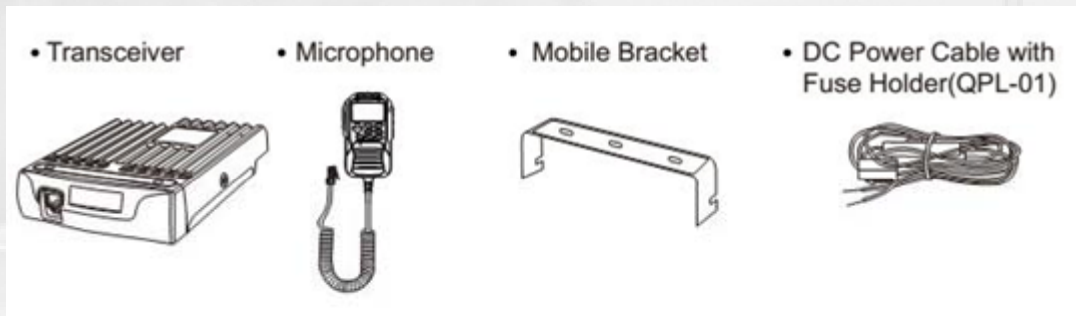
DUAL BAND MOBILE RADIO (DUAL RECEIVE)

AT-778U Mobile Radio



DUAL BAND MOBILE RADIO (DUAL RECEIVE)

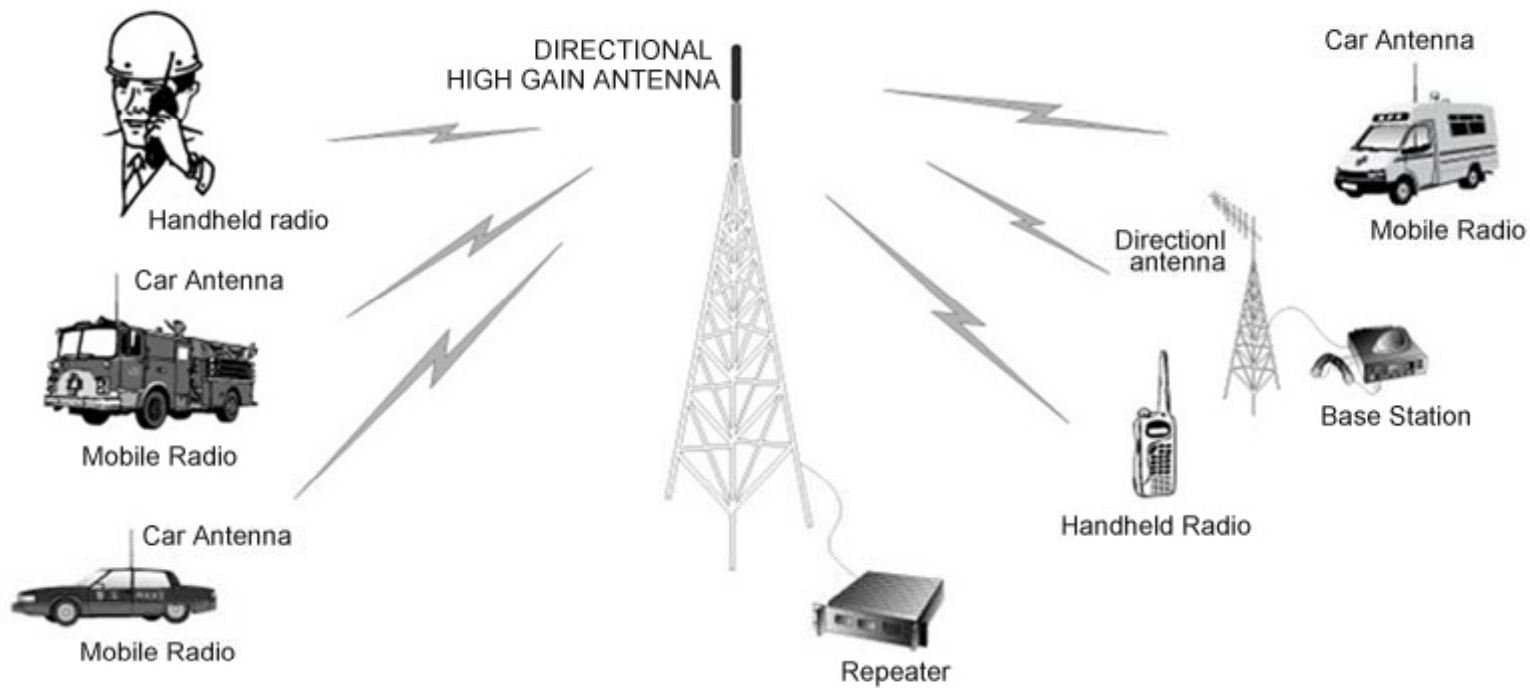
AT-778U Mobile Radio Info



- Operational Frequency:400-490MHz
- Output Power:25 Watts

DUAL BAND MOBILE RADIO (DUAL RECEIVE)

Mobile Radio Working Condition



DUAL BAND MOBILE RADIO (DUAL RECEIVE)

Mobile Radio Safety Instruction

- This radio generates RF electromagnetic energy during transmission.
- This radio is designed for and classified as "Occupational Use Only", meaning it must be used only during the course of employment by individuals aware of the hazards, and the ways to minimize with hazards. This radio is NOT intended for use by the "General Population" in an uncontrolled environment .
- For Compliance with FCC and Industry Canada RF Exposure Requirements, the transmitter antenna installation shall comply with the following two conditions:
 - 1. The transmitter antenna gain shall not exceed 0 dBi
 - 2. The antenna is required to be located outside of a vehicle and kept at a distance of 38.5 centimeters or more between the transmitting antenna of this device and any persons during operation. For small vehicle as worst case, the antenna shall be located on the roof top at any place on the center line along the vehicle in order to achieve 38.5 centimeters separation distance. In order to ensure this distance is met, the installation of the antenna must be mounted at least 38.5 centimeters away from the nearest edge of the vehicle in order to protect against exposure to bystanders

Mobile Radio Safety Instruction

Caution:

- To ensure that your exposure to RF electromagnetic energy is within the FCC allowable limits for occupational use, always adhere to the following guidelines:
- .DO NOT operate the radio without a proper antenna attached, as this may damage the radio and may also cause you to exceed FCC RF exposure limits. A proper antenna is the antenna supplied with this radio by the manufacturer or an antenna specifically authorized by the manufacturer for use with this radio.
- .DO NOT transmit for more than 50% during the time of employment (50% duty cycle or less). Transmitting excessive amount of time can cause RF exposure compliance requirements to be exceeded. Please carefully read instruction manual to learn how to transmit and stop transmitting before starting to use it

A collection of various mobile radio models, including handheld units and dual-band mobile radios, arranged in a row. The image is faded and serves as a background for the text.

DUAL BAND MOBILE RADIO (DUAL RECEIVE)

Mobile Radio Safety Instruction

Electromagnetic Interference/Compatibility

- During transmissions, your radio generates RF energy that can possibly cause interference with other devices or systems. To avoid such interference, turn off the radio in areas where signs are posted to do so. DO NOT operate the transmitter in areas that are sensitive to electromagnetic radiation such as hospitals, aircraft and blasting sites

Occupational/Controlled Use

- This Product is used in situations that users are exposed to RF as consequence of their employment provided those users are fully aware of the potential RF hazards and can exercise control over their exposure
- This transceiver is NOT ATEX approved and NOT intended for the use in hazardous explosive atmospheres

DUAL BAND MOBILE RADIO (DUAL RECEIVE)

THANK

Qixiang Electron Science&Technology Co., Ltd.

DUAL BAND MOBILE RADIO (DUAL RECEIVE)