

Quanta QT-133W-aa1 Quick Guide



Model No: QT-133W-aa1
Quick Guide release version: 01
Quick Guide release date: 20160930

Quanta QT-133W-aa1 device Quick Guide

Package contents

The QT-133W-aa1 device have included below items when opened the carton packing. Please make sure that you have received all of contents before device installing.

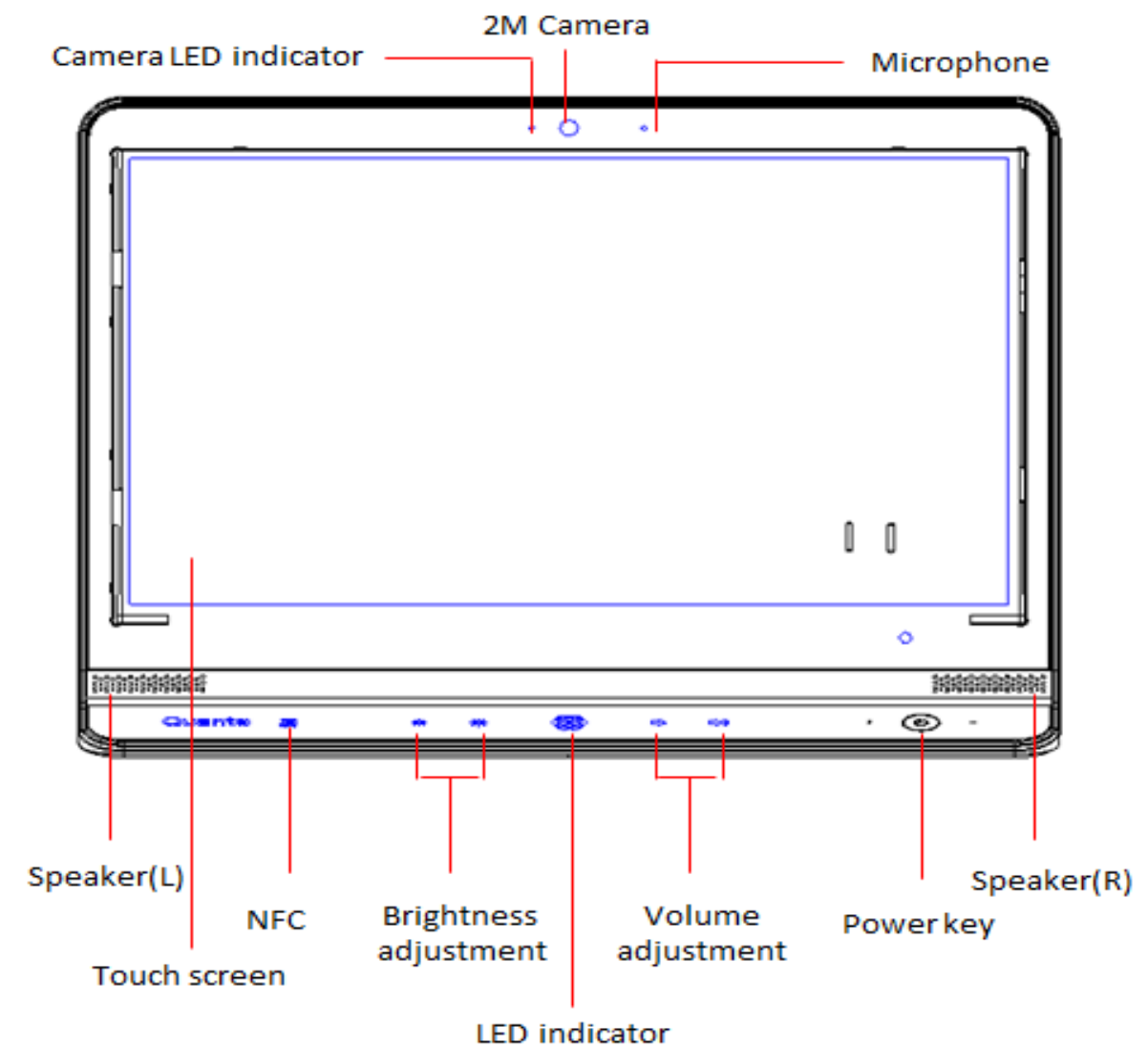
- ✓ QT-133W-aa1 unit x 1
- ✓ Power cord x 1
- ✓ Adaptor x 1
- ✓ Quick guide paper x 1

Installing QT-133W-aa1

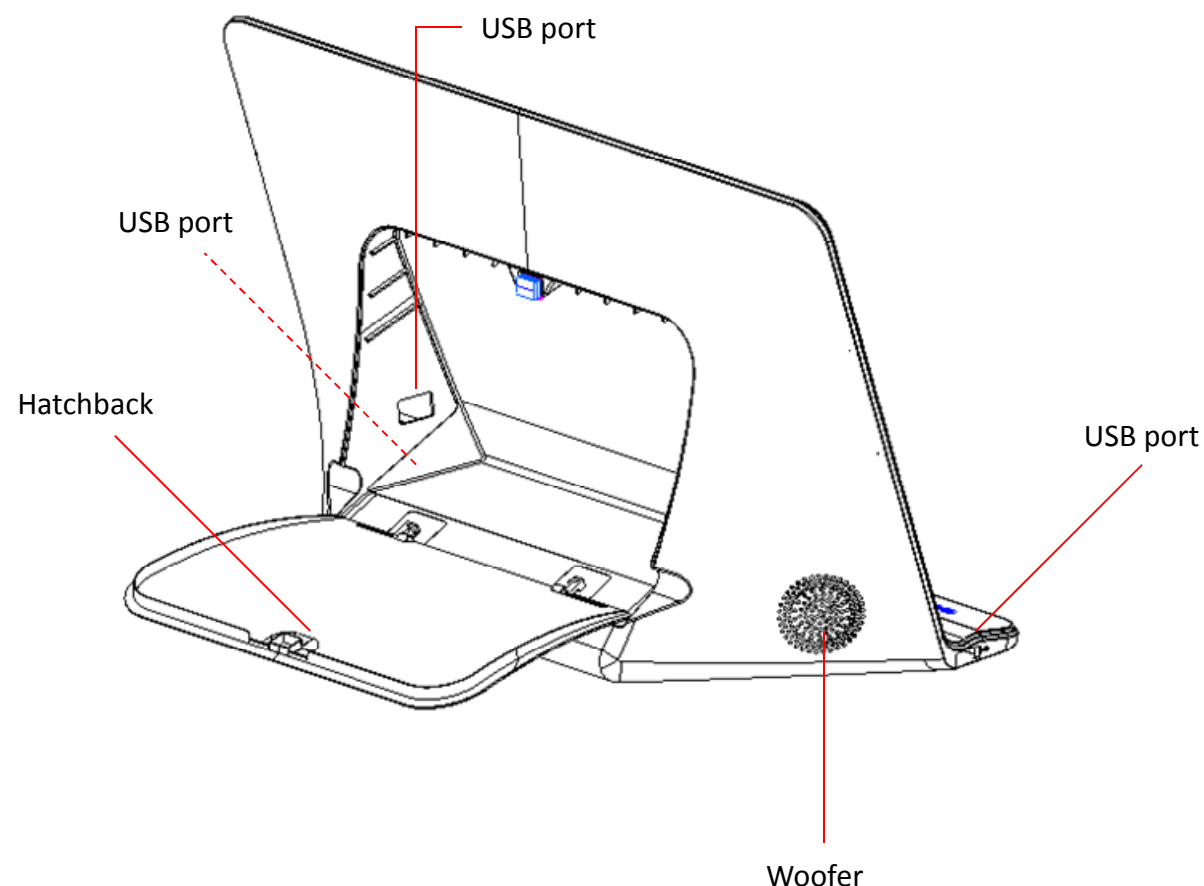
1. Connect power cord and adaptor to QT-133W-aa1. Press power button to power on the unit. When powered on, the screen and the LED will turn on.

Getting to know QT-133W-aa1

- Front side introduction



- Back side introduction



Device specification list

Specification	
Principle	Media PC (All-in-One)
Dimension	156.3(L) x 327.6(W) x 217.4(H)
Weight	1310(g)
Screen	13.3 inches touch screen
Memory	2GB
Storage	16GB
OS	Android 4.4.4
I/O ports	3 external USB ports ; Power jack ; Ethernet ; Headset jack
Wireless	2.4G WIFI (802.11b/g/n) BT/BLE 4.0 NFC
Camera	Resolution 1600*1200 pixel Focusing range 0.29m~1.57m EFL 2.48 F/NO. 2.4

	FOV 70.4 (deg)
Speaker	2W x2, with woofer 3W
Power Consumption	Charger mode W/O LCD: 19V/0.25A/4.75W Audio 100% + WIFI + BT +Ethernet: 19V/0.48A/9.12W
Power Input	19V, 2A
Battery capacity	2500mAh
Estimate standby time	1.4h @ Audio 100% + WIFI + BT +Ethernet
Operation Range	0~35 , 0%~85% RH

Federal Communications Commission (FCC) Statement

15.21

You are cautioned that changes or modifications not expressly approved by the part responsible for compliance could void the user's authority to operate the equipment.

15.105(b)

This equipment has been tested and found to comply with the limits for a Class B digital device, pursuant to part 15 of the FCC rules. These limits are designed to provide reasonable protection against harmful interference in a residential installation. This equipment generates, uses and can radiate radio frequency energy and, if not installed and used in accordance with the instructions, may cause harmful interference to radio communications. However, there is no guarantee that interference will not occur in a particular installation. If this equipment does cause harmful interference to radio or television reception, which can be determined by turning the equipment off and on, the user is encouraged to try to correct the interference by one or more of the following measures:

- Reorient or relocate the receiving antenna.
- Increase the separation between the equipment and receiver.
- Connect the equipment into an outlet on a circuit different from that to which the receiver is connected.
- Consult the dealer or an experienced radio/TV technician for help.

This device complies with Part 15 of the FCC Rules. Operation is subject to the following two conditions:

- 1) this device may not cause harmful interference and
- 2) this device must accept any interference received, including interference that may cause undesired operation of the device.



FCC RF Radiation Exposure Statement:

1. This Transmitter must not be co-located or operating in conjunction with any other antenna or transmitter.
2. This equipment complies with FCC RF radiation exposure limits set forth for an uncontrolled environment.
This equipment should be installed and operated with a minimum distance of **10mm** between the radiator and your body.