



RIPSTIK® ELECTRIC



⚠ NOTE: The product must be traveling at least 3 mph (5 km/h) before motor will engage. Kick start to at least 3 mph (5 km/h) while applying the remote control knob to engage motor.

OWNER'S MANUAL

**Read and understand this entire manual before allowing child to use this product! For assistance contact Razor.
DO NOT RETURN TO STORE.**

**NOTE: Manual illustrations are for demonstration purposes only.
Illustrations may not reflect exact appearance of actual product.
Specifications subject to change without notice.**

**Please have your product along with the 19 character product I.D. code with you before contacting Razor for warranty assistance and/or replacement parts.
Product I.D. Code: _____ - _____ - _____**

CONTENTS

| | | | |
|---------------------------|-----|---------------------------------------|------|
| Safety Warnings | 1-2 | Usage | 6 |
| Before You Begin..... | 3 | Repair and Maintenance..... | 7-10 |
| Set-up..... | 4 | Troubleshooting Guide..... | 11 |
| Charging the Battery..... | 5 | RipStik Electric Parts..... | 12 |
| Pre-Ride Checklist..... | 5 | Warranty and Contact Information..... | 14 |

SAFETY WARNINGS

⚠ WARNING: Riding a RipStik Electric does present potential risks and caution is required. Like any riding product, a RipStik Electric has inherent hazards associated with its use (for example, falling off or riding it into a hazardous situation). Like any riding product, RipStik Electrics can and are intended to move and it is therefore, of course, possible to lose control or otherwise get into dangerous situations. Both children, and adults responsible for supervising them, must recognize that if such things occur, a rider can be seriously injured or die even when using safety equipment and other precautions. **RIDE AT YOUR OWN RISK AND USE COMMON SENSE.**

⚠ WARNING: PARENTAL AND ADULT RESPONSIBILITY AND SUPERVISION IS NECESSARY: Because products, like RipStik Electrics, can and do present potential hazards plainly associated with their use, it is well recognized THE NEED FOR EXERCISE OF PARENTAL RESPONSIBILITY IN SELECTING RIDING PRODUCTS APPROPRIATE TO THE AGE OF A CHILD, OR PARENTAL SUPERVISION IN SITUATIONS IN WHICH CHILDREN OF VARIOUS AGES MAY HAVE ACCESS TO THE SAME RIDING PRODUCTS, IS IMPORTANT. Not every product is appropriate for every age or size of child, and different age recommendations are found within this category of product which are intended to reflect the nature of the hazards and the expected mental or physical ability, or both, of a child to cope with the hazards.

⚠ WARNING: NOT FOR RIDERS UNDER AGE 9 OR HEAVIER THAN 143 LB (65 KG). DO NOT EXCEED THE WEIGHT LIMIT OF 143 lb (65 kg) – including backpacks and other items that might be carried. Exceeding the weight limit could injure the rider and damage the RipStik Electric. Rider weight alone also does not necessarily mean a person's size is appropriate to fit or maintain control of the RipStik Electric. Keep this product away from small children and remember that this product is intended for use only by persons who are, at a minimum, completely comfortable and competent while operating the product.

Razor recommends that children under the age of 9 not be permitted to use this product. This recommendation is based not just on age or weight or height – it reflects consideration of expected maturity and skills as well as physical size. The recommended rider age of 9 years or older is only an estimate and can be affected by the rider's size, weight, or skills – not every rider 9 years old or older will be suited to the product. Certainly, any rider unable to fit comfortably on the RipStik Electric should not attempt to ride it, but a **parent's decision to allow his or her child to ride this product should be based on the child's maturity, skill, and ability to follow rules. Razor emphasizes that adults are strongly advised not to disregard Razor's recommendations or permit younger children to ride the RipStik Electric.**

Keep this product away from small children and remember that it is intended for use only by persons who are, at a minimum, completely comfortable and competent while operating.

Persons with any mental or physical conditions that may make them susceptible to injury, impair their physical dexterity or mental capabilities to recognize, understand, and follow safety instructions and to be able to understand the hazards inherent in the use of any ride-on product, should not use or be permitted to use products inappropriate for their abilities. Persons with heart conditions, head, back or neck ailments (or prior surgeries to these areas of the body), or pregnant women, should be cautioned not to operate such products.

DO NOT EXCEED THE WEIGHT LIMIT OF 143 lb (65 kg). Rider weight does not necessarily mean a person's size is appropriate to fit or maintain control of the RipStik Electric.

CHECK AND MAINTAIN PRODUCT CONDITIONS

Before use, check to confirm that covers and guards are in place and in serviceable condition. Check that the wheels are free of flat spots from wear. The product should be maintained and repaired in accordance with the manufacturer's specifications, using only the manufacturer's authorized replacement parts, and should not be modified from the manufacturer's original design and configuration.

ACCEPTABLE RIDING PRACTICES AND CONDITIONS

Always check and obey any local laws or regulations which may affect the locations where the RipStik Electric may be used. Keep safely away from cars and motor vehicle traffic at all times. Only use where allowed and with caution.

Do not activate the remote control throttle unless you are on the RipStik Electric and in a safe, outdoor environment suitable for riding. **The RipStik Electric must be moving at least 3 mph (5 km/h) before the motor will engage.** To push/kick start the RipStik Electric before engaging motor, it is recommended that the rider place forward foot on front deck and push start using rear foot (see page 6).

The normal powered top speed of this product will be approximately 10 mph (16 km/h), which can be affected by conditions, such as rider weight, inclines and battery charge level. Avoid excessive speeds that can be associated with downhill rides.

Ride defensively. Watch out for potential obstacles that could catch your wheel or force you to swerve suddenly or lose control. Be careful to avoid pedestrians, skaters, skateboards, scooters, bikes, children or animals who may enter your path, and respect the rights and property of others.

The RipStik Electric is intended for use on flat, dry surfaces, such as pavement or level ground, without loose debris, such as sand, leaves, rocks or gravel. Wet, slick, bumpy, uneven or rough surfaces may impair traction and contribute to possible accidents. Do not ride your product in mud, ice, puddles or water. Watch out for potential obstacles that could catch your wheel or force you to swerve suddenly or lose control. Avoid sharp bumps, drainage grates, and sudden surface changes.

Do not attempt or do stunts or tricks. The RipStik Electric is not made to withstand abuse from misuse, such as jumping, curb grinding or any other type of stunts. Racing, stunt riding, or other maneuvers also enhance risk of loss of control, or may cause uncontrolled rider actions or reactions.

Never allow more than one person at a time to ride the product.

Do not ride at night or when visibility is limited.

Never use near steps or swimming pools.

Do not allow hands, feet, hair, body parts, clothing, or similar articles to come in contact with moving parts or wheels while the motor is engaged.

Do not touch electric motor when in use or immediately after riding.

Never use headphones or a cell phone to talk or text when riding.

Never hitch a ride with a vehicle.

Do not ride your product in wet or icy weather and never immerse in water, as the electrical and drive components could be damaged by water or create other possibly unsafe conditions. Never risk damaging surfaces, such as carpet or flooring, by use of a RipStik Electric indoors.

SAFETY WARNINGS

PROPER RIDING ATTIRE

Always wear proper protective equipment, such as an approved safety helmet (with chin strap securely buckled), elbow pads, kneepads and wrist guards. A helmet may be legally required by local law or regulation in your area. A long-sleeved shirt, long pants, and gloves are recommended. Always wear athletic shoes (lace-up shoes with rubber soles) and keep shoelaces tied and out of the way of the wheels and motor. Never ride barefooted or in sandals.

USING THE CHARGER

The charger supplied with the product should be regularly examined for damage to the cord, plug, enclosure and other parts. In the event of such damage, the product must not be charged until the charger has been repaired or replaced.

Use only with the recommended charger.

Use caution when charging.

The charger is not a toy. Charger should be operated by an adult.

Do not operate charger near flammable materials.

Unplug charger and disconnect from product when not in use.

Always disconnect from the charger prior to wiping down and cleaning your product with damp cloth.

FAILURE TO USE COMMON SENSE AND HEED THE ABOVE WARNINGS FURTHER INCREASES RISK OF SERIOUS INJURY. USE AT YOUR OWN RISK AND WITH APPROPRIATE AND SERIOUS ATTENTION TO SAFE OPERATION. USE CAUTION.

BEFORE YOU BEGIN

Remove contents from box. Remove the separators that protect the components from damage during shipping. Inspect the contents of the box for scratches, dents or kinked cables that may have occurred during shipping. Because the RipStik Electric was assembled and packed at the factory, there should not be any problems, even if the box has a few scars or dents.

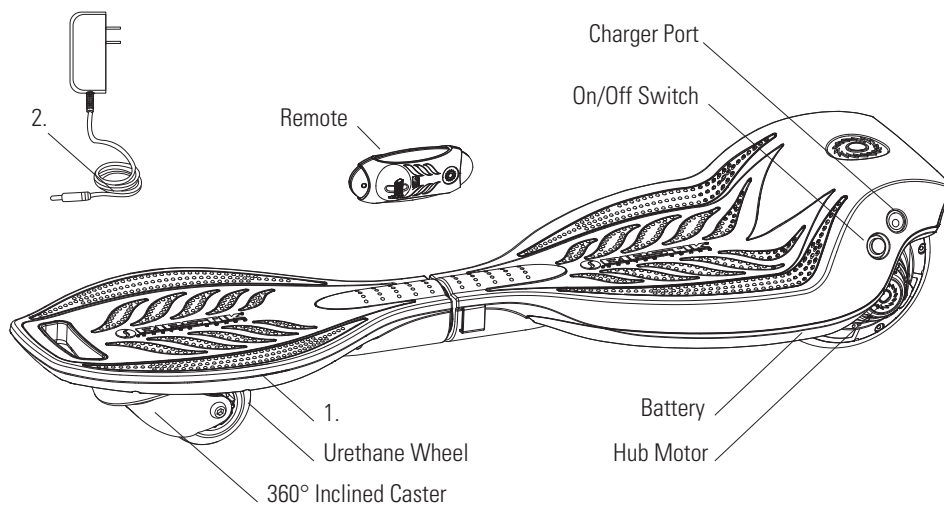
MAKE SURE POWER SWITCH IS TURNED "OFF" BEFORE CONDUCTING ANY ASSEMBLY OR MAINTENANCE PROCEDURES.

Estimated Assembly and Set-Up Time

No assembly required.

Allow up to 8 hours for charge (see page 5 for charging information).

Charger
(Note: Charger design may vary from one shown)



WARNING:
DO NOT USE NON-RAZOR PRODUCTS WITH YOUR RAZOR RIPSTIK ELECTRIC. The RipStik Electric has been built to certain Razor design specifications. The original equipment supplied at the time of sale was selected on the basis of its compatibility with the frame and all other parts. Certain aftermarket products may not be compatible and will void the warranty.

Note: RipStik Electric must be moving at least 3 mph (5 km/h) while holding the knob on the remote in the "GO" position for motor to engage.

Product ID Locations:
(See locations to the left)

1. Underneath Product
2. Charger
3. UPC Side of Box (Not Shown)

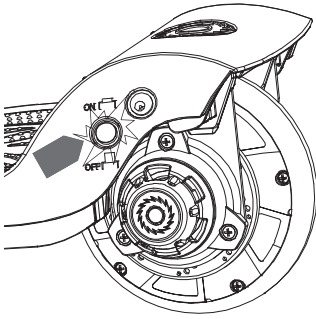
Box Contents:

- RipStik Electric
- Remote
- Two (2) AAA Batteries
- Charger
- Owner's Manual

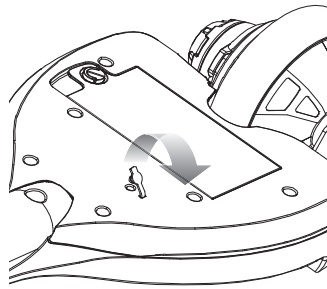
Need Help? Visit our web site for replacement parts, product support, a list of authorized service centers in the US and customer service contact information at www.razor.com. Please have the product I.D. code (located on the white label of your product) available for better assistance. Additional Customer Service contact information is listed at the back of this manual.

SET-UP

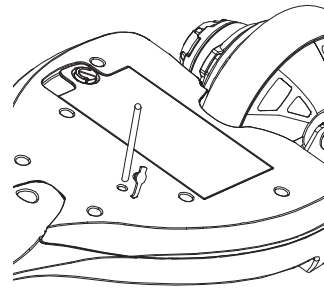
□ Pairing the Remote



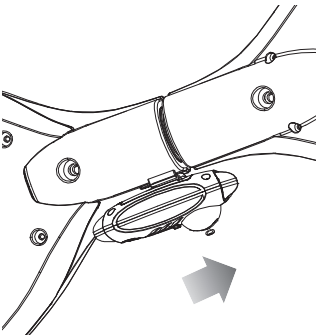
1 Turn power button to the **ON** position. The LED light will flash slowly.



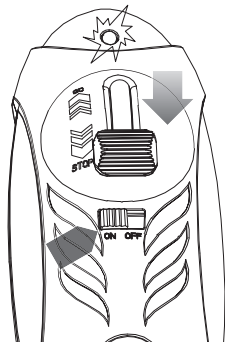
2 Open the pairing button cover located underneath the rear platform.



3 Using a small pointed object, gently tap to center of the pairing button. The LED on the power button should now be flashing quickly.



4 Remove remote from RipStik Electric.



5 Move the knob on the remote to the "STOP" position and hold. Do not let go of the knob. Turn the power switch on the remote to the "ON" position. If the LED light on the remote lights up and the power switch on the RipStik Electric is solid red, your remote has been successfully paired.

Note: If the remote does not pair, the LED light will continue to flash quickly on the RipStik Electric.

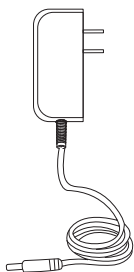
Repeat steps 1-3 and 5 again until remote is paired. Please call customer service if you experience any issues with pairing the remote.

Need Help? Visit our web site for replacement parts, product support, a list of authorized service centers in the US and customer service contact information at www.razor.com. Please have the product I.D. code (located on the white label of your product) available for better assistance. Additional Customer Service contact information is listed at the back of this manual.

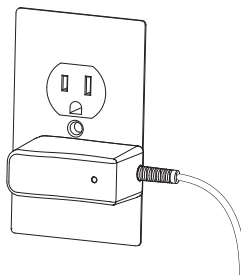
CHARGING THE BATTERY

Your electric product may not have a fully charged battery; therefore you must charge the battery prior to use. Be sure to charge the battery in a clean, dry location away from direct sunlight, flames or sparks.

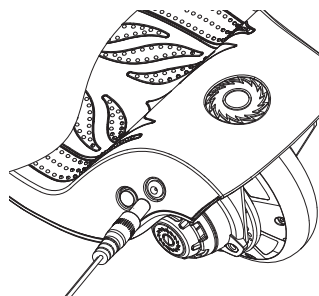
- Initial charge time: 8 hours.
- Recharge time: up to 6 hours, even if the light turns green. Recommended maximum charging time is 24 hours.
- Always charge the battery immediately after riding.
- Fully charge battery before storing for extended periods of time.
- Unplug charger from the wall outlet when not in use.
- Failure to recharge battery periodically may result in a battery that will not accept a charge.
- Make sure the power switch is turned **OFF** when product is not in use. If the power switch is left on for an extended period of time, the battery may reach a stage at which it will no longer hold a charge.
- To ensure long battery life, never store the product in freezing or below freezing temperatures!
- Run time: Up to 40 minutes of continuous ride time. Run time may vary depending on riding conditions, rider weight, climate, and/or proper maintenance.
- Constant starting and stopping may shorten ride time.
- Battery life can vary depending on proper maintenance and usage of the product.



Charger
(Note: Charger design may vary from one shown)



- 1** Plug the charger plug into wall outlet. The light on the charger should be green.
Note: If green light (LED) does not turn on, try a different outlet.



- 2** **Note:** Make sure power button is in the **OFF** position. Plug the charger into the charger port. The light on the charger should turn red during charging. The light will turn green again when charging is complete.

⚠ WARNING: Use **ONLY** with the recommended charger. Batteries are only to be charged under adult supervision. The charger is not a toy. Always disconnect the charger before wiping down and/or cleaning the RipStik Electric with a damp cloth.

The charger supplied with the RipStik Electric should be regularly examined for damage to the cord, plug, enclosure and other parts. In the event of such damage, the RipStik Electric must not be charged until it has been repaired or replaced.

Chargers have built-in overcharge protection to prevent battery from being overcharged.

Note: If the charger gets warm during regular use, this is a normal response and is no cause for concern. If your charger does not get warm during use, it does not mean that it is not working properly.

Wall outlet - Green (stand by)

Wall outlet and product - Red (charging)

Wall outlet and product - Green (charged)

Note: Continue charging product even if light turns green prior to 6 hours.

⚠ WARNING: Battery charge can deplete over time. Periodically recharge battery when not in use.

PRE-RIDE CHECKLIST



Wheels

Periodically inspect the wheels for excessive wear.



Frame

Check for cracks or broken connections. Although broken frames are rare, it is possible for an aggressive rider to run into a curb or object and wreck and bend or break a frame. Get in the habit of inspecting your product on a regular basis.



Hardware/Loose Parts

Before every ride, check all parts, such as nuts, bolts, fasteners, etc., to ensure they are secure and assembled correctly. There should not be any unusual rattles or sounds from loose parts or broken components. If the product is damaged, do not ride.

Reference "Safety Warnings" on pages 1 and 2 of this manual.



Safety Gear

Always wear proper protective gear, such as an approved safety helmet. Elbow pads, kneepads and wrist guards are recommended. Always wear athletic shoes (lace-up shoes with rubber soles) and keep shoelaces tied and out of the way of the wheels, motor and drive system. **NEVER RIDE BAREFOOTED OR IN SANDALS.**



Laws and Regulations

Always check and obey any local laws or regulations.



Insurance

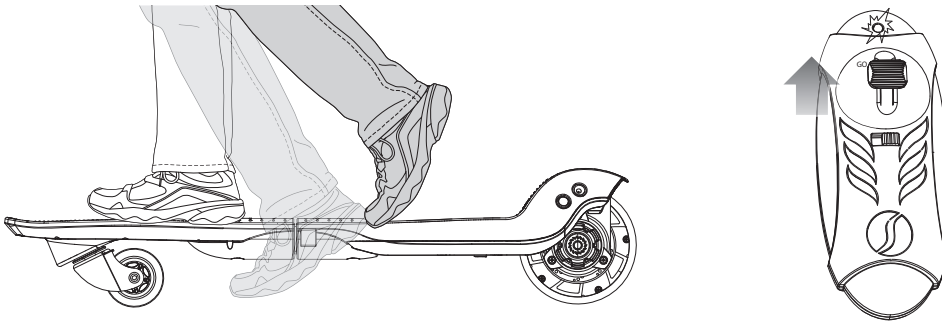
Do not assume that your existing insurance policies necessarily provide coverage for product use. Check with your insurance company for information regarding insurance.

USAGE

□ How to Start

Turn power button to the "ON" position for both the RipStik Electric and the remote.

Place one foot on the front deck plate and with the other foot, push (kick start) RipStik Electric **while** holding the knob on the remote in the "GO" position. Place other foot on rear deck plate once motor has engaged.



Note: RipStik Electric must be moving at least 3 mph (5 km/h) for motor to engage.

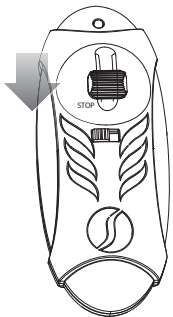
□ How to Stop

The RipStik Electric can coast to a stop or can use "dynamic motor braking" to slow more quickly.

While riding, release the remote knob and it will return to "neutral" position. The product will slow to a stop with motor assistance.

To slow more rapidly to a stop, move the remote knob down to the stop position and hold. This will engage dynamic motor braking and the product will slow down more quickly.

Stepping off the product also works to stop, and releasing the remote knob will cut power to the motor.



Note: As an additional safety feature, the RipStik Electric is designed to cut power to the motor when the remote knob is in the "STOP" or neutral position.

Note: Motor will re-engage, (without having to kick start), if the remote is in the "GO" position **before** RipStik Electric has slowed down to **under 3 mph (5 km/h)**.

Need Help? Visit our web site for replacement parts, product support, a list of authorized service centers in the US and customer service contact information at www.razor.com. Please have the product I.D. code (located on the white label of your product) available for better assistance. Additional Customer Service contact information is listed at the back of this manual.

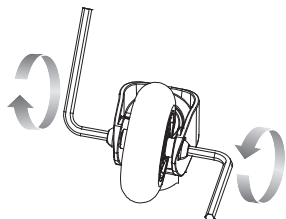
REPAIR AND MAINTENANCE

Before beginning repair or maintenance:

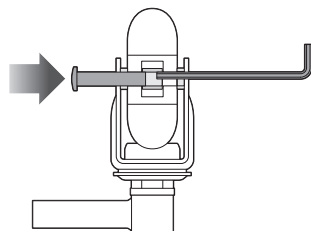
- Read the instructions
- Disconnect charger
- Turn the power switch OFF
- Exercise caution around exposed parts
- Contact Razor customer service if unsure about any repair or maintenance

❑ Caster Wheel Replacement

Tools Required: Two (2) 5 mm Allen Wrenches



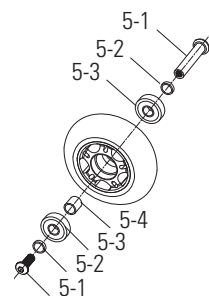
1 Carefully turn product over. Using two (2) 5 mm Allen wrenches, loosen coupling bolt and remove wheel from caster.



2 Insert replacement wheel into caster. **Note:** Make sure the spacer in the center of the wheel is aligned with the holes in the bearing before inserting the coupling bolt.

Secure tightly into place.

Note: Practice riding only in wide open areas clear from curbs, parking blocks and other obstacles. Impacting the wheels against any hard surface can damage the wheels. Wheels are not covered under your limited warranty.

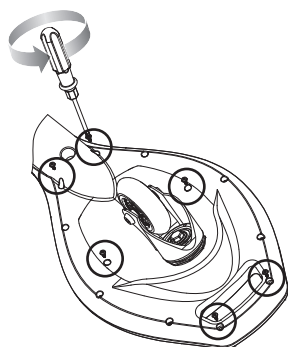


Wheel

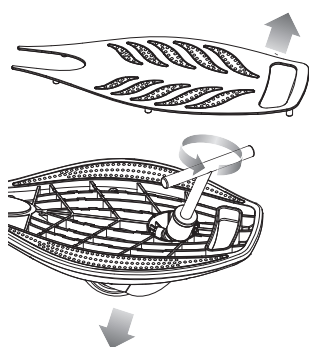
- 5-1 Coupling Bolt
- 5-2 Washer
- 5-3 Bearing
- 5-4 Spacer

❑ Front Caster Replacement

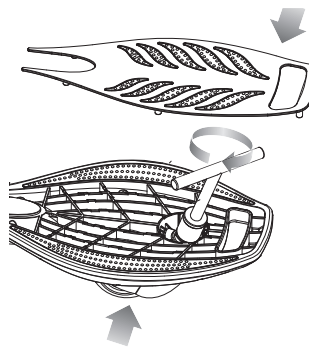
Tool Required: Phillips Screwdriver and 24 mm Wrench



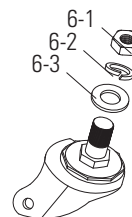
1 Using a Phillips screwdriver, remove the six (6) screws attaching the deck plate to the platform. Remove the deck plate.



2 Turn product over. Using a 24 mm wrench, loosen the nut on the caster and remove caster. Using two (2) 5 mm Allen wrenches, loosen coupling bolt and remove wheel from caster.

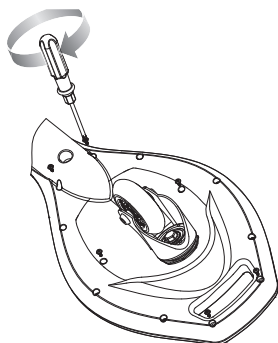


3 Insert replacement caster. Secure in place with nut removed in step 2. Re-attach wheel to caster. Refer to step 2 above.



Caster

- 6-1 Locknut
- 6-2 Spring Washer
- 6-3 Flat Washer

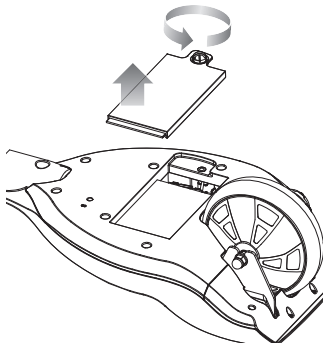


4 Using a Phillips screwdriver, tighten the six (6) screws attaching the deck plate to the platform.

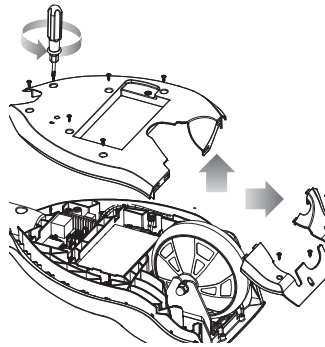
REPAIR AND MAINTENANCE

❑ Rear Wheel/Hub Motor Replacement

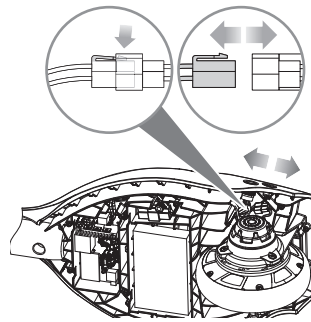
Tools Required: Phillips Screwdriver and Two (2) 13 mm Wrenches



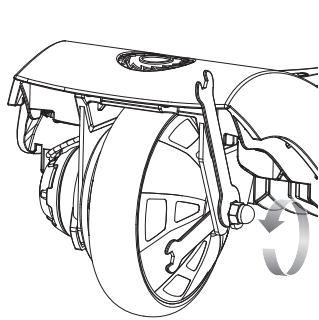
1 Locate the battery compartment underneath the product. Using a Phillips screwdriver, loosen the screw and remove the battery cover.



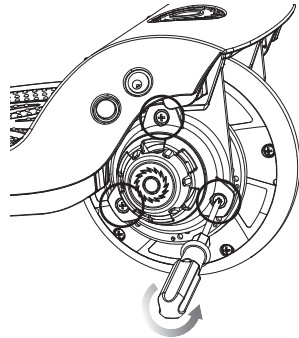
2 Remove the ten (10) Phillip screws and remove both rear platform covers.



3 Disconnect the motor connector from the control module.



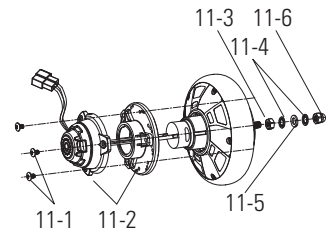
4 Using a 13 mm wrench, loosen the outside locknut (11-6). Use a 13 mm wrench to prevent the inside nut (11-3) from turning. Remove wheel/hub motor.



5 Using a Phillips screwdriver remove the three (3) screws that attach the motor housing to the frame.

6 To install the replacement wheel/hub motor, reverse steps 1 through 5.

Note: Rear wheel hardware sequence



Left Side

11-1 Phillips Screws (2)
11-2 Motor Housing

Right Side

11-3 Nut
11-4 Spring Washer
11-5 Flat Washer

Frame

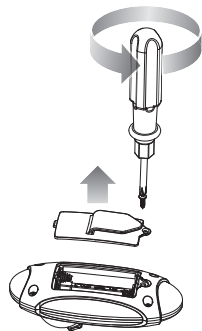
11-6 Locknut

Need Help? Visit our web site for replacement parts, product support, a list of authorized service centers in the US and customer service contact information at www.razor.com. Please have the product I.D. code (located on the white label of your product) available for better assistance. Additional Customer Service contact information is listed at the back of this manual.

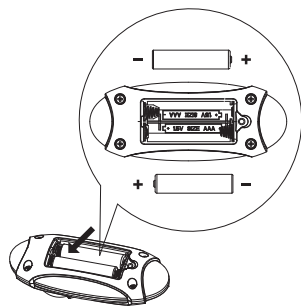
REPAIR AND MAINTENANCE

Remote Battery Replacement

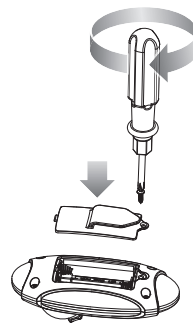
Tool Required: Phillips Screwdriver



1 Using a Phillips screwdriver, remove the battery cover on the back of the remote.



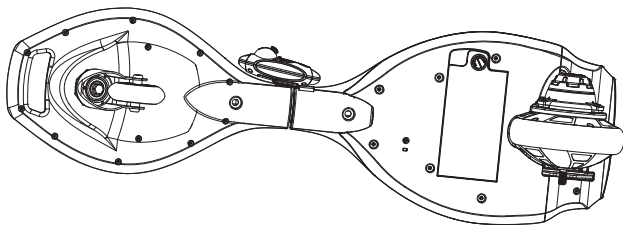
2 Install two (2) AAA batteries.



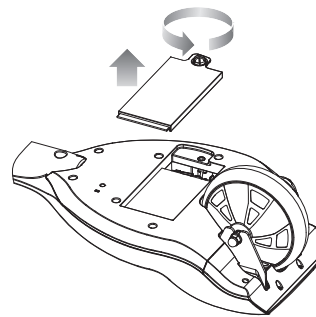
3 Securely tighten the battery cover onto the back of the remote.

Product Battery Replacement

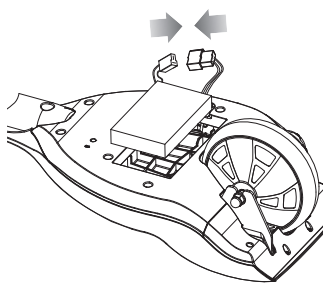
Tool Required: Phillips Screwdriver



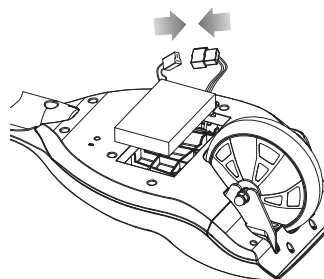
1 Turn the RipStik Electric over and place on a flat surface.



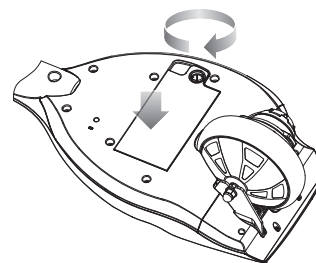
2 Using a Phillips screwdriver, loosen the screw and remove the battery cover.



3 Disconnect the battery connector from the control module and carefully remove the battery from product.



4 Install replacement battery. Re-connect the battery connector to the control module.



4 Replace battery cover and securely tighten in place with screw.

REPAIR AND MAINTENANCE

Battery Care and Disposal

Do not store in freezing or below freezing temperatures. To properly maintain your battery and ensure maximum battery life, carefully read the "Charging the Battery" section on page 5 of this owner's manual.



CONTAINS LITHIUM ION BATTERY. BATTERY MUST BE DISPOSED OF PROPERLY.

Charger

The charger supplied with the RipStik Electric should be regularly examined for damage to the cord, plug, enclosure and other parts and in the event of such damage, the product must not be charged until it has been repaired or replaced.

Use ONLY with the recommended charger.

Wheels

Wheels and drive system are subject to normal wear and tear. It is the responsibility of the user to periodically inspect wheels for excess wear and replace hub motor components as required.

Replacement Parts

The most frequently requested replacement parts are available for purchase at some Razor retail partners. For the complete selection of replacement parts visit shop.razor.com.

Repair Centers

For a list of authorized Razor repair centers:

- Check online at www.razor.com.
- Additional Customer Service contact information is listed on the back of this manual.

Need Help? Visit our web site for replacement parts, product support, a list of authorized service centers in the US and customer service contact information at www.razor.com. Please have the product I.D. code (located on the white label of your product) available for better assistance. Additional Customer Service contact information is listed at the back of this manual.

TROUBLESHOOTING GUIDE

*Product(s) should be turned **OFF** and fully charged prior to doing any Troubleshooting.

NOTE: All troubleshooting steps should be performed by an adult only.

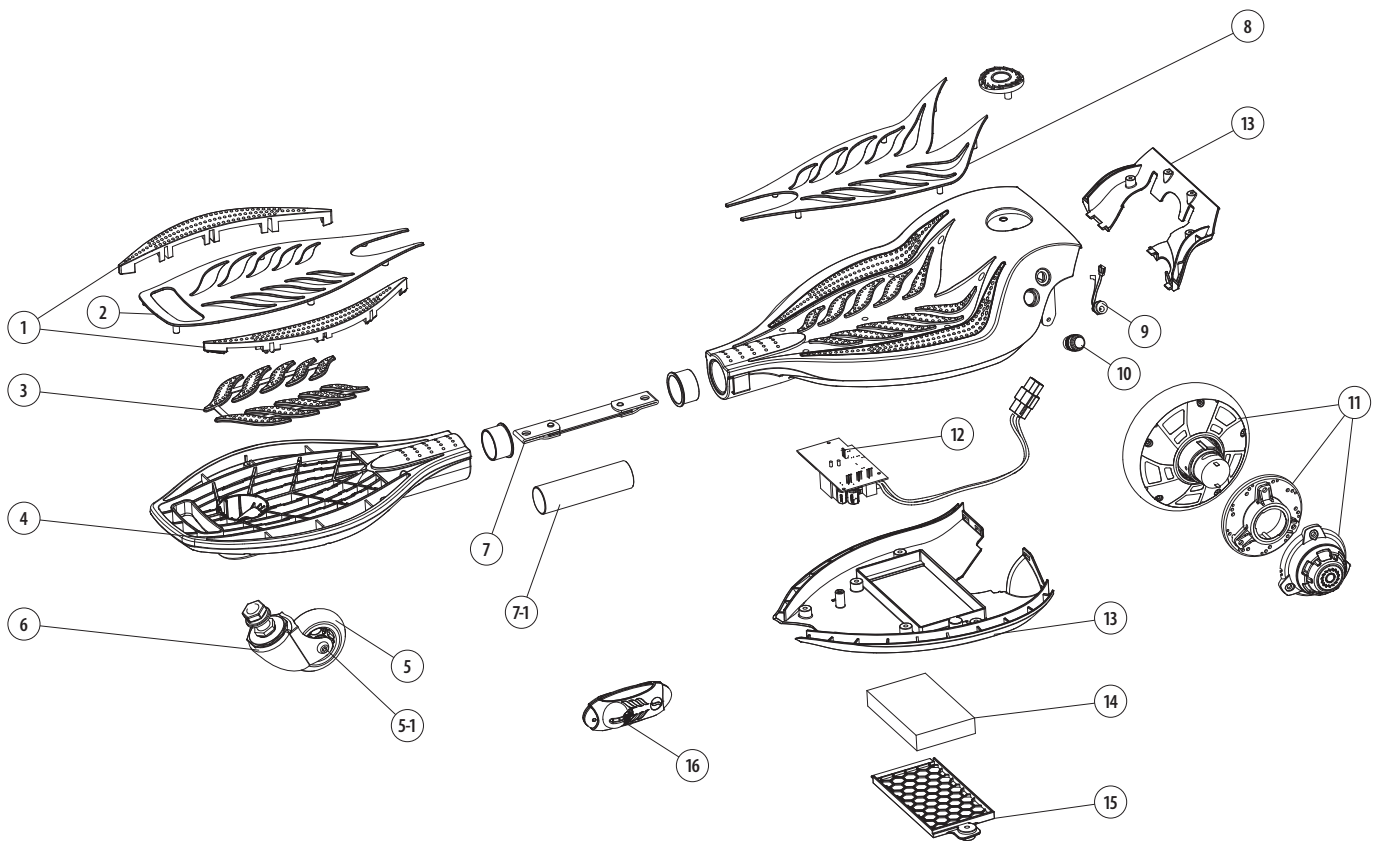
| Problem | Possible Cause | Solution |
|------------------------------|--|---|
| Does not work out of the box | Product must be traveling at least 3 mph (5 km/h) before motor will engage | Kick start to at least 3 mph (5 km/h) while knob on the remote is in the "GO" position to engage motor. |
| | Loose connection(s) | Check for loose connections/wires underneath the deck plate. |
| No longer works | Loose connection(s) | Check for loose connections/wires underneath the deck plate. |
| | No lights on charger | Check power to wall outlet and/or try a different outlet. |
| | Undercharged battery | Check lights on charger: Plugged into wall - Green Plugged into wall & product - Red (charging) Plugged into wall & product - Green (charging complete) No lights/Blinking lights - Replace Charger |
| | Battery will not hold a charge | Turn power on and hold remote knob in the "GO" position. With no weight on the product, lift up the back and manually (use caution) spin the rear wheel. If motor engages - replace battery. |
| Short run time/runs slow | Riders weight | Do not exceed 143 lb (65 kg) maximum weight limit. |
| | Riding conditions | Use only on flat, dry surfaces. Avoid inclines and areas with heavy debris. |
| | Battery not fully charged | Charge product for a full 8 hours. |
| | Old/damaged battery | Replace battery. |
| | | Charge battery at least once a month when not in use. Do not store product in freezing or below freezing temperatures. Freezing will permanently damage the battery and greatly reduce ride time. Refer to page 5 for charging information. |

For more troubleshooting tips, a list of available replacement parts or to locate an authorized Service Center in your area, visit our web site at www.razor.com or call toll free +1 866-467-2967 to speak to a live Customer Service Representative.

RIPSTIK ELECTRIC PARTS

Keep your RipStik Electric running for years with genuine Razor parts. Visit our web site or e-mail us for more information on spare part availability. (Specifications subject to change without notice.)

- | | |
|------------------------------|------------------------------------|
| 1. Left/Right Non-slip Strip | 9. Charger Port |
| 2. Front Deck Plate | 10. On/Off Switch |
| 3. Front Non-slip Lump | 11. Rear Wheel/ Hub Motor Assembly |
| 4. Front Platform | 12. Control Module |
| 5. Front Wheel | 13. Bottom Platform Covers |
| 5-1 Coupling Bolt | 14. Battery |
| 6. Caster | 15. Battery Cover |
| 7. Torsion Bar | 16. Remote |
| 7-1 Cover | 17. Charger (Not Shown) |
| 8. Rear Deck Plate | |



Need Help? Visit our web site for replacement parts, product support, a list of authorized service centers in the US and customer service contact information at www.razor.com. Please have the product I.D. code (located on the white label of your product) available for better assistance. Additional Customer Service contact information is listed at the back of this manual.

NOTICE: INSURANCE
YOUR INSURANCE POLICIES MAY NOT PROVIDE COVERAGE FOR
ACCIDENTS INVOLVING THE USE OF THIS SCOOTER/ELECTRIC
RIDE-ON PRODUCT. TO DETERMINE IF COVERAGE IS PROVIDED,
YOU SHOULD CONTACT YOUR INSURANCE COMPANY OR AGENT.

FCC COMPLIANCE

This device complies with Part 15 of the FCC Rules. Operation is subject to the following two conditions: (1) This device may not cause harmful interference, and (2) this device must accept any interference received, including interference that may cause undesired operation.

Note: This equipment has been tested and found to comply with the limits for a Class B digital device, pursuant to part 15 of the FCC Rules. These limits are designed to provide reasonable protection against harmful interference in a residential installation. This equipment generates, uses and can radiate radio frequency energy and, if not installed and used in accordance with the instructions, may cause harmful interference to radio communications. However, there is no guarantee that interference will not occur in a particular installation. If this equipment does cause harmful interference to radio or television reception, which can be determined by turning the equipment off and on, the user is encouraged to try to correct the interference by one or more of the following measures:

- Reorient or relocate the receiving antenna.
- Increase the separation between the equipment and receiver.
- Connect the equipment into an outlet on a circuit different from that to which the receiver is connected.
- Consult the dealer or an experienced radio/TV technician for help.

⚠ WARNING: Changes or modifications to this product not expressly approved by Razor USA LLC, could void the user's authority to operate the equipment.

WARRANTY

Razor Limited Warranty

The manufacturer warrants this product to be free of manufacturing defects for a period of 90 days from date of purchase. This Limited Warranty does not cover normal wear and tear, wheel, or any damage, failure or loss caused by improper assembly, maintenance, storage or use of the RipStik Electric.

This Limited Warranty will be void if the product is ever:

- used in a manner other than for recreation or transportation;
- modified in any way;
- rented.

The manufacturer is not liable for incidental or consequential loss or damage due directly or indirectly to the use of this product.

Razor does not offer an extended warranty. If you have purchased an extended warranty, it must be honored by the store at which it was purchased.

For your records, save your original sales receipt with this manual and write the serial number below.

CUSTOMER SERVICE CONTACT INFORMATION

Need Help? Visit our web site for replacement parts, product support, a list of authorized service centers in the US and customer service contact information at www.razor.com. Please have the product I.D. code (located on the white label of your product) available for better assistance. Additional Customer Service contact information is listed below:

AMERICAS

Razor USA LLC
P.O. Box 3610
Cerritos, CA 90703
USA

+1 866 467 2967
Monday - Friday
8:00 AM - 5:00 PM Pacific Time

EUROPE

Razor USA LLC (Europe)
Handelsweg 2
2742 RD Waddinxveen
Netherlands

+44 (0) 120 267 2702

ASIA

Razor USA LLC (Asia)
P.O. Box 3610
Cerritos, CA 90703
USA

+81 50 7579 6622
info@razor-asia.com

DISTRIBUTED IN THE UK BY:

Re:creation Limited
2 Meadows Business Park
Station Approach, Blackwater
Camberley, Surrey GU17 9AB
United Kingdom

+44 (0) 118 973 6222 *Tel*
+44 (0) 118 973 6220 *Fax*
sales@recreationltd.co.uk

DISTRIBUTED IN AUSTRALIA BY:

Funtastic Limited
Level 2, Tower 2, Chadstone Place
1341 Dandenong Road
Chadstone VIC 3148
Australia

+1 800 244 543
info@funtastic.com.au

Printed in China for Razor USA LLC.

Copyright © 2003-2016 Razor USA, LLC. All rights reserved. RipStik®, Razor® and the Razor logo design are among the registered trademarks of Razor USA LLC in the United States and/or select foreign countries. RipStik Electric is a trademark of Razor USA LLC.