

Keep these instructions for future reference:  
they contain important information.

IMPORTANT: Please read all "Consumer  
information" before operating your RC COLOR BUG.



**CAUTION:** Surfaces may become hot  
and cause burns if electronics get wet. Do  
not operate vehicle through water or snow.

**BATTERIES SOLD SEPERATELY**

## I. CONTENTS/ FEATURES

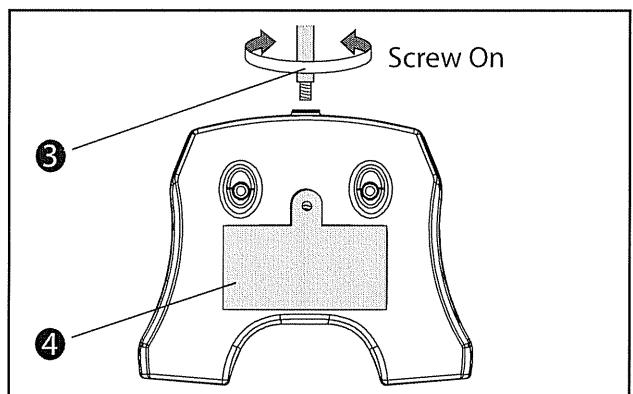
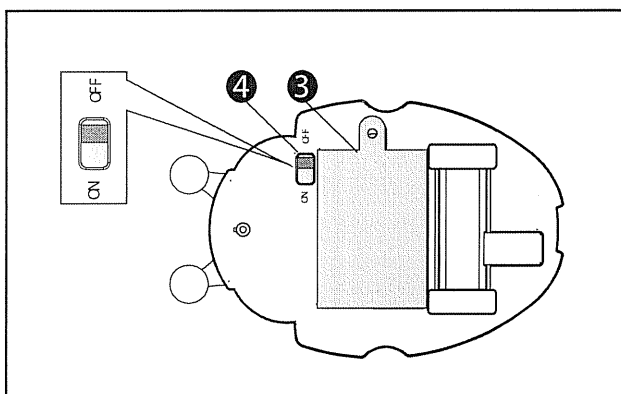
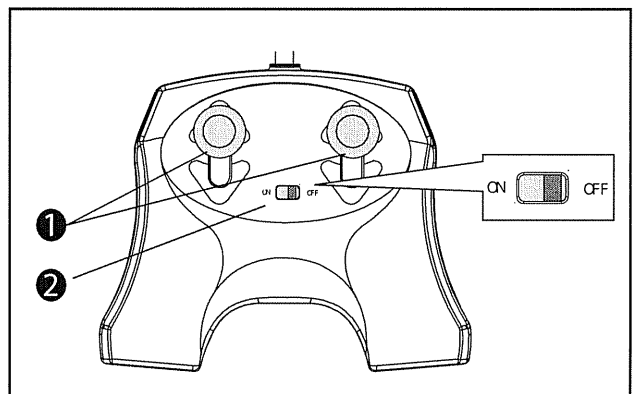
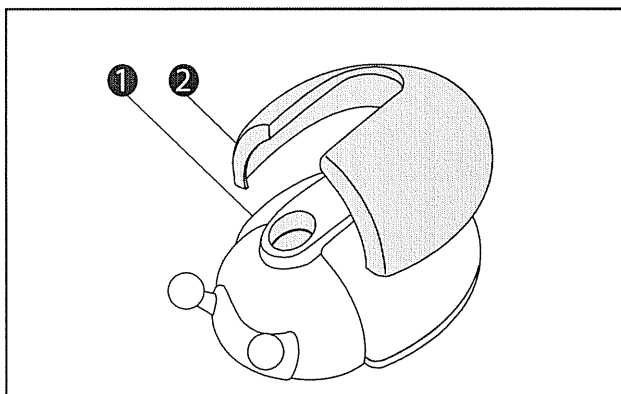
RC Color Bug  
Transmitter with removable antenna  
4 Washable Markers

### RC Color Bug

- ① Marker Snap
- ② Removable Shell
- ③ Battery door
- ④ On/Off switch

### Transmitter

- ① Steering controls: forward / reverse / simple  
turning left / simple turning right
- ② On/Off switch
- ③ Removable Antenna
- ④ Battery door



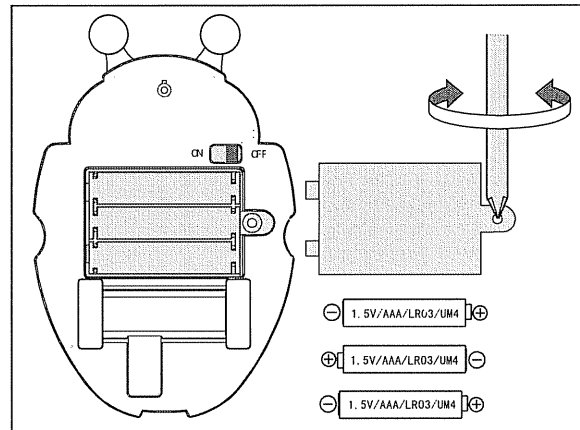
**DO NOT RETURN THIS TOY TO THE STORE!**

We stand behind our product. If you experience any difficulty assembling or operation this toy,  
please contact us and let us help.

## II. BATTERY INSTALLATION

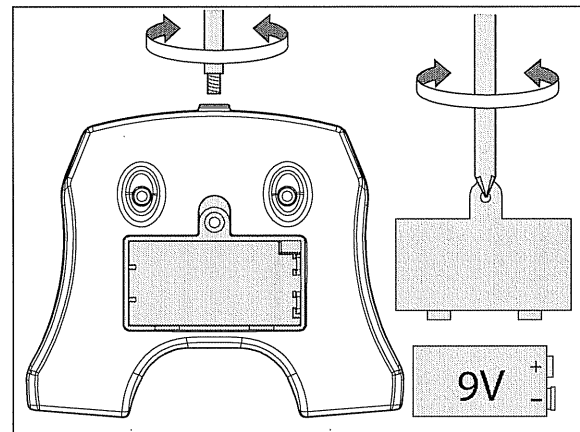
### RC Color Bug

1. Use a screwdriver (not included) to unscrew the power clip cover screw, remove the battery cover.
2. Install 3 AAA batteries (not included), with polarity (+/-) as shown inside the battery compartment.
3. Replace the battery cover.
4. Switch the bug "ON" to operate, remember to switch it "OFF" when finished.

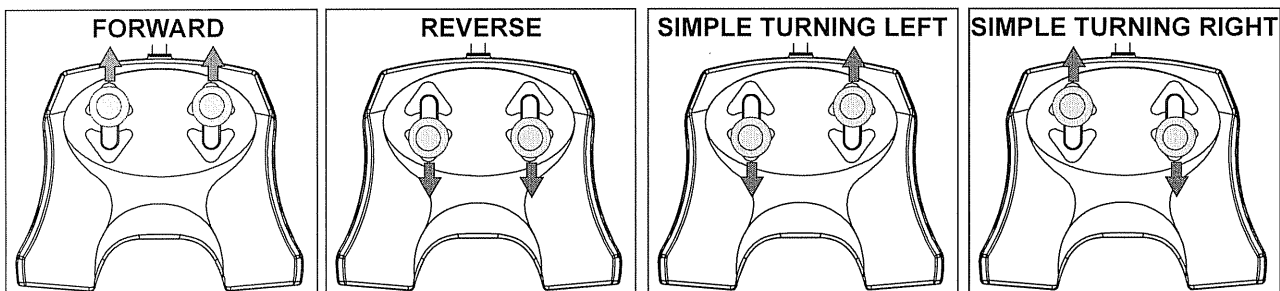


### Transmitter

1. Screw the antenna onto the transmitter (included).
2. Use a screwdriver (not included) to unscrew the power clip cover screw, remove the battery cover.
3. Install 1 9V battery (not included), with polarity (+/-) as shown inside the battery compartment.
4. Replace the battery cover.
5. Switch the Transmitter "ON" to operate, remember to switch it "OFF" when finished.



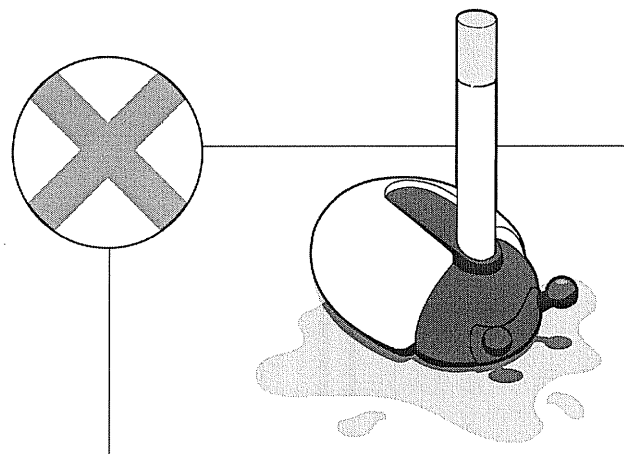
## III. VEHICLE OPERATION



## IV. CONSUMER INFORMATION

### Safety Tips

1. To prevent entanglement, keep hair away from wheels.
2. To avoid accidental operation, remove all batteries when not in use. Always turn the RC COLOR BUG "OFF" before removing batteries.
3. Adult supervision is recommended when this vehicle is being operated.
4. NEVER drive your RC COLOR BUG on streets!
5. Surfaces may become hot and cause burns if electronics get wet. Do not operate vehicle through water or snow.



## V. QUICK TIPS

1. Only operate RC COLOR BUG on recommended. RC ART Playpad. For more information on this inexpensive play pad go to RC ART TOYS.COM.
2. Do not drive your bug in sand or through water or snow. If your vehicle does get wet, wipe it with a towel and allow it to dry completely.
3. When your RC COLOR BUG starts to lose power, it may lose function or performance. It's time for fresh batteries
4. Radio interference can effect your vehicle's performance. Interference can be caused by other R/C vehicles running on the same frequency, electrical wires, large building, CB radios or other wireless gear. Avoid these if possible.
5. Do not store your RC COLOR BUG near heat or in direct sunlight. Always turn switches OFF and remove all batteries for storage.
6. Point your transmitter antenna up - not down toward your vehicle. If your vehicle gets to far away, it won't work properly.

## VI. BATTERY SAFETY INFORMATION

1. Insure that battery polarity is correct.
2. Use only batteries of the type recommended (or equivalent).
3. Do not mix old and new batteries.
4. Do not mix alkaline, standard (carbon-zinc), or rechargeable (nickel-cadmium) batteries.
5. Remove used-up batteries immediately. Remove batteries if vehicle will not be used for a long period of time to prevent possible leakage.
6. Do not recharge non-rechargeable batteries.
7. Do not short-circuit terminals.
8. Dispose of batteries safely. Do not dispose of batteries (or products containing non-replaceable batteries) in fire, as batteries may explode or leak.

### \*Battery Performace Note:

When using alkaline batteries, battery life may vary depending on battery brand.

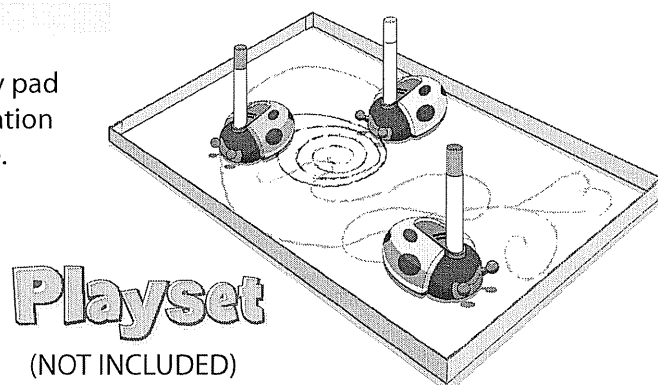
## VII. WASHABLE MARKERS

### Washable Markers.

- 1) RC ART Washable Markers should not be used on carpeting, vinyl, wood surfaces, walls and other materials that cannot be laundered.
- 2) If RC ART Washable Markers come into contact with clothing, wash promptly in hot wash cycle. Repeat as necessary.

## VIII. RECOMMENDED USE

- 1) For best results, try our inexpensive play pad with integrated walls. For more information on this product, please visit our website.



## IX. PROBLEMS ?

Before taking your new R/C back to the retailer, contact us at:

[questions@rcarttoys.com](mailto:questions@rcarttoys.com)

# RC ART TOYS.COM

### 90 DAY LIMITED WARRANTY - RC ART TOYS

RC ART LLC warrants to the original consumer purchaser that this product will be free of defects in material and workmanship for ninety (90) days (unless specified in alternate warranties) from the date of purchase. RC ART LLC will replace the product in the event of such a defect within the warranty period.

In the event of a defect covered under this warranty, first go to RC ART TOYS .com. Many problems can be solved in this manner. If necessary, you will be instructed to return the product, postage prepaid and insured, to the address below. Enclose your name, address, dated sales receipt, and a brief explanation of the defect. Replacement and return shipment will be free of charge.

This warranty does not cover damage resulting from unauthorized modification, accidents, misuse or abuse. If the product returned without a dated sales receipt the product may be excluded from coverage under this warranty.

RC ART's liability for defects in material and workmanship under this warranty shall be limited to repair or replacement, at our sole option, and in no event shall we be responsible for incidental, consequential, or contingent damages (except in those states that do not allow this exclusion or limitation). This warranty is exclusive, and is made in lieu of any express or implied warranty. Valid only in U.S.A. This warranty gives you specific legal rights and you may have other rights, which vary from state to state. Some states do not allow the exclusion of incidental or consequential damages, so the above exclusions or limitations may not apply to you.

For more information go to: RC ART TOYS.COM

ADDRESS FOR RETURNS:  
CONSUMER RELATIONS  
200 QUEBEC STREET BULDING 300 ,  
SUITE 111, #21, DENVER CO 80230

## X. FCC REGULATIONS

**FCC WARNING:** Changes or modifications not expressly approved by the party responsible for compliance could void the user's authority to operate the equipment. The manufacturer is not responsible for any radio or TV interference caused by unauthorized modifications to this equipment. Such modifications could void the User's authority or operate the equipment.

**COMPLIANCE WITH FCC REGULATIONS (VALID IN U.S. ONLY):** This device complies with part 15 of the FCC Rules. Operation is subject to the following two conditions: (1) This device may not cause harmful interference, and (2) this device must accept any interference received, including interference that may cause undesired operation. This device generates and uses radio frequency energy and if not used properly may cause interference to radio and television reception. It has been tested and found to comply with the limits set by the FCC which are designed to provide reasonable protection against such interference.

**RC Art Toys™**  
.com

RC ART TOYS  
200 QUEBEC STREET BULDING 300 ,  
SUITE 111, #21,  
DENVER CO 80230