

## **THANK YOU!**

Thank you for purchasing the BR250™ Professional Two-Way Radio by RCA Communications Systems. With its exquisite, ergonomic design, the BR250™ is customized for logistics, warehousing, construction, property management and service industries. It meets Class IP54 requirements for dust and water and is equipped with a large speaker.

This easy-to-use, push-to-talk radio will deliver you secure, instant and reliable communications at peak efficiency. Please carefully read this manual before use in order to achieve maximum performance from your radio.

### MODELS COVERED IN THIS MANUAL:

- BR250 VHF Two-Way Radio
- BR250 UHF Two-Way Radio

**CONTENTS:**

Safety and General Information.....	4	Removing the Antenna.....	17
Product Inspection.....	5	Attaching / Removing the Belt Clip.....	18
RCA BR250™ Overview.....	7	Attaching the Earpiece / Microphone...	19
Battery Information.....	10	Removing the Earpiece / Microphone...	19
Initial Use.....	10	General Radio Operations and Functions....	20
Applicable Battery Packs.....	10	Radio Operations.....	20
Battery Tips.....	10	Turn the Radio On/Off.....	20
Tips to Prolong Battery Life.....	11	Adjust the Volume.....	20
Battery Storage.....	11	Select a Channel.....	21
Charging the Battery.....	11	Transmitting.....	21
Steps for Setting Up Your Charger.....	13	Receiving.....	21
Troubleshooting.....	14	Radio Functions.....	21
No LED Indication.....	14	Time-out Timer (TOT).....	21
Red LED Flashes Rapidly.....	14	Battery Save Mode.....	21
Antenna Information.....	15	Battery Strength Indicator.....	22
Assembly and Disassembly.....	15	Low Battery Alert.....	23
Attaching the Battery.....	15	Busy Channel Lockout (BCL).....	23
Removing the Battery.....	16	Voice Operated Transmit (VOX).....	23
Attaching the Antenna.....	17	Troubleshooting.....	25

**CONTENTS** *continued*

Care and Cleaning.....	26
Optional Accessories.....	27
Glossary.....	32
Warranty Statement.....	33

## SAFETY AND GENERAL INFORMATION

Please observe the following general safety precautions during all phases of operation, service and repair of this equipment.

- » Turn radio off prior entering any area with a potentially explosive atmosphere, such as gas, petroleum, chemicals, blasting caps, etc.
- » Do not charge the battery in a potentially explosive atmosphere.
- » Do not use any portable radio that has a damaged antenna, as it can burn skin.
- » This equipment is to be serviced only by authorized RCA Communications Systems technicians. Any service performed by unauthorized technicians will void the warranty.
- » Turn radio off when near electrical blasting caps to avoid possible interference with blasting operations. Obey posted signs such as those in hospitals or blasting areas advising people to turn off all two-way radios. Obey pilots and flight attendants instructions to turn off radios on airplanes.
- » Do not place a radio over an air bag or in an air bag's deployment area, as the force with which an air bag is inflated could propel the radio and may cause serious injury.
- » Do not place the radio close to a heat source or expose the radio to direct sunlight for a prolonged time.
- » Hold the radio while in use in a vertical position with the microphone one to two inches away from your lips.
- » While wearing a transmitting radio, keep the radio and its antenna at least one inch away from your body.
- » The highest reported SAR value at 50% duty factor are- Face Held:5.60W/Kg, Body-worn: 5.60W/Kg

## PRODUCT INSPECTION

Prior to unpacking the BR250™ portable radio, please inspect the packaging for signs of damage and report any damage or missing components immediately to your RCA Communications Systems Sales and Service Outlet. Every BR250™ portable radio comes with the following items:

Item	Qty.(PCS)
<b>CH250R</b> - Desktop Rapid Charger	1
<b>B250LI</b> - Li-Ion Battery (1700mAh)	1
<b>PS250R</b> - Power Supply	1
<b>BC250</b> - Belt Clip	1
<b>STR250</b> - Handy Carry Strap (prevents dropping the BR250)	1
<b>AN250U</b> - Antenna for UHF Models	1
<b>AN250V</b> - Antenna for VHF Models	1
Instruction Manual	1



**CH250R**  
Desktop  
Rapid Charger



**B250LI**  
Li-Ion Battery (2000mAh)



**PS250R**  
Power Supply



**BC250**  
Belt Clip



**STR250**  
Handy Carry Strap

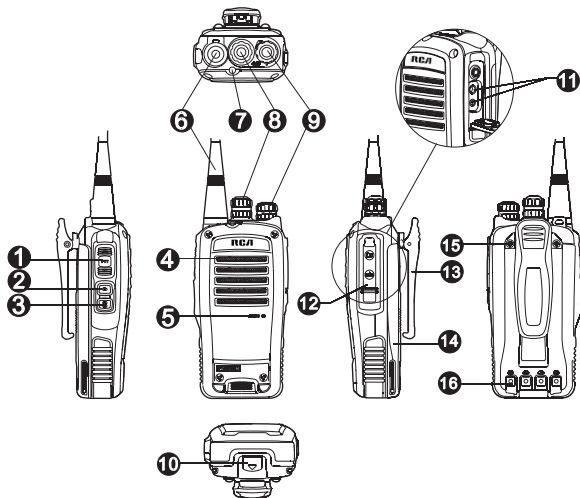


Antenna  
**AN250U** - UHF models  
**AN250V** - VHF models

**Notes:**

The frequency band of the BR250™ is marked on the radio label. If it is not visible, identify the frequency band according to the color circle on the antenna: red indicates UHF and green indicates VHF.

## RCA BR250 Overview



- |  |
|--|
| <b>(1)</b> PTT (Push-to-Talk) key            |
| <b>(2)</b> SK1 (Side Key 1) (programmable)   |
| <b>(3)</b> SK2 (Side Key 2) (programmable)   |
| <b>(4)</b> Speaker                           |
| <b>(5)</b> Microphone                        |
| <b>(6)</b> Antenna                           |
| <b>(7)</b> LED Indicator                     |
| <b>(8)</b> Channel Selector Knob             |
| <b>(9)</b> Radio On-Off/ Volume Control Knob |
| <b>(10)</b> Battery Latch                    |
| <b>(11)</b> Accessory Jack                   |
| <b>(12)</b> Accessory Cover                  |
| <b>(13)</b> Belt Clip                        |
| <b>(14)</b> Battery                          |
| <b>(15)</b> Screw                            |
| <b>(16)</b> Electrode Piece                  |

### **PTT (Push-to-Talk) Key**

Press and hold down the PTT key to transmit, release it to receive.

### **SK1 (Side Key 1)**

Side Key 1 is the programmable key to which your dealer can assign long and short press function. (See Glossary for definitions of long and short press.)

### **SK2 (Side Key 2)**

Side Key 2 is the programmable key to which your dealer can assign long and short press function. (See Glossary for definitions of long and short press.)

### **LED Indicator**

For information on status of LED Indicator and alert tone, see table on **pg. 9** (See Functions and Settings for the detailed operations.)

### **Channel Selector Knob**

Turn the knob to select channels 1 to 16.

### **Radio On-Off/Volume Control Knob**

Turn the knob clockwise to turn the radio on, and turn the knob fully counter-clockwise until it clicks to turn the radio off.

Turn the knob clockwise to increase the volume, or counter-clockwise to decrease the volume. **WARNING!!** Make sure the BR250 is at low volume prior to using any earpiece accessory, and then adjust the volume to a comfortable level. Failing to do so may cause ear damage.

### **Battery Latch**

Use to remove the battery.

### **Accessory Jack**

The jack is used to connect speaker, microphone, external PTT, earpiece, headset, programming cable and cloning cable.



<b>LED Indicator and Alert Tones</b>	
<b>Power Up in User Mode</b>	When the radio is turned on, the power up alert tone will sound. When the current channel is a blank channel, the radio continuously beeps.
<b>Low Battery Alert</b>	LED flashes red and a low-pitched tone sounds at ten second intervals.
<b>Transmitting</b>	LED glows red when transmitting. When TOT timer expires, the radio continuously beeps. TOT pre-alert causes radio to beep.
<b>Receiving</b>	LED glows green when carrier is present.
<b>Scanning</b>	Green LED flashes every second while scanning is in progress. Scan Start Alert Tone (programmable by your dealer): radio beeps. Scan Exit Alert Tone (programmable by your dealer): radio beeps. Priority Channel Scan Alert Tone (programmable by your dealer): if the current channel is the priority channel when scanning, the radio beeps.
<b>Power Adjust</b>	A low-pitched tone sounds when transmit power is adjusted from high to low. A high-pitched tone sounds when transmit power is adjusted from low to high.
<b>VOX</b>	A high-pitched tone sounds when the VOX feature is activated. A low-pitched tone sounds when the VOX feature is disabled.

## BATTERY INFORMATION

### Initial Use

New batteries are shipped from the factory uncharged. Charge a new battery approximately 12 hours prior to initial use (applies to Ni-CD, Ni-MH and Li-Ion batteries charged with slow or rapid rate charger).

NOTE: The Indicator Light will turn GREEN approximately one hour after battery is placed in a Rapid Rate Charger; however, it is strongly recommended the battery charge for 12 hours. This initializes it and allows for the best performance. Maximum battery capacity is normally achieved after two or three full charge / discharge cycles. If battery power runs low, recharge the battery. Batteries that are brand new or that have been stored for an extended period of time (several weeks), may require more time to fully charge.

### Applicable Battery Packs

To reduce the risk of injury, use only batteries specified by RCA Communications Systems.

#### Caution:

1. To avoid risk of personal injury, do not dispose of batteries in a fire.
2. Dispose of batteries according to local recycling regulations. Do not dispose as household waste.
3. Never attempt to disassemble the battery.

#### Battery Tips:

1. When charging a battery, keep it at a temperature between 41°F ~ 104°F (5°C ~ 40°C) to ensure a full charge. Temperatures outside this range significantly reduce battery life.
2. Before charging a battery attached to a radio, turn the radio off to ensure a full charge. Never leave a radio on while it is

in the charger, as it can damage both the battery and the radio; the charger is not a radio stand.

3. Do not cut off the power supply or remove battery while charging.
4. Never charge a battery that is wet. Dry it with soft cloth prior charging.
5. The battery will eventually weaken. When the operating time (talk-time and standby time) is noticeably shorter than normal, replace the battery.

### **Tips To Prolong Battery Life:**

1. Battery performance greatly decreases at temperatures below -4°F (-20°C). Having a spare battery is always necessary in extremely cold environments. A cold battery may work again when it returns to room temperature, so keep it for later use.
2. Dust on the battery contact may cause the battery not to work or charge properly. Use

a clean dry cloth to wipe it before attaching the battery to the radio.

3. Batteries with damaged contacts can be extremely dangerous. Any battery with damage to one or more contacts should be replaced immediately and not used under any circumstances.

### **Battery Storage**

1. Fully charge a battery before storing it for an extended period of time to avoid battery damage due to over-discharge.
2. Recharge a battery after three months storage to avoid reduced battery capacity due to over-discharge.
3. When storing a battery, keep it in a dry place at room temperature.

### **Charging the Battery**

1. When the battery level is very low, recharge it. It is never recommended to completely drain the battery, which may cause your

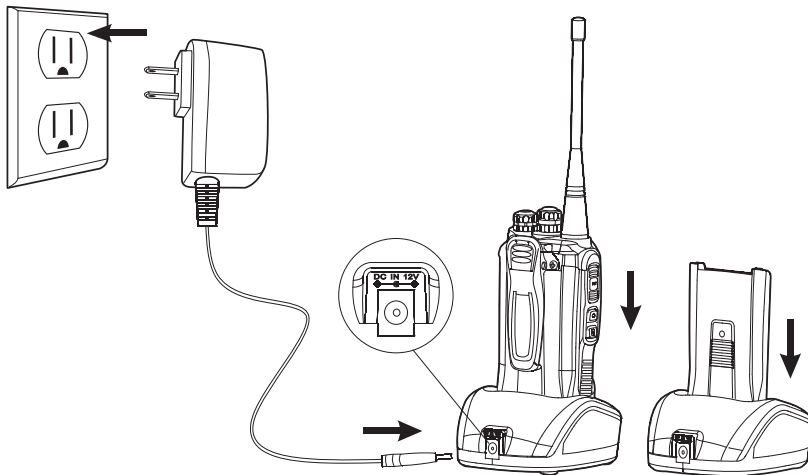
battery to malfunction and no longer accept a charge.

2. Use only chargers specified by RCA Communications Systems. When the charger's LED illuminates red, it is an indication that the battery is being correctly charged. When the LED illuminates green, the battery charge is complete.

Status	Charged LED
<b>Standby (no-load)</b>	Red LED slowly flashes (0.2s on/3s off )
<b>Battery is charging</b>	Red LED solidly glows
<b>Battery is fully charged</b>	Green LED solidly glows
<b>Error</b>	Red LED rapidly flashes (0.2s on/0.2s off)

## Steps for setting up your charger:

1. Plug the adapter's AC connector into the AC outlet socket.
2. Plug the adapter's DC connector into the DC socket on the back of the charger.
3. Place the radio with the battery attached, or the battery alone, in the charger.
4. Make sure the battery contact is touching the charging terminals. The charging process begins when the red LED light illuminates.
5. The green LED light will illuminate approximately one hour later, indicating the battery is fully charged.



## Troubleshooting:

When troubleshooting, always observe the color of the LED:

### No LED Indication

1. Make sure that the power cord is plugged into an appropriate AC outlet.

### Red LED flashes rapidly (0.2s on/0.2s off)

Remove the battery from the charger, and:

1. Make sure that you are using an original RCA Communications Systems battery. Remove power from the battery charger. Clean the charger and the battery's charging contacts using a clean, dry cloth.
2. Make sure the battery temperature isn't above 113°F (45°C)
3. Power up the charger and place the battery back into the charging cup. If the LED indicator continues to flash red, most likely, the battery can no longer be charged and must be replaced. To determine if the

battery requires replacement, place the battery pack into another charger that you know is working properly. If the LED continually flashes red, battery replacement is necessary.

### Notes:

- When the battery charger detects the proper battery conditions, rapid charging begins automatically (steady red LED).
- If the battery temperature is above 113°F (45°C), the charger will report the fault by flashing the red LED rapidly (0.2s on/0.2s off), and will not charge until the battery temperature is below 113°F (45°C) with the red LED changing to solid illumination.

## ANTENNA INFORMATION

- Stubby (3") antennas are ideal for communication within limited range, and standard (6") antennas optimize coverage; the longer the antenna, the better the coverage is. If you use a stubby antenna for convenience instead of a standard length antenna, you can expect approximately a 30% reduction in coverage. When using a two-way radio outdoors, heavy rain, snow, buildings or thick forest can dramatically reduce radio coverage.

## ASSEMBLY AND DISASSEMBLY

### Attaching the Battery

1. Hold the battery and attach it close to the top of aluminum chassis. (Note: Insert tab on top of the battery into the top of battery slot.) See Figure 1.
2. Lightly press the bottom of the battery until

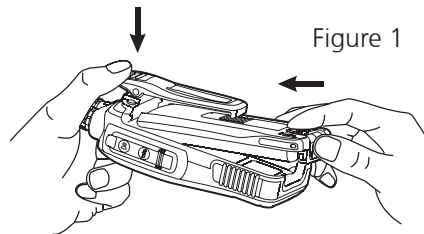


Figure 1

it clicks. This signifies that the battery latch is locked to the main unit and assembly is finished. See Figure 2.

**Note:** If the battery is not securely locked, remove it and reattach it.

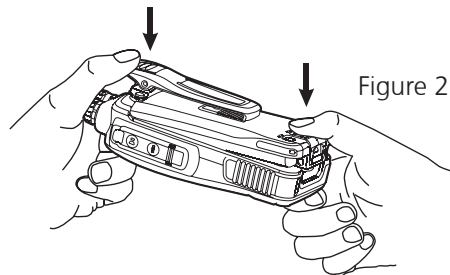
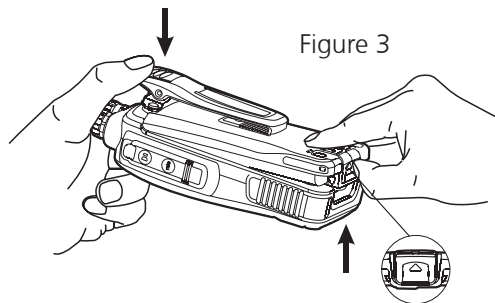


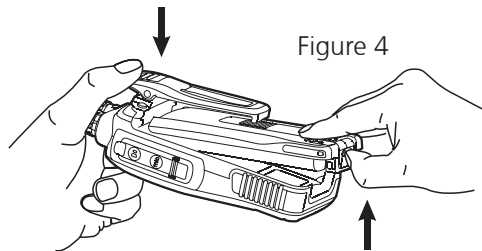
Figure 2

## Removing the Battery

1. First, turn off the radio. Hold the top of radio and press the belt clip to make its tail turn up. Lift the battery latch in the direction of the arrow. See Figure 3.



2. When the bottom of the battery is turned up, release the battery latch and remove the battery. (Note: When the battery is turned up, keep the angle between the battery and main unit small so the battery doesn't get scratched.) See Figure 4.





## Attaching the Antenna

1. Insert the antenna into the big screw thread hole on top of the main unit.
2. Turn the antenna clockwise until it is screwed down as shown in Figure 5 below.

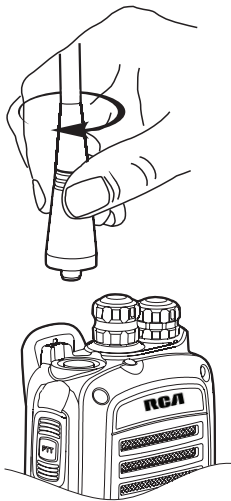


Figure 5

## Removing the Antenna

To remove the antenna, turn it counter-clockwise as shown in Figure 6 below.

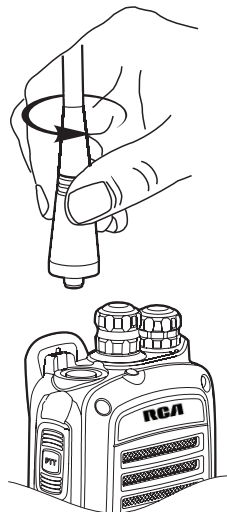


Figure 6

## Attaching/Removing the Belt Clip

1. Using a small screwdriver, remove the screws from the back of the radio's chassis.
2. Align the belt clip's screw holes to the radio's chassis. Turn the screw clockwise into the belt clip's screw holes. See Figure 7 below.

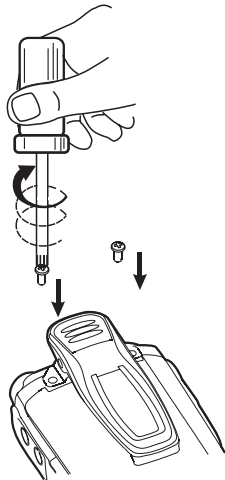


Figure 7-  
Attaching the Belt Clip

3. To remove the belt clip, turn the screwdriver counter-clockwise to loosen the screw. See Figure 8 below.

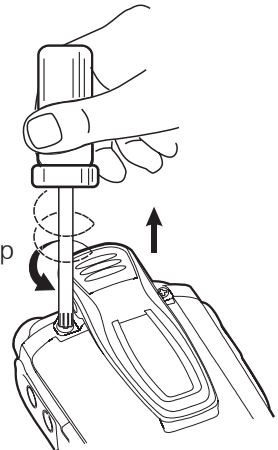


Figure 8-  
Removing the Belt Clip

## Attaching/Removing the Earpiece/ Microphone

1. Open the accessory cover without removing it, as shown in Figure 9.

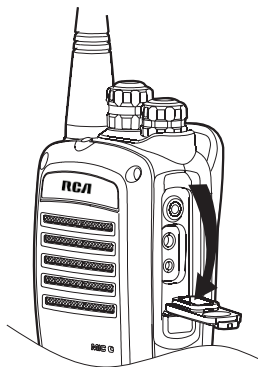


Figure 9

2. Firmly plug the audio accessory into the accessory jack and secure the screw. See Figure 10. **Warning!!** Over-tightening accessories may cause damage to the radio that is not covered under warranty.

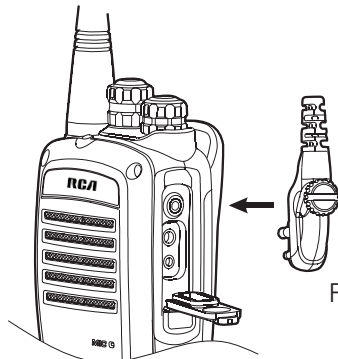


Figure 10

3. To remove the audio accessory from the jack, turn the screw counter-clockwise and remove the accessory.

## GENERAL RADIO OPERATIONS AND FUNCTIONS

### Radio Operations

#### Turn the Radio On/Off

Turn the **radio on-off /volume control** knob clockwise to turn on the radio, and an alert tone will be heard. Turn the **radio on-off / volume control** knob counter-clockwise until it clicks to turn off the radio. See Figure 1.



Figure 1

#### Adjust the Volume

Turn the **volume control** knob clockwise/ counter-clockwise to increase/decrease the volume. See Figure 2.

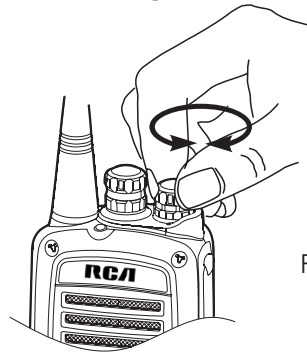
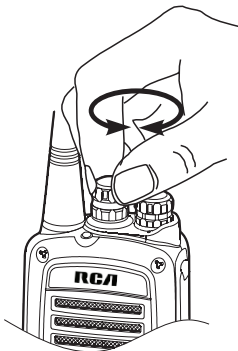


Figure 2

## Select a Channel

Turn the **channel selector** knob to select a channel. See Figure 3.

Figure 3



## Transmitting

To transmit, press and hold down **PTT** key and speak into the microphone. Hold the radio between one and two inches away from your lips (2.5 to 5 centimeters).

## Receiving

To receive signal, release the **PTT** key.

## Radio Functions

**Note:** To simplify operation and ensure maximum performance, the following functions are disabled by default. They can be activated by your authorized RCA Communications Systems dealer for an additional charge.

### Time-out Timer (TOT)

This limits the amount of time the radio user can continuously transmit on a channel. If the user holds down the PTT longer than the preprogrammed limit, the radio automatically stops transmitting and generates a warning tone until the PTT is released.

A dealer may program the alert tone that sounds before the TOT timer nearly expires. See Glossary for the definition of Time-out Timer.

### Battery Save Mode

This feature can be enabled by your dealer. The

Battery Save feature is automatically activated when no activities or operations have been performed (no key press and no knob selection) for an extended period of time.

Pressing any key or receiving a signal will end the Battery Save mode and restore the radio to normal operation. See Glossary for the definition of Battery Save Mode.

### Battery Strength Indicator

The LED light on top of the radio allows you to check the battery status by illuminating lights with different colors. This feature is programmed by your RCA Communications Systems dealer upon request. Please refer to the table below:

Battery Strength	LED Indication
<b>70% - 100%</b>	Green
<b>50% - 70%</b>	Orange
<b>30% - 50%</b>	Red
<b>10% - 30%</b>	LED is unlit when the programmed key is pressed and flashes red while the radio is operating.
<b>Less than 10%</b>	LED is unlit when the programmed key is pressed. While the radio is on standby, LED flashes red and a low-pitched tone sounds at ten second intervals. Pressing the PTT then activates the talk prohibit tone.

### **Low Battery Alert**

For extra convenience, when the battery level is low, the LED flashes red and a low-pitched tone sounds every ten seconds to alert users to recharge the battery.

### **Busy Channel Lockout (BCL)**

Avoid interference with other users on the same channel by preventing transmission if another talkgroup is currently speaking over the air. The radio will generate a continuous tone when the PTT is pressed and will not allow a second transmission to “step-on” the current conversation. Releasing the PTT will cancel the tone.

### **Voice Operated Transmit (VOX)**

You can transmit hands-free with the use of optional accessories. The quality of the transmission and performance of the radio

may be degraded. The radio will automatically begin transmitting when you speak and stop transmitting when you stop. For optimum performance, this feature is not recommended in high noise environments. See Glossary for definition of VOX.

Press the programmed VOX key to activate or turn off the VOX feature and an alert tone sounds accordingly.

Your dealer can enable/disable the VOX feature and set the VOX sensitivity. When the VOX feature is enabled, the user can transmit hands-free with VOX accessories. Note: Usage of non RCA Communications Systems VOX accessories is not recommended!

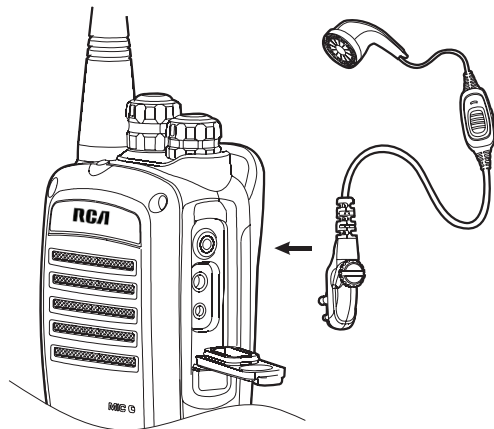
1. Press the programmed VOX key to activate the VOX feature.
2. Select VOX on the PTT/VOX earpiece switch.
3. Plug the earpiece into the accessory jack.

4. Speak into the earpiece microphone, and your voice will be transmitted.

When transmitting with VOX accessories, you may faintly hear your own voice from the VOX earpiece. Press the PTT of your radio to disable the VOX feature. Turn the radio off and on again or plug the earpiece into the accessory jack again to restore the VOX feature.

**Note:** Regardless of whether or not the VOX feature is enabled, if you select PTT on the PTT/VOX earpiece switch, you can transmit by pressing the external PTT. Do not push the switch from PTT to VOX or the radio will continuously transmit. When continuous transmission occurs, push the PTT/VOX switch from VOX to PTT, or activate the radio again to restore the radio to operation use.

Users should always transmit no more than 50% of the using time in VOX and PTT mode. The maximum duty factor supported by hard-ware is 100%.



**Note:** For more information on the accessories that are available for the BR250™, please see the Optional Accessories available on page 26, contact your dealer or visit: [www.dtwr.com/rca](http://www.dtwr.com/rca)



## TROUBLESHOOTING

Symptom	Solution
<b>Cannot power on the radio</b>	<ul style="list-style-type: none"> <li>a. The battery needs charging. Recharge the battery or replace it with a fresh one.</li> <li>b. The battery is not properly installed. Remove the battery and reattach it.</li> </ul>
<b>The operating time is noticeably shorter than normal even though the battery is properly charged.</b>	<ul style="list-style-type: none"> <li>a. The battery has worn out; it is time to buy a new battery.</li> <li>b. The battery is not fully charged. Make sure that the battery is removed after LED indicator has turned green.</li> </ul>
<b>Cannot talk to or hear group members</b>	<ul style="list-style-type: none"> <li>a. Make sure that your radio operates on the same frequency and has the same CTCSS/CDCSS settings as your group members.</li> <li>b. Make sure you are within their communication range.</li> </ul>
<b>Hear non-group members</b>	Please change your CTCSS/CDCSS settings and have your group members do so, also.
<b>No voice or low voice while transmitting</b>	<ul style="list-style-type: none"> <li>a. Turn the volume control knob to its maximum volume.</li> <li>b. Return the radio to your dealer to check for microphone damage.</li> </ul>

## CARE AND CLEANING

- Do not directly handle the radio by its antenna or external microphone.
- Do not place the radio in a dusty or dirty environment.
- Clean the radio with a lint-free cloth moistened with clean water and/or a mild dishwashing liquid to remove dirt, grease, and dust.
- Avoid subjecting the radio to corrosives, solvents or spirits.

## Optional Accessories



Stubby Antenna

**AN250SU** – UHF

**AN250SV** - VHF

More compact and convenient than the standard antenna, but reduces coverage by approximately 30%.



Multi-Unit Rapid-Rate Charger

**CH250R6**

More convenient and saves space by using one power outlet for 6 radios.



Heavy Duty, Remote Speaker Microphone

**SM250L**

No need to remove the radio from your waist, which prevents radio damage or loss.

## Optional Accessories *continued*



Light Duty, Remote Speaker Microphone  
**HMN250M**

Lighter and more compact than the heavy duty microphone but with the same benefits.



Professional Receive-Only Earpiece w/ Transparent  
Acoustic Tube *(for use with remote speaker microphones)*  
**LOE250SC**

Lightweight earpiece for use with speaker mics and when transmitting is not necessary.



Economy Receive-Only Earpiece  
*(for use with remote speaker microphones)*  
**LOE250EH**

Same functions as the professional earpiece but at economical price.

**Optional Accessories** *continued*

Ear-Hook Style Earpiece with Microphone PTT  
**BDN6105EH**

Serves the same function as the professional surveillance kit at an economical price.



Surveillance Kit with Palm Mic and In-Line PTT  
**BDN7203A**

Professional, high quality earpiece ideal for radio users requiring discreet communication.



Lightweight Over-The-Head Headset with In-line PTT  
**HS250LWH**

Durable and inexpensive. Perfect for retail stores, restaurants and bars.

**Optional Accessories** *continued*

Heavy Duty, Over-The-Head Headset

**H0500D**

For use in high noise environments such as airports, race tracks and manufacturing plants (-24dB noise reduction).



Heavy Duty, Behind-the-Head Headset

**H4500D**

When a hard hat is necessary in high noise environments.



Leather Holster (*fixed or swivel clip*)

**HL250C**

More durable and stronger than Nylon. Offers the best protection for your BR250™ radio.

**Optional Accessories** *continued*

Nylon Holster (*fixed or swivel clip*)

**HN250C**

Prevents loss and prolongs your radio life by preventing unnecessary drops and abuse.



Waterproof Bag

**HNWPBG**

Protect your BR250™ radio when working around water.



Chest Pack

**CHEST-A**

For those applications when securing the BR250™ radio to your waist is not possible.

## GLOSSARY

**Short Press** - Key press shorter than 1.5 seconds

**Long Press** - Key press longer than 1.5 seconds

**Standby Status** - In normal mode, no key operation is made on the radio and the radio is in receiving status.

**CTCSS/CDCSS** - The setting of CTCSS/CDCSS code in transmitting party must match that in the receiving party for the receiver to unmute its output audio.

**Battery Save** - The function is to save battery power and prolong the operation time. Once no activity or operations are occurring on the channel, the radio will be on and off alternately.

**Time-out Timer (TOT)** - The time-out timer feature stops someone from talking too long and tying up the channel.

**Squelch** - The purpose of squelch is to mute audio output from the speaker when no signals are present. Open the squelch to unmute radio speaker.

**Squelch Off** - Always unmute speaker to receive audio as well as background noise.

**Monitor** - Carrier condition must be satisfied for the radio to unmute to an incoming call, regardless of CTCSS/CDCSS condition.

*continued >*



## **GLOSSARY** *continued*

**Momentary** - Hold down the Function key to activate the status, and release it to turn it off.

**Scan** - The scan feature enables the radio to continuously scan each channel for activity.

**Busy Channel Lockout** - Avoid interference with users on same channel by preventing transmission if another talkgroup is already on the air.

**VOX** - The radio will automatically begin transmitting when you speak.

## **WARRANTY STATEMENT**

RCA Communications Systems warrants each new radio product it supplies to be free from defects in material and workmanship under normal use and service for the time period listed below, provided that the user has complied with the requirements stated herein.

The warranty period begins on the date of purchase from an Authorized RCA Communications Systems Sales and Service Outlet. This warranty is offered to the original end user and is not assignable or transferable. RCA Communications Systems is not responsible for any ancillary equipment which is attached to or used in conjunction with RCA Communications Systems products.

RCA Communications Systems offers to the original end user a Two (2) Year Limited Warranty on the RCA BR250™ Radio Handset. The BR250™ Antenna, BR250™ Battery and the BR250™ Battery Charger are covered under a One (1) Year Limited Warranty. The BR250™ Belt Clip is not covered under the warranty.

During this period, if the product fails to function under normal use because of manufacturing defect(s) or workmanship, it should be returned to the Authorized RCA Communications Systems Sales and Service Outlet from which it was purchased. The Sales and Service Outlet will repair the product to full operating specifications or replace the product with a new product of the same make and model. The user is responsible for all charges incurred in returning the product to the Authorized RCA Communications Systems Sales and Service Outlet. RCA Communications Systems will be responsible for all charges in returning the product to the end user via standard ground shipping service.

RCA Communications Systems shall have no obligation to repair or replace the product, if there is damage as a result of normal wear and tear or if the damage is caused in whole or in part by catastrophe, fault or negligence of the user, improper or unauthorized alterations or repairs to the product, incorrect wiring, use of the product in a manner for which it was not designed, or by causes external to the product. This warranty is void if the product serial number is altered, defaced or removed.

THE EXPRESS WARRANTIES CONTAINED HEREIN ARE IN LIEU OF ALL OTHER WARRANTIES, EITHER EXPRESSED OR IMPLIED OR STATUTORY, INCLUDING, WITHOUT LIMITATION, ANY WARRANTY OF MERCHANTABILITY OR FITNESS FOR A PARTICULAR PURPOSE.

FOR ANY PRODUCT WHICH DOES NOT COMPLY WITH THE WARRANTY SPECIFIED, THE SOLE REMEDY WILL BE REPAIR OR REPLACEMENT. IN NO EVENT WILL RCA COMMUNICATIONS SYSTEMS BE LIABLE TO THE BUYER OR ITS CUSTOMERS FOR ANY DAMAGES, INCLUDING ANY SPECIAL, INCIDENTAL, INDIRECT OR CONSEQUENTIAL DAMAGES, OR THE LOSS OF PROFIT, REVENUE OR DATA ARISING OUT OF THE USE OR THE INABILITY TO USE THE PRODUCT.

RCA Communications Systems endeavors to achieve the accuracy and completeness of this manual, but is not liable for any possible omission and printing mistakes.

All the above specifications and design are subject to change without prior notice.

All the reproduction and translation of this manual without authorization is prohibited.

In this manual, we strive to achieve accuracy and completeness, but provide no warranty of accuracy or reliability. All the above specifications and design are subject to change without notice due to continuous development.

No part of this manual may be copied, reproduced, translated, stored in a retrieval system, distributed, or transmitted in any form or by any means, electronic or mechanical, for any purpose without the expressed, written permission from RCA Communications Systems.

The end-user of any two-way radio is solely responsible for obtaining any license or other authorizations required by the Federal Communications Commission (FCC). For further information visit [www.fcc.gov](http://www.fcc.gov) or call 1-888-CALL-FCC (1-888-225-5322).

For Sales, Warranty and Customer Support please contact:

Discount Two-Way Radio Corporation – North American Distributor

1430 240th Street

Harbor City, CA 90710

Phone: 310-224-5100 / Fax: 310-224-5101

[www.discounttwo-wayradio.com](http://www.discounttwo-wayradio.com)