

**PORTABLE STEREO  
WITH AM/FM STEREO,  
CD PLAYER AND  
CASSETTE RECORDER**



**RCA**

**RP-7982**

**RP-7986**

**RP-7989**

# FCC INFORMATION

This device complies with Part 15 of the FCC Rules. Operation is subject to the following two conditions: (1) This device may not cause harmful interference, and (2) this device must accept any interference received, including interference that may cause undesired operation.

In accordance with FCC requirements, changes or modifications not expressly approved by Thomson Consumer Electronics could void the user's authority to operate this product.

This device generates and uses radio frequency (RF) energy, and if not installed and used properly, this equipment may cause interference to radio and television reception.

If this equipment does cause interference to radio or television reception (which you can determine by turning the equipment off and on), try to correct the interference by one or more of the following measures:

- Reorient the receiving antenna (that is, the antenna for the radio or television that is "receiving" the interference).
- Move the unit away from the equipment that is receiving interference.
- Plug the unit into a different wall outlet so that the unit and the equipment receiving interference are on different branch circuits.

If these measures do not eliminate the interference, please consult your dealer or an experienced radio/television technician for additional suggestions. Also, the Federal Communications Commission has prepared a helpful booklet, "How To Identify and Resolve Radio TV Interference Problems." This booklet is available from the U.S. Government Printing Office, Washington, DC 20402. Please specify stock number 004-000-00345-4 when ordering copies.

This product complies with DHHS Rules 21 CFR Subchapter J. Applicable at the date of manufacture.

## PRECAUTIONS

- **Never open the cabinet under any circumstances.** Never operate this product with the cabinet removed. Any repairs or internal adjustments should be made only by a trained service technician.
- **Do not touch the player with wet hands.** If any liquid enters the player cabinet, take the player to a trained service technician for inspection.
- **This Compact Disc Player uses a laser to read the music on the disc.** The laser mechanism corresponds to the cartridge and stylus of a traditional record player. Although this product incorporates a laser pick-up lens, it is completely safe when operated according to directions.

## HEADSET SAFETY

- **Do not play your headset at a high volume.** Hearing experts advise against continuous extended play.
- If you experience a ringing in your ears, reduce volume or discontinue use.
- You should use extreme caution or temporarily discontinue use in potentially hazardous situations.
- Even if your headset is an open-air type designed to let you hear outside sounds, don't turn up the volume so high that you can't hear what's around you.

## SERVICE INFORMATION

This product should be serviced only by those specially trained in appropriate servicing techniques.

## FOR YOUR RECORDS

In the event that service should be required, you may need both the Model number and the serial number. In the space below, record the date and place of purchase, and the serial number:

Date of Purchase \_\_\_\_\_

Place of Purchase \_\_\_\_\_

Serial No. \_\_\_\_\_

**WARNING:** TO PREVENT FIRE OR ELECTRICAL SHOCK HAZARD, DO NOT EXPOSE THIS PRODUCT TO RAIN OR MOISTURE.

	<b>CAUTION</b> RISK OF ELECTRIC SHOCK DO NOT OPEN	
THE LIGHTNING FLASH AND ARROW HEAD WITHIN THE TRIANGLE IS A WARNING SIGN ALERTING YOU OF DANGEROUS VOLTAGE INSIDE THE PRODUCT.	CAUTION: TO REDUCE THE RISK OF ELECTRIC SHOCK, DO NOT REMOVE COVER (OR BACK). NO USER-SERVICEABLE PARTS INSIDE. REFER SERVICING TO QUALIFIED SERVICE PERSONNEL.	THE EXCLAMATION POINT WITHIN THE TRIANGLE IS A WARNING SIGN ALERTING YOU OF IMPORTANT INSTRUCTIONS ACCOMPANYING THE PRODUCT.
SEE MARKING ON BOTTOM / BACK OF PRODUCT		

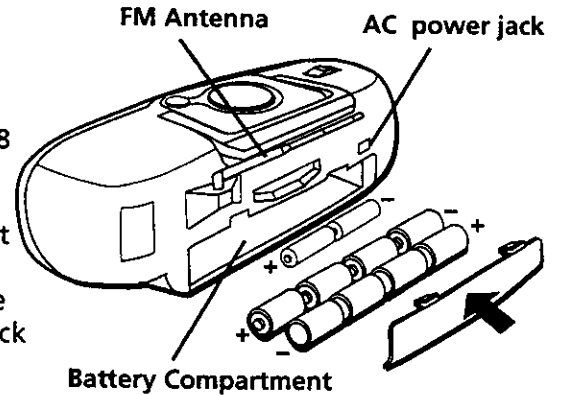
# FIRST THINGS FIRST

## POWERING UP

This portable stereo operates on battery or AC power.

### BATTERY POWER

Insert 2 AA-sized alkaline batteries (not supplied) in the battery compartment as tuner preset backup power. Then, insert 8 D-sized alkaline batteries (not supplied) and you can take your stereo just about anywhere. Open the battery compartment door on the back of the unit by pressing down on the two tabs and pulling out the cover. Insert batteries as shown on the back of the unit.



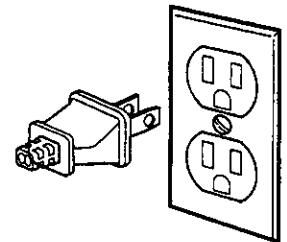
### Important Battery Information

- If you're not going to use your player for a month or more, be sure to remove batteries because they can leak and cause damage.
- Dispose of batteries in the proper manner, according to federal, state, and local regulations.
- Any battery may leak electrolyte if mixed with a different battery type, if inserted incorrectly, if all batteries are not replaced at the same time, if disposed of in fire, or if an attempt is made to charge a battery not intended to be recharged.
- Discard leaky batteries immediately. Leaking batteries can cause skin burns or other personal injury.

### AC POWER

Plug the power supply cord into the AC power jack on the back of the unit, and into an AC power outlet that accepts the polarized plug (one blade wider than the other).

Can't find the AC power cord? Look in the battery compartment on the back of the unit.



### For Your Safety

The AC power plug is polarized (one blade is wider than the other) and only fits into AC power outlets one way. If the plug won't go into the outlet completely, turn the plug over and try to insert it the other way. If it still won't fit, contact a qualified electrician to change the outlet, or use a different one. **Do not attempt to bypass this safety feature.**

### ANTENNAS

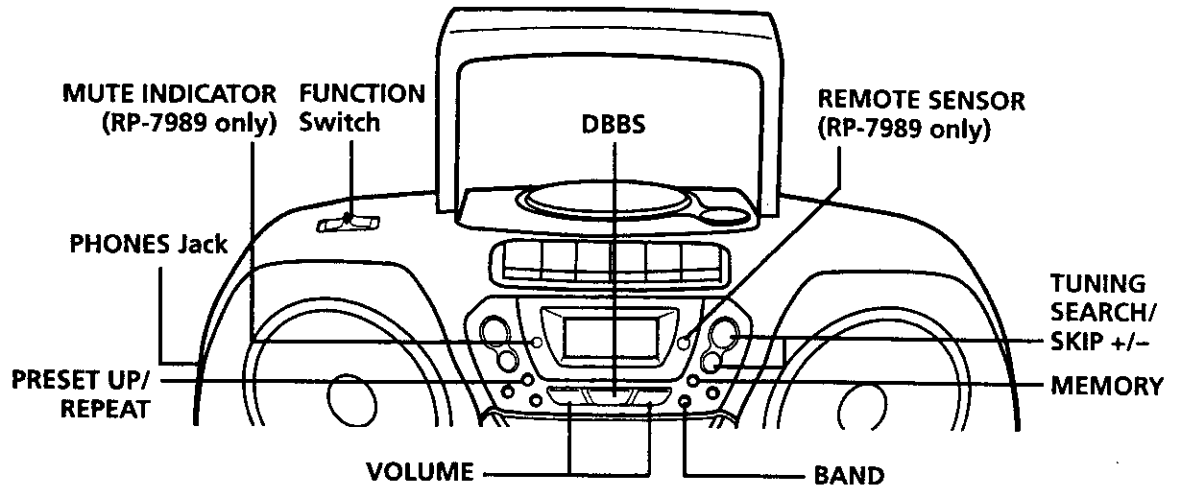
The AM antenna is built in, so adjusting the position of the unit may help AM reception.

The FM whip antenna on the back of the unit can be extended and rotated for better FM reception.

### HEADPHONES (STANDARD ACCESSORY FOR RP-7982)

To listen to your stereo with headphones (not included), use the 3.5mm PHONES jack on the back of the unit.

# GENERAL CONTROLS



**PHONES JACK** – Use the stereo headphone jack to listen privately to your favorite radio station, tapes, or CDs.

**FUNCTION SWITCH** – Move the switch to select which part of the portable stereo you want to use : RADIO, TAPE, or CD. To turn the unit off, move the function switch to tape position with no cassette button depressed.

**VOLUME** – Press the right button to increase the volume. Press the left button to decrease the volume.

**DYNAMIC BASS BOOST SYSTEM (DBBS)** – Turn on DBBS by pressing button for enhanced bass effect. Turn off DBBS by pressing button until the “BASS BOOST” disappears from the display.

**BAND** – Change the band to select FM or AM.

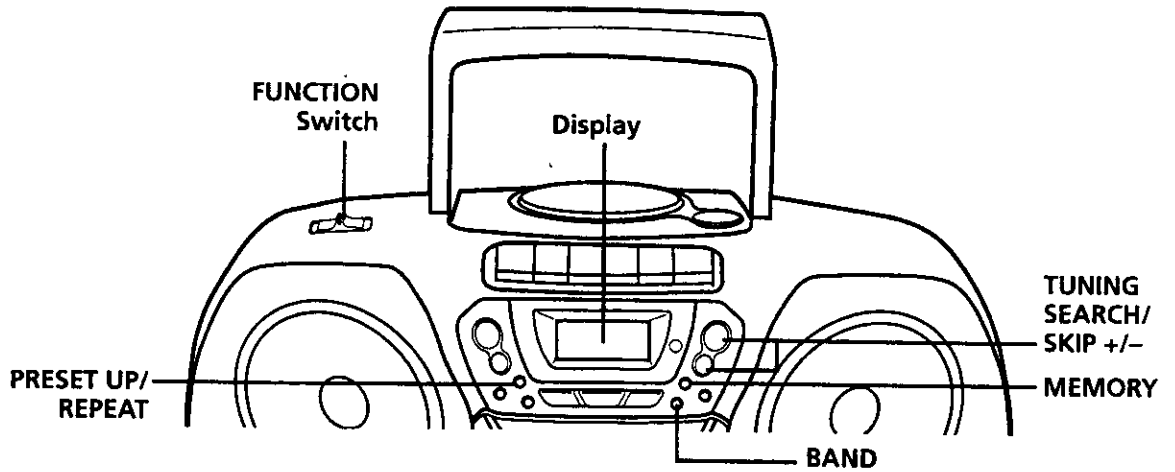
**PRESET UP/REPEAT** – Select the preset stations.

**MEMORY** – Storing a radio station in memory. 10 FM and 10 AM preset stations can be stored in memory.

**TUNING SEARCH/SKIP +/-** – Press to tune in to desired radio station.

**MUTE INDICATOR (RP-7989 only)** – Turn on when unit is muted by remote control, sound output is cut.

# USING THE RADIO



## TUNING IN RADIO STATIONS

1. Move the FUNCTION switch to RADIO to turn the radio on.
2. Press BAND button repeatedly to select AM or FM.
3. Press TUNING SEARCH/SKIP buttons until the desired station frequency is located.
4. In FM mode, the word "STEREO" will be shown in display when FM stereo broadcast received.

**Note:** For FM reception the telescopic aerial must be fully extended, AM stations broadcast in mono only.

## SEEK TUNING

1. Keep pressing TUNING SEARCH/SKIP buttons for more than 1 second.
2. The radio will then seek the next receivable station.

**Note:** The unit will only pick up strong stations. For weaker stations the manual tuning method should be used.

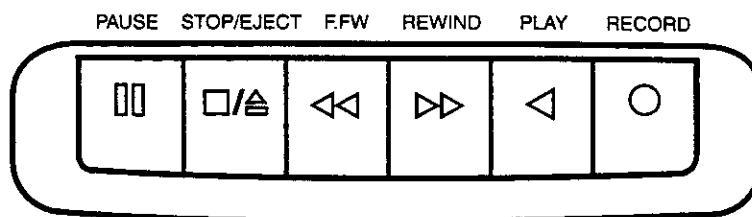
## STORING RADIO STATIONS IN MEMORY

1. Select the required band and tune to the station to be memorized.
2. Press the MEMORY button, the word "MEMORY" will flash in the display.
3. Press the PRESET UP/REPEAT button to select the required preset location.
4. Press the MEMORY button again, the station is now stored in your selected preset location. The word "MEMORY" disappears from the display.

## RECALLING PRESET STATIONS

1. Select the required band.
2. Press the PRESET UP/REPEAT button until the required preset number is located.

# USING THE CASSETTE DECK



## UNDERSTANDING THE BUTTONS

**RECORD ●** – Press to record from the radio or CD player.

**PLAY ◀** – Press to play cassettes.

**REWIND ▶▶** – From stop mode, press to rewind the tape toward the beginning.

**F.FWD ◀◀** – From stop mode, press to advance the tape toward the end.

**STOP/EJECT ■/▲** – Press to stop current tape activity, or to open the cassette compartment door when no buttons are active.

**PAUSE ||** – Press to interrupt tape play or record mode. Press a second time to resume tape play or tape record mode.

## PLAYING A CASSETTE TAPE

1. Move the FUNCTION switch to TAPE.
2. Press STOP/EJECT ■/▲ to open the cassette compartment door.
3. Insert cassette tape into the compartment with the open edge facing up and the full reel on the right.
4. Close the door securely.
5. Press REWIND ▶▶ or F.FWD ◀◀ to move tape to the desired starting point.
6. Press PLAY to begin playing the tape.
7. Press VOLUME and DBBS buttons to desired listening level.

## AUTOMATIC STOP FEATURE

When the cassette deck is operating in play or record mode and the end of the tape is reached, the unit automatically shuts itself off and returns all buttons to the off position.

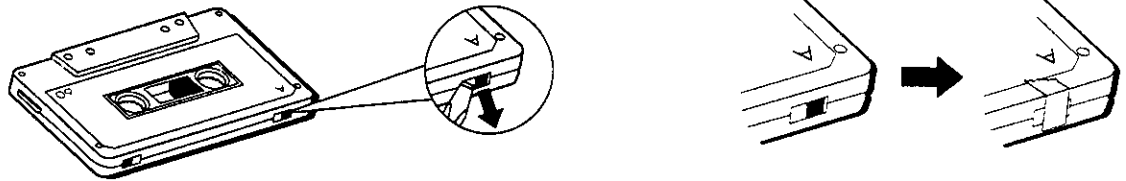
## RECORDING ON CASSETTE TAPES

You can record from the radio or the CD player.

For best recording, use normal bias tape (Type I only).

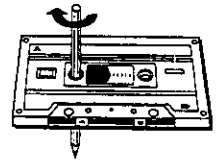
## ERASE PROTECTION

When you record new material, the cassette deck records over whatever is on a tape. To protect a tape from accidental erasure, break off one or both plastic tabs (one for each tape side) on the top of the cassette tape. If you decide later to record on the tape, seal the hole with a piece of cellophane tape.



### Quit Slacking

A little bit of slack in your tapes can cause scratches on the tape, or worse yet, the tape could break. If you notice some slack in the tape, use a pencil to tighten it up before you insert it.



## RECORDING FROM THE RADIO

1. Insert a cassette tape into the tape deck and close door.
2. Move the FUNCTION switch to RADIO and select a radio station.
3. Press RECORD to begin recording. RECORD ● and PLAY ◀ lock down.
4. Press STOP/EJECT ■/▲ to end recording.
5. To turn off radio, slide SWITCH to TAPE.

## RADIO RECORDING TIPS

- To temporarily pause the recording, press PAUSE on the cassette deck. Press Pause again to resume recording.

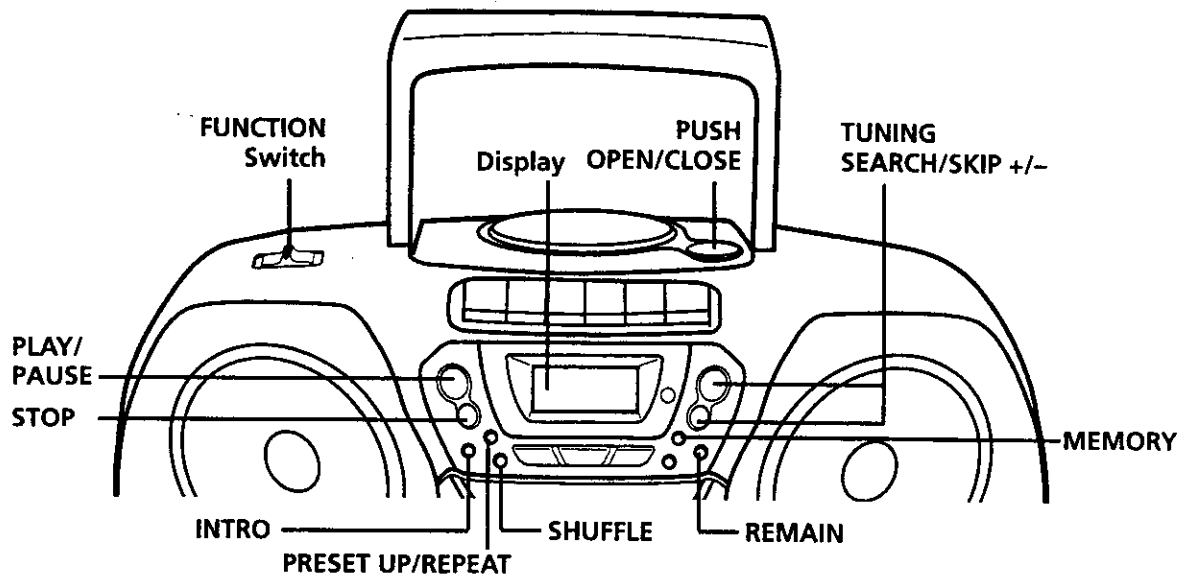
## RECORDING FROM CDS

1. Insert a blank cassette tape into the tape deck.
2. Move the FUNCTION switch to CD.
3. Insert a CD and select the first track you want to record.
4. Press RECORD ● and the PLAY ◀ button will automatically engage, the CD will also start to play automatically.
5. Press PAUSE || to interrupt or edit recording. Press the second time to resume recording.
6. Press STOP/EJECT ■/▲ to end recording.

### Pause for a Moment

Using the PAUSE || button on the cassette deck instead of the STOP/EJECT button to momentarily interrupt recording gives you a much cleaner recording.

# USING THE CD PLAYER



## UNDERSTANDING THE BUTTONS

**PRESET UP/REPEAT** – Repeat one track or all tracks.

**REMAIN** – Press for remaining play time of CD. Press again for CD playing time.

**MEMORY** – Store up to 20 tracks for programmed play.

**STOP ■** – Stops the CD from playing.

**SHUFFLE** – Plays a random track from CD.

**TUNING SEARCH/SKIP** ◀◀ or ▶▶ – Skip down or skip up through tracks on a disk.

**PLAY/PAUSE** ▶|| – Play or pause the CD.

**INTRO** – In CD stop mode, press to play 10 seconds from each track.

## LOADING A CD

1. Move the **FUNCTION** switch to CD. "DISC" appears in the display if no CD is loaded.
2. Press **PUSH OPEN/CLOSE** to open the CD door.
3. Place a CD into the tray with the label facing up.
4. Close the CD door. The total play time and total number of tracks will appear in the display.
5. To remove the CD, press **PUSH OPEN/CLOSE**, grasp the CD by its edges, and carefully pull it out.

## PLAYING A CD

1. Press PLAY/PAUSE ►|| button to play all the tracks in order, starting with Track 1. The current track number appears in the display.

**Note:** Press PLAY/PAUSE ►|| button to temporarily stop the CD. The playing time flashes in the display. Press PLAY/PAUSE ►|| button again to resume playing the CD.

2. Adjust VOLUME to a comfortable level.
3. Press STOP ■ to stop playing the CD before all tracks have played. Wait a few seconds for the CD to stop turning, then press PUSH OPEN/CLOSE to open the CD compartment door and remove the CD.

## AUTOMATIC SEARCH

Automatic search lets you quickly locate the beginning of any track on the CD, including the track currently playing.

When the CD is playing:

- Press TUNING SEARCH/SKIP ◀◀ buttons to skip to the beginning of the previous track.
- Press TUNING SEARCH/SKIP ▶▶ buttons to skip to the beginning of the next track.

If the CD is stopped, press TUNING SEARCH/SKIP ◀◀ or ▶▶ buttons repeatedly until the display shows the track number of the track you want to play, then press PLAY/PAUSE ►||. The CD player will start playing the selected track.

**Note:** At the beginning of a CD, you can only search forward. At the end of a CD, you can only search backward.

## TRACK SEARCH

- In PLAY or PAUSE mode, press and hold TUNING SEARCH/SKIP ▶▶ button to move forward through a track at high speed.
- In PLAY or PAUSE mode, press and hold TUNING SEARCH/SKIP ◀◀ button to move backward through a track at high speed.

## INTRODUCTION PLAY

To have an introduction of the CD, press the INTRO button. This mode then plays 10 seconds of each track of the CD. In INTRO mode, "INTRO" appears in the display. This mode can be switched off by pressing the INTRO or STOP ■ button.

## SHUFFLE PLAY

If pressing this key, the tracks of a CD will be played in random order. If SHUFFLE is pressed during STOP mode it will start playing in SHUFFLE mode. In SHUFFLE mode, "SHUFFLE" appears in the display. The SHUFFLE mode can be switched off by pressing the SHUFFLE or STOP button. It can also be switched off by opening the CD door.

## REPEAT

The PRESET UP/REPEAT button allows you to repeat one track or all tracks.

1. Press the PRESET UP/REPEAT button once to repeat the entire disk (continuous play). The display will show REPEAT.
2. Press the PRESET UP/REPEAT button twice to repeat only the current track. The display will show a blinking REPEAT.
3. To stop repetition, press the PRESET UP/REPEAT button until REPEAT does not show in the display or press the STOP ■ button.

The following chart illustrates how REPEAT works in various modes.

<b>Play Mode:</b>	Repeat 1 replays current track	Repeat All replays entire CD
<b>Shuffle Mode:</b>	Repeat 1 replays current track	Repeat All replays entire CD in a different shuffle sequence

## PROGRAM PLAY

1. Press MEMORY button once to go into program input mode. The display will show a blinking *TRACK MEMORY* and *00 P-01*.
2. Press the TUNING SEARCH/SKIP ◀◀ or ▶▶ to select a track, then press MEMORY button to store in memory.
3. Repeat step 2 to store more tracks. Up to 20 tracks can be stored. When all programming done, wait for 10 seconds. The unit will leave program input mode and your favorite tracks will be stored automatically.
4. To start PROGRAM PLAY, press MEMORY button once to go into program input mode, then press PLAY/PAUSE button to start.
5. To clear the program, press STOP button while in program input mode or select other function.

# CARE AND MAINTENANCE

## CLEANING THE EXTERIOR

- Disconnect the system from AC power before cleaning the exterior of the unit with a soft dust cloth.

## HANDLING CDS

- Do not touch the signal surfaces. Hold CDs by the edge, or by one edge and the hole.
- Do not affix labels or adhesive tape to the label surfaces. Also, do not scratch or damage the label.
- Discs rotate at high speeds inside the player. Do not use damaged (cracked or warped) discs.

## CLEANING CDS

- Dirty discs can cause poor sound quality. Always keep discs clean by wiping them gently with a soft cloth from the inner edge toward the outer perimeter.
- If a disc becomes dirty, wet a soft cloth in water, wring it out well, wipe the dirt away gently, and then remove any water drops with a dry cloth.
- Do not use record cleaning sprays or antistatic agents on disc. Also, never clean discs with benzene, thinner, or other volatile solvents which may cause damage to the disc surface.

## TAPE CARE

- Do not expose tapes to sunlight or store in hot places. High temperatures may warp the shell or damage the tape.
- Keep cassettes in their boxes when not in use.
- Cassette tapes can be erased by magnetic fields produced by magnets, electric motors, electrical transformers, and other devices. Keep tapes away from magnets and magnetic fields.

## CLEANING THE TAPE HEADS

Iron oxide particles from the magnetic tape can build up on the parts that come in contact with the tape. These deposits can cause incomplete erasure, muffled playback sound, and might prevent automatic stop.

To clean a cassette deck, open the compartment door, push the PLAY button and gently clean the heads, capstan, and pinch wheel with a head cleaner.

Always unplug the power cord before cleaning, and allow 30 minutes drying time when using a liquid cleaner.

Clean heads after every 25 hours of use.

- Demagnetize the head occasionally with a head demagnetizing cassette (available from many audio equipment stores).
- Never use any metal objects on or near the tape heads.  
Do not allow any cleaning material to fall into the tape assembly.

# TROUBLESHOOTING TIPS

<i>Problem</i>	<i>Solution</i>
System does not turn on	<ul style="list-style-type: none"> <li>• Make sure power cord is securely plugged into the AC power outlet (or that the batteries are fresh).</li> <li>• Unplug the unit for a moment, and then plug it back in.</li> <li>• Check the outlet by plugging in another device.</li> </ul>
No sound	<ul style="list-style-type: none"> <li>• Adjust volume setting.</li> <li>• Make sure you have selected the correct function: CD, TAPE, or RADIO</li> <li>• Make sure MUTE indicator is off.</li> </ul>
Poor radio reception	<ul style="list-style-type: none"> <li>• Adjust the FM whip antenna for better FM reception.</li> <li>• Rotate the unit to achieve better AM reception.</li> <li>• Try turning off electrical appliances near the unit, such as hair dryers, vacuum cleaners, or fluorescent lights.</li> </ul>
CD doesn't play	<ul style="list-style-type: none"> <li>• Make sure the tray contains a CD.</li> <li>• Make sure that CD's label is facing up.</li> <li>• Make sure that Pause mode is not activated.</li> <li>• Make sure CD function is selected.</li> </ul>
CD sound skips	<ul style="list-style-type: none"> <li>• Clean the CD (as explained in "Care and Maintenance").</li> <li>• Check CD for warping, scratches, or other damage.</li> <li>• Check for vibration or shock that may affect the unit; move system if necessary.</li> </ul>
Distorted or noisy recordings	<ul style="list-style-type: none"> <li>• Inspect the recording head and clean it if necessary.</li> <li>• Demagnetize recording head (as explained in "Care and Maintenance").</li> </ul>
Record button will not depress	<ul style="list-style-type: none"> <li>• Tabs on the edge of the cassette might be missing or broken. If you want to record on that cassette, cover the holes with cellophane tape.</li> </ul>
Remote no function (RP-7989 only)	<ul style="list-style-type: none"> <li>• Make sure batteries are correctly installed.</li> <li>• The batteries are exhausted, replace all batteries.</li> <li>• Too far away from unit or some obstacles between the remote and the main unit.</li> </ul>

# USING THE REMOTE CONTROL (RP-7989 ONLY)

## GENERAL CONTROLS

**[MUTE]** Sets the volume to zero. In this mode, MUTE indicator will be turned on. To off this mode, press MUTE button again.

**[BASS BOOST]** Turns on DYNAMIC BASS BOOST SYSTEM (DBBS).

**[VOLUME]** Pressing + key increases the volume. Pressing - key decreases the volume.

## CD CONTROLS

**[PRESET UP/REPEAT]** Repeats one track or all tracks. See section "Using the CD Player" for more details.

**[MEMORY]** Store up to 20 tracks for programmed play.

**[TUNING + >>> / TUNING - <<<]** Skips down or up through tracks on a CD. See section "Using the CD Player" for more details.

**[REMAIN]** Press for remaining play time of CD. Press again for CD playing time.

**[STOP ■]** Stops the CD.

**[PLAY/PAUSE ▶||]** Plays or pauses the CD.

**[INTRO]** Plays a few minutes from each track. See section "Using the CD Player" for more details.

**[SHUFFLE]** Plays a random track from CD. See section "Using the CD Player" for more details.

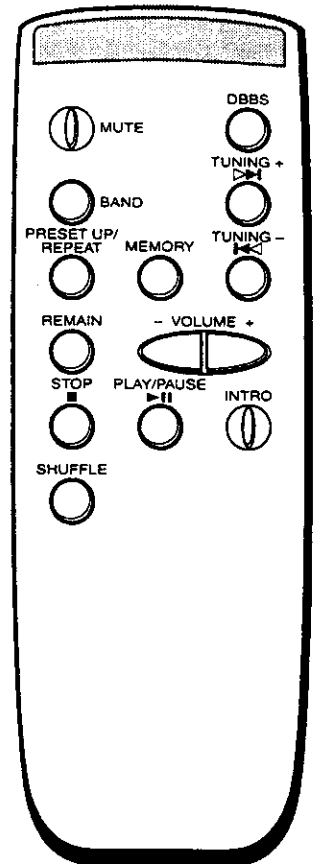
## RADIO CONTROLS

**[BAND]** Changes the band to select FM or AM.

**[PRESET UP/REPEAT]** Selects the preset stations.

**[MEMORY]** Stores a radio station in memory. See section "Using the Radio" for more details.

**[TUNING + >>> / TUNING - <<<]** Press to tune in desired radio station. See section "Using the Radio" for more details.



# LIMITED WARRANTY

## **What your warranty covers:**

- Any defect in materials or workmanship.

## **For how long after your purchase:**

- One year.

(The warranty for rental units begins with the first rental.)

## **What we will do:**

- Provide you with a new, or at our option, a refurbished unit.
- The exchange unit is under warranty for the remainder of the original product's warranty period.

## **How to make a warranty claim:**

- Properly pack your unit. Include any cables, etc., which were originally provided with the product. We recommend using the original carton and packing materials.
- Include in the package evidence of purchase date such as the bill of sale. Also print your name and address and a description of the defect. Send standard UPS or its equivalent to:

Thomson Consumer Electronics  
Product Exchange Center  
11721B Alameda Ave.  
Socorro, Texas 79927

- Insure your shipment in case of loss or damage. Thomson assumes no liability in the case of damage or loss.
- Pay any charges billed to you by the Exchange Center for service not covered by the warranty.
- A new or refurbished unit will be shipped to you prepaid freight.

## **What your warranty *does not* cover:**

- Customer instruction. (Your Owner's Manual provides information regarding operating instructions and user controls. For additional information, ask your dealer.)
- Installation and set-up service adjustments.
- Batteries.
- Damage from misuse or neglect.
- Products which have been modified or incorporated into other products.
- Products purchased or serviced outside the USA.
- Acts of God, such as but not limited to lightning damage.

## **How state law relates to this warranty:**

- This warranty gives you specific legal rights, and you may have other rights which vary from state to state.

## **If you purchased your product outside the USA:**

- This warranty does not apply. Contact your dealer for warranty information.



Model RP-7982/RP-7986/RP-7989  
55011940  
99-04  
Printed in the USA

 **THOMSON CONSUMER ELECTRONICS**

P.O. Box 1976, Indianapolis, IN 46206  
© 1999 Thomson Consumer Electronics, Inc.  
Trademark(s) ® Registered