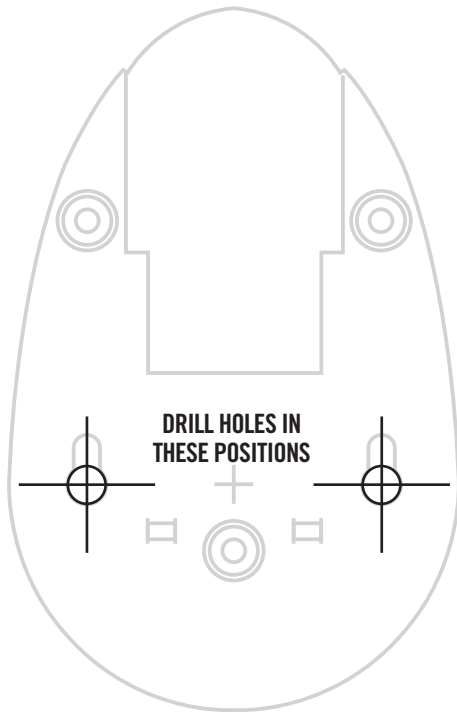


DRILLING TEMPLATE FOR WALL MOUNTING CAMERA(S) ///

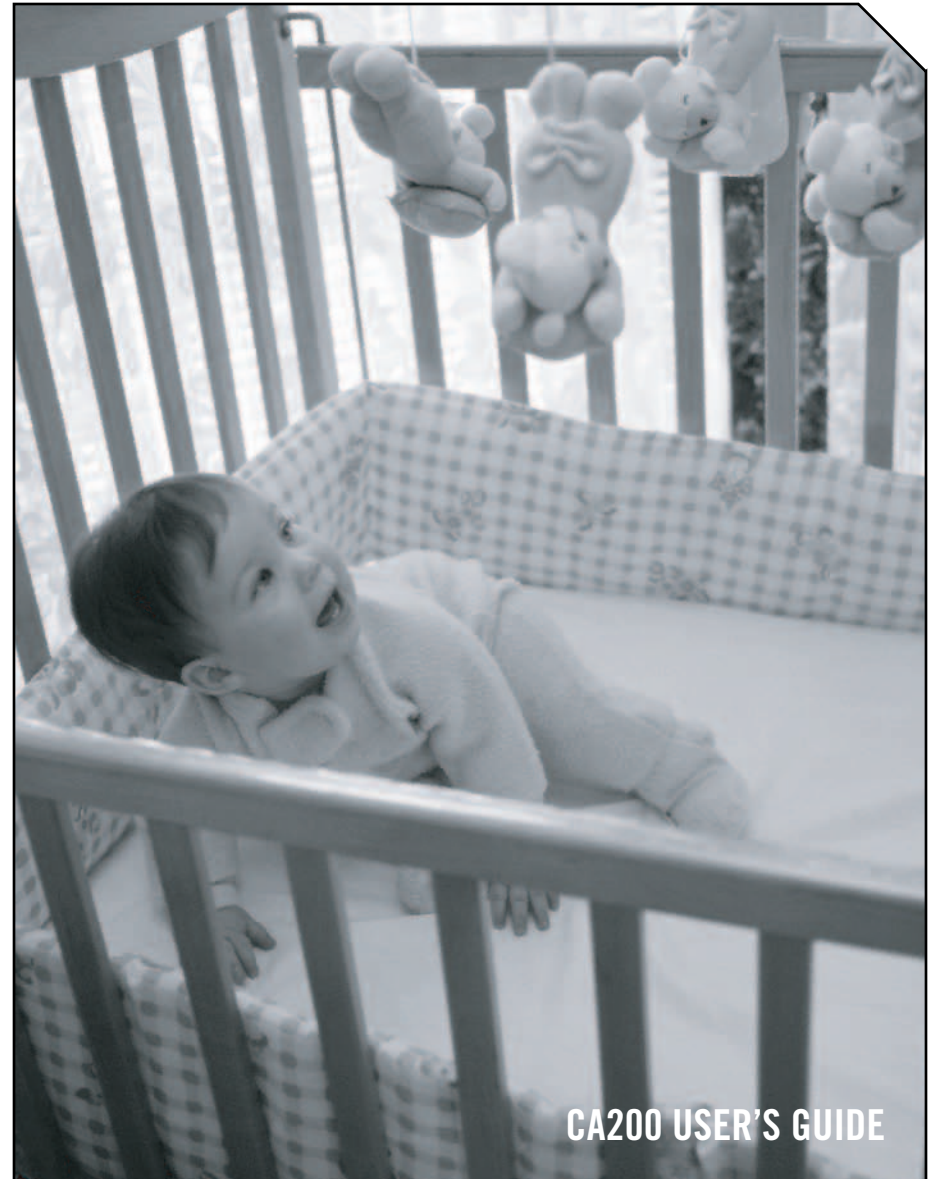
For wall-mounting Camera(s), drill two holes using a 1/4" drill bit and the template below.
Insert supplied wall anchors into holes and secure camera to wall with supplied screws.



XANBOO

**INDOOR
WIRELESS CAMERA**

➔ FOR USE WITH THE CMS250 WIRELESS SYSTEM



CA200 USER'S GUIDE

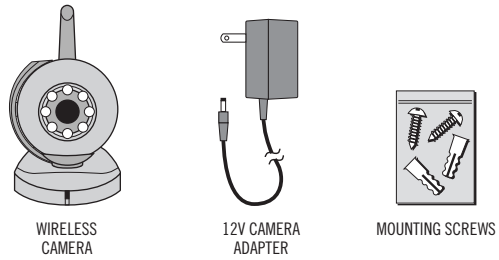
Congratulations on your purchase of the Xanboo™ **Wireless Camera** (CA200). All Xanboo™ **Wireless Cameras** includes high quality video and audio components. When combined with a Xanboo™ **Wireless Video Monitor/Receiver**, you have an ideal combination for watching the baby, monitoring the porch, pets, yard or the pool. It is also suited to many small business applications.

FEATURES ///

- 2.4GHz wireless technology
- Plug 'n' play installation
- High resolution black and white video camera
- Built-in microphone transmits sound from camera to monitor
- High quality audio and video components for long life
- IR LEDs for night vision
- Audio alert when audio detected

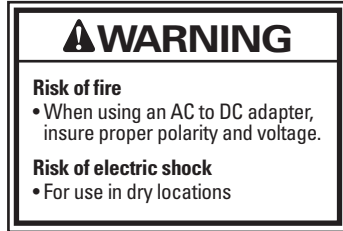
SYSTEM CONTENTS ///

Identify all parts before proceeding with installation.



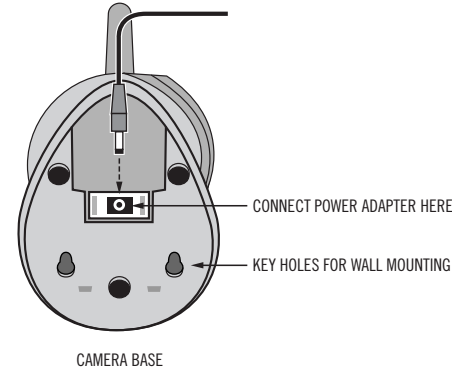
THINGS TO CONSIDER BEFORE INSTALLATION ///

- For best performance, follow these simple guidelines:
- Camera(s) should be installed between 8 and 13 feet above the area to be monitored
 - The Camera should be aimed accordingly to optimize viewing area
 - For best transmission, avoid installations where there are thick walls or major obstructions between the Camera and Monitor

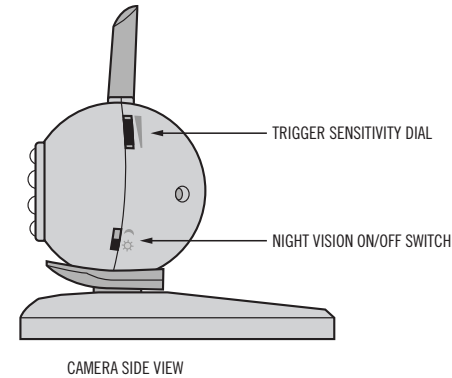


INSTALLING THE CAMERA (TRANSMITTER) ///

1. Unpack the Camera.
2. Place the Camera in an optimal position. Decide whether the Camera will be wall-mounted or sit on a desk/table top. If wall mounting, use drilling template on the back cover of these instructions. Once the screws are in place, align the key holes and slide the Camera down to lock into place. The Camera can be adjusted for either mounting scenario by rotating the Camera head to the required position.
3. To use the 12V camera power adapter, connect power jack to the input on the base of the Camera. Make sure the Camera is positioned no more than 5 1/2 feet from an AC power outlet.



4. You can adjust the volume sensitivity for the sound alert feature by adjusting the **TRIGGER** dial found on the side of the Camera.



5. The Camera (Transmitter) installation is now complete.

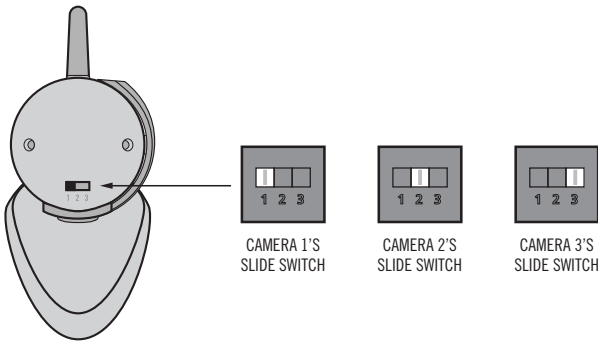
NIGHT VISION ///

The camera includes IR LEDs, which allows viewing up to 5 feet in the dark when used with

the adapter. To turn on the IR LEDs, there is a small switch on the side of the Camera. Place the switch adjacent to the moon icon ☾ in order to activate the night vision option. Place the switch adjacent to the sun icon ☀ in order to turn this option off.

MULTI-CAMERA OPERATION ///

The Xanboo™ Wireless Camera System is designed to work with up to (3) Cameras. Additional Cameras are sold separately. **IMPORTANT:** When using more than one Camera, make sure each Camera is assigned to a specific channel by adjusting the corresponding slide switch down.



REAR VIEW OF CAMERA

SPECIFICATIONS ///

Camera (Transmitter)	TV System	EIA standard
	Integrated Lens	3.6mm, F2.0 fixed focus
	Resolution	300 horizontal TV lines
	Signal/Noise Ratio	48db
	High-Speed Electronic Shutter	1/60 - 1/15,000 sec
	Image Sensor	1/4" CMOS
	Min. Illumination	0.1 lux
	Current Consumption	IR LEDs ON:180mA IR LEDs OFF:100mA
	Overall Size	2.4" W x 4.3" H x 3.8" D
	Case Finish	UV resistant ABS plastic, suited for indoor or outdoor use
	Frequency Range	2.41 - 2.47 GHz
	Modulation	FM
	Video Signal/Noise Ratio	48db

Camera (con't)	Audio Signal/Noise Ratio	45db
	Channel Selection	Electronic tuning with PLL
General	Operating temperature	-10 °C to 40 °C 14 °F to 104 °F
	Humidity	Less than 85%

APPROVALS ///

This device complies with part 15 of the FCC rules. Operation is subject to the following two conditions: (1) this device may not cause harmful interference, and (2) this device must accept any interference received, including interference that may cause undesired operation.

CE directive 93/68/EEC, EMC directive 89/336/EEC, LV directive 73/23/EEC.

This class B digital apparatus complies with Canadian ICES-003.

WARRANTY ///

This product has a one year manufacturer's warranty which covers parts and labor only. In the unlikely event that you encounter a technical or quality issue, please contact Xanboo at 1.877.926.2661. Xanboo will replace defective units within the warranty period.