

Digital Wireless Camera and Lcd Monitor

User Manual



TABLE OF CONTENTS

PRODUCT FEATURES

1. LCD Portable Color Monitor/Receiver
2. Wireless Color Camera

PACKAGE CONTENTS

OVERVIEW

1. Wireless Color Monitor
2. On-Screen Display
3. Wireless Color Camera

INITIAL SETUP

1. Wireless Color Camera
2. Wireless Color Monitor

OPERATION

1. Viewing Modes
2. Auto Detection
3. Auto Recording
4. Manual Recording
5. Playback

ADDITIONAL FEATURES

1. Setting the Date and Time
2. Talk Back
3. Night Light
4. Pairing Additional Cameras
5. Audio and Video Motion Detection Alarm
6. Auto Mute
7. Deleting Videos and Folders
8. Adjusting the Brightness
9. Temperature Alert
10. Adjusting the Temperature Display Unit
11. Adjusting the Zoom Level
12. Formatting the Inserted Micro SD Card
13. Restoring Factory Defaults
14. Adjusting the Trigger Record

15. Activating the Overwrite Feature
16. Lullabies
17. Mini USB Output

TROUBLESHOOTING

1. Frequently Asked Questions

WARRANTY

FCC STATEMENT

SPECIFICATIONS

Congratulations on your purchase of the Digital Wireless Portable LCD Monitor/Receiver with DVR system. Please review these instructions carefully before attempting to operate the unit.

PRODUCT FEATURES:

LCD Portable Color Monitor/Receiver

- 2.4GHz digital wireless technology—100% interference free, private and secure
Wirelessly receives audio and video up to 450 ft (unobstructed; line of sight)
- Recording capability using removable micro SD card (32GB max capacity = 120hrs)
Motion-activated, sound-activated and manual recording modes
- Expandable up to 4 cameras – quad, sequential or single view
- USB output – stream live video to your home computer
- USB output – record live video onto your computer hard drive
- Built-in microphone for broadcasting your voice to each camera
- Built-in speaker for listening to audio coming from each camera
- Built-in audible alerts for when motion or sound is detected
- Built-in 4hr Li-polymer rechargeable battery
- Room temperature display and alerts
- Chargeable using cradle or by directly plugging-in to monitor

Wireless Color Camera

- 2.4GHz digital wireless technology—100% interference free, private and secure
Wirelessly transmits audio and video up to 450 ft (unobstructed; line of sight)
- Continuous, sound or motion-activated video stream
- Built-in night vision (up to 20ft visibility)
- Built-in microphone for broadcasting audio to monitor automatically
- Built-in night light (manually or remotely activated with monitor)
- (4) Lullabies playable from camera (remotely activated with monitor)
- Tabletop or wall mount option
- Portable operation using (4) AA batteries or rechargeable battery

PACKAGE CONTENTS:

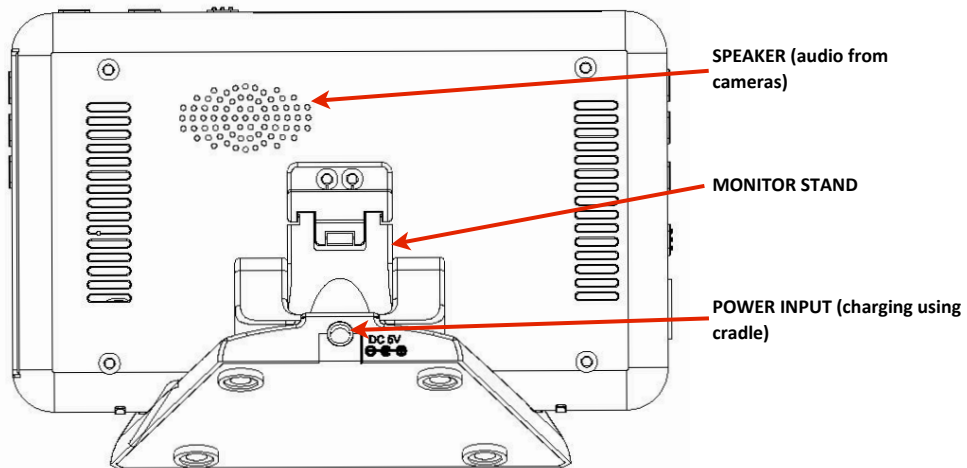
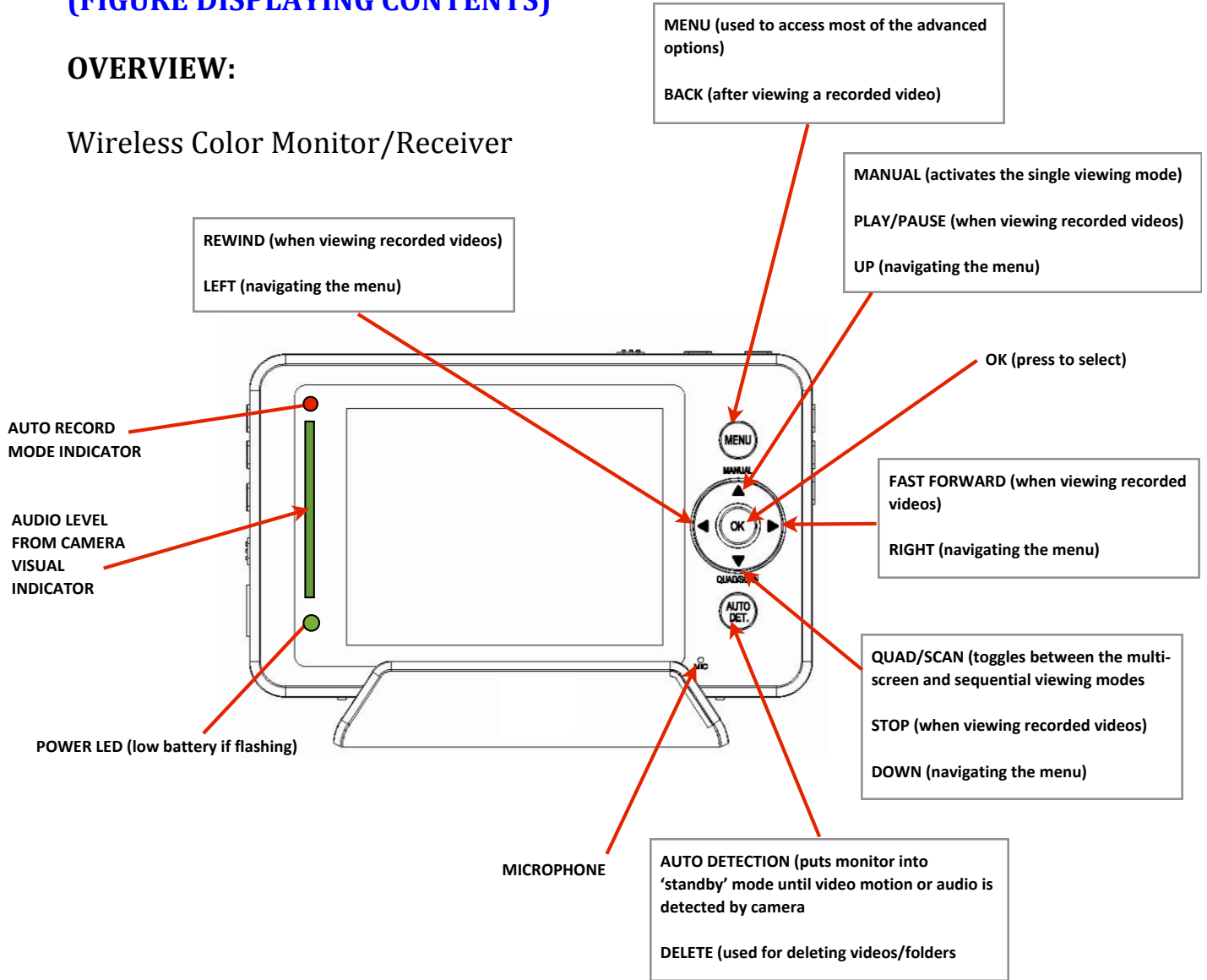
Please check and identify all the parts before proceeding with the installation:

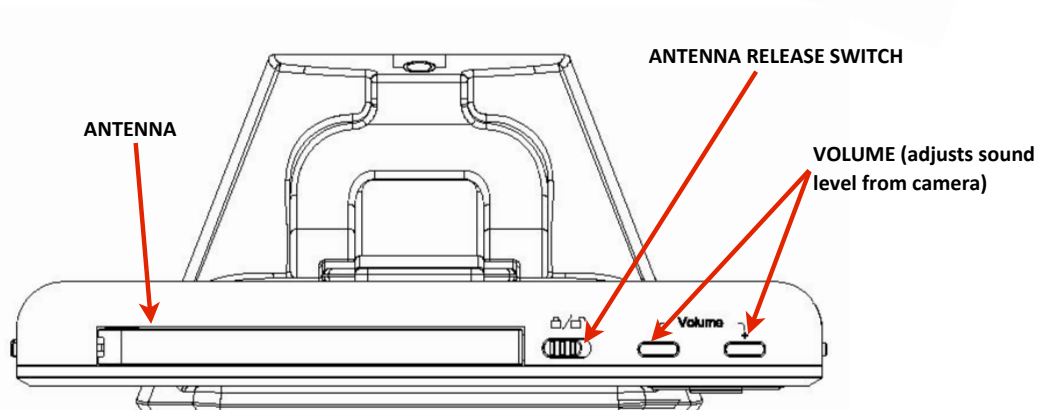
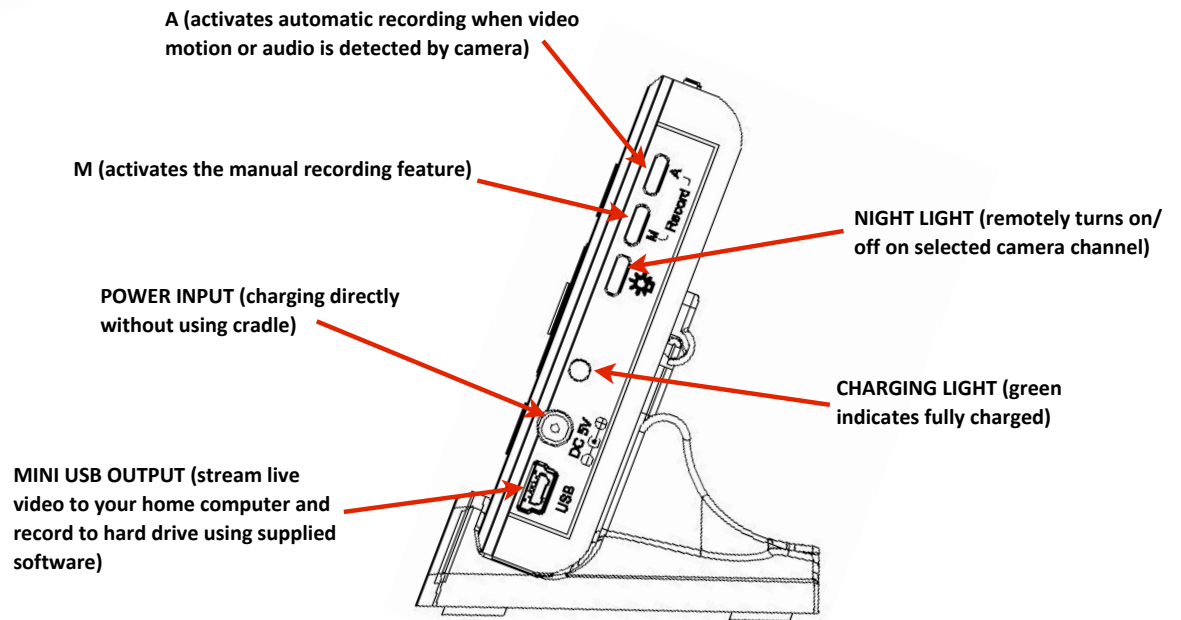
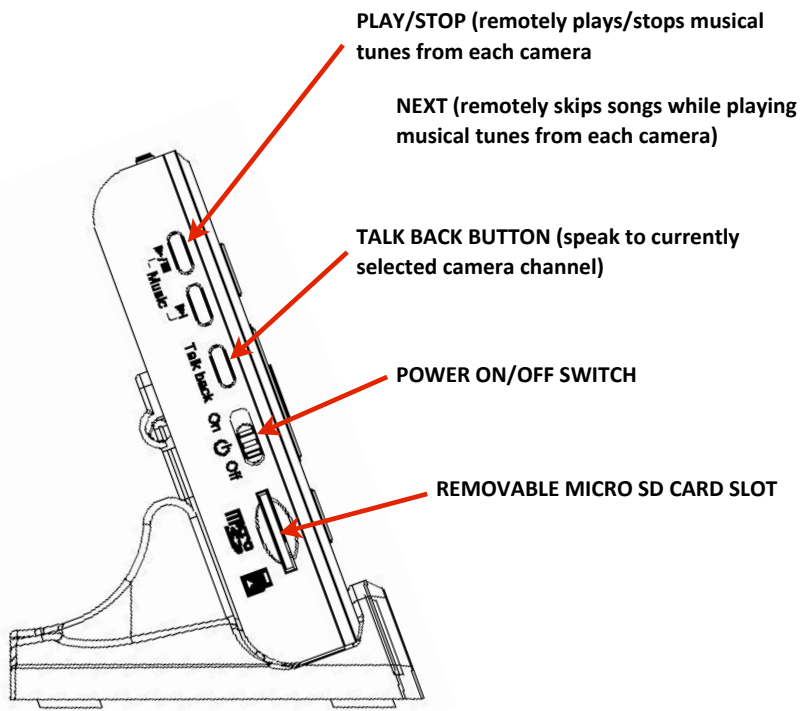
- (1) M370QN Digital Wireless Portable LCD Monitor/Receiver
- (1) CA650QN Digital Wireless Color Camera
- (1) Charging cradle
- (1) Camera wall plate and mounting hardware
- (1) CD (Computer Monitoring Software)
- (2) AC power adapters
- (1) Mini USB cable

(FIGURE DISPLAYING CONTENTS)

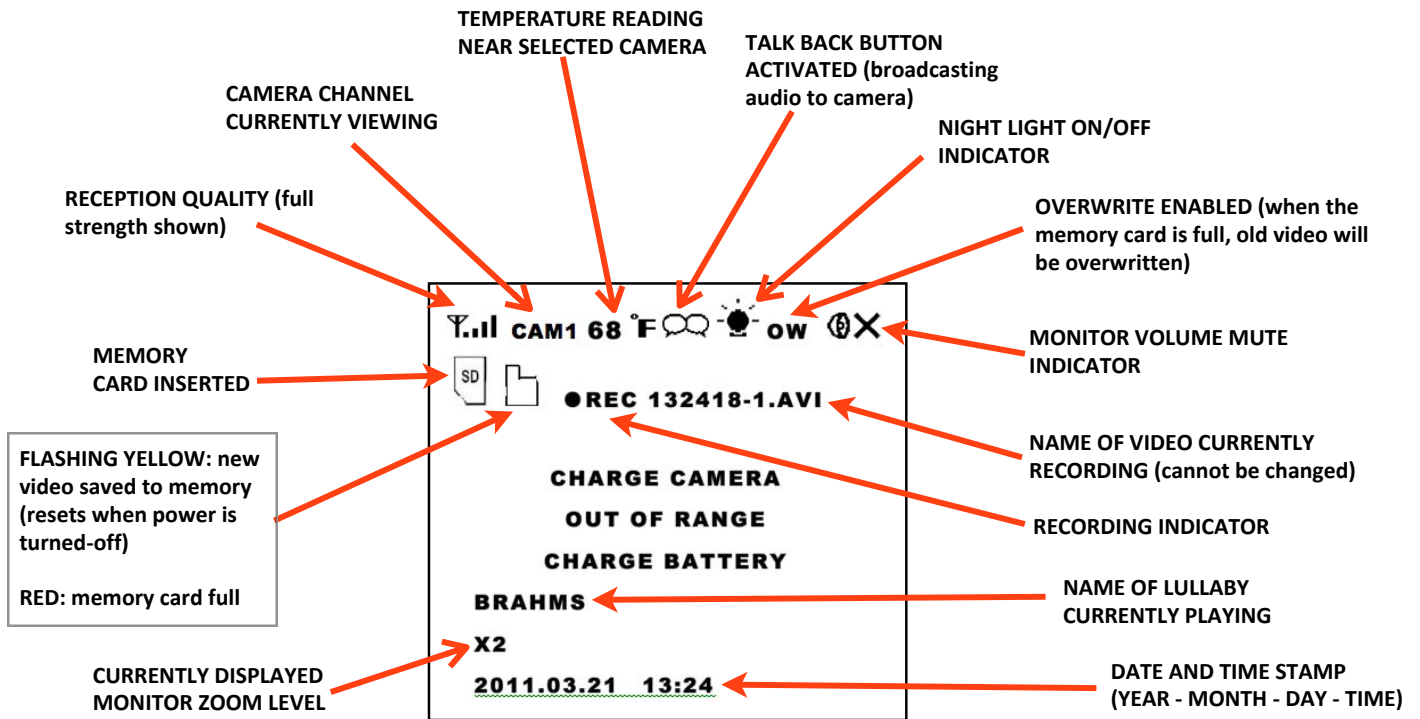
OVERVIEW:

Wireless Color Monitor/Receiver

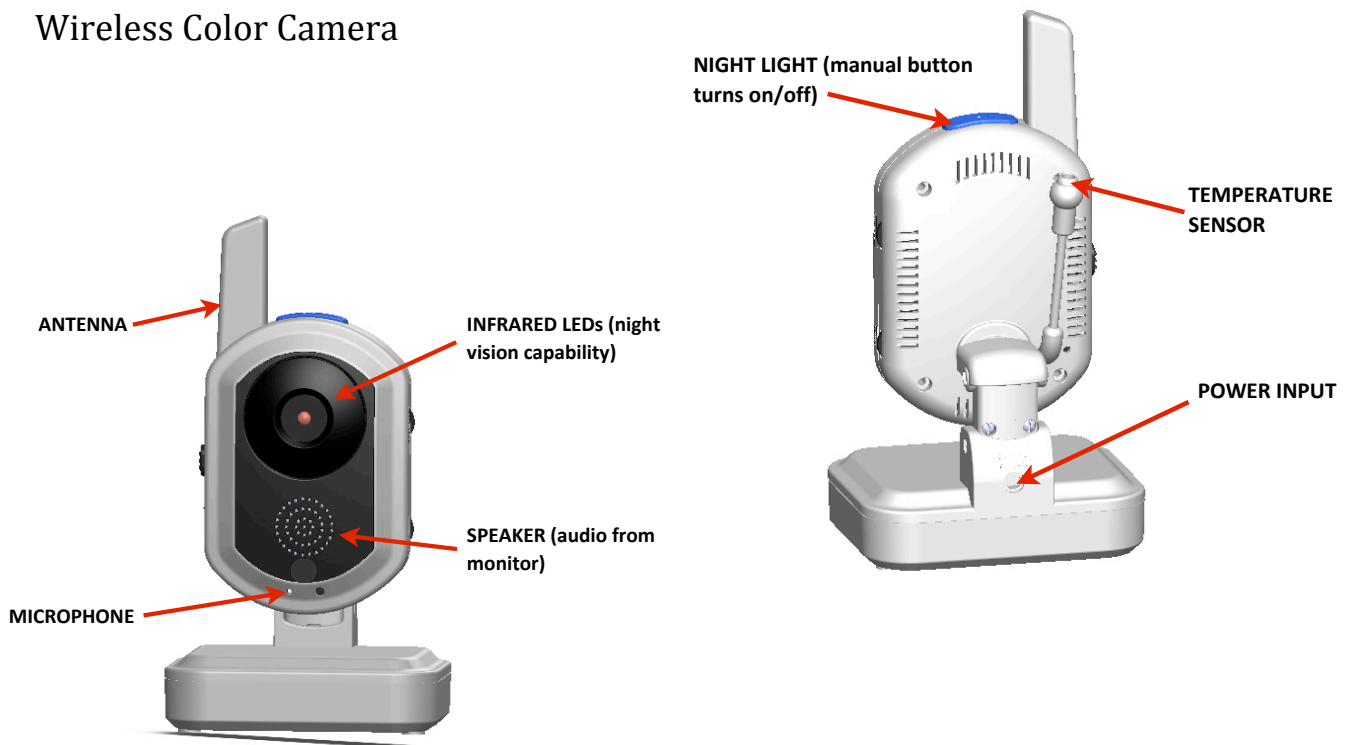


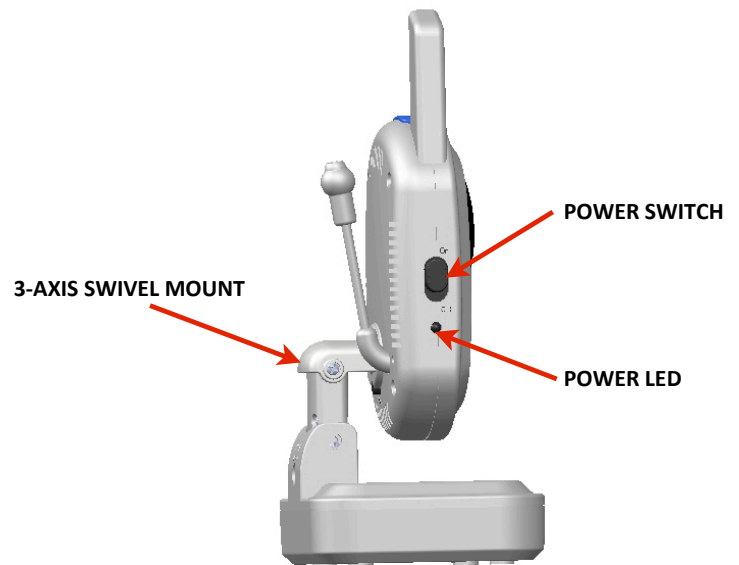
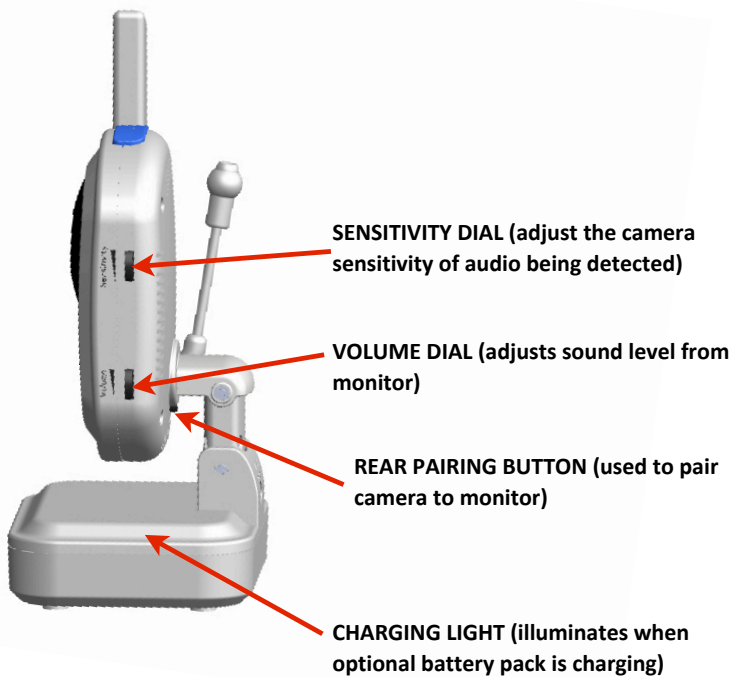


On-Screen Display



Wireless Color Camera



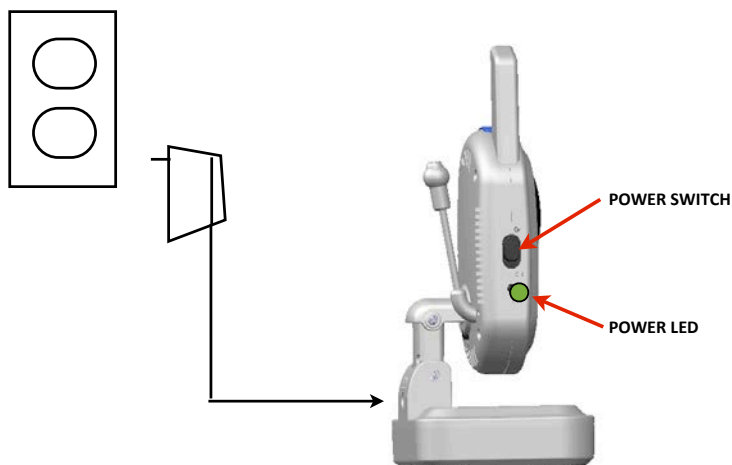


INITIAL SET-UP:

Wireless Color Camera

Power Using AC Adapter

- 1. Plug-in the power adapter into an electrical outlet.**
- 2. Insert the other end of the power adapter into the base of the camera.**
- 3. Locate the POWER switch on the left side of the camera.**
- 4. Slide the POWER SWITCH to the ON position. The POWER LIGHT will illuminate green below the OFF position.**



Power Using AA Batteries

1. **Locate the rear battery compartment underneath the base of the camera.**
2. **Push the tab towards the batteries to release cover, as shown:**

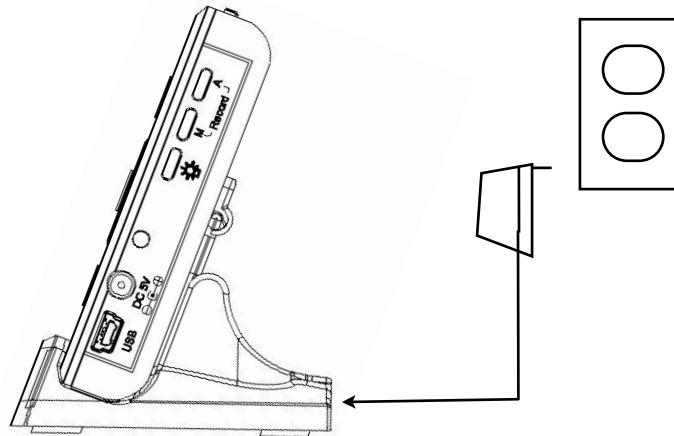
(FIGURE DISPLAYING BATT COMPARTMENT TAB)

3. **Insert the batteries as shown:**

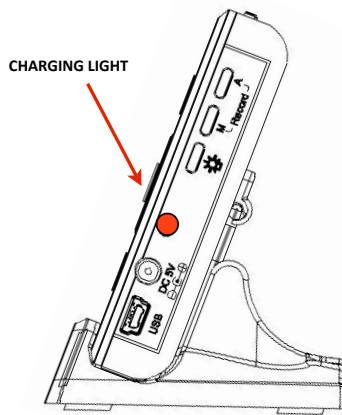
(FIGURE DISPLAYING BATT'S BEING INSERTED)

Wireless Color Monitor:

1. **Plug-in the power adapter into an electrical outlet.**
2. **Insert the other end of the power adapter into one of the following:**
 - a. **The right side of the monitor**
 - b. **The rear of the charging cradle with the monitor placed as shown:**

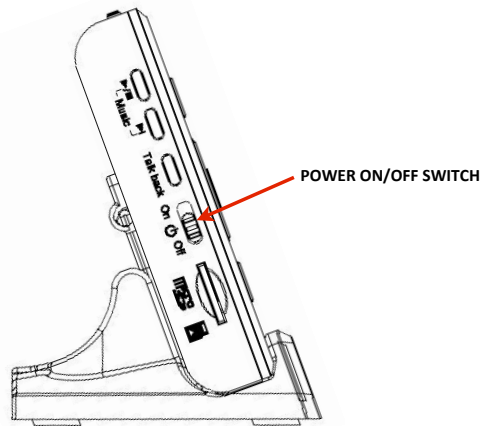


3. **The CHARGING LIGHT will illuminate near the POWER INPUT on the right side of the monitor. RED = charging and GREEN = fully charged.**

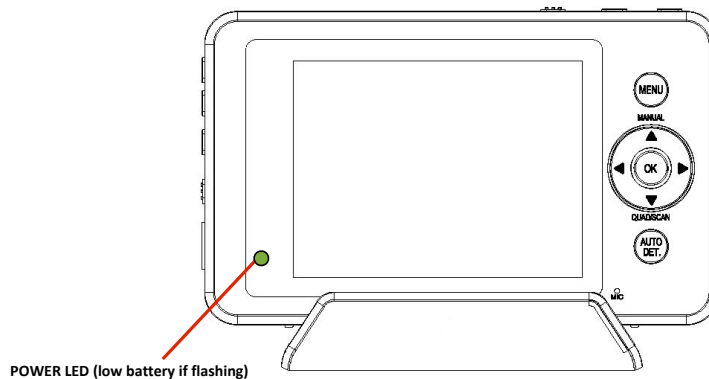


NOTE: Depending on the current state of these battery, it can take up to 6 hours to fully charge.

4. Locate the POWER switch on the left side of the monitor.

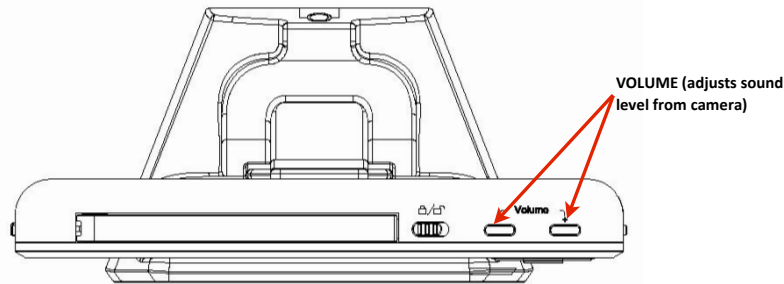


5. Slide the POWER switch to the ON position. THE POWER LED will illuminate green near the bottom left of the display.



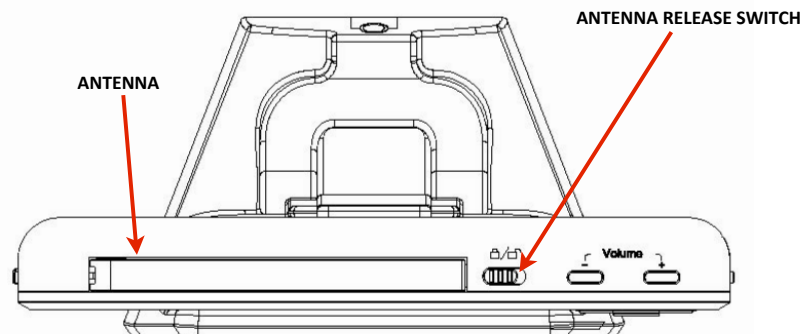
NOTE: A flashing POWER LED indicates a low battery. Depending on the current state, it can take up to 6 hours to fully charge.

6. The monitor will automatically scan for the camera. If within range, it will display on the screen. The speaker volume can be adjusted using the buttons located on top of the monitor:



NOTE: The monitor and camera have been paired together at the factory. If for any reason the display shows 'OUT OF RANGE' or you desire to add additional cameras, follow the 'Pairing Additional Cameras' procedure in the 'Additional Features' section of this manual (p. XX).

7. To determine the best location for your camera, the reception quality needs to be tested. A second person is recommended for assistance.
 - a. Place the monitor at the location you think it might be used the most
 - b. Have one person observe the camera signal strength displayed on the monitor
 - c. Have a second person move the camera to different locations until one is found with optimal reception coverage. Begin within approximately 6ft of the monitor. Using batteries for this step is recommended.



NOTES:

- **Extending the antenna is recommended for optimal reception. Locate the ANTENNA RELEASE SWITCH on top of the monitor. Slide the switch to unlock icon. Take care not to force the antenna beyond its maximum position.**
- **When choosing the best location for the placement of the camera and LCD monitor, it is best to avoid any sources of possible RF interference such as microwave ovens and cordless phones. Proximity to these and other RF interference may inhibit the proper functioning of the receiver. It is designed to not interfere with wireless home computer networks.**
- **The Digital Wireless signal can easily pass through your home's interior walls, but the signal may be reflected by power wires or plumbing inside those walls. Usually a slight adjustment to the position of the monitor and/or camera will improve reception.**
- **The Digital Wireless monitor system has a secure and private connection. Only cameras that have been directly 'paired' with the monitor can be viewed.**

8. Mounting on a wall

- To simplify the mounting process, a custom wall mounting plate is included with the mounting hardware.**
- Select an ideal location. Using the supplied mount as a template, drill 3/16" holes in the desired location for each screw.**
- Insert wall anchors into the holes (unless screwing directly into a stud).**
- Secure the mounting plate to the wall.**
- Re-connect one of the included AC power adapters. For a cleaner look, the power adapter can be ran through the walls if desired.**

(FIGURE DISPLAYING MOUNTING PLATE AND WIRE MANAGEMENT CLIP WITH MOUNTING HARDWARE BESIDE CAMERA)

OPERATION:

Viewing Modes

1. Manual (Single)

View individual camera continuously

- a. Press and release the MANUAL button. Press and release to toggle from one camera to another (if additional cameras are paired to monitor)

2. Sequential (Scan)

View each paired camera every 7-seconds

- a. Press and release the QUAD/SCAN button until a single camera video stream appears. [1] Approximately every 7-seconds, the display will sequentially toggle from one camera to the other (if additional cameras are paired to monitor)

3. Quad (Multi-Camera View)

View all paired cameras continuously at once

- a. Press and release the QUAD/SCAN button repeatedly until multiple camera video streams appear (if additional cameras are paired to monitor) [2]

(FIGURE DISPLAYING QUAD MODE?)

NOTE: Recording the multi-screen viewing (quad mode) video stream is not supported. However, recording single camera video streams is possible with multi-screen viewing (quad mode).

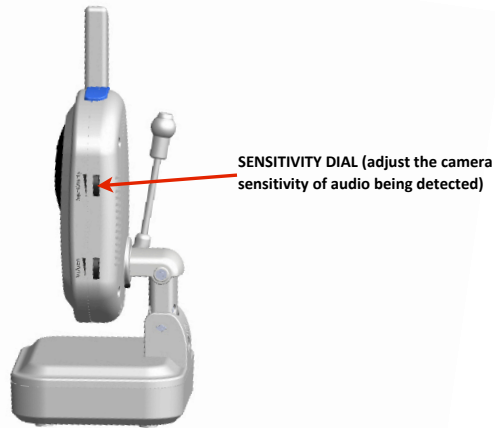
Auto Detection

Puts monitor into 'standby' mode until video motion or audio is detected by camera. Can be used in both manual and automatic recording modes.

Before activating auto detection mode, determine if using audio (noise) detection or video detection. You can select either or both to activate auto detection. To activate auto detection you must adjust sensitivity for audio and on video detection.

Adjust/Disable Audio Sensitivity

- 1. Identify the SENSITIVITY DIAL and adjust as shown:**



Turn the dial completely down to disable audio detection.

Adjust/Disable Video Sensitivity

1. **Press and release the MENU button on the monitor. [4]**
2. **Using the directional keypad, highlight the 'Record' option. Press and release the OK button. [5]**
3. **Using the directional keypad, highlight the 'VMD Sensitivity' option. Press and release the OK button. [6]**
4. **Use the directional keypad to highlight 'High', 'Medium', 'Low' or 'Off'. Press and release the OK button. [7]**
5. **Press and release the MENU button to exit. [8]**

Activate

1. **Press and release the AUTO DET button repeatedly until the display turns off. [3]**
2. **When video motion or audio is detected by a camera, the screen will automatically turn back on. It will remain on for approximately 10 seconds after the video motion or audio stops.**
3. **If detected again, this task repeats.**

De-activate

1. **Press and release AUTO DET button until the screen turns itself back on.**

NOTE: The Auto Detection feature will not function in 'multi-screen' viewing mode.

Auto Recording

Activates recording when video motion or audio is detected by camera.

NOTES:

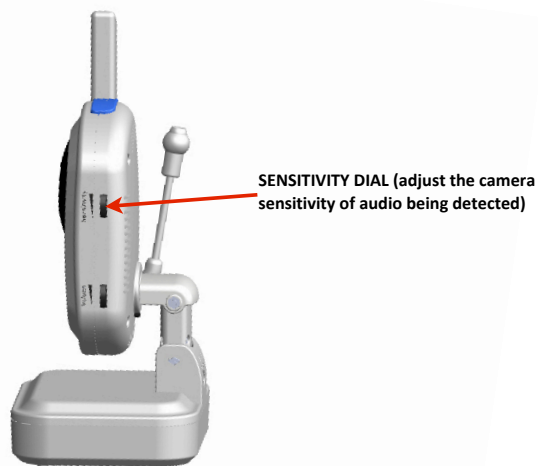
- **Before recording, it's recommended to change the date and time settings (Additional Features p.XX). This will help locate recorded videos more easily during playback.**
- **A Micro SD card is required (not included).**
- **When activated, only the AUTO DET button is functional.**

Activate

1. **Press and release the A button on the right side of the monitor. A red light will illuminate near the top left of the display indicating automatic recording mode is active. [10]**
2. **When video motion or audio is detected by camera, recording will begin and 'REC' will appear flashing on top of the display.**
3. **The name of the video recording is pre-set and cannot be customized. It appears in blue and also displays near the top of the display. [11]**
4. **The monitor will stop recording approximately 5 seconds after the video motion or audio detection stops. Both the name and 'REC' on the display will disappear. A new flashing yellow icon will appear indicating a new file was recorded and ready for playback. [12] Maximum recording time is 10 minutes of continuous video motion or audio detected by camera.**
5. **If video motion or audio is detected again, this task repeats itself.**

Adjust/Disable Audio Sensitivity

1. **Identify the SENSITIVITY DIAL and adjust as shown:**



Turn the dial completely down to disable audio detection.

Adjust/Disable Video Sensitivity

1. Press and release the MENU button on the monitor. [13]
2. Using the directional keypad, highlight the 'Record' option. Press and release the OK button. [14]
3. Using the directional keypad, highlight the 'VMD Sensitivity' option. Press and release the OK button. [15]
4. Use the directional keypad to highlight 'High', 'Medium', 'Low' or 'Off'. Press and release the OK button. [16]
Press and release the MENU button to exit. [17]

De-activate

1. Press and release the A button. The red light near the top left of the display will no longer illuminate.

Manual Recording

NOTES:

- **Before recording, it's recommended to change the date and time settings (Additional Features). This will help locate recorded videos more easily during playback.**
- **A Micro SD card is required (not included).**
- **When activated, only the AUTO DET button is functional.**

Activate

1. Press and release the M button on the right side of the monitor. [18]
Recording will begin immediately and 'REC' will appear flashing on top of the display.
2. The name of the video recording is pre-set and cannot be customized. It appears in blue and also displays near the top of the display.

De-activate

1. Press and release the M button again. [19] Both the name and 'REC' on the display will disappear. A new flashing yellow icon will appear indicating a new file was recorded and ready for playback. [20]

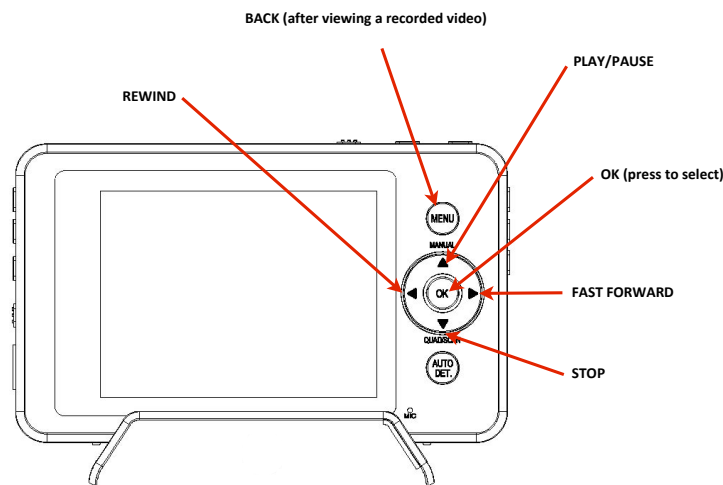
NOTE: The monitor will only record the active camera shown on the display. It will not record in multi-screen view.

Playback

1. In either single or sequential viewing mode, press the OK button. [21]
2. A list of folders stored on the memory card will appear on the screen. [22] Use the directional keypad to select the folder named, 'VIDEO' and press and release the OK button. [24]
3. A new list of folders, sorted by the date the video(s) were recorded, [23] will appear on the display. Use the directional keypad to select the folder desired. Press and release the OK button to select. [25]

NOTE: If the date and time settings haven't been adjusted (Additional Features), the folder names may be inaccurate.

4. A list of individual video files will appear. The newest videos will appear near the bottom of the list. Use the directional keypad to select the file desired. Press and release the OK button to select. [26]
5. The video selected will start playing immediately. The following commands can be used during playback:



Press and release the MENU button to return to the previous screen.

NOTE: To return to a previous list of folders viewed on the display, press and release the OK button after highlighting the icon whenever shown:



ADDITIONAL FEATURES:

Setting the Date and Time

1. Press and release the MENU button on the monitor. [27]
2. Using the directional keypad, highlight the 'Setup' option. [28] Press and release the OK button.
3. Press and release the OK button to select 'Date & Time'
4. Use the directional keypad to adjust the values displayed.
5. Press and release the OK button to save. [29]
6. Press and release the MENU button to exit. [30]

Talk Back

Allows the option to speak directly to currently selected camera channel

1. Locate the TALK BACK button on the left side of the monitor. [31]
2. In either single or sequential viewing mode, press and hold the TALK BACK button. [32]
3. Begin speaking.
4. Release when finished.
5. Adjust the volume level on the camera if needed (located below the sensitivity dial).



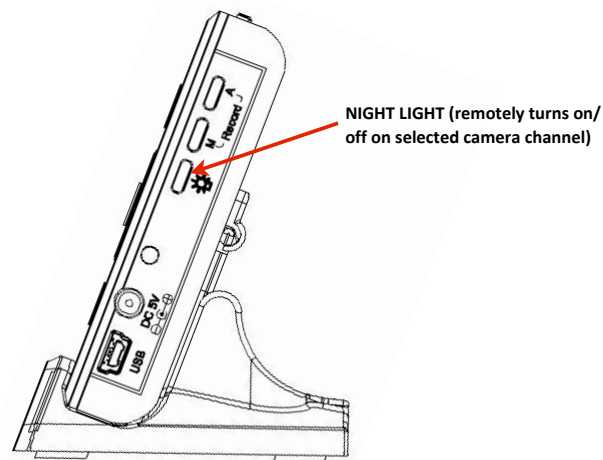
NOTE: The Talk Back feature will not function in 'multi-screen' viewing mode.

Night Light

1. **Press and release the NIGHT LIGHT button on top of the camera to manually turn on/off.**



2. **Can also be controlled remotely using the monitor. In either single or sequential viewing mode, press and release the NIGHT LIGHT button located on the right side of the monitor. [33] The night-light will illuminate on the camera currently shown on the display.**



Pairing Additional Cameras

1. **Place both the monitor and new camera a few feet from each other.**
2. **Follow the initial setup procedures as indicated in the beginning of this manual (p. XX).**
3. **Press and release the MENU button on the monitor. [34]**

4. Using the directional keypad, highlight the 'Pairing' option. [25] Press and release the OK button. [26]
5. Using the directional keypad, highlight the channel number desired. [27] You can also overwrite cameras already assigned a channel number. Press and release the OK button to save. [28]
6. Press and release the REAR PAIRING button on the rear of the new camera. The monitor will allow 30 seconds before timing out. If successful, the camera will be automatically added and a live video stream will appear on the display.



Audio and Video Motion Detection Alarm

Sounds 4 beeps when audio or video motion is detected. Can be triggered again after approximately 4-seconds. Alarm can be triggered repeatedly for an indefinite period of time.

Activate/Adjust/Deactivate

1. Press and release the MENU button on the monitor. [39]
2. Use the directional keypad to highlight 'Alarm Volume'. Press and release the OK button. [40]
3. Adjust the volume using the LEFT and RIGHT arrows on the directional keypad. [41] No bars displayed de-activates the alarm. [42] Press and release the OK button to save. [43]
4. Press and release the MENU button to exit. [44]

NOTE: Refer to the 'Auto Detection' or 'Auto Recording' section of this manual to adjust the audio and video sensitivity.

Auto Mute

Mutes monitor speaker until audio is detected by camera. Speaker transmits audio from camera for approximately 7 seconds after camera no longer detects audio. Can be triggered for an indefinite period of time.

Activate/Adjust/Deactivate

- 1. Press and release the MENU button on the monitor. [45]**
- 2. Using the directional keypad, highlight the 'Settings' option. [46]
Press and release the OK button. [47]**
- 3. Using the directional keypad, highlight the 'Auto Mute' option. [48]
Press and release the OK button. [49]**
- 4. Use the directional keypad to highlight either 'Yes' or 'No'. [50] Press and release the OK button. [51]**
- 5. Press and release the MENU button to exit. [52]**

NOTE: Refer to the 'Auto Detection' or 'Auto Recording' section of this manual to adjust the audio sensitivity.

Deleting Videos and Folders

- 1. In either single or sequential viewing mode, press and release the OK button. [53] A list of folders stored on the memory card will appear on the display. [54] Use the directional keypad to select the folder titled, 'VIDEO'. [55] Press and release the OK button. [56]**
- 2. A new list of folders sorted by date the video(s) were recorded will appear on the display. [57] Use the directional keypad to select the folder containing the file desired. Press and release the OK button to select. [58]**
- 3. A list of individual video files will appear. The newest videos will appear near the bottom of the list. Use the directional keypad to select the file desired. Press and release the AUTO DET button. [59]**
- 4. A warning message will appear on the display requesting confirmation. [60] Use the directional keypad to select 'Yes'. [61] Press and release the OK button. [62]**

NOTE: Folders can be deleted following the same procedure. Instead of highlighting the file desired, simply highlight the folder. [63]

Adjusting the Brightness

1. Press and release the MENU button on the monitor. [64]
2. Using the directional keypad, highlight the 'Settings' option. [65]
Press and release the OK button. [66]
3. Use the directional keypad to highlight 'Brightness'. [67] Press and release the OK button. [68]
4. Adjust the brightness using the LEFT and RIGHT arrows. [69]
5. Press and release the OK button to save. [70]
6. Press and release the MENU button to exit. [71]

NOTE: Changes will not be shown inside the menu screens.

Temperature Alert

The camera comes equipped with an external temperature sensor to [72] confirm acceptable temperature operating limits.

Activate/Adjust/Deactivate

1. Press and release the MENU button on the monitor. [73]
2. Using the directional keypad, highlight the 'Settings' option. [74]
Press and release the OK button. [75]
3. Using the directional keypad, highlight the 'Temp. Alert Range' option. [76] Press and release the OK button. [77]
4. Use the directional keypad to adjust the values displayed. [78]
5. Use the directional keypad to highlight 'On' or 'Off'. [79] Press and release the OK button to save. [80]
6. Press and release the MENU button to exit. [81]

NOTE: Use the camera operating temperature range as a reference (located in the 'Specifications' section of this manual).

Adjusting the Temperature Display Unit

1. Press and release the MENU button on the monitor. [82]
2. Using the directional keypad, highlight the 'Settings' option. [83]
Press and release the OK button. [84]
3. Using the directional keypad, highlight the 'Temp. Display Unit' [85] option. Press and release the OK button. [86]
4. Use the directional keypad to highlight either 'C' (Celsius) or 'F' (Fahrenheit). [89] Press and release the OK button. [87]

5. Press and release the MENU button to exit. [88]

Adjusting the Zoom Level

- 1. Press and release the MENU button on the monitor. [90]**
- 2. Using the directional keypad, highlight the 'Settings' option. [91]
Press and release the OK button. [92]**
- 3. Using the directional keypad, highlight the 'Zoom' option. [93] Press
and release the OK button. [94]**
- 4. Use the directional keypad to highlight either '1x' or '2x'. [95] Press
and release the OK button. [96]**
- 5. Press and release the MENU button to exit. [97]**

Formatting the Inserted Micro SD Card

- 1. Press and release the MENU button on the monitor. [98]**
- 2. Using the directional keypad, highlight the 'Settings' option. [99]
Press and release the OK button. [100]**
- 3. Using the directional keypad, highlight the 'Format' option. [101]
Press and release the OK button. [102]**
- 4. A warning message will appear on the display requesting
confirmation. [103] Use the directional keypad to select 'Yes'. [104]
Press and release the OK button. [105] Press and release the MENU
button to exit. [106]**

Restoring Factory Defaults

- 1. Press and release the MENU button on the monitor. [107]**
- 2. Using the directional keypad, highlight the 'Settings' option. [108]
Press and release the OK button. [109]**
- 3. Using the directional keypad, highlight the 'Default' option. [110]
Press and release the OK button. [111]**
- 4. Use the directional keypad to highlight either 'Yes' or 'No'. [112] Press
and release the OK button. [113]**
- 5. Press and release the MENU button to exit. [114]**

Adjusting the Trigger Record

In the Auto Record mode, adjusts the amount of time before the camera can trigger audio or video motion again (and therefore recording).

1. Press and release the MENU button on the monitor. [115]
2. Using the directional keypad, highlight the 'Record' option. [116]
Press and release the OK button. [117]
3. Using the directional keypad, highlight the 'Trigger Record' option. [118]
Press and release the OK button. [119]
4. Use the directional keypad to highlight '5 Seconds', '15 Seconds', or '30 Seconds'. [120]
Press and release the OK button. [121]
5. Press and release the MENU button to exit. [122]

Activating the Overwrite Feature

When the memory card is full, old video will be overwritten automatically.

1. Press and release the MENU button on the monitor. [123]
2. Using the directional keypad, highlight the 'Record' option. [124]
Press and release the OK button. [125]
3. Using the directional keypad, highlight the 'Overwrite' option. [126]
Press and release the OK button. [127]
4. Use the directional keypad to highlight 'Yes' or 'No'. [128]
Press and release the OK button. [129]
5. Press and release the MENU button to exit. [130]

Lullabies

Play musical tunes from each camera. Once activated, a playlist consisting of 4 different lullabies will play and repeat until playback is stopped.

1. Press and release the PLAY/STOP button on the monitor. [131]
2. Press and release the NEXT button to select a lullaby desired. [133]
The lullaby name will appear on the LCD screen. [135]
3. Press and release the PLAY/STOP button to exit. [134]

NOTE: Specific songs cannot be played repeatedly. Songs cannot be changed or modified.

Mini USB Output

Stream live video to your home computer and record to your hard drive using supplied software. Refer to User Manual on supplied CD. Manual can be printed.

TROUBLESHOOTING:

If you are having trouble operating this product, please consult the Frequently Asked Questions below.

Frequently Asked Questions:

- 1. 'OUT OF RANGE' appears on the display, camera is already paired, and camera is next to the monitor.**

Try sliding the monitor POWER SWITCH to the OFF position and then back to ON. This will cause the monitor to discover the camera again.

If monitor is still unable to locate camera, move the monitor closer to camera and slide the POWER SWITCH to the OFF position and then back to ON again. If camera is in close proximity to

- 2. Buttons on the monitor not responding.**

Auto or Manual Record mode likely activated. Check to see if red LED is illuminated or 'REC' appears on the display. Press the A or M button to de-activate setting and regain control of the monitor. Alternatively, try sliding the monitor POWER SWITCH to the OFF position and then back to ON.

- 3. Auto Record mode not activating.**

Micro SD card likely not inserted.

- 4. M button (Manual Record Mode) non-responsive.**

Micro SD card likely not inserted.

WARRANTY

ONE-YEAR LIMITED WARRANTY: this product to be free from manufacturing defects for a period of one year from the original date of consumer purchase. This warranty is limited to the repair or

replacement of this product only and does not extend to consequential or incidental damage to other products that may be used with this unit. This warranty is in lieu of all other warranties express or implied. Some states do not allow limitations on how long an implied warranty lasts or permit the exclusion or limitation of incidental or consequential damages, so the above limitations may not apply to you. This warranty gives you specific rights, and you may also have other rights which vary from state to state.

FCC STATEMENT

This equipment has been tested and found to comply with the limits for a Class B digital device, pursuant to Part 15 of the FCC Rules. These limits are designed to provide reasonable protection against harmful interference in a residential installation. This equipment generates, uses and can radiate radio frequency energy and, if not installed and used in accordance with the instructions, may cause harmful interference to radio communications. However, there is no guarantee that interference will not occur in a particular installation. If this equipment does cause harmful interference to radio or television reception, which can be determined by turning the equipment off and on, the user is encouraged to try to correct the interference by one or more of the following measures:

- Reorient or relocate the receiving antenna.
- Increase the separation between the equipment and receiver.
- Connect the equipment into an outlet on a circuit different from that to which the receiver is connected.
- Consult the dealer or an experienced radio/TV technician for help.

This device complies with Part 15 of the FCC Rules. Operation is subject to the following two conditions: (1) this device may not cause harmful interference, and (2) this device must accept any interference received, including interference that may cause undesired operation.

The manufacturer is not responsible for any radio or TV interference caused by unauthorized modifications to this equipment. Such modifications could void the user's authority to operate the equipment.

SPECIFICATIONS