

INSTRUCTION

Rugged Phone & Two Way Radio

⚠ Water ingress caused by improper operation and willful damage to LCD are not covered by warranty!

Failure to follow the safety instructions below may result in unnecessary injuries to the user or damage to the device. Please read the information carefully prior to use it.

Traffic safety

Do not use the device while you are driving.

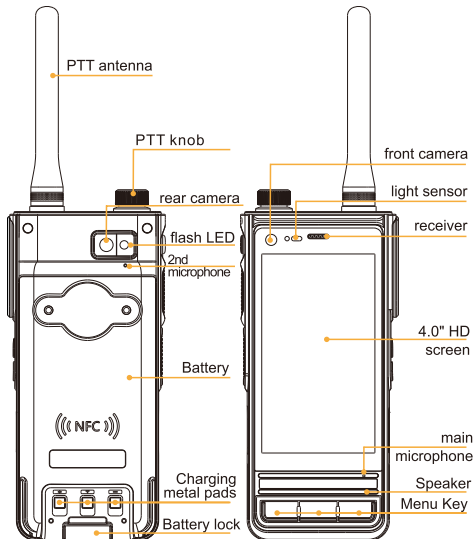
Switch on safety

Do not switch the device on when wireless connection is prohibited or it may cause radio interference.

Accessories and battery

Only original spare parts and battery can be used in this device.

Part Name



In hospital

Please turn off the device if it is forbidden for use near some medical instruments.

On the plane

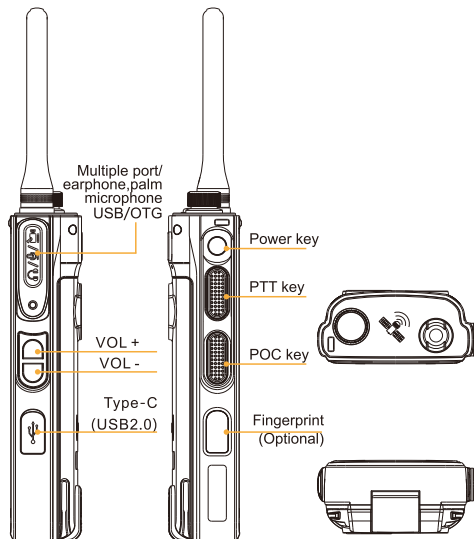
Please turn off the device when you are on a plane because wireless device may interfere with the radio communication system.

Gas station

Do not use the device near gasoline station or in hazardous environment.

Qualified service engineers

Only qualified engineers are allowed to replace and repair the device.



Part Name

Power on/off

Turn on the device by pressing the Power button till the screen is on.

Removing the Battery Pack



Install Micro-SIM/TF Card



Unlock the battery lock and open the rubber cover, put SIM card and T-flash card accordingly.

Airplane mode

Setting— More—Airplane mode

Restore factory settings

Setting—Reset—Restore factory settings

How To Set Up/Use Radio Properly

Prior to set up the radio, you should install the antenna properly



Open the PTT app

- 1 Open the embedded PTT app, power it on then you will see the blue light on.
- 2 For license-free usage, you may operate on specific channels regulated by local authority, at maximum power of 0.5 watt. Choose a desired channel, CTCSS and SQ value before using.



Switch on/off button. Red means on, gray means off.



Click Setting to set the channels, typing in password, then you could configure the general setting.



H stands for high power output, L stands for low power output.

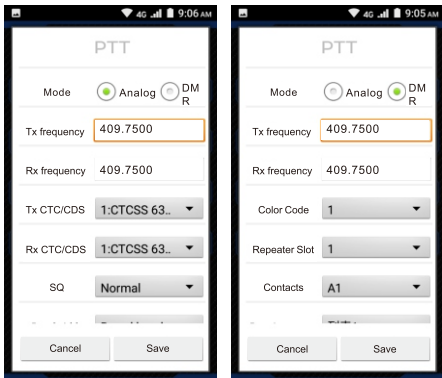


Send text message over a certain channel by pressing this icon. You may want change user name in the text interface.

How to set up channel

Blue color on number indicates it's in analog mode. Hold and press the channel for 3 seconds to configure the channel, such as frequency and CTCSS etc.

How To Set Up/Use Radio Properly



Properly setting up for analog radio

Prior to setting, you should know radio or repeater's transmit frequency, reception frequency, TX CTCSS and RX CTCSS etc

Tx frequency

UHF range from 400-470mHz,user can make frequency setting.

Rx frequency

UHF range from 400-470mHz,user can make frequency setting.

Tx Ctcss

Tx Ctcss consists of 0 to 265 levels, 0 means Tx Ctcss is mute.

Reception frequency

The range of receive frequency is same as the range of transmission frequencies, in direct mode we set the value of transmitting frequency is usually same as the value for receiving frequency.

Rx Ctcss

Indicates Rx Ctcsse, Rx Ctcss rang is same as Tx Ctcss', usually set the value of Rx Ctcss same as value of Tx Ctcss

Sensitivity

SQ sensitivity have 4 levels, open/loose/normal/tight. we suggest to select normal.

How To Set Up/Use Radio Properly

DMR

Call ID

User can make call ID setting, it is local ID number that user using.

Tx frequency

UHF range from 400-470mHz, user can make frequency setting.

Rx frequency

UHF range from 400-470mHz, user can make frequency setting.

Color code

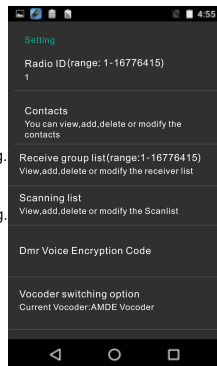
select range 0-15.it should be same color code between the talking devices.

repeater slot

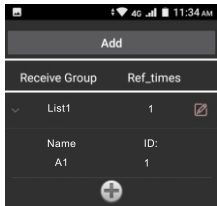
slot 1/2,

Contacts

setting for call type and call ID,long time press to make setting. It should be referred to related channel after make contact parameters setting.



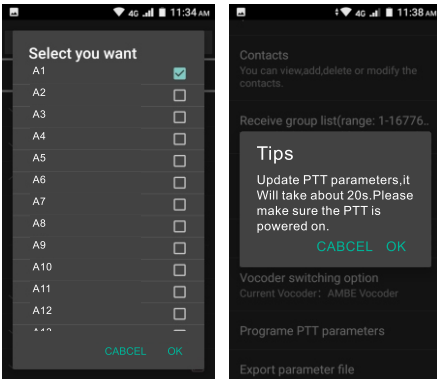
Name	Call Type	Call ID	Ref_times
A1	Group	1	1
A2	Group	1	1
A3	Group	1	1
A4	Group	1	1



Receive group list:

User can make settings for ID number of receive group by referring to contacts. Press "+" to modify. It should be referred to related channel after modified the receive group setting.

How To Set Up/Use Radio Properly



Press programe PTT parameters. it will show Tips as shown. User can download and write all parameters setting that setted by app to phone memory one time. so user can change channel by adjusting the channel knob. (Notice:it should press "Programme PTT parameters" after each modification and setting). Channel change:use channel knob to change channel

Warranty

Notice:

- ▶ The warranty policy shall in essence abide by the rules and regulations of local authorities, and may vary from country to country.
- ▶ Please do ask you local supplier for detailed explanation of the warranty policy. However, for your information, we normally cover one year warranty service for radio from the date of invoice, and 90 days for battery and accessories.

- 1 To the fullest extent permitted by law, warranty service may only be performed by supplier or authorized service centers.
- 2 May conduct diagnostic tests on customers' products to identify the causes of failures/defects. Before returning any unit for service, customer should back up data and remove any confidential and/or personal information from the product, Supplier is not responsible for damage or loss of any program, data, or removable storage media.
- 3 Prior to contacting a service agent, please ensure the following information is at hand: model, serial number, and IMEI number if available, customer' s full address and contact information, purchase Order number, a copy of the original invoice/receipt.
- 4 This warranty does not cover the following cases.
 - a If the product serial number, IMEI number or warranty seal is illegible or has been removed, erased, defaced, altered, and/or tampered. If any accessory or external part of the product is missing.
 - b If any damage occurred in/on the outer surface of the product, including but not limited to cracks, dents or scratches on the exterior cases, screens, camera lenses, buttons and other attachments.
 - c General maintenance, password reset assistance, cleaning, application update/installation, product demonstration, or any other service other than repair/replacement.
 - d Deterioration of the product caused by normal wear and tear, including but not limited to rust or stains.
 - e Any other circumstances that are contradictory to or not in compliance with business ethics.

Warranty

- 5 Supplier will determine whether a product is “Out of Warranty” according to the standards listed below.
- Ⓐ Repair of Out of Warranty products shall be separately quoted by the service center and respective service shall be provided upon a service fee payment.
- Ⓑ Violation of the warranty terms, invalidate warranty, expired warranty, or other reason are not guaranteed.
- Ⓒ During the warranty period, a violation is defined as: customer induced damage, such as self-repairs, exposure to water, damage caused by misuse, alternation, failure to comply with product manual, etc.

The Failure Table of Device

Name	Performance Failures
Mobile body	The specification listed invalid
	No display screen
	Can not boot, log in or communicate
	No ringing
	Dialing errors
	Abnormal shutdown
	SIM card contact failure
	Button is off control
	No sound, one-way silent or abnormal volume
Adapter	It does not work or work improperly
	can not charged by using specified charger
Mobile terminal card	work improperly
External wired headset	work improperly
Data card	work improperly

The Failure Table of Mobile Phones

Maintenance records

The first maintenance record _____

Name of Maintenance Agency _____

Date of Maintenance _____

Malfunction _____

The reason of Malfunction _____

The solution of Malfunction _____

The proof of return or replacement _____

Date of inspection _____

The original IMEI _____

The new IMEI _____

Maintenance personnel signature _____

Service agent stamp _____

The second maintenance record _____

Name of Maintenance Agency _____

Date of Maintenance _____

Malfunction _____

The reason of Malfunction _____

The solution of Malfunction _____

The proof of return or replacement _____

Date of inspection _____

The original IMEI _____

The new IMEI _____

Maintenance personnel signature _____

Service agent stamp _____

FCC Statement

This device complies with part 15 of the FCC rules. Operation is subject to the following two conditions: (1) this device may not cause harmful interference, and (2) this device must accept any interference received, including interference that may cause undesired operation.

Changes or modifications not expressly approved by the party responsible for compliance could void the user's authority to operate the equipment.

NOTE: This equipment has been tested and found to comply with the limits for a Class B digital device, pursuant to part 15 of the FCC Rules. These limits are designed to provide reasonable protection against harmful interference in a residential installation. This equipment generates uses and can radiate radio frequency energy and, if not installed and used in accordance with the instructions, may cause harmful interference to radio communications. However, there is no guarantee that interference will not occur in a particular installation. If this equipment does cause harmful interference to radio or television reception, which can be determined by turning the equipment off and on, the user is encouraged to try to correct the interference by one or more of the following measures:

- Reorient or relocate the receiving antenna.
- Increase the separation between the equipment and receiver.
- Connect the equipment into an outlet on a circuit different from that to which the receiver is connected.
- Consult the dealer or an experienced radio/TV technician for help.

RF Exposure Compliance and Control Guidelines and Operating Instructions

To control your exposure and ensure compliance with the occupational/controlled environmental exposure limits, always adhere to the following procedures.

Guidelines:

Do not remove the RF Exposure Label from the device.

User awareness instructions should accompany device when transferred to other users.

Do not use this device if the operational requirements described herein are not met.

Operating Instructions:

Transmit no more than the rated duty factor of 50% of the time. To transmit (talk), push the Push-To-Talk (PTT)

key. To receive calls, release the PTT key. Transmitting 50% of the time, or less, is important because the radio generates measurable RF energy only when transmitting (in terms of measuring for standards compliance).

Keep the radio unit at least 2.5 cm away from the face. Keeping the radio at the proper distance is important as RF exposure decreases with distance from the antenna. The antenna should be kept away from the face and eyes.

When worn on the body, always place the radio in a **RFinder.LLC**-approved holder, holster, case, or body harness or by use of the correct clip for this product.

Use of non-approved accessories may result in exposure levels which exceed the FCC's occupational/controlled environmental RF exposure limits.

For body worn operation, this device has been tested and meets the FCC RF exposure guidelines when used with an accessory designated for this product or when used with an accessory that contains no metal and that positions the handset a minimum of 10 mm from the body.

Use of non-approved antennas, batteries, and accessories causes the radio to exceed the FCC RF exposure guidelines.

Contact your local dealer for the optional accessories of the product.