

Ridgeway

QS-J1502
PORTABLE ACTIVE SPEAKER
SYSTEM WITH TROLLEY

- USB & SD INPUT PORTS
- BT AUDIO STREAMING
- FM RADIO RECEIVER
- AUDIO LINE (AUX) INPUT
- BASS AND TREBLE CONTROL
- PRESET EQ FOR USB/SD PLAYBACK
- WIRED MICROPHONE INPUT
- DIGITAL ECHO
- LED DISCO LIGHTS



INSTRUCTION MANUAL
 Before connecting, operating or adjusting the unit,
 please read instructions carefully and completely.

Feature

1. Stylish fashionable and elegant appearance
2. Strong bass, clear and rich vocal
3. Music playing through BT, USB, SD and line in connection

Display Description



1. : USB flashes when playing
2. : USB pause display
3. **USB MP3** : Read U disk display
4. **SD** : Read SD card display
5. **FM MHZ** : FM display when playing

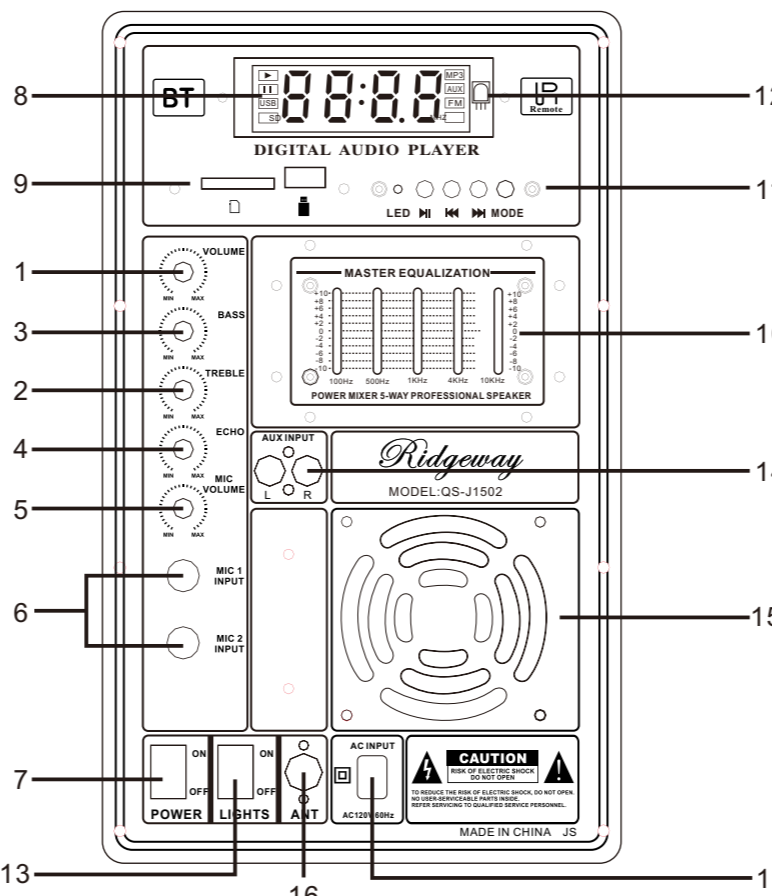
Lighting Function Description



Light Flashing Alternately
 After Power On

1

Panel Function



1. Source Volume Control
2. Treble Control
3. BASS Control
4. Echo Control
5. Mic Volume Control
6. Mic Input Jacks
7. Power ON/OFF Switch
8. USB Function Display
9. USB/SD Input port
10. EQ adjustment
11. USB/SD/FM/BT Playback Controls
- a. MODE
- b. Previous/CH- Button
- c. Next/CH+ Button
- d. Play/Pause/FM SCAN Button
12. Receiving Head
13. Lights ON/OFF Switch
14. Aux input
15. Fan cooling air outlet
16. FM antenna
17. AC Voltage Input: 120V-60Hz

2

Function Description

General Function Description

1. Master Volume :Turning to adjust master volume.
2. Treble Volume :Turning to adjust volume.
3. Bass Volume :Turning to adjust volume.
4. Echo Effect Volume :Turning to adjust volume.
5. Mic Volume :Turning to adjust volume.
6. mode:change to other mode when operating,sequence:
 AUX-BLUE-FM-USB/SD.priorly to play in usb or micro sd mode when insert usb or micro sd

Mp3 Function Description

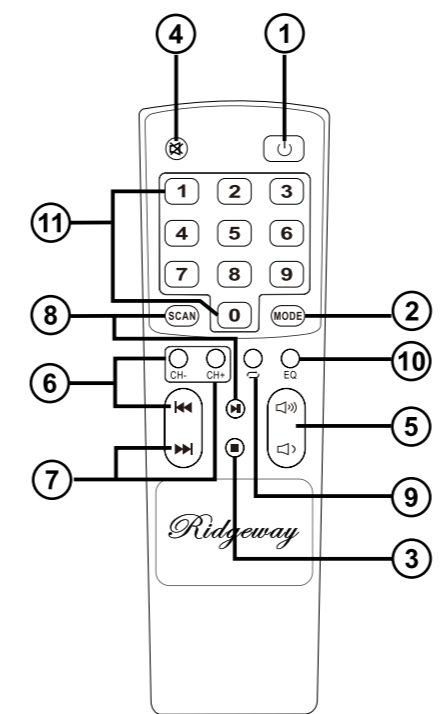
1. USB:Playing when insert the USB when save with Mp3 music.
2. Micro SD:Playing when insert the Micro SD when save with Mp3 music.
3. AUX:Playing when Plug in the AUX cable and connected with music device.
4. Play/Pause Button: In USB or Micro SD mode,press to play or pause.
5. Skip -&+ Button: With playing music in USB or Micro SD mode,short press to go back or forward music,long press to adjust volume

BT Function Description

1. pairing:press Mode Button To Blue Mode ,speaker Will Be Under Automatic Pairing Mode,led Display Shows "blue",pair The Bt Compatible Device By Selecting "QS-J1502" From The Listed Devices, Speaker Will Call Out "connected" After Paired Successful, Blue Pairing System Will Be Off There Is No Device Connecting After 5 Minutes.
2. Music Playing: press play/pause, Skip +/- Button to play music.

3

Remote Control Functions



REMOTE CONTROL BATTERY INSTALLATION:
 Press the releasing tab and lift the cover of the battery compartment.
 Place two AAA size batteries and match the polarity in the battery compartment illustration, (+) to (+) and (-) to (-) signs.

1. POWER - To switch the AUX, Bt, USB, SD, FM module of the product to Standby or operational mode.
2. MODE - To select playback input mode, AUX, Bt , USB, SD or FM radio operation.
3. STOP - To stop USB or SD MP3 audio playback.
4. MUTE - To switch the sound to OFF or ON during AUX, USB, SD or FM radio operation.
5. VOLUME (+/-) - To adjust the internal digital volume level of the audio input source.
6. PREVIOUS - To play the previous audio track number during USB, SD or operation.
7. NEXT - To play the next audio track number during USB, SD or Bt operation.
8. CH- - To select the previous programmed FM radio station on the preset memory channel number.
9. CH+ - To select the next programmed FM radio station on the preset memory channel number.
10. PLAY/PAUSE - To pause or to resume audio playback during USB, SD or Bt operation.
11. Scan - Press And Hold To Start Auto-program Fm Radio Stations Into The Preset Memory Channel number
9. REPEAT - To select repeat mode during USB or SD audio playback operation. Repeat modes: Folder/One/All
10. EQ - To select any of the preset equalizer settings according to your listening preferences during USB or SD audio playback mode.
11. Numerical buttons - To access directly to the desired track number during USB or SD MP3 audio playback or to access directly to the preset memory channel numbers of FM radio stations.

4

Technical Specifications

POWER SOURCE	----- AC 120V/60Hz
POWER CONSUMPTION	----- 100W(Max.)
WOOFER DRIVER	----- 15", 4 OHMS
TWEETER DRIVER	----- 3", 4 OHMS
FREQUENCY RESPONSE	----- 45Hz - 20kHz
TOTAL HARMONIC DISTORTION	----- 0.3% @10W
FM RADIO TUNING RANGE	----- 87.5MHz to 108MHz
USB/SD FORMAT COMPATIBILITY	----- FAT/FAT32 file system (NTFS file system is not supported)

Packing

QS-J1502 Speaker	*1
Adpater	*1
User Manual	*1

5

QS-J1502
PORTABLE ACTIVE SPEAKER
SYSTEM WITH TROLLEY

This device complies with Part 15 of the FCC Rules. Operation is subject to the following two conditions: (1) This device may not cause harmful interference, and (2) this device must accept any interference received, including interference that may cause undesired operation.

Caution: Changes or modifications not expressly approved by the party responsible for compliance could void the user's authority to operate the equipment.

NOTE: This equipment has been tested and found to comply with the limits for a Class B digital device, pursuant to part 15 of the FCC Rules. These limits are designed to provide reasonable protection against harmful interference in a residential installation. This equipment generates uses and can radiate radio frequency energy and, if not installed and used in accordance with the instructions, may cause harmful interference to radio communications. However, there is no guarantee that interference will not occur in a particular installation. If this equipment does cause harmful interference to radio or television reception, which can be determined by turning the equipment off and on, the user is encouraged to try to correct the interference by one or more of the following measures:

- Reorient or relocate the receiving antenna.
- Increase the separation between the equipment and receiver.
- Connect the equipment into an outlet on a circuit different from that to which the receiver is connected.
- Consult the dealer or an experienced radio/TV technician for help.

FCC Radiation Exposure Statement:

This equipment complies with FCC radiation exposure limits set forth for an uncontrolled environment.

This transmitter must not be co-located or operating in conjunction with any other antenna or transmitter.