

*Ridgeway*

## **QS-3315BR**

**PORTABLE ACTIVE SPEAKER  
SYSTEM WITH TROLLEY**

USB & SD INPUT PORTS  
BT AUDIO STREAMING  
FM RADIO RECEIVER  
AUDIO LINE (AUX) INPUT  
BASS AND TREBLE CONTROL  
PRESET EQ FOR USB/SD PLAYBACK  
WIRED MICROPHONE INPUT  
DIGITAL ECHO  
LED DISCO LIGHTS  
RECHARGEABLE BATTERY



## **QS-3315BR**

**PORTABLE ACTIVE SPEAKER  
SYSTEM WITH TROLLEY**

### **INSTRUCTION MANUAL**

Before connecting, operating or adjusting the unit,  
please read instructions carefully and completely.

## Feature

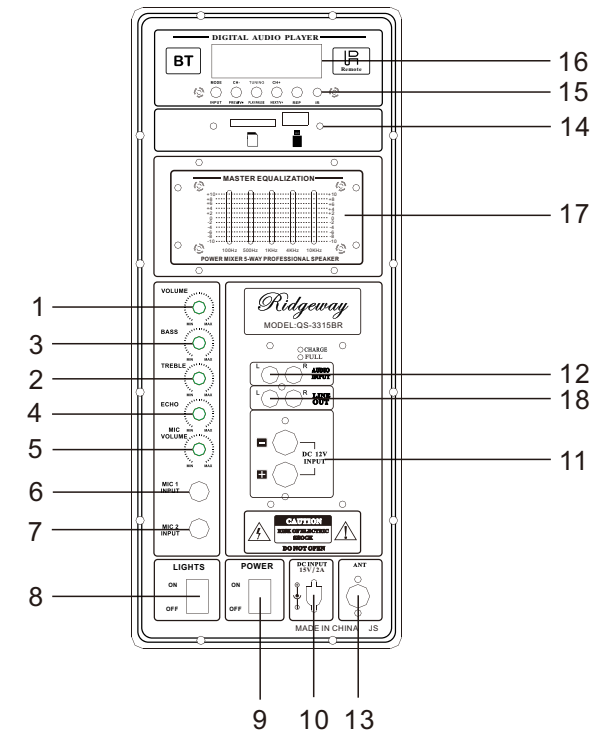
1. Stylish fashionable and elegant appearance
2. Strong bass, clear and rich vocal
3. Music playing through BT, USB, SD and line in connection

## Display Description



1. USB : Read U disk display
2. AUX : External audio input
3. BLUE : Bt play
4. FM : FM player, according to the previous song or the next key, semi automatic search table, press the play button, the full automatic search and storage station

## Panel Function



- |                                 |                                    |
|---------------------------------|------------------------------------|
| 1. Source Volume Control        | 12. AUDIO Input Jacks              |
| 2. Treble Control               | 13. FM antenna                     |
| 3. BASS Control                 | 14. USB/SD Input port              |
| 4. Echo Control                 | 15. USB/SD/FM/BT Playback Controls |
| 5. Mic Volume Control           | a. MODE                            |
| 6. Mic1 Input Jacks             | b. Previous/CH- Button             |
| 7. Mic2 Input Jacks             | c. Next/CH+ Button                 |
| 8. Lights ON/OFF Switch         | d. Play/Pause/FM SCAN Button       |
| 9. Power ON/OFF Switch          | e. Repeat Button                   |
| 10. Charging port: 15V/2A Input | f. Receiving Head                  |
| 11. DC 12V Input                | 16. USB Function Display           |
|                                 | 17. EQ frequency regulation        |
|                                 | 18. Line output                    |

## Function Description

### General Function Description

- 1.Master Volume :Turnning to adjust master volume.
- 2.Treble Volume :Turnning to adjust volume.
- 3.Bass Volume :Turnning to adjust volume.
- 4.Echo Effect Volume :Turnning to adjust volume.
- 5.Mic Volume :Turnning to adjust volume.
- 6.mode:change to other mode when operating,sequence:  
AUX-BLUE-FM-USB/SD.priority to play in usb or micro sd mode when insert usb or micro sd

### Mp3 Function Description

- 1.USB:Playing when insert the USB when save with Mp3 music.
- 2.Micro SD:Playing when insert the Micro SD when save with Mp3 music.
- 3.AUX:Playing when Plug in the AUX cable and connected with music device.
- 4.Play/Pause Button: In USB or Micro SD mode,press to play or pause.
- 5.Skip -&+ Button: With playing music in USB or Micro SD mode,short press to go back or forwatd music,long press to adjust volume

### BT Function Description

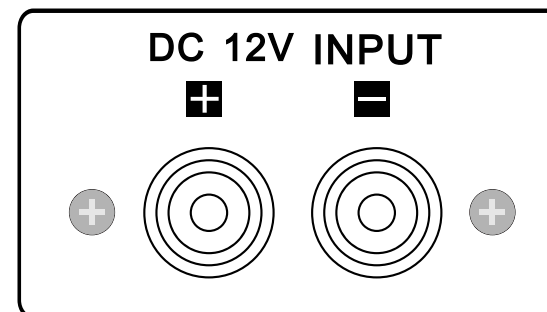
- 1.pairing:press Mode Button To Blue Mode ,speaker Will Be Under Automatic Pairing Mode,led Display Shows "blue",pair The Bt Compatible Device By Selecting "QS-3315BR" From The Listed Devices, Speaker Wlil Call Out "connected" After Paired Successful, Blue Pairing System Will Be Off There Is No Device Connecting Afrer 5 Minutes.
- 2.Music Playing: press play/pause,Skip +/- Button to play music.

## Charging function introduction

When charging the red light, when the green light indicates that the battery is full, But also continue to charge, charging 5-6 hours to reach the batteryBest state.

Remarks:Please charge the power when the power is off or the lower volume to avoid re charging when the sound is distorted.

## An External Battery Extend Life Function



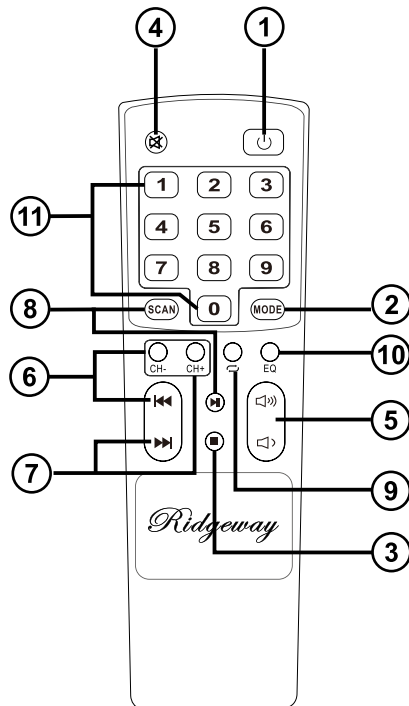
his product matched with external 12V storage battery connecting clamp, pls according to red(+),black(-) to connect the external storage battery's (+), (-). normal working after opening the power supply.

## Lighting Function Decription



Light Flashing Alternately After Power On

## Remote Control Functions



1. POWER - To switch the AUX, Bt, USB, SD, FM module of the product to Standby or operational mode.
2. MODE - To select playback input mode, AUX, Bt, USB, SD or FM radio operation.
3. STOP - To stop USB or SD MP3 audio playback.
4. MUTE - To switch the sound to OFF or ON during AUX, USB, SD or FM radio operation.
5. VOLUME (+/-) - To adjust the internal digital volume level of the audio input source.
6. PREVIOUS - To play the previous audio track number during USB, SD or operation.
7. NEXT - To play the next audio track number during USB, SD or Bt operation.
8. CH- - To select the previous programmed FM radio station on the preset memory channel number.
9. CH+ - To select the next programmed FM radio station on the preset memory channel number.
10. PLAY/PAUSE - To pause or to resume audio playback during USB, SD or Bt operation.
11. Scan - Press And Hold To Start Auto-program Fm Radio Stations Into The Preset Memory Channel number
9. REPEAT - To select repeat mode during USB or SD audio playback operation.  
Repeat modes: Folder/One/All
10. EQ - To select any of the preset equalizer settings according to your listening preferences during USB or SD audio playback mode.
11. Numerical buttons - To access directly to the desired track number during USB or SD MP3 audio playback or to access directly to the preset memory channel numbers of FM radio stations.

### REMOTE CONTROL BATTERY INSTALLATION:

Press the releasing tab and lift the cover of the battery compartment.  
Place two AAA size batteries and match the polarity in the battery compartment illustration, (+) to (+) and (-) to (-) signs.

## Technical Specifications

POWER SOURCE	----- AC 100-240V~60Hz
	----- DC 12V ----
BUILT-IN RECHARGEABLE BATTERY	----- 12V/ 7A
POWER CONSUMPTION	----- 100W(MAX)
TOTAL POWER OUTPUT	----- 40W RMS @1kHz, 10% THD
WOOFER DRIVER	----- 15", 4 OHMS
TWEETER DRIVER	----- 3", 4 OHMS
FREQUENCY RESPONSE	----- 45Hz - 20kHz
TOTAL HARMONIC DISTORTION	----- 0.3% @10W
CHANNEL SEPARATION	----- 60dB
FM RADIO TUNING RANGE	----- 87.5MHz to 108MHz
USB/SD FORMAT COMPATIBILITY	----- FAT/FAT32 file system (NTFS file system is not supported)

## Packing

QS-3315BR Speaker	*1
Adpater	*1
User Manual	*1

This device complies with Part 15 of the FCC Rules. Operation is subject to the following two conditions: (1) This device may not cause harmful interference, and (2) this device must accept any interference received, including interference that may cause undesired operation.

Caution: Changes or modifications not expressly approved by the party responsible for compliance could void the user's authority to operate the equipment.

NOTE: This equipment has been tested and found to comply with the limits for a Class B digital device, pursuant to part 15 of the FCC Rules. These limits are designed to provide reasonable protection against harmful interference in a residential installation. This equipment generates uses and can radiate radio frequency energy and, if not installed and used in accordance with the instructions, may cause harmful interference to radio communications. However, there is no guarantee that interference will not occur in a particular installation. If this equipment does cause harmful interference to radio or television reception, which can be determined by turning the equipment off and on, the user is encouraged to try to correct the interference by one or more of the following measures:

- Reorient or relocate the receiving antenna.
- Increase the separation between the equipment and receiver.
- Connect the equipment into an outlet on a circuit different from that to which the receiver is connected.
- Consult the dealer or an experienced radio/TV technician for help.

#### FCC RF Radiation Exposure Statement

This equipment complies with FCC RF radiation exposure limits set forth for an uncontrolled environment.

This equipment should be installed and operated with a minimum distance of 20 centimeters between the radiator and your body. This transmitter must not be co-located or operated in conjunction with any other antenna or transmitter.