



CONGRATULATIONS!

You are now the proud owner of the ROCCAT™ Kave XTD Digital – Premium 5.1 Surround Headset with USB Remote & Sound Card. With true 5.1 surround sound, supreme comfort, robust design and a desktop remote featuring a high-quality inbuilt sound card and Bluetooth® smartphone pairing technology, the Kave XTD is the total audio solution for gamers.

USB Remote & Sound Card

Featuring a high-quality inbuilt sound card, the Kave XTD remote gives you total audio control at your fingertips. With 5.1 speaker ports, you can hook your existing sound system up and switch between output modes easily. Completed by a game/movie mode toggle, volume master controls, stylish LED lighting and tons more, the remote works as your audio command center.

Bluetooth® Pairing

Also featured in the Kave XTD remote is patented ROCCAT™ Bluetooth® technology which lets you to pair your BT-enabled smartphone to your headset, allowing you to make and receive calls without having to leave the action. Saving you time and keeping you focused on your game, you can chat to your friends through your headset while you keep on fragging.

High-comfort Surround Sound

With two 40mm driver units and one 30mm vibrator unit per ear cup, the Kave XTD provides fully-immersive surround sound audio. With hand-sewn leatherette ear cushions and plush headband padding, supreme comfort is complemented by a light yet robust and battle-proof design. A detachable microphone with mute LED rounds off your perfect gaming headset.



CALL BUTTON GUIDE*

Status	Call Button Action	Function
Standby	Press and hold (4s)	Initiate pairing
Incoming call	Press once	Accept call
Incoming call	Press and hold (2s)	Reject call
On a call	Press once	End call
Paired/Standby	Press and hold (2s)	Call back
Paired/Standby	Press once	Initiate call

Status	Bluetooth® LED Illumination
Not paired	Off
Paired	On
Pairing	Blinking

Status	Call Button LED
On a call	On
Idle	Off

* full functionality dependent on finalizing BT® pairing

SPECIFICATIONS

PACKAGE CONTAINS

- ROCCAT™ Kave XTD Digital – Premium 5.1 Surround Headset
- Desktop USB Remote with Inbuilt Sound Card
- Driver CD-ROM
- Quick-Installation Guide

SYSTEM REQUIREMENTS

- Free USB 2.0 port (500mA) for power supply
- Windows® 7 32/64 bit, Windows® 8 / Windows® 8 Pro
- For phone feature*: Bluetooth® 3.0, backward compatible with Bluetooth® 1.1, 1.2, 2.0 (+EDR) and 2.1

*only works with installed device driver

TECH SPECS

CENTER/FRONT/REAR DRIVER UNITS

- frequency response: 20~20.000Hz
- max. SPL at 1KHz: 115±3dB
- max. input power: 50mW
- driver diameter: 40mm
- driver unit material: Neodymium magnet
- impedance: 32Ω

VIBRATION DRIVER UNITS

- frequency response: 20~100Hz
- max. input power: 300mW
- driver diameter: 30mm

MICROPHONE

- frequency response: 10~10.000Hz
- driver diameter: 4x1.5mm
- sensitivity at 1KHz: -32±-2dB
- impedance: 2.2kΩ + 15%
- directivity: omni-directional

GENERAL

- weight (headset only): 335gr
- cable length: 3.6m



QUICK-INSTALLATION GUIDE

IMPORTANT DOCUMENT

© 2013 ROCCAT GmbH. All rights reserved. Any product names mentioned in this manual may be trademarks or registered trademarks and are the property of their respective owners. Information contained herein is subject to change without notice. ROCCAT GmbH shall not be made liable for any errors that may appear in this manual. This publication or parts of it may not be reproduced without the express consent of the publisher.

ROCCAT GmbH
Otto von Bahrenpark, Paul-Dessau-Str. 3G, 22761 Hamburg, Germany



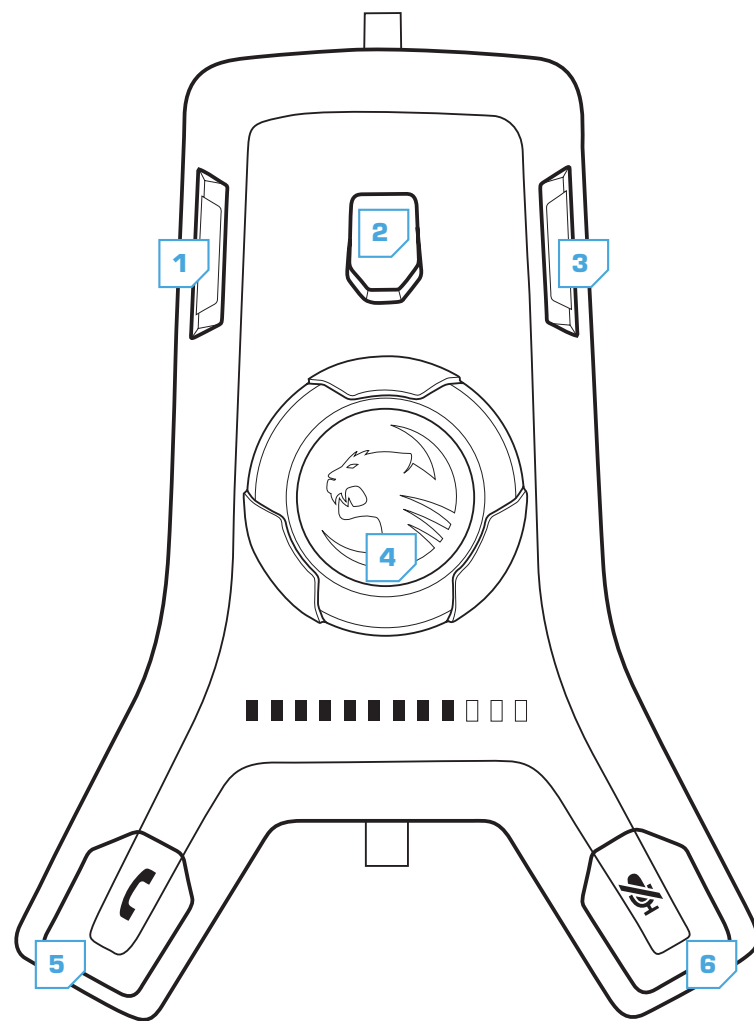
PLEASE USE YOUR PRODUCT'S SERIAL NUMBER
(LOCATED ON THE BOTTOM LABEL) FOR
REGISTRATION, SIGN IN AT:
WWW.ROCCAT.ORG/REGISTER

WWW.ROCCAT.ORG/SUPPORT

Our support team is ready to help with any technical questions. Just send an e-mail to support@roccat.org. Or visit our website at:

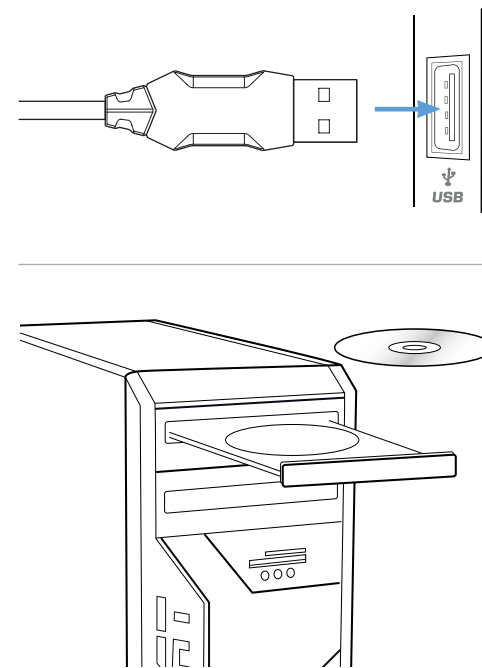
Should you need assistance ...

DESKTOP REMOTE



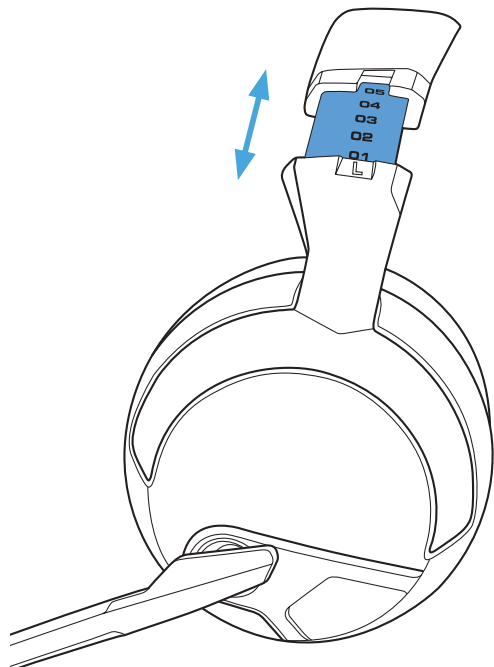
- 1** = Movie/game mode toggle
- 2** = Channel toggle
- 3** = Output mode toggle
- 4** = Volume/mute control
- 5** = Call button
- 6** = Microphone mute button

CONNECTION/INSTALLATION*

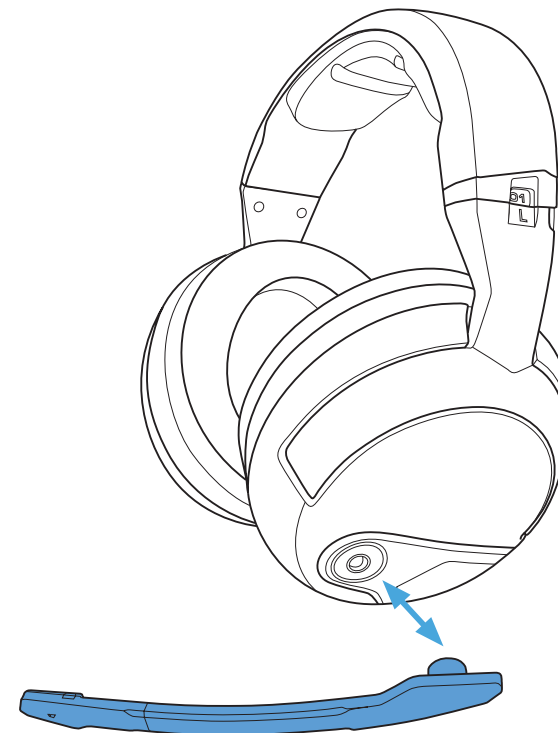


*device driver must be installed for full functionality

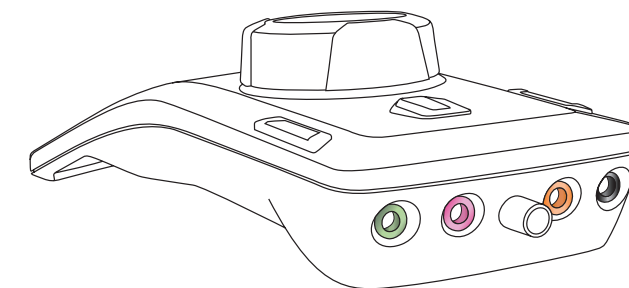
ADJUSTMENT



ATTACH/DETACH MIC



5.1 SPEAKER PORTS



- = Front speakers
- = Microphone
- = Subwoofer/center speaker
- = Rear speakers

DE

BITTE BEACHTEN: UM DAS KAVE XTD MIT ALLEN FUNKTIONEN NUTZEN ZU KÖNNEN, MUSS DER TREIBER INSTALLIERT SEIN.

1. Stecke den USB-Stecker in einen freien USB-Anschluss deines Computers.
2. Lege die Installations-CD-ROM ein oder lade den Treiber von roccat.org/support herunter.
3. Installiere den Treiber.
4. Starte deinen Computer nach der Installation des Treibers neu.

DK

BEMÆRK: FOR AT OPNÅ FULD KAVE XTD OPLEVELSE SKAL DRIVEREN VÆRE INSTALLERET.

1. Sæt USB-stikket i en fri USB-port på din computer.
2. Indsæt installationen CD-ROM eller download driveren fra roccat.org/support.
3. Installér driveren.
4. Genstart din computer, når installationen af driveren er afsluttet.

EN

PLEASE NOTE: TO ENJOY THE FULL KAVE XTD EXPERIENCE PLEASURE ENSURE THE DRIVER IS INSTALLED.

1. Plug the USB connector into any free USB port on your computer.
2. Insert the installation CD-ROM or download the driver from roccat.org/support.
3. Install the driver.
4. Reboot your computer after the driver installation has completed.

ES

NOTA: PARA DISFRUTAR DE TODA LA EXPERIENCIA QUE OFRECE KAVE XTD ASEGÚRESE DE QUE EL CONTROLADOR ESTÉ INSTALADO.

1. Enchufe el conector USB a cualquier puerto USB libre de su ordenador.
2. Inserte el CD ROM de instalación o descargue el controlador de roccat.org/support.
3. Instale el controlador.
4. Reinicie su ordenador una vez finalizada la instalación del controlador.

FI

HUOMAA: VARMISTA, ETTÄ AJURI ON ASENETTU, JOTTA VOISIT NAUTTIA TÄYDESTÄ KAVE XTD -KOKEMUKSESTA.

1. Liitä USB-liitin tietokoneesi vapaaseen USB-liitäntään.
2. Aseta asennus-CD-ROM tietokoneeseen tai lataa ajuri osoitteesta roccat.org/support.
3. Asenna ajuri.
4. Käynnistä tietokoneesi uudelleen, kun ajurin asennus on suoritettu loppuun.

FR

INFORMATION : INSTALLEZ LE PILOTE POUR PROFITER PLEINEMENT DES CAPACITÉS DU KAVE XTD.

1. Branchez le connecteur USB à un port USB libre de votre PC.
2. Insérez le disque d'installation ou téléchargez le pilote à partir de roccat.org/support.
3. Installez le pilote.
4. Redémarrez votre PC après la fin de l'installation du pilote.

PL

UWAGA: BY W PEŁNI KORZYSTAĆ ZE WSZYSTKICH ZALET KAVE XTD, NALEŻY UPEWNIĆ SIĘ, ŻE STEROWNIK JEST ZAINSTALOWANY.

1. Umieść wtyk USB w wolnym gnieździe USB komputera.
2. Umieść instalacyjną płytę CD w napędzie lub pobierz sterownik ze strony roccat.org/support.
3. Zainstaluj sterownik.
4. Uruchom ponownie komputer po zakończeniu instalacji sterownika.

PT

TENHA EM ATENÇÃO: PARA DESFRUTAR DA TOTAL EXPERIÊNCIA KAVE XTD, CERTIFIQUE-SE DE QUE O DRIVER ESTÁ INSTALADO.

1. Ligue a ficha USB em qualquer porta USB livre do seu computador.
2. Insira o CD-ROM de instalação ou faça download do driver em roccat.org/support.
3. Instale o driver.
4. Reinicie o seu computador após ter completado a instalação do driver.

RU

ДЛЯ ИНФОРМАЦИИ: ДЛЯ ИСПОЛЬЗОВАНИЯ ВСЕХ ВОЗМОЖНОСТЕЙ KAVE XTD НУЖНО УСТАНОВИТЬ ДРАЙВЕР.

1. Вставьте USB-коннектор в свободный USB-порт компьютера.
2. Вставьте установочный компакт-диск в дисковод или загрузите драйвер с roccat.org/support.
3. Установите драйвер.
4. Перезагрузите компьютер после завершения установки драйвера.

SE

OBSERVERA: FÖR ATT KUNNA UTNYTTJA FUNKTIONERNA HOS KAVE XTD FULLT UT MÅSTE DRIVRUTINEN INSTALLERAS.

1. Sätt USB-kontakten i en ledig USB-port på din dator.
2. Lägg in CD-skivan för att installera eller ladda ner drivrutinen från roccat.org/support.
3. Installera drivrutinen.
4. Starta om datorn när drivrutinen installerats.

Federal Communication Commission interference statement

This equipment has been tested and found to comply with the limits for a Class B digital device, pursuant to part 15 of the FCC rules. These limits are designed to provide reasonable protection against harmful interference in a residential installation. This equipment generates, uses and can radiate radio frequency energy and, if not installed and used in accordance with the instructions, may cause harmful interference to radio communications. However, there is no guarantee that interference will not occur in a particular installation. If this equipment does cause harmful interference to radio or television reception, which can be determined by turning the equipment off and on, the user is encouraged to try to correct the interference by one or more of the following measures:

- Reorient or relocate the receiving antenna.
- Increase the separation between the equipment and receiver.
- Connect the equipment into an outlet on a circuit different from that to which the receiver is connected.
- Consult the dealer or an experienced radio/TV technician for help.

This device complies with Part 15 of the FCC Rules. Operation is subject to the following two conditions:

- (1)•this device may not cause harmful interference and
- (2)•this device must accept any interference received, including interference that may cause undesired operation

The equipment complies with RF exposure limits set forth for an uncontrolled environment. The antenna(s) used for this transmitter must not be co-located or operating in conjunction with any other antenna or transmitter.

You are cautioned that changes or modifications not expressly approved by the party responsible for compliance could void your authority to operate the equipment.

해당 무선설비는 전파혼신 가능성이 있으므로 인명안전과 관련된 서비스는 할 수 없습니다.

Article 12

Without permission, any company, firm or user shall not alter the frequency, increase the power, or change the characteristics and functions of the original design of the certified lower power frequency electric machinery.

Article 14

The application of low power frequency electric machineries shall not affect the navigation safety nor interfere a legal communication, if an interference is found, the service will be suspended until improvement is made and the interference no longer exists.