

REFRIGERATOR USE & CARE GUIDE

MANUAL DE USO Y CUIDADO DEL REFRIGERADOR

GUIDE D'UTILISATION ET D'ENTRETIEN DU RÉFRIGÉRATEUR

Table of Contents / Índice / Table des matières

ASSISTANCE OR SERVICE	1	AYUDA O SERVICIO TÉCNICO	12	ASSISTANCE OU SERVICE	24
REFRIGERATOR SAFETY	1	SEGURIDAD DEL REFRIGERADOR	12	SÉCURITÉ DU RÉFRIGÉRATEUR.....	24
INSTALLATION INSTRUCTIONS	2	INSTRUCCIONES DE INSTALACIÓN	13	INSTRUCTIONS D'INSTALLATION.....	25
REFRIGERATOR USE	7	USO DE SU REFRIGERADOR	18	UTILISATION DU RÉFRIGÉRATEUR	30
REFRIGERATOR CARE.....	8	CUIDADO DE SU REFRIGERADOR.....	20	ENTRETIEN DU RÉFRIGÉRATEUR	32
TROUBLESHOOTING.....	9	SOLUCIÓN DE PROBLEMAS.....	21	DÉPANNAGE.....	33
WARRANTY.....	11	GARANTÍA.....	23	GARANTIE	35

Assistance or Service

If you need assistance or service, first see the “Troubleshooting” section. Additional help is available by calling our Customer Interaction Center at **1-800-44-ROPER (1-800-447-6737)** from anywhere in the U.S.A., or write:

**Whirlpool Corporation
Customer Interaction Center
553 Benson Road
Benton Harbor, MI 49022-2692**

In Canada, for installation and service call, **1-800-807-6777**. For assistance call **1-800-461-5681** Monday to Friday 8:00 a.m. - 6:00 p.m. (EST), Saturday 8:30 - 4:30 p.m. (EST), or write:

**Whirlpool Canada Inc.
Customer Interaction Center
1901 Minnesota Court
Mississauga, Ontario L5N 3A7**

Information may also be obtained by visiting our website at **www.roperappliances.com**.

In Canada, visit **www.roperappliances.com**.

Please include a daytime phone number in your correspondence.

Keep this book and your sales slip together for future reference. You must provide proof of purchase or installation date for in-warranty service.

Write down the following information about your appliance to help you obtain assistance or service if you ever need it. You will need to know your complete model number and serial number. You can find this information on the model and serial number label, located on the inside wall of the refrigerator compartment.

Dealer name _____
 Serial number _____
 Address _____
 Phone number _____
 Model number _____
 Purchase date _____

REFRIGERATOR SAFETY

Your safety and the safety of others are very important.

We have provided many important safety messages in this manual and on your appliance. Always read and obey all safety messages.



This is the safety alert symbol.

This symbol alerts you to potential hazards that can kill or hurt you and others.

All safety messages will follow the safety alert symbol and either the word “DANGER” or “WARNING.” These words mean:

⚠ DANGER

You can be killed or seriously injured if you don't immediately follow instructions.

⚠ WARNING

You can be killed or seriously injured if you don't follow instructions.

All safety messages will tell you what the potential hazard is, tell you how to reduce the chance of injury, and tell you what can happen if the instructions are not followed.

IMPORTANT SAFETY INSTRUCTIONS

WARNING: To reduce the risk of fire, electric shock, or injury when using your refrigerator, follow these basic precautions:

- Plug into a grounded 3 prong outlet.
- Do not remove ground prong.
- Do not use an adapter.
- Do not use an extension cord.
- Disconnect power before servicing.
- Replace all panels before operating.
- Remove doors from your old refrigerator.
- Use nonflammable cleaner.
- Keep flammable materials and vapors, such as gasoline, away from refrigerator.
- Use two or more people to move and install refrigerator.
- Disconnect power before installing ice maker (on ice maker kit ready models only).
- Use a sturdy glass when dispensing ice or water (on some models).

SAVE THESE INSTRUCTIONS

Proper Disposal of Your Old Refrigerator

⚠ WARNING

Suffocation Hazard

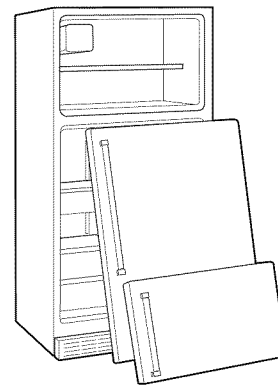
Remove doors from your old refrigerator.

Failure to do so can result in death or brain damage.

IMPORTANT: Child entrapment and suffocation are not problems of the past. Junked or abandoned refrigerators are still dangerous – even if they will sit for “just a few days.” If you are getting rid of your old refrigerator, please follow these instructions to help prevent accidents.

Before You Throw Away Your Old Refrigerator or Freezer:

- Take off the doors.
- Leave the shelves in place so that children may not easily climb inside.



INSTALLATION INSTRUCTIONS

Unpack the Refrigerator

⚠ WARNING

Excessive Weight Hazard

Use two or more people to move and install refrigerator.

Failure to do so can result in back or other injury.

Remove the Packaging

Do not use sharp instruments, rubbing alcohol, flammable fluids, or abrasive cleaners to remove tape or glue. These products can damage the surface of your refrigerator. For more information, see “Refrigerator Safety.”

IMPORTANT: Do not remove the white foam air return insert from behind the control panel on the ceiling of the refrigerator. If the insert is removed, ice may migrate down from the freezer and cause icicles to form.

When Moving Your Refrigerator:

Your refrigerator is heavy. When moving the refrigerator for cleaning or service, be sure to protect the floor. Always pull the refrigerator straight out when moving it. Do not wiggle or “walk” the refrigerator when trying to move it, as floor damage could occur.

Clean Before Using

After you remove all of the package materials, clean the inside of your refrigerator before using it. See the cleaning instructions in “Refrigerator Care.”

Important information to know about glass shelves and covers:

Do not clean glass shelves or covers with warm water when they are cold. Shelves and covers may break if exposed to sudden temperature changes or impact, such as bumping. For your protection, tempered glass is designed to shatter into many small, pebble-size pieces. This is normal. Glass shelves and covers are heavy. Use special care when removing them to avoid impact from dropping.

Location Requirements

⚠ WARNING



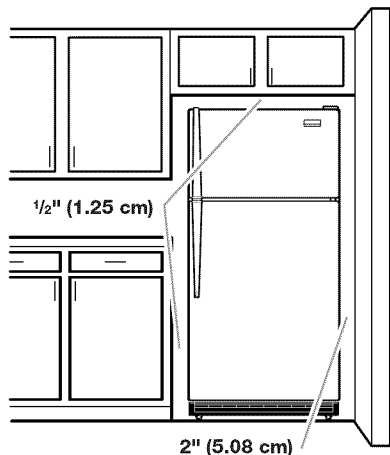
Explosion Hazard

Keep flammable materials and vapors, such as gasoline, away from refrigerator.

Failure to do so can result in death, explosion, or fire.

To ensure proper ventilation for your refrigerator, allow for a 1/2" (1.25 cm) space on each side and at the top. When installing your refrigerator next to a fixed wall, leave 2" (5.08 cm) minimum on each side (depending on your model) to allow for the door to swing open. If your refrigerator has an ice maker, allow extra space at the back for the water line connections.

NOTE: Do not install the refrigerator near an oven, radiator, or other heat source, nor in a location where the temperature will fall below 55°F (13°C).



Electrical Requirements

⚠ WARNING



Electrical Shock Hazard

Plug into a grounded 3 prong outlet.

Do not remove ground prong.

Do not use an adapter.

Do not use an extension cord.

Failure to follow these instructions can result in death, fire, or electrical shock.

Before you move your refrigerator into its final location, it is important to make sure you have the proper electrical connection.

Recommended Grounding Method

A 115 Volt, 60 Hz., AC only 15 or 20 amp fused, grounded electrical supply is required. It is recommended that a separate circuit serving only your refrigerator be provided. Use an outlet that cannot be turned off by a switch. Do not use an extension cord.

NOTE: Before performing any type of installation, cleaning, or removing a light bulb, turn the control (Thermostat, Refrigerator or Freezer Control depending on the model) to OFF and then disconnect the refrigerator from the electrical source. When you are finished, reconnect the refrigerator to the electrical source and reset the control (Thermostat, Refrigerator or Freezer Control depending on the model) to the desired setting.

Water Supply Requirements

Read all directions carefully before you begin.

IMPORTANT:

- If you turn the refrigerator on before the water line is connected, turn the ice maker OFF.
- All installations must meet local plumbing code requirements.
- Use copper tubing and check for leaks. Install copper tubing only in areas where the household temperatures will remain above freezing.

TOOLS NEEDED: Flat-blade screwdriver, 7/16" and 1/2" open-end wrenches or two adjustable wrenches, 1/4" nut driver and drill bit, hand drill or electric drill (properly grounded).

NOTE: Your refrigerator dealer has a kit available with a 1/4" (6.35 mm) saddle-type shutoff valve, a union, and copper tubing. Before purchasing, make sure a saddle-type valve complies with your local plumbing codes. Do not use a piercing-type or 3/16" (4.76 mm) saddle valve which reduces water flow and clogs more easily.

Water Pressure

A cold water supply with water pressure of between 30 and 120 psi (207 - 827 kPa) is required to operate the water dispenser and ice maker. If you have questions about your water pressure, call a licensed, qualified plumber.

Reverse Osmosis Water Supply

IMPORTANT: The pressure of the water supply coming out of a reverse osmosis system going to the water inlet valve of the refrigerator needs to be between 30 and 120 psi (207 - 827 kPa).

If a reverse osmosis water filtration system is connected to your cold water supply, the water pressure to the reverse osmosis system needs to be a minimum of 40 to 60 psi (276 - 414 kPa).

If the water pressure to the reverse osmosis system is less than 40 to 60 psi (276 - 414 kPa):

- Check to see whether the sediment filter in the reverse osmosis system is blocked. Replace the filter if necessary.
- Allow the storage tank on the reverse osmosis system to refill after heavy usage.

If you have questions about your water pressure, call a licensed, qualified plumber.

Connect the Water Supply

Read all directions before you begin.

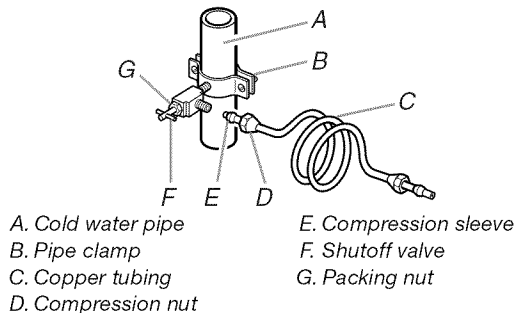
IMPORTANT: If you turn the refrigerator on before the water line is connected, turn the ice maker OFF.

Connect to Water Line

1. Unplug refrigerator or disconnect power.
2. Turn OFF main water supply. Turn ON nearest faucet long enough to clear line of water.
3. Locate a ½" to 1¼" (1.25 cm to 3.18 cm) vertical cold water pipe near the refrigerator.

IMPORTANT:

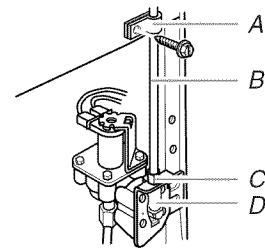
- Make sure it is a cold water pipe.
 - Horizontal pipe will work, but drill on the top side of the pipe, not the bottom. This will help keep water away from the drill and normal sediment from collecting in the valve.
4. Determine the length of copper tubing you need. Measure from the connection on the lower left rear of refrigerator to the water pipe. Add 7 ft (2.1 m) to allow for cleaning. Use ¼" (6.35 mm) O.D. (outside diameter) copper tubing. Be sure both ends of copper tubing are cut square.
 5. Using a grounded drill, drill a ¼" hole in the cold water pipe you have selected.



6. Fasten the shutoff valve to the cold water pipe with the pipe clamp. Be sure the outlet end is solidly in the ¼" drilled hole in the water pipe and that the washer is under the pipe clamp. Tighten the packing nut. Tighten the pipe clamp screws carefully and evenly so washer makes a watertight seal. Do not overtighten or you may crush the copper tubing.
 7. Slip the compression sleeve and compression nut on the copper tubing as shown. Insert the end of the tubing into the outlet end squarely as far as it will go. Screw compression nut onto outlet end with adjustable wrench. Do not overtighten.
 8. Place the free end of the tubing in a container or sink, and turn ON the main water supply. Flush the tubing until water is clear. Turn OFF the shutoff valve on the water pipe. Coil the copper tubing.
-

Connect to Refrigerator

1. Unplug refrigerator or disconnect power.
2. Attach the copper tube to the valve inlet using a compression nut and sleeve as shown. Tighten the compression nut. Do not overtighten.
3. Use the tube clamp on the back of the refrigerator to secure the tubing to the refrigerator as shown. This will help prevent damage to the tubing when the refrigerator is pushed back against the wall.
4. Turn shutoff valve ON.
5. Check for leaks. Tighten any connections (including connections at the valve) or nuts that leak.



6. The ice maker is equipped with a built-in water strainer. If your water conditions require a second water strainer, install it in the ¼" (6.35 mm) water line at either tube connection. Obtain a water strainer from your nearest appliance dealer.
7. Plug in refrigerator or reconnect power.

NOTE: Allow 24 hours to produce the first batch of ice. Discard the first three batches of ice produced. Allow 3 days to completely fill ice container.

Refrigerator Doors

TOOLS NEEDED: 5/16" hex-head socket wrench, #2 Phillips screwdriver, flat-blade screwdriver, 5/16" open-end wrench, flat 2" putty knife.

IMPORTANT:

- Before you begin, turn the refrigerator control OFF. Unplug refrigerator or disconnect power.
- Remove food and adjustable door or utility bins from doors.
- If you only want to remove and replace the doors, see "Remove Doors and Hinges" and "Replace Doors and Hinges."

Remove Doors and Hinges



5/16" Hex-Head Hinge Screw

1. Unplug refrigerator or disconnect power.
2. Open refrigerator door and remove base grille from the bottom front of the refrigerator. See Base Grille graphic.
3. Close the refrigerator door and keep both doors closed until you are ready to lift them free from the cabinet.
NOTE: Provide additional support for the doors while the hinges are being moved. Do not depend on the door magnets to hold the doors in place while you are working.
4. Remove the parts for the top hinge as shown in Top Hinge graphic. Lift the freezer door free from the cabinet.
5. Remove the parts for the center hinge as shown in the Center Hinge graphic. Lift the refrigerator door free from the cabinet.
6. Remove the parts for the bottom hinge as shown in the Bottom Hinge graphic.

Reverse Doors (optional)

IMPORTANT: If you want to reverse your doors so that they open in the opposite direction, follow these steps. If you are not reversing the doors, see "Replace Doors and Hinges."



Door Stop Screw



Door Handle Sealing Screw



Flat-Head Handle Screw



Door Handle Seal Screw Front



Door Hinge Hole Plug



Cabinet Hinge Hole Plug



Door Handle Screw Cover



Round-Head Handle Screw

Cabinet

1. Remove 5/16" hex-head hinge screws from the handle side and move them to the opposite side. See Graphic 1-1.
2. Remove the cabinet hinge hole plugs from the cabinet top and move them to the opposite side hinge holes as shown in Graphic 1-2.

Freezer door

1. Remove freezer handle assembly as shown. Keep all parts together. See Graphic 2.
2. Remove the door hinge hole plug. Move it to the opposite side as shown in Graphic 3.
3. Remove the door handle sealing screws. Move them to the opposite side of the freezer door as shown in Graphic 4.
4. Remove the door stop. Move it to the opposite side of the freezer door as shown in Graphic 5.
5. Position the freezer handle on opposite side of freezer door. Assemble handles on the door as shown in Graphic 2.
6. Tighten all screws. Set aside the door until the hinges and refrigerator compartment door are in place.

Refrigerator door

1. Remove refrigerator handle bottom trim. For **Style 1**, remove the handle screw cover. See Graphic 6-1. For **Style 2**, slide trim down as shown in Graphic 6-2.
2. Remove the refrigerator handle assembly as shown. Keep all parts together. See Graphic 6-3.
3. Remove the door hinge hole plug from refrigerator door. Move it to the opposite side hinge hole as shown in Graphic 3.
4. Remove the door handle sealing screws. Move them to the opposite side of the refrigerator door as shown in Graphic 4.
5. Remove the door handle seal screw front. Move it to the opposite side of the refrigerator door as shown in Graphic 7.
6. Remove the door stop. Move it to the opposite side of the refrigerator door as shown in Graphic 5.
7. Position the refrigerator handle on opposite side of the refrigerator door as shown in Graphic 6-3. Drive the two top screws in the handle first. Align the lower portion of the handle and drive the bottom screw.
8. Align refrigerator bottom trim. For **Style 1**, replace the door handle screw cover. See Graphic 6-1. For **Style 2**, slide trim into place. See Graphic 6-2.
9. Tighten all screws. Set aside refrigerator door until bottom hinge is installed on product.

Replace Doors and Hinges

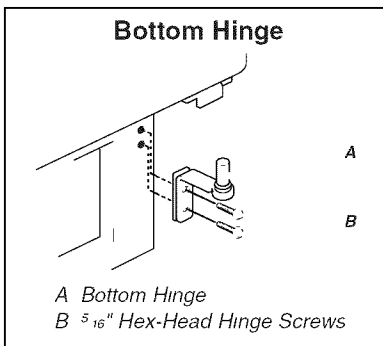
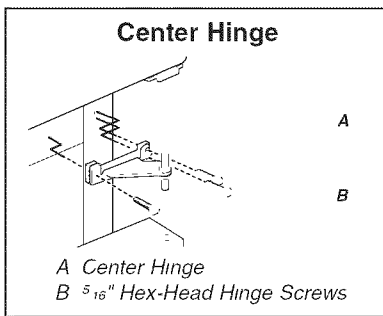
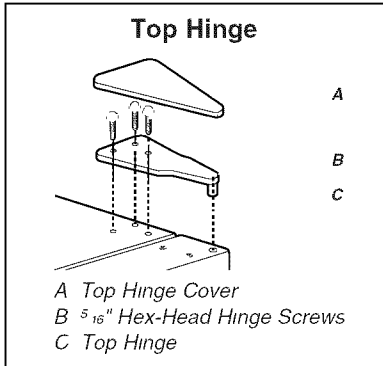
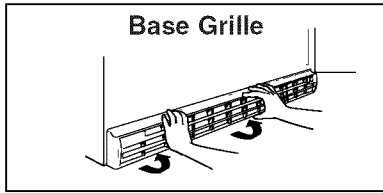
NOTE: Graphic may be reversed if door swing is reversed.

1. Replace the parts for the bottom hinge as shown and tighten screws. See Bottom Hinge graphic. Replace the refrigerator door.
NOTE: Provide additional support for the doors while the hinges are being moved. Do not depend on the door magnets to hold the doors in place while you are working.
2. Assemble the parts for the center hinge as shown and tighten all screws. See Center Hinge graphic. Replace the freezer door.
3. Assemble the parts of the top hinge as shown in the Top Hinge graphic. Do not tighten the screws completely.
4. Line up the doors so that the bottom of the freezer door aligns evenly with the top of the refrigerator door. Tighten all screws.

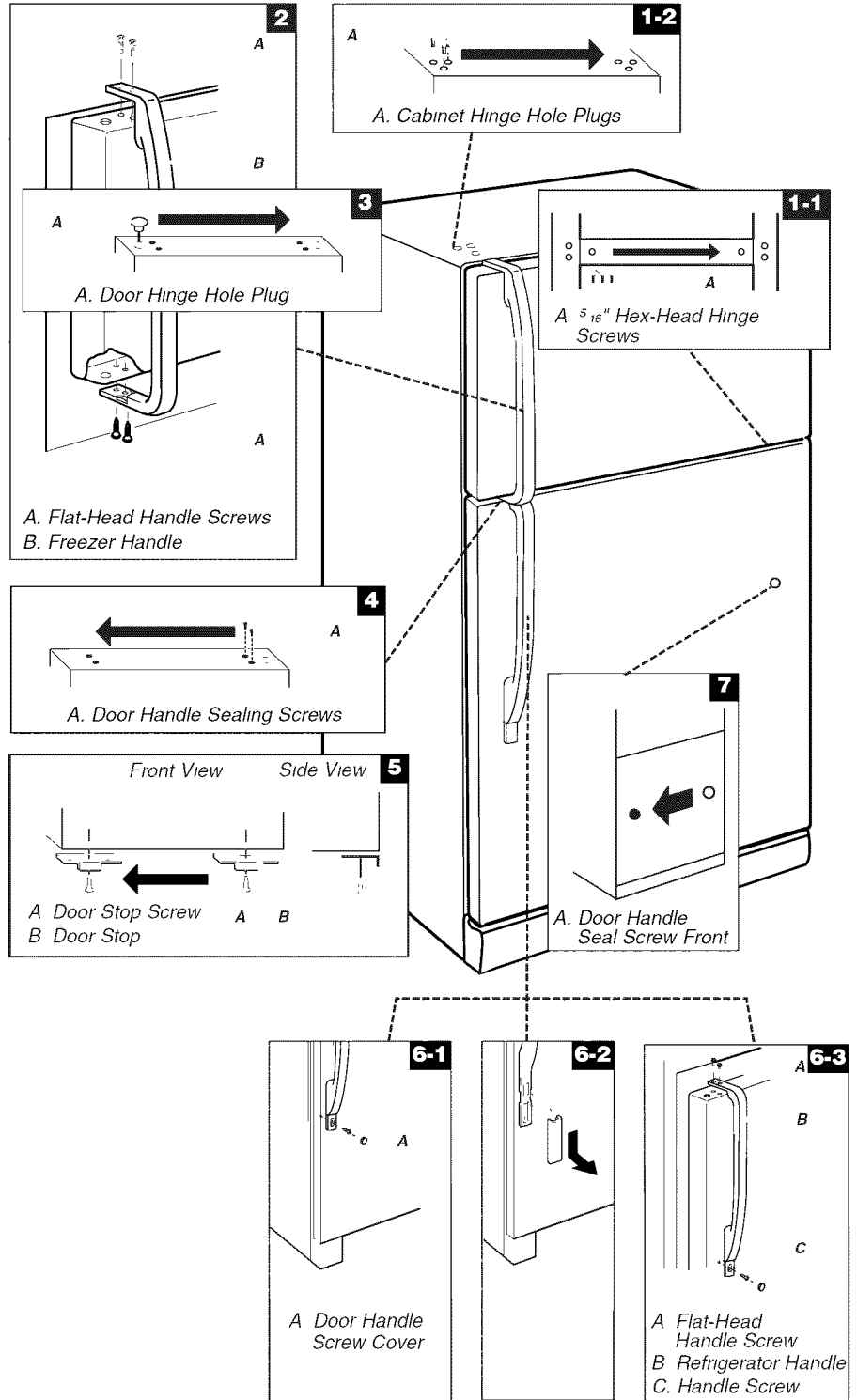
Final Steps

1. Check all the holes to make sure that hole plugs and screws are in place. Reinstall the top hinge cover as shown in the Top Hinge graphic.
2. Replace the base grille. See Base Grille graphic.
3. Plug in refrigerator or reconnect power.
4. Reset the controls. See "Using the Control(s)."
5. Return all removable door parts to doors and food to refrigerator.

Door Removal & Replacement



Standard Door - Door Swing Reversal (optional)



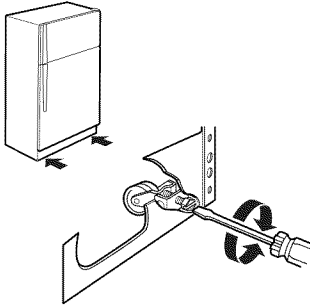
Adjust the Doors

Door Closing

Your refrigerator has two front adjustable rollers – one on the right and one on the left. If your refrigerator seems unsteady or you want the doors to close easier, adjust the refrigerator's tilt using the instructions below:

1. Plug into a grounded 3 prong outlet.
2. Move the refrigerator into its final location.
3. Remove the base grille. See Base Grille graphic. The two leveling screws are part of the front roller assemblies which are at the base of the refrigerator on either side.
4. Use a screwdriver to adjust the leveling screws. Turn the leveling screw to the right to raise that side of the refrigerator or turn the leveling screw to the left to lower that side. It may take several turns of the leveling screws to adjust the tilt of the refrigerator.

NOTE: Having someone push against the top of the refrigerator takes some weight off the leveling screws and rollers. This makes it easier to adjust the screws.



5. Open both doors again and check to make sure that they close as easily as you like. If not, tilt the refrigerator slightly more to the rear by turning both leveling screws to the right. It may take several more turns, and you should turn both leveling screws the same amount.
6. Replace the base grille.

Align Doors

If the space between your doors looks uneven, you can adjust it using the instructions below:

1. Pry off the top hinge cover.
2. Loosen the top hinge screws using a $\frac{5}{16}$ " socket or wrench.
3. Have someone hold the door in place or put a spacer between the doors while you tighten the top hinge screws.
4. Replace the top hinge cover.

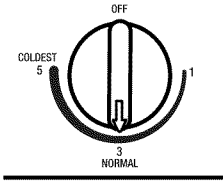
REFRIGERATOR USE

Using the Controls

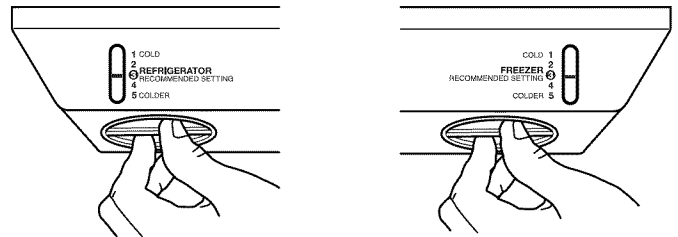
For your convenience, your refrigerator controls are preset at the factory. When you first install your refrigerator, make sure that the controls are still preset to the mid-settings as shown.

NOTE: To turn your refrigerator off, turn the refrigerator control to the word OFF or until the word OFF appears. Your product will not cool when the refrigerator control is set to OFF.

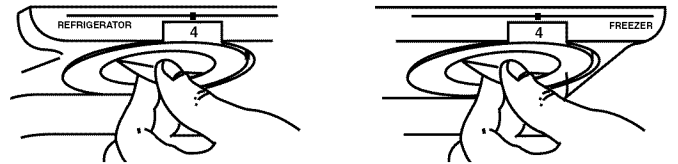
Mid-setting "3"



Mid-setting "3"



Mid-setting "4"



IMPORTANT:

- Give your refrigerator time to cool down completely before adding food. It is best to wait 24 hours before you put food into the refrigerator.
- If you add food before the refrigerator has cooled completely, your food may spoil. Adjusting the Refrigerator and Freezer Controls to a higher (colder) than recommended setting will not cool the compartments any faster.

Adjusting Controls

The mid-settings indicated in the previous section should be correct for normal household usage. The controls are set correctly when milk or juice is as cold as you like and when ice cream is firm.

If the temperature is too warm or too cold in the refrigerator or freezer, first check the air vents to be sure they are not blocked.

If you need to adjust temperatures, use the settings listed in the chart below as a guide. On models with two controls, adjust the refrigerator temperature first. Wait at least 24 hours between adjustments and then recheck the temperatures.

CONDITION/REASON:	ADJUSTMENT:
REFRIGERATOR too warm	REFRIGERATOR or TEMPERATURE Control one setting higher
FREEZER too warm/too little ice	FREEZER or TEMPERATURE Control one setting higher MAX ice production switch
REFRIGERATOR too cold	REFRIGERATOR or TEMPERATURE Control one setting lower
FREEZER too cold	FREEZER or TEMPERATURE Control one setting lower

Crisper Humidity Control (on some models)

You can control the amount of humidity in the moisture-sealed crisper. Adjust the control to any setting between LOW and HIGH.

LOW (open) for best storage of fruits and vegetables with skins.

HIGH (closed) for best storage of fresh, leafy vegetables.

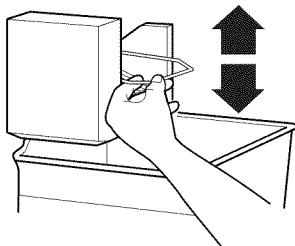
Ice Maker

Turning the Ice Maker On/Off

To turn the ice maker ON, simply lower the wire shutoff arm.

To manually turn the ice maker OFF, lift the wire shutoff arm to the OFF (arm up) position and listen for the click.

NOTE: Your ice maker has an automatic shutoff. As ice is made, the ice cubes will fill the ice storage bin and the ice cubes will raise the wire shutoff arm to the OFF (arm up) position. Do not force the wire shutoff arm up or down.



Ice Production Rate

- Allow 24 hours to produce the first batch of ice. Discard the first three batches of ice produced.
- The ice maker should produce approximately 8 to 12 batches of ice in a 24-hour period.
- To increase ice production, lower the freezer and refrigerator temperature. See "Using the Controls." Wait 24 hours between adjustments.
- For maximum ice production (on some models), push the switch to ICE PLUS. The ice maker should produce 16 to 20 batches of ice in a 24-hour period in the Ice Plus mode.

Remember

- The quality of your ice will be only as good as the quality of the water supplied to your ice maker. Avoid connecting the ice maker to a softened water supply. Water softener chemicals (such as salt) can damage parts of the ice maker and lead to poor quality ice. If a softened water supply cannot be avoided, make sure the water softener is operating properly and is well maintained.
- Never use anything sharp to break up the ice in the bin. This can cause damage to the ice container and the dispenser mechanism.
- Do not store anything on top of or in the ice maker or ice bin.

REFRIGERATOR CARE

Cleaning

⚠ WARNING



Explosion Hazard

Use nonflammable cleaner.

Failure to do so can result in death, explosion, or fire.

Both the refrigerator and freezer sections defrost automatically. However, clean both sections about once a month to prevent odors from building up. Wipe up spills immediately.

IMPORTANT: Because air circulates between both sections, any odors formed in one section will transfer to the other. You must thoroughly clean both sections to eliminate odors. To prevent odor transfer and drying out of food, wrap or cover foods tightly.

To Clean Your Refrigerator:

NOTE: Do not use abrasive or harsh cleaners such as window sprays, scouring cleansers, flammable fluids, cleaning waxes, concentrated detergents, bleaches or cleansers containing petroleum products on plastic parts, interior and door liners or gaskets. Do not use paper towels, scouring pads, or other harsh cleaning tools.

1. Unplug refrigerator or disconnect power.
2. Hand wash, rinse, and dry removable parts and interior surfaces thoroughly. Use a clean sponge or soft cloth and a mild detergent in warm water.

3. Wash stainless steel and painted metal exteriors with a clean sponge or soft cloth and a mild detergent in warm water.
4. There is no need for routine condenser cleaning in normal home operating environments. If the environment is particularly greasy or dusty, or there is significant pet traffic in the home, the condenser should be cleaned every 2 to 3 months to ensure maximum efficiency.

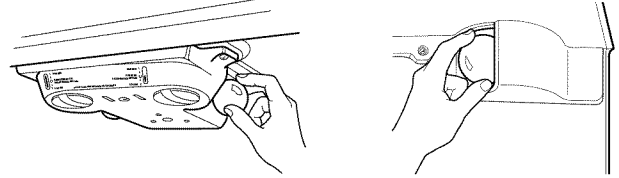
If you need to clean the condenser:

- Remove the base grille.
 - Use a vacuum cleaner with a soft brush to clean the grille, the open areas behind the grille and the front surface area of the condenser.
 - Replace the base grille when finished.
5. Plug in refrigerator or reconnect power.

Changing the Light Bulbs

NOTE: Not all bulbs will fit your refrigerator. Be sure to replace the bulb with one of the same size, shape, and wattage.

1. Unplug refrigerator or disconnect power.
2. Remove the bulb from behind the control panel in the refrigerator or from behind the light shield in the freezer (on some models). Replace it with a bulb of the same wattage.
3. Plug in refrigerator or reconnect power.



TROUBLESHOOTING

Try the solutions suggested here first in order to avoid the cost of an unnecessary service call.

Refrigerator Operation

The refrigerator will not operate

- **Power cord unplugged?** Plug into a grounded 3 prong outlet.
- **Is outlet working?** Plug in a lamp to see if the outlet is working.
- **Household fuse blown or circuit breaker tripped?** Replace the fuse or reset the circuit breaker.
- **Are controls on?** Make sure the refrigerator controls are on. See "Using the Controls."
- **New installation?** Allow 24 hours following installation for the refrigerator to cool completely.

NOTE: Adjusting the temperature controls to coldest setting will not cool either compartment more quickly.

The motor seems to run too much

Your new refrigerator may run longer than your old one due to its high-efficiency compressor and fans. The unit may run even longer if the room is warm, a large food load is added, doors are opened often, or if the doors have been left open.

The refrigerator seems noisy

Refrigerator noise has been reduced over the years. Due to this reduction, you may hear intermittent noises from your new refrigerator that you did not notice from your old model. Below are listed some normal sounds with explanations.

- **Buzzing** - heard when the water valve opens to fill the ice maker.
- **Pulsating** - fans/compressor adjusting to optimize performance.
- **Hissing/Rattling** - flow of refrigerant, movement of water lines, or from items placed on top of the refrigerator.
- **Sizzling/Gurgling** - water dripping on the heater during defrost cycle.
- **Popping** - contraction/expansion of inside walls, especially during initial cool-down.
- **Water running** - may be heard when water melts during the defrost cycle and runs into the drain pan.
- **Creaking/Cracking** - occurs as ice is being ejected from the ice maker mold.

The doors will not close completely

- **Door blocked open?** Move food packages away from door.
- **Bin or shelf in the way?** Push bin or shelf back in the correct position.

The doors are difficult to open

- **Gaskets dirty or sticky?** Clean gaskets and contact surfaces with mild soap and warm water. Rinse and dry with soft cloth.

Temperature and Moisture

Temperature is too warm

- **New installation?** Allow 24 hours following installation for the refrigerator to cool completely.
- **Door(s) opened often or left open?** Allows warm air to enter refrigerator. Minimize door openings and keep doors fully closed.
- **Large load of food added?** Allow several hours for refrigerator to return to normal temperature.
- **Controls set correctly for the surrounding conditions?** Adjust the controls a setting colder. Check temperature in 24 hours. See "Using the Controls."

There is interior moisture buildup

NOTE: Some moisture build-up is normal.

- **Humid room?** Contributes to moisture build-up.
- **Door(s) opened often or left open?** Allows humid air to enter refrigerator. Minimize door openings and keep doors fully closed.

Ice and Water

The ice maker is not producing ice or not enough ice

- **Refrigerator connected to a water supply and the supply shutoff valve turned on?** Connect refrigerator to water supply and turn water shutoff valve fully open.
- **Kink in the water source line?** A kink in the line can reduce water flow. Straighten the water source line.
- **Ice maker turned on?** Make sure wire shutoff arm or switch (depending on model) is in the ON position.
- **New installation?** Wait 24 hours after ice maker installation for ice production to begin. Wait 72 hours for full ice production.

- **Large amount of ice recently removed?** Allow 24 hours for ice maker to produce more ice.
- **Ice cube jammed in the ice maker ejector arm?** Remove ice from the ejector arm with a plastic utensil.
- **Reverse osmosis water filtration system connected to your cold water supply?** This can decrease water pressure. See "Water Supply Requirements."

The ice cubes are hollow or small

NOTE: This is an indication of low water pressure.

- **Water shutoff valve not fully open?** Turn the water shutoff valve fully open.
- **Kink in the water source line?** A kink in the line can reduce water flow. Straighten the water source line.
- **Reverse osmosis water filtration system connected to your cold water supply?** This can decrease water pressure. See "Water Supply Requirements."
- **Questions remain regarding water pressure?** Call a licensed, qualified plumber.

Off-taste, odor or gray color in the ice

- **New plumbing connections?** New plumbing connections can cause discolored or off-flavored ice.
- **Ice stored too long?** Discard ice. Wash ice bin. Allow 24 hours for ice maker to make new ice.
- **Odor transfer from food?** Use airtight, moisture proof packaging to store food.
- **Are there minerals (such as sulfur) in the water?** A water filter may need to be installed to remove the minerals.

ROPER® REFRIGERATOR WARRANTY

ONE-YEAR FULL WARRANTY ON REFRIGERATOR

For one year from the date of purchase, when this refrigerator (excluding the water filter) is operated and maintained according to instructions attached to or furnished with the product, Whirlpool Corporation will pay for FSP® replacement parts and repair labor costs to correct defects in materials or workmanship. Service must be provided by a Whirlpool designated service company.

On models with a water filter: 30 day limited warranty on water filter. For 30 days from the date of purchase, when this filter is operated and maintained according to instructions attached to or furnished with the product, Whirlpool Corporation will pay for replacement parts to correct defects in materials and workmanship.

SECOND THROUGH FIFTH YEAR FULL WARRANTY ON SEALED REFRIGERATION SYSTEM PARTS AS LISTED

In the second through fifth years from the date of purchase, when this refrigerator is operated and maintained according to instructions attached to or furnished with the product, Whirlpool Corporation will pay for FSP® replacement parts and repair labor costs to correct defects in materials or workmanship in the sealed refrigeration system. These parts are: compressor, evaporator, condenser, dryer, and connecting tubing. Service must be provided by a Whirlpool designated service company.

Whirlpool Corporation will not pay for:

1. Service calls to correct the installation of your refrigerator, to instruct you how to use your refrigerator, to replace house fuses or correct house wiring or plumbing, to replace light bulbs, or replacement water filters other than as noted above.
 2. Repairs when your refrigerator is used in other than normal, single-family household use.
 3. Pickup and delivery. Your refrigerator is designed to be repaired in the home.
 4. Damage resulting from accident, alteration, misuse, abuse, fire, flood, improper installation, acts of God, or use of products not approved by Whirlpool Corporation or Whirlpool Canada Inc.
 5. Any food loss due to product failure.
 6. Repairs to parts or systems resulting from unauthorized modifications made to the appliance.
 7. Replacement parts or repair labor costs for units operated outside the United States or Canada.
 8. In Canada, travel or transportation expenses for customers who reside in remote areas.
-

WHIRLPOOL CORPORATION AND WHIRLPOOL CANADA INC. SHALL NOT BE LIABLE FOR INCIDENTAL OR CONSEQUENTIAL DAMAGES

Some states or provinces do not allow the exclusion or limitation of incidental or consequential damages, so this exclusion or limitation may not apply to you. This warranty gives you specific legal rights, and you may also have other rights which vary from state to state or province to province.

Outside the 50 United States and Canada, this warranty does not apply. Contact your authorized Whirlpool dealer to determine if another warranty applies.

If you need service, first see the "Troubleshooting" section of this book. After checking "Troubleshooting," additional help can be found by checking the "Assistance or Service" section or by calling the Customer Interaction Center toll free at **1-800-44-ROPER (1-800-447-6737)** from anywhere in the U.S.A. For assistance in Canada, call the Customer Interaction Center at **1-800-461-5681** (toll free), or for installation and service contact your Whirlpool Canada Inc. designated service company or call **1-800-807-6777**. Outside the U.S. and Canada, contact your authorized Roper dealer.

8/01

MANUAL DE USO Y CUIDADO DEL REFRIGERADOR

Ayuda o Servicio Técnico

Si necesita ayuda o servicio técnico, vea primero la sección "Solución de Problemas". Puede obtener asistencia adicional llamando a nuestro Centro de Interacción del Cliente al **1-800-44-ROPER (1-800-447-6737)** desde cualquier lugar de los EE.UU., o escriba a:

**Whirlpool Corporation
Customer Interaction Center
553 Benson Road
Benton Harbor, MI 49022-2692**

En Canadá, para instalación y servicio, llame al **1-800-807-6777**. Para recibir asistencia llame al **1-800-461-5681**, de lunes a viernes de 8:00 a.m. a 6:00 p.m. (hora estándar del este); sábados de 8:30 a 4:30 p.m. (hora estándar del este), o escriba a:

**Whirlpool Canada Inc.
Customer Interaction Center
1901 Minnesota Court
Mississauga, Ontario L5N 3A7**

También puede obtener información visitando nuestro sitio web en **www.roperappliances.com**.

En Canadá, visite **www.roperappliances.com**.

Favor de incluir un número telefónico de día en su correspondencia.

Guarde este libro y su comprobante de compra juntos para referencia futura. Usted deberá proporcionar evidencia de la compra o una fecha de instalación para obtener servicio bajo la garantía.

Escriba la siguiente información acerca de su electrodoméstico para ayudarle a obtener asistencia o servicio técnico si alguna vez llegara a necesitarlo. Deberá tener a mano el número completo del modelo y de la serie. Puede encontrar esta información en la etiqueta con el número de modelo y de serie que está ubicada en la pared interior del compartimiento del refrigerador.

Nombre del distribuidor _____

Número de serie _____

Dirección _____

Número de teléfono _____

Número del modelo _____

Fecha de compra _____

SEGURIDAD DEL REFRIGERADOR

Su seguridad y la seguridad de los demás es muy importante.

Hemos incluido muchos mensajes importantes de seguridad en este manual y en su electrodoméstico. Lea y obedezca siempre todos los mensajes de seguridad.



Este es el símbolo de advertencia de seguridad.

Este símbolo le llama la atención sobre peligros potenciales que pueden ocasionar la muerte o una lesión a usted y a los demás.

Todos los mensajes de seguridad irán a continuación del símbolo de advertencia de seguridad y de la palabra "PELIGRO" o "ADVERTENCIA". Estas palabras significan:

⚠ PELIGRO

Si no sigue las instrucciones de inmediato, usted puede morir o sufrir una lesión grave.

⚠ ADVERTENCIA

Si no sigue las instrucciones, usted puede morir o sufrir una lesión grave.

Todos los mensajes de seguridad le dirán el peligro potencial, le dirán cómo reducir las posibilidades de sufrir una lesión y lo que puede suceder si no se siguen las instrucciones.

INSTRUCCIONES IMPORTANTES DE SEGURIDAD

ADVERTENCIA: Para reducir el riesgo de incendio, choque eléctrico, o lesiones personales al usar su refrigerador siga estas precauciones básicas:

- No quite la terminal de conexión a tierra.
- No use un cable eléctrico de extensión.
- Desconecte el suministro de energía antes de darle servicio.
- Vuelva a colocar todos los paneles antes de ponerlo a funcionar.
- Remueva las puertas de su refrigerador viejo.
- Use un limpiador no inflamable.
- No use un adaptador.
- Mantenga los materiales y vapores inflamables, tales como gasolina, alejados del refrigerador.
- Use dos o más personas para mover e instalar el refrigerador.
- Desconecte el suministro de energía antes de instalar la fábrica de hielo (en aquellos modelos que incluyen el juego de instalación de la fábrica de hielo).
- Use un vaso resistente para recibir hielo o agua del despachador (en algunos modelos).
- Conecte a un contacto de pared de conexión a tierra de 3 terminales.

CONSERVAR ESTAS INSTRUCCIONES

Cómo deshacerse adecuadamente de su refrigerador viejo

⚠ ADVERTENCIA

Peligro de Asfixia

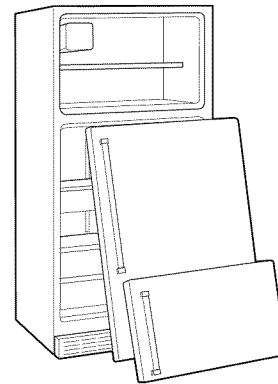
Remueva las puertas de su refrigerador viejo.

No seguir esta instrucción puede ocasionar la muerte o daño al cerebro.

IMPORTANTE: El atrapamiento y asfixia de niños no es un problema del pasado. Los refrigeradores tirados y abandonados son un peligro, aún si van a quedar ahí “por unos pocos días”. Si Ud. está por deshacerse de su refrigerador viejo, por favor siga las instrucciones que se dan a continuación para prevenir accidentes.

Antes de tirar su viejo refrigerador o congelador:

- Saque las puertas.
- Deje los estantes en su lugar para que los niños no puedan meterse con facilidad.



INSTRUCCIONES DE INSTALACIÓN

Desempaque el Refrigerador

⚠ ADVERTENCIA

Peligro de Peso Excesivo

Use dos o más personas para mover e instalar el refrigerador.

No seguir esta instrucción puede ocasionar una lesión en la espalda u otro tipo de lesiones.

IMPORTANTE: No quite el inserto de espuma blanca que está ubicado detrás del panel de control en el techo del refrigerador. Si se quita el inserto, el hielo puede bajar del congelador y hacer que se formen gotas de hielo.

Cómo mover su refrigerador:

Su refrigerador es muy pesado. Cuando mueva su refrigerador para limpiarlo o darle servicio, proteja el piso. Al mover el refrigerador, siempre tire directamente hacia afuera. No menee el refrigerador de lado a lado ni lo haga “caminar” cuando lo trate de mover ya que podría dañar el piso.

Quitar los materiales de empaque

No use instrumentos filosos, alcohol para fricciones, líquidos inflamables, o productos de limpieza abrasivos para eliminar los restos de cinta o goma. Estos productos pueden dañar la superficie de su refrigerador. Para más información, vea la sección “Seguridad del refrigerador”.

Limpiar su refrigerador antes de usarlo

Una vez que usted haya quitado todos los materiales de empaque, limpie el interior de su refrigerador antes de usarlo. Vea las instrucciones de limpieza en la sección "Cuidado de su refrigerador".

Información importante para saber acerca de los estantes y tapas de vidrio:

No limpie los estantes y tapas de vidrio con agua caliente mientras están fríos. Los estantes y tapas pueden romperse si se exponen a cambios bruscos de temperatura o impacto, como sería un golpe brusco. Para su protección, el vidrio templado se ha diseñado para hacerse añicos. Esto es normal. Los estantes y tapas de vidrio son muy pesados. Tenga mucho cuidado al sacarlos para evitar que se dañen al caer.

Requisitos de ubicación

⚠ ADVERTENCIA



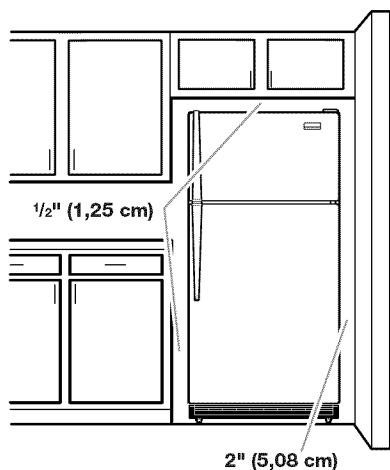
Peligro de Explosión

Mantenga los materiales y vapores inflamables, tales como gasolina, alejados del refrigerador.

No seguir esta instrucción puede ocasionar la muerte, explosión, o incendio.

Para asegurar la adecuada ventilación para su refrigerador, deje un espacio de $\frac{1}{2}$ " (1,25 cm) a cada lado y por encima. Si Ud. instala el refrigerador próximo a una pared fija, deje como mínimo 2" (5,08 cm) a cada lado (dependiendo del modelo) para permitir que la puerta abra bien. Si su refrigerador tiene una fábrica de hielo, asegúrese de que haya espacio adicional atrás para las conexiones de la línea de agua.

NOTA: No instale el refrigerador cerca de un horno, radiador u otra fuente de calor ni en una ubicación en la que la temperatura puede bajar de los 55° F (13° C).



Requisitos eléctricos

⚠ ADVERTENCIA



Peligro de Choque Eléctrico

Conecte a un contacto de pared de conexión a tierra de 3 terminales.

No quite el terminal de conexión a tierra.

No use un adaptador.

No use un cable eléctrico de extensión.

No seguir estas instrucciones puede ocasionar la muerte, incendio o choque eléctrico.

Antes de mover el refrigerador a su ubicación final, es importante asegurarse de que tiene la conexión eléctrica adecuada.

Método de conexión a tierra recomendado

Se requiere una fuente de energía eléctrica de 115 Voltios, 60 Hz., CA solamente y con fusibles de 15 ó 20 amperios, debidamente conectada a tierra. Se recomienda que use un circuito separado sólo para su refrigerador. Use un tomacorriente que no se pueda apagar con un interruptor. No use un cable de extensión.

NOTA: Antes de realizar cualquier tipo de instalación, limpieza o de quitar un foco de luz, ponga el control (del termostato, del refrigerador o del congelador dependiendo del modelo) en la posición OFF (Apagado) y luego desconecte el refrigerador de la fuente de energía. Cuando haya terminado, reconecte el refrigerador a la fuente de energía eléctrica y vuelva a poner el control (del termostato, del refrigerador o del congelador dependiendo del modelo) en la posición deseada.

Requisitos del suministro de agua

Lea todas las instrucciones con cuidado antes de comenzar.

IMPORTANTE:

- Si usa el refrigerador antes de instalar la conexión del agua, ponga la fábrica de hielo en la posición OFF (apagado).
- Todas las instalaciones deben hacerse de acuerdo a los requisitos de los códigos locales de plomería.
- Use tuberías de cobre y revise si hay fugas. Instale tubería de cobre sólo en áreas donde la temperatura va a permanecer por encima del punto de congelación.

HERRAMIENTAS REQUERIDAS: Destornillador de hoja plana, llaves de boca de $\frac{7}{16}$ " y $\frac{1}{2}$ " o dos llaves ajustables, llave para tuercas y broca de barrena de $\frac{1}{4}$ ", taladro manual o eléctrico (debidamente conectado a tierra).

NOTA: El distribuidor de su refrigerador tiene un juego disponible con una válvula de cierre tipo montura de $\frac{1}{4}$ " (6,35 mm), una unión y tubería de cobre. Antes de comprar, asegúrese que la válvula tipo montura cumpla con los códigos de plomería de su localidad. No use una válvula perforadora o una válvula de montura de $\frac{3}{16}$ " (4,76 mm) que reduce el flujo de agua y se obstruye con más facilidad.

Presión del agua

Se necesita un suministro de agua fría con presión de agua entre 30 y 120 lbs/pulg² (207 a 827 kPa) para hacer funcionar el despachador de agua y la fábrica de hielo. Si usted tiene preguntas acerca de la presión de agua, llame a un plomero competente autorizado.

Suministro de agua de ósmosis inversa

IMPORTANTE: La presión del suministro de agua que sale de un sistema de ósmosis inversa y va a la válvula de entrada de agua del refrigerador necesitará ser entre 30 y 120 lb/pulg² (207 a 827 kPa).

Si se conecta un sistema de filtración de agua de ósmosis inversa al suministro de agua fría, la presión de agua al sistema de ósmosis inversa necesitará ser de un mínimo de 40 a 60 lbs/pulg² (276 a 414 kPa).

Si la presión del agua del sistema de ósmosis inversa es menor de 40 a 60 lbs/pulg² (276 a 414 kPa):

- Fíjese si el filtro de sedimentos en el sistema de ósmosis inversa está bloqueado y reemplácelo si fuera necesario.
- Deje que se vuelva a llenar el tanque de almacenaje del sistema de ósmosis inversa después del uso intenso.

Si tiene preguntas acerca de la presión del agua, llame a un plomero competente autorizado.

Conexión del suministro de agua

Lea todas las instrucciones antes de comenzar.

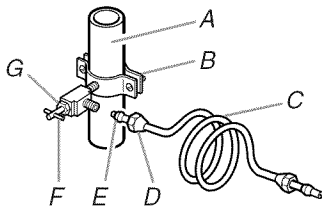
IMPORTANTE: Si usa el refrigerador antes de instalar la conexión del agua, ponga la fábrica de hielo en la posición apagado (OFF).

Conexión a la línea de agua

1. Desenchufe el refrigerador o desconecte el suministro de energía.
2. CIERRE el suministro principal de agua. ABRA la llave de agua más cercana el tiempo suficiente para que la tubería de agua se vacíe totalmente.
3. Busque una tubería vertical de agua fría de ½" a 1¼" (1,25 cm a 3,18 cm) cercana al refrigerador.

IMPORTANTE:

- Asegúrese de que sea una tubería de agua fría.
 - Una tubería horizontal funcionará, pero taladre por el lado superior de la tubería, no por debajo. Esto ayudará a mantener el agua alejada del taladro. Esto también evita que se junte sedimento normal en la válvula.
4. Para determinar la longitud de la tubería de cobre que va a necesitar, mida desde la conexión baja de la parte trasera izquierda del refrigerador hasta la tubería de agua. Agregue 7 pies (2,1 m) para la limpieza. Use tubería de cobre de ¼" (6,35 mm) de diámetro externo. Asegúrese que ambos extremos de la tubería de cobre estén cortados rectos.
 5. Usando un taladro conectado a tierra, haga un orificio de ¼" en la tubería de agua fría que Ud. eligió.



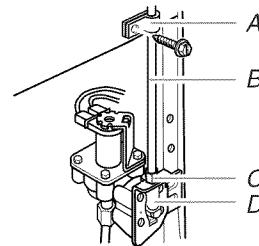
- A. Tubería de agua fría
B. Abrazadera para tubería
C. Tubería de cobre
D. Tuerca de compresión
E. Manga de compresión
F. Válvula de cierre
G. Tuerca de presión

6. Ajuste la válvula de cierre a la tubería de agua fría con la abrazadera para tubería. Asegúrese que el extremo de salida esté firmemente insertado en el orificio taladrado de ¼" en la tubería de agua y que la arandela esté por debajo de la abrazadera para tubería. Ajuste la tuerca de presión. Ajuste los tornillos de la abrazadera para tubería con cuidado y en forma pareja de manera que la arandela provea un cierre hermético. No apriete demasiado porque se puede quebrar la tubería de cobre.

7. Deslice la manga de compresión y la tuerca de compresión sobre la tubería de cobre como se muestra. Inserte el extremo de la tubería en el extremo de salida hasta donde sea posible. Atornille la tuerca de compresión sobre el extremo de salida con una llave ajustable. No apriete demasiado.
8. Coloque el extremo libre de la tubería dentro de un recipiente o fregadero, y ABRA la llave de agua principal para lavar la tubería hasta que el agua salga limpia. CIERRE la válvula de cierre del agua en la tubería de agua. Enrolle la tubería de cobre en espiral.

Conexión al refrigerador

1. Desenchufe el refrigerador o desconecte el suministro de energía.
2. Fije el tubo de cobre a la entrada de la válvula usando una tuerca de compresión y manga de compresión como se muestra. Ajuste la tuerca de compresión. No apriete demasiado.
3. Use la abrazadera para tubería en la parte trasera del refrigerador para afianzar la tubería al refrigerador según se muestra. Esto ayudará a evitar daños a la tubería cuando el refrigerador se empuje contra la pared posterior.
4. ABRA la válvula de cierre.
5. Revise si hay fugas. Ajuste las conexiones (incluso las de la válvula) o tuercas que tienen fugas.



- A. Abrazadera para tubería
B. Tubería de cobre
C. Tuerca de compresión
D. Entrada de la válvula

6. La fábrica de hielo está equipada con un filtro de agua incorporado. Si las condiciones del agua local requieren un segundo filtro de agua, se debe instalar en la línea de agua de ¼" (6,35 mm) en cualquiera de las conexiones de la tubería. Consiga un filtro de agua del distribuidor de electrodomésticos más cercano a su domicilio.
 7. Enchufe el refrigerador o reconecte el suministro de energía.
- NOTA:** Deje transcurrir 24 horas para la producción de la primera tanda de hielo. Deshágase de los tres primeros lotes de hielo producido. Deje pasar 3 días para que se llene completamente el recipiente para hielo.

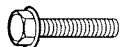
Puertas del refrigerador

HERRAMIENTAS NECESARIAS: Llave tubular de cabeza hexagonal de ⅝", destornillador Phillips No.2, destornillador de cabeza plana, llave ajustable de ⅝", cuchillo plano para masilla de 2".

IMPORTANTE:

- Antes de comenzar, fije el control del refrigerador en OFF (Apagado). Desenchufe el refrigerador o desconecte el suministro de energía.
- Quite los alimentos y la puerta ajustable o los recipientes de uso múltiple de las puertas.
- Si usted sólo quiere quitar las puertas y volverlas a colocar, vea las secciones "Cómo quitar las puertas y las bisagras" y "Cómo volver a colocar las puertas y las bisagras".

Cómo quitar las puertas y las bisagras



Tornillo de cabeza hexagonal para bisagra de 5/16"

1. Desenchufe el refrigerador o desconecte el suministro de energía.
2. Abra la puerta del refrigerador y quite la rejilla base del frente inferior del refrigerador. Vea la gráfica Rejilla de la base.
3. Cierre la puerta del refrigerador y mantenga las dos puertas cerradas hasta que esté listo para separarlas del gabinete.
NOTA: Mientras quita las bisagras disponga de un soporte adicional para las puertas. No se confíe en que los imanes de las puertas van a sostener las puertas mientras trabaja.
4. Quite los componentes de la bisagra superior como se muestra en la ilustración Bisagra superior. Levante y quite la puerta del congelador del gabinete.
5. Quite los componentes de la bisagra central como se muestra en la ilustración de la Bisagra central. Levante y quite la puerta del refrigerador del gabinete.
6. Quite los componentes de la bisagra inferior como se muestra en la ilustración Bisagra inferior.

Cambio del sentido de apertura de las puertas (opcional)

IMPORTANTE: Siga estas instrucciones si desea que las puertas abran en el sentido opuesto. Si no desea cambiar el sentido de apertura de las puertas, vea "Cómo volver a colocar las puertas y las bisagras".



Tornillo del retén de la puerta



Tapón del orificio de la bisagra de la puerta



Tornillo sellador de la manija de la puerta



Tapón del orificio de la bisagra del gabinete



Tornillo de cabeza plana de la manija



Tapa del tornillo de la manija de la puerta



Tornillo sellador frontal de la manija de la puerta



Tornillo de cabeza redonda de la manija

Gabinete

1. Quite los tornillos de cabeza hexagonal para bisagra de 5/16" del lado de la manija y colóquelos del lado opuesto. Vea la ilustración 1-1.
2. Quite los tapones de los orificios de las bisagras de la parte superior del gabinete y colóquelos en los orificios de la bisagra del lado opuesto como se indica en la ilustración 1-2.

Puerta del congelador

1. Quite la ensambladura de la manija del congelador como se indica. Conserve juntos todos los componentes. Vea la ilustración 2.
2. Quite el tapón del orificio de la bisagra de la puerta. Colóquelo del lado opuesto como se indica en la ilustración 3.

3. Quite los tornillos selladores de la manija de la puerta. Colóquelos del lado opuesto de la puerta del congelador como se indica en la ilustración 4.
4. Quite el retén de la puerta. Colóquelo del lado opuesto de la puerta del congelador, como se indica en la ilustración 5.
5. Coloque la manija del congelador del lado opuesto de la puerta del congelador. Instale las manijas en la puerta, como se indica en la ilustración 2.
6. Apriete todos los tornillos. Ponga la puerta a un lado hasta que las bisagras y la puerta del compartimiento del refrigerador estén en su sitio.

Puerta del refrigerador

1. Quite el adorno inferior de la manija del refrigerador. Para el **Estilo 1**, quite la cubierta del tornillo de la manija. Vea la ilustración 6-1. Para el **Estilo 2**, deslice hacia abajo el adorno como se ilustra en la ilustración 6-2.
2. Quite la ensambladura de la manija del refrigerador como se indica. Mantenga todos los componentes juntos. Vea la ilustración 6-3.
3. Quite el tapón del orificio de la bisagra de la puerta del refrigerador. Colóquelo en el orificio de la bisagra del lado opuesto como se indica en la ilustración 3.
4. Quite los tornillos selladores de la manija de la puerta. Colóquelos del lado opuesto de la puerta del refrigerador como se indica en la ilustración 4.
5. Quite el tornillo sellador frontal de la manija de la puerta. Colóquelo del lado opuesto de la puerta del refrigerador como se indica en la ilustración 7.
6. Quite el retén de la puerta. Colóquelo del lado opuesto de la puerta del refrigerador como se indica en la ilustración 5.
7. Coloque la manija del refrigerador del lado opuesto de la puerta del refrigerador como se indica en la ilustración 6-3. Enrosque primero los dos tornillos superiores de la manija. Alinee la parte de abajo de la manija y enrosque el tornillo de abajo.
8. Alinee el adorno inferior de la manija del refrigerador. Para el **Estilo 1**, quite la cubierta del tornillo de la manija. Vea la ilustración 6-1. Para el **Estilo 2**, deslice el adorno en su sitio. Vea la ilustración 6-2.
9. Apriete todos los tornillos. Ponga la puerta del refrigerador a un lado hasta que se haya instalado la bisagra inferior en el producto.

Cómo volver a colocar las puertas y las bisagras

NOTA: Si se cambia el sentido de apertura de la puerta, la imagen de la puerta pudiera quedar invertida.

1. Vuelva a poner los componentes de la bisagra inferior en su sitio como se indica y apriete los tornillos. Vea la ilustración Bisagra inferior. Vuelva a poner en su lugar la puerta del refrigerador.

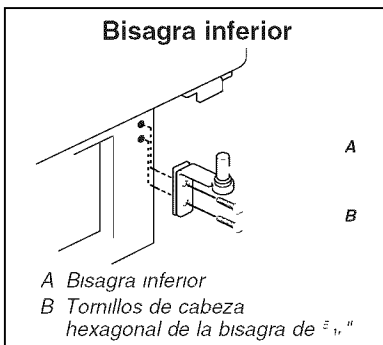
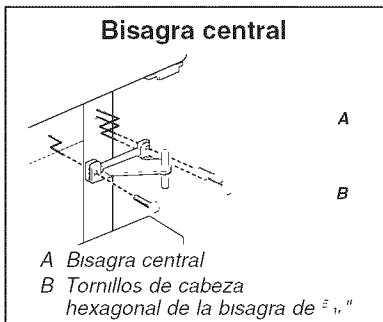
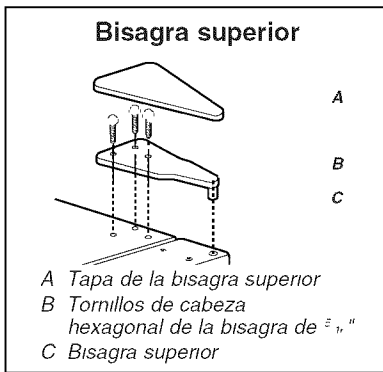
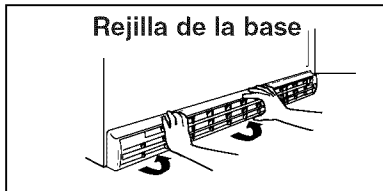
NOTA: Mientras quita las bisagras siempre disponga de un soporte adicional para las puertas. No se confíe en que los imanes de las puertas van a sostener las puertas mientras trabaja.

2. Ensamble los componentes de la bisagra central como se indica y apriete todos los tornillos. Vea la ilustración Bisagra central. Vuelva a poner en su lugar la puerta del congelador.
3. Ensamble los componentes de la bisagra superior como se indica en la ilustración Bisagra superior. No apriete completamente los tornillos.
4. Alinee las puertas de tal manera que la parte inferior de la puerta del congelador esté alineada uniformemente con la parte superior de la puerta del refrigerador. Apriete todos los tornillos.

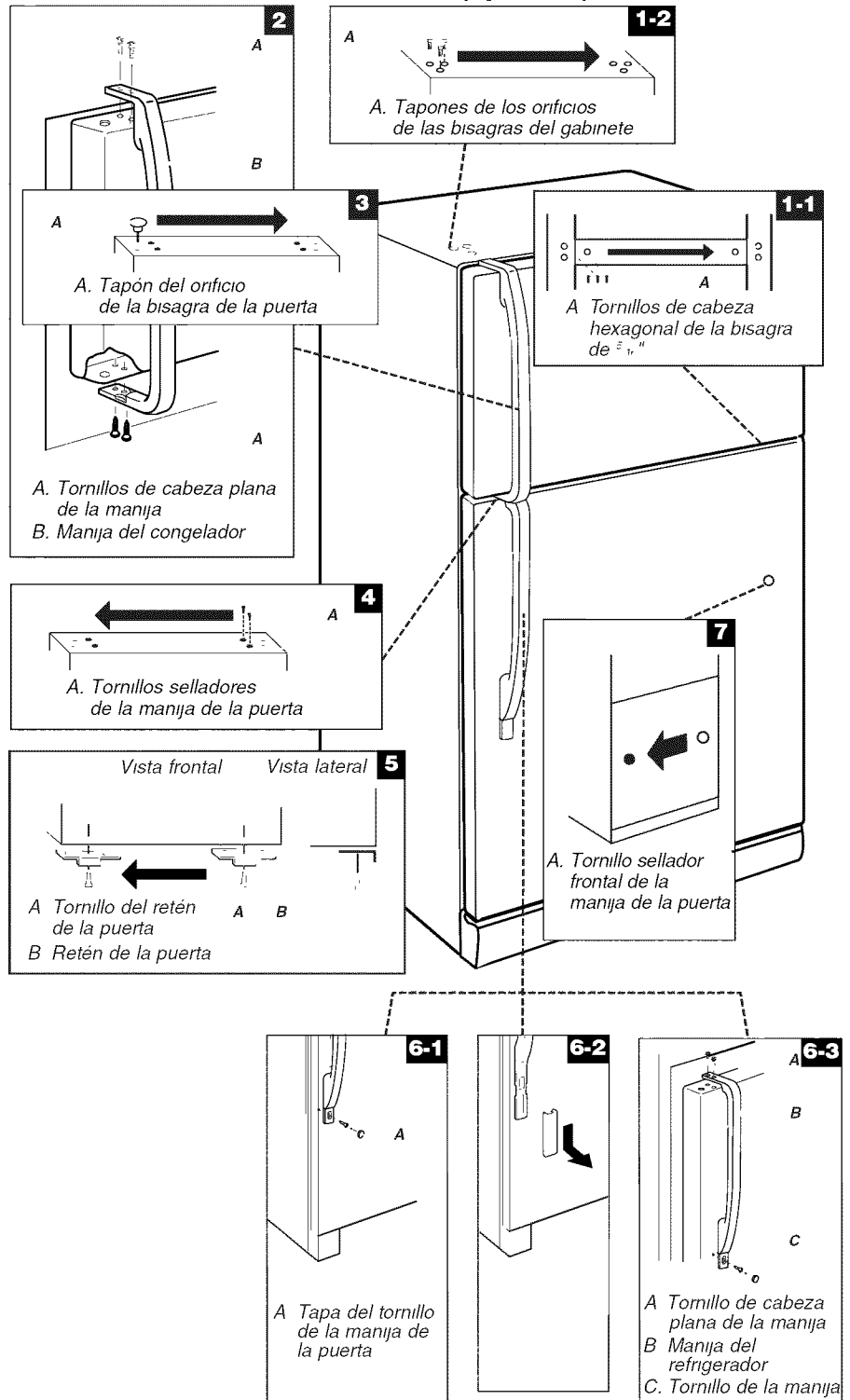
Pasos finales

1. Revise todos los orificios para cerciorarse que los tapones de los mismos y los tornillos estén en su lugar. Vuelva a colocar en su lugar la tapa de la bisagra superior como se indica en la ilustración Bisagra superior.
2. Vuelva a poner la rejilla de la base. Vea la ilustración Rejilla de la base.
3. Enchufe el refrigerador o reconecte el suministro de energía.
4. Vuelva a fijar los controles. Vea la sección "Uso del(de los) control(es)".
5. Regrese todas las partes móviles a las puertas y la comida al refrigerador.

Cómo quitar y volver a poner la puerta en su lugar



Cambio del sentido de apertura de las puertas - Puerta estándar (opcional)



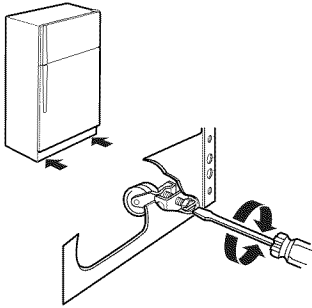
Ajuste las puertas

Cierre de la puerta

Su refrigerador tiene dos rodillos frontales regulables – uno a la derecha y otro a la izquierda. Si su refrigerador parece inestable o usted quiere que las puertas se cierren con mayor facilidad, ajuste la inclinación del refrigerador usando las instrucciones siguientes:

1. Conecte a un contacto de pared de conexión a tierra de 3 terminales.
2. Acomode el refrigerador hasta su ubicación final.
3. Quite la rejilla de la base. Vea la ilustración de la Rejilla de la base. Los dos tornillos niveladores son parte de las piezas de montaje del rodillo frontal, que están en la base del refrigerador a cada lado.
4. Use un destornillador para ajustar los tornillos niveladores. Gire el tornillo nivelador hacia la derecha para levantar ese lado del refrigerador o gire el tornillo nivelador hacia la izquierda para bajar ese lado. Puede precisar darle varias vueltas a los tornillos niveladores para ajustar la inclinación del refrigerador.

NOTA: Haga que alguien empuje la parte superior del refrigerador, lo cual quita el peso de los tornillos niveladores y los rodillos. Esto facilita el ajuste de los tornillos.



5. Abra ambas puertas nuevamente y verifique para asegurarse que se cierran con la facilidad que usted desea. De lo contrario, incline el refrigerador ligeramente más hacia la parte posterior, girando ambos tornillos niveladores hacia la derecha. Puede tomar varias vueltas más, y usted deberá girar ambos tornillos niveladores la misma cantidad de veces.
6. Vuelva a colocar la rejilla de la base.

Alineamiento de las puertas

Si el espacio entre sus puertas parece desigual, puede ajustarlo usando las instrucciones siguientes:

1. Quite la cubierta de la bisagra superior.
2. Afloje los tornillos de la bisagra superior usando una llave inglesa o de boca tubular de $\frac{5}{16}$ ".
3. Ponga una persona para sostener la puerta en su lugar o coloque entre las puertas algo que mantenga el espacio mientras usted ajusta los tornillos de la bisagra superior.
4. Vuelva a colocar la cubierta de la bisagra superior.

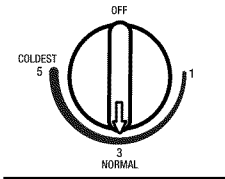
USO DE SU REFRIGERADOR

Uso de los controles

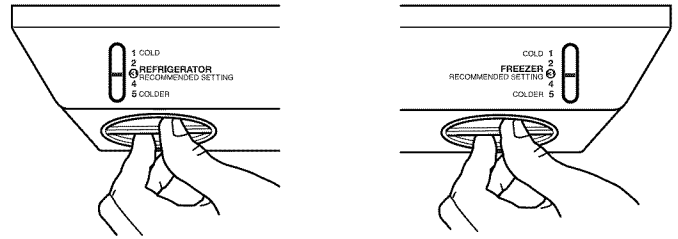
Para su conveniencia, los controles del refrigerador vienen programados desde la fábrica. Al instalar su refrigerador por primera vez, cerciórese de que los controles aún estén prefijados en los "ajustes medios", como se ilustra.

NOTA: Para apagar su refrigerador, gire el control del refrigerador hacia la palabra Apagado (OFF) o hasta que aparezca la palabra OFF. Su electrodoméstico no se enfriará mientras el control del refrigerador esté en OFF.

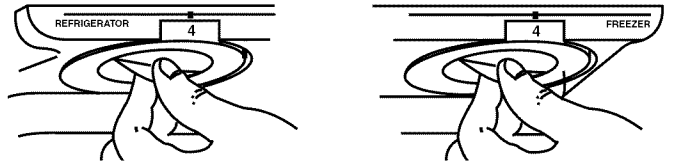
Ajuste medio "3"



Ajuste medio "3"



Ajuste medio "4"



IMPORTANTE:

- Deje que su refrigerador se enfríe por completo antes de agregar alimentos. Es mejor esperar 24 horas antes de poner alimentos en el refrigerador.
- Si agrega alimentos antes de que el refrigerador se haya enfriado por completo, sus alimentos podrían echarse a perder. Girar los controles del refrigerador o congelador a un ajuste más alto (más frío) que el recomendado no enfriará los compartimientos con mayor rapidez.

Cómo ajustar los controles

Los ajustes medios indicados en la sección previa deben ser los correctos para el uso normal de un refrigerador familiar. Los controles están ajustados correctamente cuando la leche o los jugos están tan fríos como Ud. desea y cuando el helado tiene consistencia firme.

Si la temperatura está demasiado caliente o demasiado fría en el refrigerador o en el congelador, primero verifique los conductos de ventilación para asegurarse de que no están bloqueados.

Si necesita regular las temperaturas, utilice como guía los ajustes que se enumeran en la tabla siguiente. Para modelos con dos controles, ajuste primero la temperatura del refrigerador. Espere por lo menos 24 horas entre un ajuste y otro, y después vuelva a verificar las temperaturas.

CONDICIÓN/MOTIVO:	AJUSTE:
REFRIGERADOR demasiado caliente	Control del REFRIGERADOR o de la TEMPERATURA un ajuste más alto
CONGELADOR demasiado caliente/muy poco hielo	Control del CONGELADOR o de la TEMPERATURA un ajuste más alto Interruptor de la producción máxima de hielo (MAX)
REFRIGERADOR demasiado frío	Control del REFRIGERADOR o de la TEMPERATURA un ajuste más bajo
CONGELADOR demasiado frío	Control del CONGELADOR o de la TEMPERATURA un ajuste más bajo

Control de humedad del cajón para verduras (en algunos modelos)

Usted puede controlar el nivel de humedad en el cajón hermético para verduras. Regule el control a cualquier ajuste entre Bajo (LOW) y Alto (HIGH).

LOW (Bajo - posición abierta) para el mejor almacenamiento de frutas y verduras con cáscaras.

HIGH (Alto - posición cerrada) para el mejor almacenamiento de vegetales de hoja frescos.

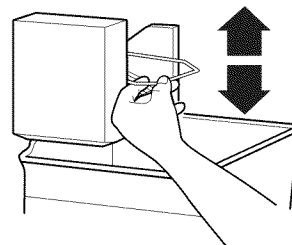
Fábrica de hielo

Para encender y apagar la fábrica de hielo

Para poner a funcionar (ON) la fábrica de hielo, sencillamente baje el brazo de control de alambre.

Para apagar (OFF) la fábrica de hielo manualmente, levante el brazo de control de alambre a la posición Apagada (OFF-brazo elevado) y escuche el chasquido.

NOTA: Su fábrica de hielo tiene un apagado automático. A medida que se produce el hielo, los cubitos de hielo llenarán el depósito para hielo y éstos levantarán el brazo de control de alambre a la posición de apagado (OFF - brazo elevado). No fuerce el brazo de control de alambre hacia arriba o hacia abajo.



Ritmo de la producción de hielo

- Deje transcurrir 24 horas para la producción del primer lote de hielo. Deshágase de los tres primeros lotes de hielo producidos.
- La fábrica de hielo deberá producir aproximadamente de 8 a 12 tandas de hielo en un período de 24 horas.
- Para aumentar la producción de hielo, baje la temperatura del congelador y del refrigerador. Vea "Uso de los controles". Deje transcurrir 24 horas entre ajustes.
- Para una máxima producción de hielo (en algunos modelos), empuje el interruptor hacia ICE PLUS (más hielo). La fábrica de hielo deberá producir entre 16 y 20 tandas de hielo en un período de 24 horas en el modo Ice Plus.

Recuerde

- La calidad del hielo dependerá de la calidad del agua que suministre a su fábrica de hielo. Evite la conexión de su fábrica de hielo a un suministro de agua blanda. Los químicos para ablandar el agua (como la sal) pueden dañar ciertos componentes de la fábrica de hielo y producir un hielo de muy baja calidad. Si no se puede evitar el uso de un suministro de agua blanda, asegúrese de que el ablandador de agua esté funcionando correctamente y que goce de un buen mantenimiento.
- Nunca use instrumentos afilados para romper el hielo en el depósito. Esto puede dañar el balde y el mecanismo de despachado.
- No guarde nada en la fábrica de hielo o en el depósito de hielo.

CUIDADO DE SU REFRIGERADOR

Limpieza

ADVERTENCIA



Peligro de Explosión

Use un limpiador no inflamable.

No seguir esta instrucción puede ocasionar la muerte, explosión o incendio.

Tanto la sección del refrigerador como la del congelador se descongelan automáticamente. No obstante, limpie ambas secciones más o menos una vez al mes para evitar la acumulación de olores. Limpie los derrames de inmediato.

IMPORTANTE: Debido a que el aire circula entre ambas secciones, los olores que se formen en una sección pasarán a la otra. Para eliminar los olores, limpie completamente ambas secciones. Para evitar la transferencia de olores y la deshidratación de los alimentos, envuelva o tape bien los alimentos.

Para limpiar su refrigerador:

NOTA: No use productos de limpieza abrasivos o ásperos, como aerosoles para ventanas, productos de limpieza para fregar, líquidos inflamables, ceras para limpieza, detergentes concentrados, blanqueadores o productos de limpieza que contengan productos de petróleo en las partes de plástico, en el interior y en los revestimientos o juntas de la puerta. No use toallas de papel, estropajos para fregar u otros utensilios de limpieza ásperos.

1. Desenchufe el refrigerador o desconecte el suministro de energía.
2. Lave a mano, enjuague y seque todas las partes desmontables y las superficies interiores meticulosamente. Use una esponja limpia o un paño liso y un detergente suave en agua tibia.

3. Lave las superficies externas metálicas pintadas y de acero inoxidable con una esponja limpia o un paño liso y detergente suave con agua tibia.

4. No es necesaria una limpieza rutinaria del condensador en ambientes de funcionamiento normal en el hogar. Si el ambiente es particularmente grasoso o polvoriento, o si hay bastante tránsito de mascotas en el hogar, el condensador deberá limpiarse cada dos o tres meses para asegurar la máxima eficacia.

Si necesita limpiar el condensador:

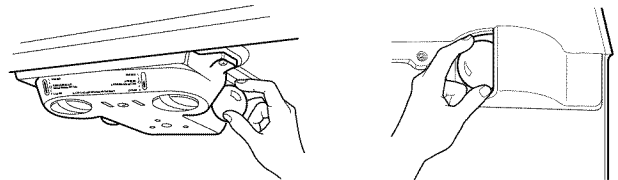
- Quite la rejilla de la base.
- Use una aspiradora con un cepillo suave para limpiar la rejilla, las áreas abiertas detrás de la rejilla y el área de la superficie frontal del condensador.
- Vuelva a colocar la rejilla de la base cuando termine.

5. Enchufe el refrigerador o reconecte el suministro de energía.

Cómo cambiar los focos

NOTA: No todos los focos son adecuados para su refrigerador. Asegúrese de reemplazar un foco con otro del mismo tamaño, forma y vatioaje.

1. Desenchufe el refrigerador o desconecte el suministro de energía.
2. Quite el foco que se encuentra detrás del panel de control en el refrigerador o detrás de la cubierta de la luz en el congelador (en algunos modelos). Reemplace el foco con un foco del mismo vatioaje.
3. Enchufe el refrigerador o reconecte el suministro de energía.



SOLUCIÓN DE PROBLEMAS

Primero pruebe las soluciones sugeridas aquí para evitar el costo innecesario del servicio.

Funcionamiento del refrigerador

El refrigerador no funciona

- **¿Está desenchufado el cable eléctrico?** Conecte a un contacto de pared de conexión a tierra de 3 terminales.
- **¿Funciona el contacto?** Enchufe una lámpara para ver si funciona el contacto.
- **¿Hay un fusible fundido o se disparó el cortacircuitos?** Reemplace el fusible o reposicione el cortacircuito.
- **¿Están encendidos los controles?** Asegúrese de que los controles del refrigerador estén encendidos. Vea "Uso de los controles".
- **¿Es nueva la instalación?** Deje transcurrir 24 horas después de la instalación para que el refrigerador se enfríe por completo.

NOTA: El ajustar los controles de temperatura en la posición más fría no enfría ningún compartimiento más rápido.

Parece que el motor funciona excesivamente

Es posible que su nuevo refrigerador funcione por períodos más largos que su refrigerador anterior debido al compresor y los ventiladores de alto rendimiento. Es posible que la unidad funcione por más tiempo si la habitación está caliente, si se ha agregado una gran cantidad de alimentos, si se abren las puertas con frecuencia o si se han dejado las mismas abiertas.

Parece que el refrigerador es ruidoso

El ruido del refrigerador se ha ido reduciendo a lo largo de los años. Debido a esta reducción, es posible que escuche ruidos intermitentes en su nuevo refrigerador que no había notado en el modelo viejo. A continuación se enumeran algunos sonidos normales con explicaciones.

- **Zumbido** - se escucha cuando la válvula de agua se abre para llenar la fábrica de hielo.
- **Sonido pulsante** - los ventiladores/el compresor se están ajustando para obtener el máximo desempeño.

- **Sonido sibilante/vibraciones** - flujo de líquido refrigerante, movimiento de la tubería de agua o artículos guardados arriba del refrigerador.
- **Chisporroteos/Gorgoteos** - agua goteando en el calentador durante el ciclo de descongelación.
- **Estallido** - contracción/expansión de la paredes interiores, especialmente durante el enfriamiento inicial.
- **Agua corriendo** - puede escucharse cuando el hielo se derrite durante el ciclo de descongelación y corre hacia la bandeja recolectora.
- **Chirridos/Crujidos** - esto ocurre cuando el hielo es expulsado del molde de la fábrica de hielo.

Las puertas no cierran completamente

- **¿Está bloqueada la puerta?** Mueva los paquetes de alimentos lejos de la puerta.
- **¿Hay un recipiente o un estante bloqueando el paso?** Empuje el recipiente o el estante nuevamente a la posición correcta.

Es difícil abrir las puertas

- **¿Están las empaquetaduras sucias o pegajosas?** Limpie las empaquetaduras y las superficies de contacto con jabón suave y agua tibia. Enjuague y seque con un paño suave.

Temperatura y humedad

La temperatura está demasiado caliente

- **¿Es una nueva instalación?** Deje transcurrir 24 horas después de la instalación para que el refrigerador se enfríe por completo.
- **¿Se abre(n) o se deja(n) abierta(s) la(s) puerta(s) a menudo?** Esto hace que entre aire tibio al refrigerador. Reduzca al mínimo el número de veces que abre la puerta y mantenga las puertas completamente cerradas.
- **¿Se ha agregado una gran cantidad de alimentos?** Deje que transcurran varias horas para que el refrigerador vuelva a la temperatura normal.
- **¿Se han ajustado los controles correctamente de acuerdo con las condiciones circundantes?** Ajuste los controles un ajuste más frío. Fíjese en la temperatura en 24 horas. Vea "Uso de los controles".

Hay acumulación de humedad en el interior

NOTA: Es normal que se acumule un poco de humedad.

- **¿Está húmeda la habitación?** Esto contribuye a la acumulación de humedad.
- **¿Se abre(n) o se deja(n) abierta(s) la(s) puerta(s) a menudo?** Esto hace que entre aire húmedo al refrigerador. Reduzca al mínimo el número de veces que abre la puerta y mantenga las puertas completamente cerradas.

Hielo y agua

La fábrica de hielo no produce hielo o no produce suficiente hielo

- **¿Se ha conectado el refrigerador a un suministro de agua y se ha abierto la válvula de cierre?** Conecte el refrigerador al suministro de agua y abra completamente la válvula de cierre.
- **¿Hay un estrechamiento en la tubería de suministro de agua?** Un estrechamiento en la tubería puede reducir el flujo de agua. Enderece la tubería de suministro de agua.
- **¿Está encendida la fábrica de hielo?** Asegúrese de que el brazo o interruptor de cierre de alambre (dependiendo del modelo) esté en la posición de ON (Encendido).

- **¿Es nueva la instalación?** Espere 24 horas después de la instalación de la fábrica de hielo para que empiece a producir hielo. Deje transcurrir 72 horas para la producción total de hielo.
- **¿Se acaba de sacar una gran cantidad de hielo?** Deje transcurrir 24 horas para que la fábrica de hielo produzca más hielo.
- **¿Se trabó un cubo de hielo en el brazo eyector de la fábrica de hielo?** Saque el hielo del brazo eyector con un utensilio de plástico.
- **¿Se ha conectado un sistema de filtración de agua de ósmosis inversa al suministro de agua fría?** Esto puede hacer que disminuya la presión de agua. Vea "Requisitos del suministro de agua".

Los cubos de hielo son huecos o pequeños

NOTA: Esto es una indicación de baja presión de agua.

- **¿No está abierta por completo la válvula de cierre de agua?** Abra completamente la válvula de cierre de agua.
- **¿Hay un estrechamiento en la tubería de suministro de agua?** Un estrechamiento en la tubería puede reducir el flujo de agua. Enderece la tubería de suministro de agua.
- **¿Se ha conectado un sistema de filtración de agua de ósmosis inversa al suministro de agua fría?** Esto puede hacer que disminuya la presión de agua. Vea "Requisitos del suministro de agua".
- **¿Aún tiene preguntas acerca de la presión de agua?** Llame a un plomero competente autorizado.

El hielo tiene mal sabor, mal olor o un color grisáceo

- **¿Son nuevas las conexiones de plomería?** Las conexiones nuevas de plomería pueden producir un hielo descolorido o de mal sabor.
- **¿Se han guardado los cubos de hielo por mucho tiempo?** Deseche ese hielo. Lave el recipiente de hielo. Deje transcurrir 24 horas para que la fábrica de hielo haga hielo nuevo.
- **¿Ha habido una transferencia de olor de los alimentos?** Use empaques herméticos contra humedad para almacenar comida.
- **¿Contiene el agua minerales (como el azufre)?** Podría ser necesario instalar un filtro de agua para eliminar los minerales.

GARANTÍA DEL REFRIGERADOR ROPER®

GARANTÍA TOTAL POR UN AÑO PARA EL REFRIGERADOR

Durante un año a partir de la fecha de compra, siempre y cuando se dé a este refrigerador (excluyendo el filtro de agua) un uso y mantenimiento de conformidad con las instrucciones adjuntas o provistas con el producto, Whirlpool Corporation se hará cargo del costo de las piezas de repuesto FSP® y del gasto del trabajo de reparación para corregir defectos en los materiales o en la mano de obra. El servicio deberá ser suministrado por una compañía de servicio designada por Whirlpool.

En los modelos con un filtro de agua: garantía limitada de 30 días del filtro de agua. Durante 30 días a partir de la fecha de compra, siempre y cuando se dé al filtro un uso y mantenimiento de conformidad con las instrucciones adjuntas o provistas con el producto, Whirlpool Corporation se hará cargo del costo de las piezas de repuesto para corregir defectos en los materiales o en la mano de obra.

GARANTÍA TOTAL DEL SEGUNDO AL QUINTO AÑO PARA LAS PARTES DEL SISTEMA DE REFRIGERACIÓN SELLADO COMO SE INDICA

Del segundo al quinto año de la fecha de compra, siempre y cuando se dé a este refrigerador un uso y mantenimiento de conformidad con las instrucciones adjuntas o provistas con el producto, Whirlpool Corporation se hará cargo del costo de las piezas de repuesto FSP® y del gasto del trabajo de reparación para corregir defectos en los materiales o en la mano de obra del sistema de refrigeración sellado. Estas partes son: compresor, evaporador, condensador, secador y los tubos conectores. El servicio deberá ser suministrado por una compañía de servicio designada por Whirlpool.

Whirlpool Corporation no pagará por:

1. Visitas de servicio técnico para corregir la instalación de su refrigerador, para enseñarle a usar su refrigerador, para cambiar fusibles domésticos o para corregir la instalación eléctrica o de la tubería de la casa, para cambiar focos de luz, o para reemplazar otros filtros de agua diferentes de los que se mencionó antes.
 2. Reparaciones cuando su refrigerador se use de un modo diferente al doméstico normal de una familia.
 3. Recogida y entrega. Su refrigerador está diseñado para ser reparado en el hogar.
 4. Daños causados por accidente, alteración, uso indebido, abuso, incendio, inundación, instalación incorrecta, actos fortuitos o el empleo de productos no aprobados por Whirlpool Corporation o Whirlpool Canada Inc.
 5. Cualquier pérdida de comida debido a las fallas del producto.
 6. Reparaciones de piezas o sistemas como resultado de modificaciones no autorizadas que se hayan efectuado en el electrodoméstico.
 7. Piezas de repuesto o gastos de reparación para unidades que se empleen fuera de los Estados Unidos o Canadá.
 8. En Canadá, gastos de viaje o de transporte para clientes que residen en zonas distantes.
-

WHIRLPOOL CORPORATION Y WHIRLPOOL CANADA INC. NO SE RESPONSABILIZARÁN POR DAÑOS INCIDENTALES O CONSECUENTES

Algunos estados o provincias no permiten la exclusión o limitación de daños incidentales o consecuentes, de modo que esta exclusión o limitación quizás no le corresponda. Esta garantía le otorga derechos legales específicos, y es posible que usted tenga también otros derechos, los cuales varían de un estado a otro o de una provincia a otra.

Esta garantía no tiene vigor fuera de los cincuenta Estados Unidos y Canadá. Póngase en contacto con el distribuidor autorizado de Whirlpool para determinar si corresponde otra garantía.

Si necesita servicio técnico, consulte primero la sección "Solución de problemas" de este libro. Después de consultar la sección "Solución de problemas", puede encontrar ayuda adicional en la sección "Ayuda o servicio técnico" o al llamar al número gratuito 1-800-44-ROPER (1-800-447-6737) del Centro de interacción del cliente desde cualquier lugar de los EE.UU. En Canadá, para asistencia, llame al Centro de interacción del cliente al 1-800-461-5681 (gratuito), o para instalación y servicio póngase en contacto con su compañía de servicio designada por Whirlpool Canada Inc. o llame al 1-800-807-6777. Fuera de los EE.UU. y Canadá, póngase en contacto con su distribuidor Roper autorizado.

8/01

GUIDE D'UTILISATION ET D'ENTRETIEN DU RÉFRIGÉRATEUR

Assistance ou service

Si vous avez besoin d'assistance ou de service, consulter d'abord la section "Dépannage". On peut obtenir de l'aide supplémentaire en téléphonant au Centre d'interaction avec la clientèle au **1-800-44-ROPER (1-800-447-6737)** de n'importe où aux É.-U., ou en écrivant à :

**Whirlpool Corporation
Customer Interaction Center
553 Benson Road
Benton Harbor, MI 49022-2692**

Au Canada, pour installation et service, appeler le **1-800-807-6777**. Pour assistance, composer le **1-800-461-5681** du lundi au vendredi - de 8 h 00 à 18 h 00 (HNE) - et le samedi de 8 h 30 à 16 h 30 (HNE), ou écrire à :

**Whirlpool Canada Inc.
Centre d'interaction avec la clientèle
1901 Minnesota Court
Mississauga, Ontario L5N 3A7**

Des informations peuvent également être obtenues en visitant notre site sur **www.roperappliances.com**.

Au Canada, visitez **www.roperappliances.com**.

Dans votre correspondance, veuillez indiquer un numéro de téléphone où l'on peut vous joindre dans la journée.

Conservez ce manuel et votre reçu de vente ensemble pour référence ultérieure. Pour le service sous garantie, vous devez présenter un document prouvant la date d'achat ou d'installation.

Inscrivez les renseignements suivants au sujet de votre appareil ménager pour vous aider à obtenir assistance ou service en cas de besoin. Vous devrez connaître le numéro de modèle et le numéro de série au complet. Vous trouverez ces renseignements sur la plaque signalétique située sur la paroi interne du compartiment de réfrigération.

Nom du marchand _____

Numéro de série _____

Adresse _____

Numéro de téléphone _____

Numéro de modèle _____

Date d'achat _____

SÉCURITÉ DU RÉFRIGÉRATEUR

Votre sécurité et celle des autres est très importante.

Nous donnons de nombreux messages de sécurité importants dans ce manuel et sur votre appareil ménager. Assurez-vous de toujours lire tous les messages de sécurité et de vous y conformer.



Voici le symbole d'alerte de sécurité.

Ce symbole d'alerte de sécurité vous signale les dangers potentiels de décès et de blessures graves à vous et à d'autres.

Tous les messages de sécurité suivront le symbole d'alerte de sécurité et le mot "DANGER" ou "AVERTISSEMENT". Ces mots signifient :

⚠ DANGER

Risque possible de décès ou de blessure grave si vous ne suivez pas immédiatement les instructions.

⚠ AVERTISSEMENT

Risque possible de décès ou de blessure grave si vous ne suivez pas les instructions.

Tous les messages de sécurité vous diront quel est le danger potentiel et vous disent comment réduire le risque de blessure et ce qui peut se produire en cas de non-respect des instructions.

IMPORTANTES INSTRUCTIONS DE SÉCURITÉ

AVERTISSEMENT : Pour réduire les risques d'incendie, de choc électrique ou des blessures lors de l'utilisation du réfrigérateur, prendre quelques précautions fondamentales, y compris les suivantes :

- Brancher l'appareil sur une prise à 3 alvéoles reliée à la terre.
- Ne pas enlever la broche de liaison à la terre.
- Ne pas utiliser un adaptateur.
- Ne pas utiliser un câble de rallonge.
- Utiliser deux ou plus de personnes pour déplacer et installer le réfrigérateur.
- Débrancher la source de courant électrique avant l'entretien.
- Replacer tous les panneaux avant de faire la remise en marche.
- Utiliser un produit de nettoyage ininflammable.
- Garder les matériaux et les vapeurs inflammables, telle que l'essence, loin du réfrigérateur.
- Débrancher le réfrigérateur avant l'installation de la machine à glaçons (seulement pour modèles prêts à recevoir une machine à glaçons).
- Utiliser un verre robuste pour prendre des glaçons ou de l'eau (sur certains modèles).
- Enlever les portes de votre vieux réfrigérateur.

CONSERVEZ CES INSTRUCTIONS

Mise au rebut de votre vieux réfrigérateur

⚠ AVERTISSEMENT

Risque de suffoquer

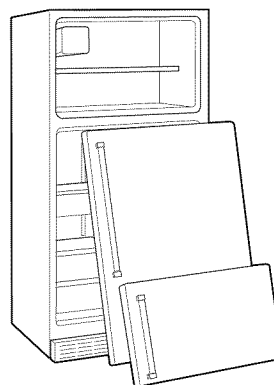
Enlever les portes de votre vieux réfrigérateur.

Le non-respect de cette instruction peut causer un décès ou des lésions cérébrales.

IMPORTANT : L'emprisonnement et l'étouffement des enfants ne sont pas un problème du passé. Les réfrigérateurs jetés ou abandonnés sont encore dangereux, même s'ils sont laissés abandonnés pendant "quelques jours seulement". Si vous vous débarrassez de votre vieux réfrigérateur, veuillez suivre les instructions suivantes pour aider à éviter les accidents.

Avant de jeter votre vieux réfrigérateur ou congélateur :

- Enlever les portes.
- Laisser les tablettes en place de sorte que les enfants ne puissent pas y pénétrer facilement.



INSTRUCTIONS D'INSTALLATION

Déballage du réfrigérateur

⚠ AVERTISSEMENT

Risque du poids excessif

Utiliser deux ou plus de personnes pour déplacer et installer le réfrigérateur.

Le non-respect de cette instruction peut causer une blessure au dos ou d'autre blessure.

IMPORTANT : Ne pas enlever le dispositif de refoulement de l'air en mousse blanche de derrière le panneau de commande sur le plafond du réfrigérateur. Si le dispositif est enlevé, de la glace peut se former en provenance du congélateur et causer la formation de glaçons.

Déplacement de votre réfrigérateur :

Votre réfrigérateur est lourd. Lors du déplacement du réfrigérateur pour le nettoyage ou le service, veiller à protéger le plancher. Toujours tirer le réfrigérateur tout droit lors du déplacement. Ne pas incliner le réfrigérateur d'un côté ou de l'autre ni le "faire marcher" en essayant de le déplacer car le plancher pourrait être endommagé.

Retirer les matériaux d'emballage

Ne pas utiliser d'instruments coupants, d'alcool à friction, de liquides inflammables ou de nettoyants abrasifs pour enlever le ruban adhésif ou la colle. Ces produits peuvent endommager la surface de votre réfrigérateur. Pour plus de renseignements, voir la section "Sécurité du réfrigérateur".

Nettoyage avant l'utilisation

Après avoir enlevé tous les matériaux d'emballage, nettoyer l'intérieur du réfrigérateur avant de l'utiliser. Voir les instructions de nettoyage dans la section "Entretien du réfrigérateur".

Importants renseignements à savoir au sujet des tablettes et des couvercles en verre :

Ne pas nettoyer les tablettes ou couvercles en verre avec de l'eau tiède quand ils sont froids. Les tablettes et les couvercles peuvent se briser s'ils sont exposés à des changements soudains de température ou à un impact tel que coup brusque. Pour votre protection, le verre trempé est conçu pour éclater en d'innombrables pièces minuscules. Ceci est normal. Les tablettes et les couvercles en verre sont lourds. Un soin spécial s'impose lors de leur déplacement pour éviter l'impact d'une chute.

Spécifications d'emplacement

⚠ AVERTISSEMENT



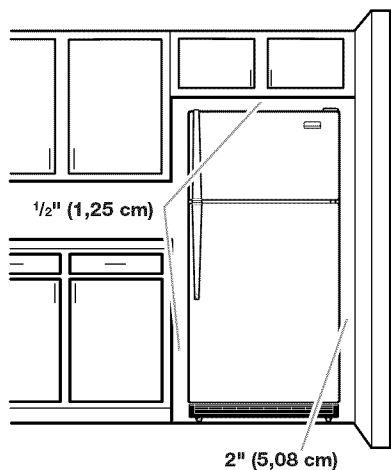
Risque d'explosion

Garder les matériaux et les vapeurs inflammables, telle que l'essence, loin du réfrigérateur.

Le non-respect de cette instruction peut causer un décès, une explosion ou un incendie.

Pour obtenir une aération appropriée pour votre réfrigérateur, laisser un espace de 1/2" (1,25 cm) de chaque côté et au sommet. Si vous installez votre réfrigérateur près d'un mur fixe, laisser un minimum de 2" (5,08 cm) de chaque côté (selon le modèle) pour permettre à la porte de s'ouvrir sans obstruction. Si votre réfrigérateur comporte une machine à glaçons, s'assurer qu'un espace additionnel est prévu à l'arrière pour permettre les connexions des conduits d'eau.

REMARQUE : Ne pas installer le réfrigérateur près d'un four, d'un radiateur ou d'une autre source de chaleur, ni dans un endroit où la température tombera au-dessous de 55°F (13°C).



Spécifications électriques

⚠ AVERTISSEMENT



Risque de choc électrique

Brancher sur une prise à 3 alvéoles reliée à la terre.

Ne pas enlever la broche de liaison à la terre.

Ne pas utiliser un adaptateur.

Ne pas utiliser un câble de rallonge.

Le non-respect de ces instructions peut causer un décès, un incendie ou un choc électrique.

Avant de placer le réfrigérateur à son emplacement final, il est important de vous assurer d'avoir la connexion électrique appropriée.

Méthode recommandée de mise à la terre

Une source d'alimentation de 115 volts, 60 Hz, type 15 ou 20 ampères CA seulement, protégée par fusible et adéquatement mise à la terre, est nécessaire. Il est recommandé d'utiliser un circuit distinct pour alimenter uniquement votre réfrigérateur. Utiliser une prise murale qui ne peut pas être mise hors circuit à l'aide d'un commutateur. Ne pas utiliser un câble de rallonge.

REMARQUE : Avant d'exécuter tout type d'installation, nettoyage ou remplacement d'une ampoule d'éclairage, tourner la commande (réglage du thermostat, du réfrigérateur ou du congélateur selon le modèle) à OFF (arrêt) et débrancher ensuite le réfrigérateur de la source d'alimentation électrique. Lorsque vous avez terminé, reconnecter le réfrigérateur à la source d'alimentation électrique et tourner de nouveau la commande (réglage du thermostat, du réfrigérateur ou du congélateur selon le modèle) au réglage désiré.

Spécifications de l'alimentation en eau

Lire attentivement toutes les instructions avant de commencer.

IMPORTANT :

- Si on doit utiliser le réfrigérateur avant qu'il soit raccordé à la canalisation d'eau, placer la commande de la machine à glaçons à la position OFF (arrêt).
- Toutes les installations doivent être conformes aux exigences des codes locaux de plomberie.
- Utiliser un tube en cuivre et vérifier s'il y a des fuites. Installer les tubes en cuivre seulement à des endroits où la température se maintient au-dessus du point de congélation.

OUTILLAGE REQUIS : Tournevis standard, clés plates de 7/16" et 1/2" ou deux clés à molette réglables, tourne-écrou et foret de 1/4", perceuse manuelle ou électrique (convenablement reliée à la terre).

REMARQUE : Votre marchand de réfrigérateurs présente une trousse disponible avec un robinet d'arrêt à étrier de 1/4" (6,35 mm), un raccord et un tube en cuivre. Avant l'achat, s'assurer que le robinet d'arrêt à étrier est conforme à vos codes locaux de plomberie. Ne pas employer de robinet d'arrêt à étrier de 3/16" (4,76 mm) ou de type à percer, ce qui réduit le débit d'eau et cause une obstruction plus facilement.

Pression de l'eau

Une alimentation en eau froide avec une pression entre 30 et 120 lb/po² (207 - 827 kPa) est nécessaire pour faire fonctionner le distributeur d'eau et la machine à glaçons. Si vous avez des questions au sujet de la pression de votre eau, appeler un plombier qualifié agréé.

Alimentation en eau par osmose inverse

IMPORTANT : La pression de l'alimentation en eau entre le système d'osmose inverse et la valve d'arrivée d'eau du réfrigérateur doit être entre 30 et 120 lb/po² (207 - 827 kPa).

Si un système de purification de l'eau par osmose inverse est raccordé à votre alimentation en eau froide, la pression de l'eau au système doit être d'un minimum de 40 à 60 lb/po² (276 - 414 kPa).

Si la pression de l'eau au système d'osmose inverse est inférieure à 40 - 60 lb/po² (276 - 414 kPa) :

- Vérifier pour voir si le filtre du système d'osmose inverse est bloqué et le remplacer si nécessaire.
- Laisser le réservoir du système d'osmose inverse se remplir après une utilisation intense.

Si vous avez des questions au sujet de la pression de votre eau, appeler un plombier qualifié agréé.

Raccordement de la canalisation d'eau

Lire attentivement toutes les instructions avant de commencer.

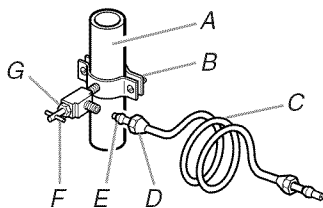
IMPORTANT : Si on doit utiliser le réfrigérateur avant qu'il soit raccordé à la canalisation d'eau, placer la commande de la machine à glaçons à la position OFF (arrêt).

Raccordement à une canalisation d'eau

1. Débrancher le réfrigérateur ou déconnecter la source de courant électrique.
2. FERMER le robinet principal d'arrivée d'eau. OUVRIR le robinet de puisage le plus proche pendant une période suffisante pour que la canalisation d'eau se vide.
3. Trouver une canalisation d'eau froide verticale de ½" à 1¼" (1,25 cm à 3,18 cm) près du réfrigérateur.

IMPORTANT :

- Assurez-vous qu'il s'agit d'un conduit d'eau froide.
 - Un conduit horizontal fonctionnera, mais percer par le dessus de la canalisation et non pas par le dessous. Ainsi, l'eau ne risquera pas d'arroser la perceuse. Ceci empêche également les sédiments qu'on trouve normalement dans l'eau de s'accumuler dans le robinet d'arrêt.
4. Pour déterminer la longueur du tube en cuivre, il faut mesurer la distance entre le point de connexion inférieur gauche à l'arrière du réfrigérateur et le tuyau d'arrivée d'eau. Ajouter une longueur de 7 pi (2,1 m) pour permettre le déplacement du réfrigérateur pour le nettoyage. Utiliser un tube en cuivre de ¼" (6,35 mm) de diamètre extérieur. Veiller à ce que le tube soit coupé d'équerre aux deux extrémités.
 5. À l'aide d'une perceuse électrique reliée à la terre, percer un trou de ¼" dans le tuyau de canalisation d'eau froide choisi.

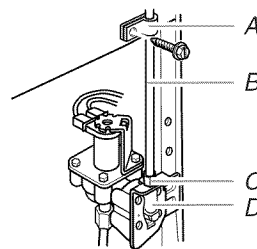


A. Canalisation d'eau froide
B. Bride de tuyau
C. Tube en cuivre
D. Écrou de compression
E. Bague de compression
F. Robinet d'arrêt
G. Écrou de serrage

6. Fixer le robinet d'arrêt sur la canalisation d'eau froide avec la bride de tuyau. Vérifier que le raccord du robinet est bien engagé dans le trou de ¼" percé dans la canalisation et que la rondelle d'étanchéité est placée sous la bride de tuyau. Serrer l'écrou de serrage. Serrer soigneusement et uniformément les vis de la bride de tuyau afin que la rondelle forme une jonction étanche. Ne pas serrer excessivement car ceci pourrait provoquer l'écrasement du tube en cuivre.
7. Enfiler l'écrou et la bague de compression du raccord sur le tube en cuivre comme on le voit sur l'illustration. Insérer l'extrémité du tube aussi loin que possible dans l'ouverture de sortie du robinet. Visser l'écrou de compression sur le raccord de sortie avec une clé à molette. Ne pas serrer excessivement.
8. Placer le bout libre du tube dans un contenant ou évier et OUVRIR le robinet principal d'arrivée d'eau et laisser l'eau s'écouler par le tube jusqu'à ce que l'eau soit limpide. FERMER le robinet principal d'arrivée d'eau. Enrouler le tube en cuivre en spirale.

Raccordement au réfrigérateur

1. Débrancher le réfrigérateur ou déconnecter la source de courant électrique.
2. Connecter le tube en cuivre au robinet d'eau en utilisant un écrou et une bague de compression tel qu'illustré. Serrer l'écrou de compression. Ne pas serrer excessivement.
3. Utiliser la bride du tube à l'arrière du réfrigérateur pour fixer le tube au réfrigérateur tel qu'illustré. Ceci aidera à empêcher les dommages au tube lorsque le réfrigérateur est poussé contre le mur.
4. OUVRIR le robinet d'arrêt.
5. Inspecter pour rechercher les fuites. Serrer tous les raccords (y compris les raccords de la valve d'entrée d'eau) ou les écrous qui coulent.



A. Bride du tube
B. Tube en cuivre
C. Écrou de compression
D. Valve d'entrée d'eau

6. La machine à glaçons est équipée d'un filtre à eau incorporé. Si la qualité de l'eau distribuée localement nécessite un deuxième filtre à eau, il serait utile de l'installer dans le tube de raccordement de ¼" (6,35 mm). On peut obtenir un tel filtre à eau chez le marchand d'appareils électroménagers le plus proche.
7. Brancher le réfrigérateur ou reconnecter la source de courant électrique.

REMARQUE : Attendre 24 heures pour produire la première quantité de glaçons. Jeter les trois premières quantités de glaçons produites. Attendre 3 jours pour que le bac à glaçons se remplisse entièrement.

Portes du réfrigérateur

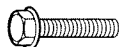
OUTILLAGE REQUIS : clé à douille avec douille hexagonale de 5/16", tournevis Phillips n° 2, tournevis à lame plate, clé plate de 5/16", couteau à mastic plat de 2".

IMPORTANT :

- Avant de commencer, tourner la commande du réfrigérateur à OFF (arrêt). Débrancher le réfrigérateur ou déconnecter la source de courant électrique.
- Retirer les aliments et tout balconnet de la porte du réfrigérateur.

- Si vous désirez seulement enlever et réinstaller les portes, voir "Démontage - Portes et charnières" et "Réinstallation - Portes et charnières".

Démontage - Portes et charnières



Vis de charnière à tête hexagonale de 5/16"

1. Débrancher le réfrigérateur ou déconnecter la source de courant électrique.
2. Ouvrir la porte du réfrigérateur; enlever la grille de la base en bas à l'avant du réfrigérateur. Voir l'illustration de la grille de la base.
3. Fermer la porte du réfrigérateur; maintenir les deux portes fermées jusqu'au moment où on est prêt à les séparer de la caisse de l'appareil.

REMARQUE : Prévoir un support additionnel des portes pendant la réinstallation des charnières. La force d'attraction des aimants des portes ne suffit pas à les maintenir en place.

4. Enlever les pièces de la charnière supérieure - voir l'illustration de la charnière supérieure. Soulever la porte du compartiment de congélation pour la séparer de la caisse.
5. Enlever les pièces de la charnière centrale - voir l'illustration de la charnière centrale. Soulever la porte du réfrigérateur pour la séparer de la caisse.
6. Enlever les pièces de la charnière inférieure - voir l'illustration de la charnière inférieure.

Inversion du sens d'ouverture des portes (facultative)

IMPORTANT : Si on souhaite inverser la position des portes pour pouvoir les ouvrir dans la direction opposée, procéder comme suit. S'il n'est pas nécessaire de changer l'orientation des portes, voir la section "Réinstallation - Portes et charnières".



Vis de butée de la porte



Bouchon obturateur de charnière de porte



Vis de blocage de la poignée de la porte



Bouchon obturateur de charnière de caisse



Vis de la poignée à tête plate



Couvre-vis de la poignée de la porte



Vis frontale de scellement de la poignée de la porte



Vis de poignée à tête ronde

Caisse

1. Enlever les vis à tête hexagonale de 5/16" de la charnière (côté poignée); transférer ces pièces du côté opposé. Voir l'illustration 1-1.
2. Enlever les bouchons d'obturation des trous de la charnière au sommet de la caisse; transférer ceux-ci dans les trous de charnière du côté opposé. Voir l'illustration 1-2.

Porte du compartiment de congélation

1. Enlever la poignée de la porte du compartiment de congélation tel qu'illustré. Conserver toutes les pièces ensemble. Voir l'illustration 2.

2. Enlever le bouchon d'obturation du trou de la charnière de la porte. Transférer le bouchon du côté opposé. Voir l'illustration 3.
3. Enlever les vis de blocage de la poignée de la porte. Les transférer du côté opposé de la porte du compartiment de congélation. Voir l'illustration 4.
4. Enlever la butée de porte. Transférer la butée du côté opposé de la porte du compartiment de congélation. Voir l'illustration 5.
5. Positionner la poignée du compartiment de congélation du côté opposé de la porte. Fixer la poignée sur la porte. Voir l'illustration 2.
6. Serrer toutes les vis. Conserver la porte à part jusqu'à la mise en place des charnières et de la porte du compartiment de réfrigération.

Porte du réfrigérateur

1. Enlever la garniture inférieure de la poignée de porte. Pour le **Style 1**, enlever le couvre-vis de la poignée. Voir l'illustration 6-1. Pour le **Style 2**, faire glisser la garniture vers le bas. Voir l'illustration 6-2.
2. Enlever la poignée de la porte du compartiment de réfrigération. Voir l'illustration. Conserver toutes les pièces ensemble. Voir l'illustration 6-3.
3. Enlever le bouchon obturateur de charnière de la porte du réfrigérateur. Transférer le bouchon d'obturation au trou du côté opposé. Voir l'illustration 3.
4. Enlever les vis de blocage de la poignée de la porte. Les transférer du côté opposé de la porte du réfrigérateur. Voir l'illustration 4.
5. Enlever la vis frontale de scellement de la poignée de porte. La transférer du côté opposé de la porte du réfrigérateur. Voir l'illustration 7.
6. Enlever la butée de porte. La transférer du côté opposé de la porte du réfrigérateur. Voir l'illustration 5.
7. Positionner la poignée de porte du réfrigérateur sur le côté opposé de la porte. Voir l'illustration 6-3. Placer d'abord les deux vis supérieures de la poignée. Aligner la partie inférieure de la poignée, puis visser la vis inférieure.
8. Aligner la garniture inférieure de la poignée de porte. Pour le **Style 1**, enlever le couvre-vis de la poignée. Voir l'illustration 6-1. Pour le **Style 2**, faire glisser la garniture en place. Voir l'illustration 6-2.
9. Serrer toutes les vis. Conserver la porte du réfrigérateur à part jusqu'à ce que la charnière inférieure soit installée sur le produit.

Réinstallation - Portes et charnières

REMARQUE : Si on inverse le sens d'ouverture des portes, considérer l'image symétrique.

1. Replacer les pièces de la charnière inférieure tel qu'illustré et resserrer les vis. Voir l'illustration de la charnière inférieure. Replacer la porte du réfrigérateur.

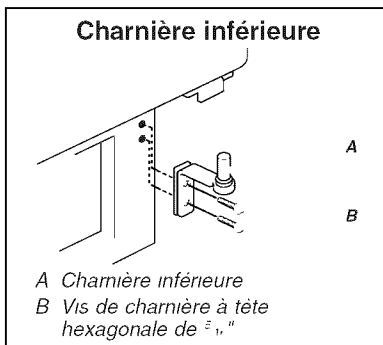
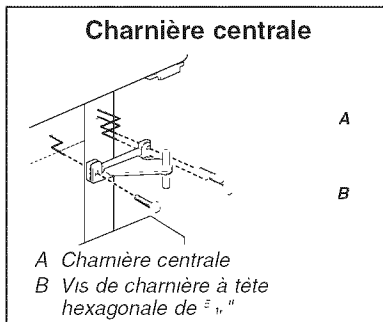
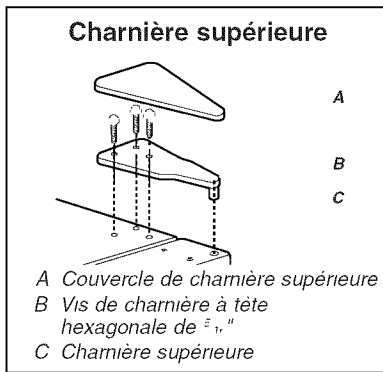
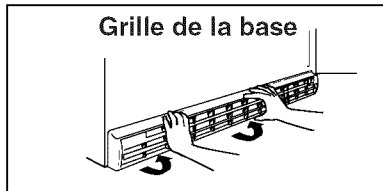
REMARQUE : Prévoir un support additionnel des portes pendant la réinstallation des charnières. La force d'attraction des aimants des portes ne suffit pas à les maintenir en place.

2. Assembler les pièces de la charnière centrale. Voir l'illustration. Serrer toutes les vis. Voir l'illustration de la charnière centrale. Replacer la porte du compartiment de congélation.
3. Assembler les pièces de la charnière supérieure. Voir l'illustration de la charnière supérieure. Ne pas complètement serrer les vis.
4. Aligner correctement les portes au niveau du bas de la porte du compartiment de congélation et du sommet de la porte du réfrigérateur. Serrer toutes les vis.

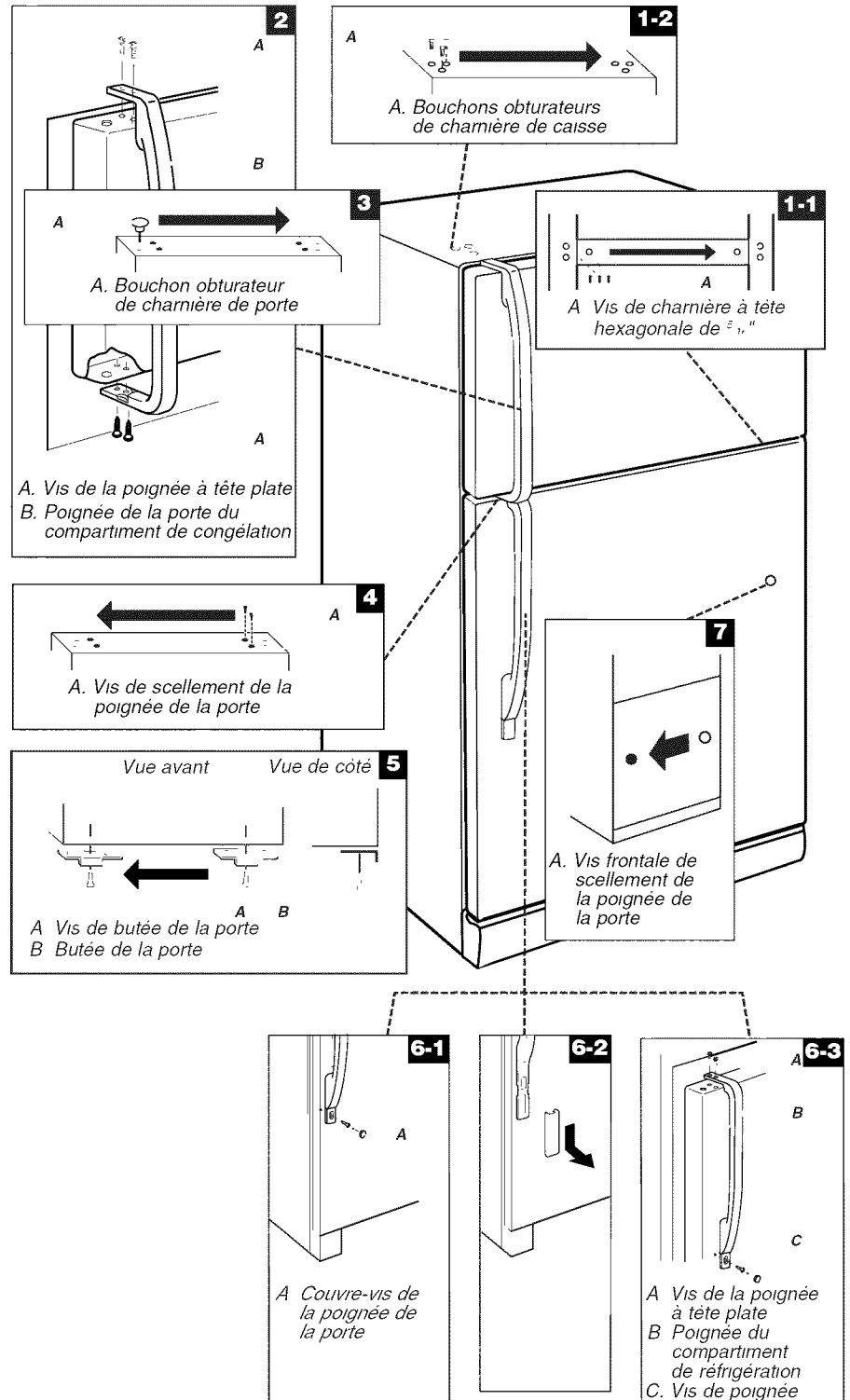
Étapes finales

1. Inspecter tous les trous. Vérifier que tous les bouchons d'obturation et vis sont en place. Réinstaller le couvercle de la charnière supérieure. Voir l'illustration de la charnière supérieure.
2. Réinstaller la grille de la base. Voir l'illustration de la grille de la base.
3. Brancher le réfrigérateur ou reconnecter la source de courant électrique.
4. Régler à nouveau les commandes. Voir "Utilisation des commandes".
5. Réinstaller toutes les pièces amovibles sur les portes; y ranger les aliments.

Démontage et réinstallation de la porte



Porte standard - Inversion du sens d'ouverture des portes (facultatif)



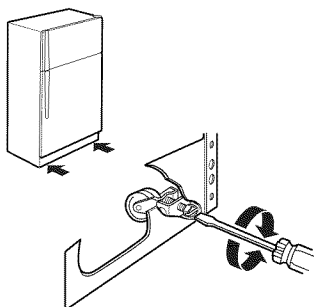
Ajustement des portes

Fermeture des portes

Votre réfrigérateur présente deux roulettes réglables à l'avant – l'une du côté droit et l'autre du côté gauche. Si votre réfrigérateur semble instable ou si vous désirez que les portes se ferment plus facilement, faire le réglage de l'inclinaison du réfrigérateur en suivant les instructions ci-dessous :

1. Brancher l'appareil sur une prise à 3 alvéoles reliée à la terre.
2. Placer le réfrigérateur à son emplacement final.
3. Enlever la grille de la base. Voir l'illustration - Grille de la base. Les deux vis de nivellement font partie des montages de roulettes avant qui sont à la base du réfrigérateur d'un côté et de l'autre.
4. Utiliser un tournevis pour ajuster les vis de nivellement. Tourner la vis de nivellement vers la droite pour soulever ce côté du réfrigérateur ou tourner la vis de nivellement vers la gauche pour abaisser ce côté. Plusieurs tours des vis de nivellement peuvent être nécessaires pour régler l'inclinaison du réfrigérateur.

REMARQUE : Si une autre personne pousse le haut du réfrigérateur, le poids devient moins lourd sur les vis de nivellement et les roulettes, ce qui rend plus facile l'ajustement des vis.



5. Ouvrir les deux portes de nouveau et s'assurer qu'elles se ferment aussi facilement que vous le désirez. Sinon, incliner le réfrigérateur un peu plus vers l'arrière en tournant les deux vis de nivellement vers la droite. Plusieurs tours peuvent être nécessaires et vous devez tourner les deux vis de nivellement d'un espace égal.
6. Réinstaller la grille de la base.

Alignement des portes

Si l'espace entre les portes semble inégal, on peut faire le réglage en suivant les instructions ci-dessous :

1. Soulever et enlever le couvercle de la charnière supérieure.
2. Dégager les vis de la charnière supérieure en utilisant une douille de 5/16" ou une clé à molette.
3. Demander à une personne de tenir la porte en place ou placer un espaceur entre les portes pendant que vous serrez les vis de la charnière supérieure.
4. Réinstaller le couvercle sur la charnière.

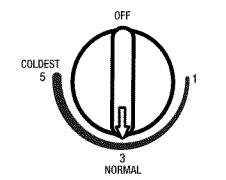
UTILISATION DU RÉFRIGÉRATEUR

Utilisation des commandes

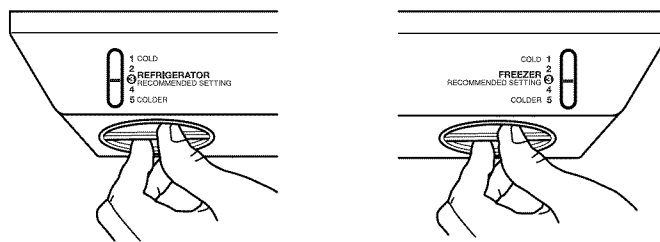
Pour vous accommoder, les commandes du réfrigérateur ont été pré-réglées à l'usine. Au moment de l'installation initiale du réfrigérateur, s'assurer que les commandes sont encore pré-réglées aux réglages moyens tel qu'illustré.

REMARQUE : Pour régler la commande du réfrigérateur à OFF (arrêt), tourner le réglage au mot OFF ou jusqu'à ce que le mot OFF (arrêt) apparaisse. Votre appareil ne se refroidira pas lorsque la commande du réfrigérateur est réglée à OFF (arrêt).

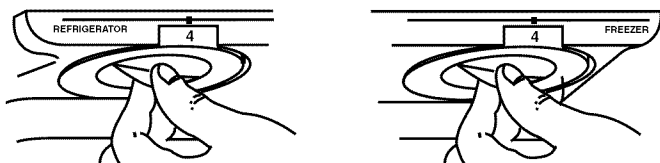
Réglage moyen "3"



Réglage moyen "3"



Réglage moyen "4"



IMPORTANT :

- Donner au réfrigérateur le temps de se refroidir complètement avant d'y ajouter des aliments. Il vaut mieux attendre 24 heures avant de placer des aliments dans le réfrigérateur.
- Si vous ajoutez des aliments avant que le réfrigérateur ne soit complètement refroidi, vos aliments peuvent se gâter. Tourner les réglages du réfrigérateur et du congélateur à un niveau plus élevé (plus froid) que les réglages recommandés ne refroidira pas les compartiments plus vite.

Ajustement des réglages de commande

Les réglages moyens indiqués à la section précédente devraient être corrects pour l'utilisation normale du réfrigérateur domestique. Les réglages sont faits correctement lorsque le lait ou le jus est aussi froid que vous l'aimez et lorsque la crème glacée est ferme.

Si la température est trop tiède ou trop froide dans le réfrigérateur ou le congélateur, vérifier d'abord les événements pour vous assurer qu'ils ne sont pas bloqués.

S'il est nécessaire d'ajuster les températures, utiliser les réglages indiqués au tableau ci-dessous comme guide. Sur les modèles à deux commandes, ajuster d'abord la température du réfrigérateur. Attendre au moins 24 heures entre les ajustements, puis revérifier les températures.

CONDITION/RAISON :	AJUSTEMENT :
REFRIGÉRATEUR trop tiède	Régler la commande du RÉFRIGÉRATEUR ou de la TEMPÉRATURE à un degré plus haut
CONGÉLATEUR trop tiède/trop peu de glaçons	Régler la commande du CONGÉLATEUR ou de la TEMPÉRATURE à un degré plus haut Commutateur de production de glaçons à MAX.
RÉFRIGÉRATEUR trop froid	Régler la commande du RÉFRIGÉRATEUR ou de la TEMPÉRATURE à un degré plus bas
CONGÉLATEUR trop froid	Régler la commande du CONGÉLATEUR ou de la TEMPÉRATURE à un degré plus bas

Réglage de l'humidité dans le bac à légumes (sur certains modèles)

On peut contrôler le degré d'humidité dans le bac à légumes étanche. La commande peut être ajustée à n'importe quel réglage entre LOW et HIGH.

LOW/bas (ouvert) pour une meilleure conservation des fruits et légumes à pelures.

HIGH/haut (fermé) pour une meilleure conservation des légumes à feuilles frais.

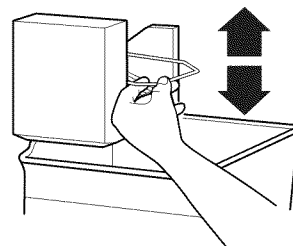
Machine à glaçons

Mise en marche/arrêt de la machine à glaçons

Pour mettre la machine à glaçons en marche, il suffit d'abaisser le bras de commande en broche.

Pour arrêter manuellement la machine à glaçons, soulever le bras de commande en broche à la position OFF (élevée) et attendre le clic.

REMARQUE : Votre machine à glaçons a un arrêt automatique. Au fur et à mesure de la fabrication de la glace, les glaçons remplissent le bac d'entreposage de glaçons. Les glaçons soulèvent le bras de commande en broche à la position OFF (élevée). Ne pas forcer le commutateur du bras en broche vers le haut ou vers le bas.



Taux de production des glaçons

- Accorder 24 heures pour produire la première quantité de glaçons. Jeter les trois premières quantités de glaçons produites.
- La machine à glaçons devrait produire environ 8 à 12 lots de glaçons au cours d'une période de 24 heures.
- Pour augmenter la production de glaçons, diminuer la température du congélateur et du réfrigérateur. Voir "Utilisation des commandes". Attendre 24 heures entre les ajustements.
- Pour une production de glaçons maximale (sur certains modèles), tourner l'interrupteur à ICE PLUS. La machine à glaçons devrait produire environ 16 à 20 lots de glaçons au cours d'une période de 24 heures en mode Ice Plus.

Rappelez-vous

- La qualité de vos glaçons sera seulement aussi bonne que la qualité de l'eau fournie à votre machine à glaçons. Éviter de brancher la machine à glaçons à un approvisionnement d'eau adoucie. Les produits chimiques adoucisseurs d'eau (tels que le sel) peuvent endommager des pièces de la machine à glaçons et causer une piètre qualité des glaçons. Si une alimentation d'eau adoucie ne peut pas être évitée, s'assurer que l'adoucisseur d'eau fonctionne bien et qu'il est bien entretenu.
- Ne jamais utiliser un objet pointu pour briser les glaçons dans le bac. Cette action peut endommager le seau et le mécanisme du distributeur.
- Ne pas garder quoi que ce soit sur le dessus ou dans la machine à glaçons ou dans le bac à glaçons.

ENTRETIEN DU RÉFRIGÉRATEUR

Nettoyage

AVERTISSEMENT



Risque d'explosion

Utiliser un produit de nettoyage ininflammable.

Le non-respect de cette instruction peut causer un décès, une explosion ou un incendie.

Les sections de réfrigération et de congélation se dégivrent automatiquement. Toutefois, nettoyer les deux sections au moins une fois par mois pour empêcher une accumulation d'odeurs. Essuyer les renversements immédiatement.

IMPORTANT : Comme l'air circule entre les deux sections, toutes les odeurs formées dans une section seront transférées à l'autre. Vous devez nettoyer à fond les deux sections pour éliminer les odeurs. Pour empêcher le transfert d'odeurs et l'assèchement des aliments, envelopper ou recouvrir hermétiquement les aliments.

Nettoyage de votre réfrigérateur :

REMARQUE : Ne pas utiliser des nettoyants abrasifs tels que les nettoyants à vitre en atomiseurs, nettoyants à récurer, liquides inflammables, cires nettoyantes, détergents concentrés, eau de Javel ou nettoyants contenant du pétrole sur les pièces en plastique, les garnitures intérieures et de portes ou les joints de portes. Ne pas utiliser d'essuie-tout, tampons à récurer ou autres outils de nettoyage abrasifs.

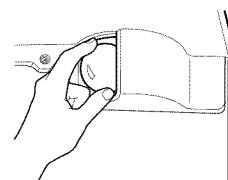
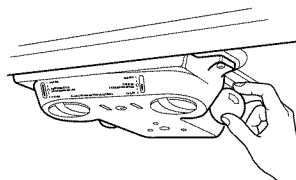
1. Débrancher le réfrigérateur ou déconnecter la source de courant électrique.
2. Laver à la main, rincer et sécher les pièces amovibles et les surfaces internes à fond. Utiliser une éponge propre ou un linge doux et un détergent doux dans de l'eau tiède.

3. Laver les surfaces extérieures en acier inoxydable ou en métal peint avec une éponge propre ou un linge doux et un détergent doux dans de l'eau tiède.
4. Le condenseur n'a pas besoin d'être nettoyé souvent dans des conditions de fonctionnement normales. Si l'environnement est particulièrement gras, poussiéreux, ou s'il y a des animaux domestiques dans la maison, le condenseur devrait être nettoyé tous les deux ou trois mois pour assurer une efficacité maximum.
Si vous avez besoin de nettoyer le condenseur :
 - Retirer la grille de la base.
 - Utiliser un aspirateur à brosse douce pour nettoyer la grille, les endroits ouverts derrière la grille et la surface à l'avant du condenseur.
 - Replacer la grille de la base lorsqu'on a terminé.
5. Brancher le réfrigérateur ou reconnecter la source de courant électrique.

Remplacement des ampoules d'éclairage

REMARQUE : Toutes les ampoules pour appareils ménagers ne s'adaptent pas forcément à votre réfrigérateur. S'assurer de remplacer l'ampoule par une ampoule de grosueur, de forme et de puissance semblables.

1. Débrancher le réfrigérateur ou déconnecter la source de courant électrique.
2. Saisir l'ampoule située derrière le tableau de commande dans le réfrigérateur ou derrière le protège-ampoule dans le congélateur (sur certains modèles) et la dévisser. Remplacer l'ampoule par une ampoule pour appareils électroménagers de même puissance.
3. Brancher le réfrigérateur ou reconnecter la source de courant électrique.



DÉPANNAGE

Essayer les solutions suggérées ici d'abord afin d'éviter le coût d'une visite de service non nécessaire.

Fonctionnement du réfrigérateur

Le réfrigérateur ne fonctionne pas

- **Le cordon d'alimentation électrique est-il débranché?** Brancher sur une prise à 3 alvéoles reliée à la terre.
- **La prise électrique fonctionne-t-elle?** Brancher une lampe pour voir si la prise fonctionne.
- **Un fusible est-il grillé ou un disjoncteur s'est-il ouvert?** Remplacer le fusible ou réarmer le disjoncteur.
- **Les réglages sont-ils sur ON (marche)?** S'assurer que les commandes du réfrigérateur sont sur ON (marche). Voir "Utilisation des commandes".
- **S'agit-il d'une nouvelle installation?** Accorder 24 heures après l'installation pour que le réfrigérateur se refroidisse complètement.

REMARQUE : Mettre les boutons de réglage de la température sur la position la plus froide ne refroidira aucun des compartiments plus rapidement.

Le moteur semble trop tourner

Il se peut que votre nouveau réfrigérateur fonctionne plus longtemps que l'ancien grâce à son compresseur à haute efficacité et ses ventilateurs. L'appareil peut fonctionner plus longtemps encore si la température de la pièce est chaude, si une importante quantité de nourriture y est ajoutée, si les portes sont fréquemment ouvertes ou si elles ont été laissées ouvertes.

Le réfrigérateur semble bruyant

Le bruit des réfrigérateurs a été réduit au cours des années. Du fait de cette réduction, il est possible d'entendre des bruits intermittents venant de votre nouveau réfrigérateur qui n'avaient pas été décelés avec votre ancien modèle. Voici une liste des sons normaux accompagnés d'explications.

- **Bourdonnement** - entendu lorsque le robinet d'arrivée d'eau s'ouvre pour remplir la machine à glaçons.
- **Pulsation** - les ventilateurs/le compresseur se règlent afin d'optimiser la performance.

- **Sifflement/cliquetis** - écoulement de liquide réfrigérant, mouvement des conduites d'eau ou d'objets posés sur le dessus du réfrigérateur.
 - **Grésillement/gargouillement** - de l'eau tombe sur l'élément de chauffage durant le programme de dégivrage.
 - **Bruit d'éclatement** - contraction/expansion des parois internes, particulièrement lors du refroidissement initial.
 - **Bruit d'écoulement d'eau** - peut être entendu lorsque la glace fond lors du programme de dégivrage et que l'eau s'écoule dans le plateau de dégivrage.
 - **Grincement/craquement** - se produit lorsque la glace est éjectée du moule à glaçons.
-

Les portes ne ferment pas complètement

- **La porte est-elle bloquée en position ouverte?** Déplacer les emballages d'aliments pour libérer la porte.
 - **Un compartiment ou une tablette bloquent-ils le passage?** Replacer le compartiment ou la tablette en position correcte.
-

Les portes sont difficiles à ouvrir

- **Les joints d'étanchéité sont-ils sales ou collants?** Nettoyer les joints et les surfaces de contact au savon doux et à l'eau tiède. Rincer et sécher avec un linge doux.
-

Température et humidité

La température est trop élevée

- **S'agit-il d'une nouvelle installation?** Accorder 24 heures après l'installation pour que le réfrigérateur se refroidisse complètement.
- **La/Les porte(s) est/sont-elle(s) fréquemment ouverte(s) ou laissée(s) ouverte(s)?** Ceci permet à l'air chaud de pénétrer dans le réfrigérateur. Minimiser les ouvertures de porte et garder les portes complètement fermées.
- **Une importante quantité d'aliments a-t-elle été ajoutée?** Accorder quelques heures pour que le réfrigérateur revienne à sa température normale.
- **Les réglages sont-ils corrects pour les conditions existantes?** Ajuster les commandes un cran plus froid. Vérifier la température au bout de 24 heures. Voir "Utilisation des commandes".

Il y a une accumulation d'humidité à l'intérieur

REMARQUE : Une certaine accumulation d'humidité est normale.

- **La pièce est-elle humide?** Ceci contribue à l'accumulation de l'humidité.
- **La/Les porte(s) est/sont-elle(s) fréquemment ouverte(s) ou laissée(s) ouverte(s)?** Ceci permet à l'air humide de pénétrer dans le réfrigérateur. Minimiser les ouvertures de porte et garder les portes complètement fermées.

Glaçons et eau

La machine à glaçons ne produit pas ou pas suffisamment de glaçons

- **Le réfrigérateur est-il connecté à l'alimentation en eau et le robinet d'arrêt d'eau est-il ouvert?** Brancher le réfrigérateur à l'alimentation en eau et ouvrir le robinet d'arrêt d'eau complètement.
- **La canalisation de la source d'eau du domicile comporte-t-elle une déformation?** Une déformation dans la canalisation peut réduire l'écoulement d'eau. Redresser la canalisation d'eau.
- **La machine à glaçons est-elle allumée?** S'assurer que le bras de commande en broche ou l'interrupteur (selon le modèle) est en position ON.
- **S'agit-il d'une nouvelle installation?** Attendre 24 heures après l'installation pour le commencement de la production de glaçons. Attendre 72 heures pour le commencement de la production complète de glaçons.
- **Une grande quantité de glaçons vient-elle d'être enlevée?** Attendre 24 heures pour que la machine à glaçons produise plus de glaçons.
- **Un glaçon est-il coincé dans le bras éjecteur?** Enlever le glaçon du bras éjecteur avec un ustensile en plastique.
- **Un système de filtration de l'eau à osmose inverse est-il connecté à votre canalisation d'eau froide?** Ceci peut diminuer la pression de l'eau. Voir "Spécifications de l'alimentation en eau".

Les glaçons sont creux ou petits

REMARQUE : Cela indique une faible pression de l'eau.

- **La valve de la canalisation d'eau n'est-elle pas complètement ouverte?** Ouvrir la valve d'eau complètement.
- **La canalisation de la source d'eau du domicile comporte-t-elle une déformation?** Une déformation dans la canalisation peut réduire l'écoulement d'eau. Redresser la canalisation d'eau.
- **Un système de filtration de l'eau à osmose inverse est-il connecté à votre canalisation d'eau froide?** Ceci peut diminuer la pression de l'eau. Voir "Spécifications de l'alimentation en eau".
- **Reste-t-il des questions concernant la pression de l'eau?** Appeler un plombier agréé et qualifié.

Goût, odeur ou couleur grise des glaçons

- **Les raccords de plomberie sont-ils neufs?** Des raccords de plomberie neufs peuvent causer une décoloration et un mauvais goût des glaçons.
- **Les glaçons ont-ils été gardés trop longtemps?** Jeter les glaçons. Laver le compartiment à glaçons. Accorder 24 heures pour la fabrication de nouveaux glaçons.
- **Y a-t-il un transfert d'odeurs de nourriture?** Utiliser des emballages étanches à l'air et à l'humidité pour conserver les aliments.
- **L'eau contient-elle des minéraux (tels que le soufre)?** L'installation d'un filtre peut être requise afin d'enlever les minéraux.

GARANTIE DU RÉFRIGÉRATEUR ROPER®

GARANTIE COMPLÈTE DE UN AN DU RÉFRIGÉRATEUR

Pendant un an à compter de la date d'achat, lorsque ce réfrigérateur (sauf le filtre à eau) a été utilisé et entretenu conformément aux instructions fournies avec le produit, Whirlpool Corporation paiera pour les pièces de rechange FSP® et la main-d'oeuvre pour corriger les vices de matériaux ou de fabrication. Le service doit être fourni par une compagnie de service désignée par Whirlpool.

Sur les modèles avec un filtre à eau : garantie limitée de 30 jours sur le filtre à eau. Pendant 30 jours à compter de la date d'achat, lorsque ce filtre est utilisé et entretenu conformément aux instructions fournies avec le produit, Whirlpool Corporation paiera les pièces de rechange pour corriger les vices de matériaux ou de fabrication.

GARANTIE COMPLÈTE DE LA DEUXIÈME À LA CINQUIÈME ANNÉE INCLUSIVEMENT SUR LES PIÈCES DU SYSTÈME DE RÉFRIGÉRATION SCÉLLÉ

De la deuxième à la cinquième année inclusivement à compter de la date d'achat, lorsque ce réfrigérateur a été utilisé et entretenu conformément aux instructions fournies avec le produit, Whirlpool Corporation paiera pour les pièces de rechange FSP® et la main-d'oeuvre pour corriger les vices de matériaux ou de fabrication du système de réfrigération scellé. Il s'agit des pièces suivantes : compresseur, évaporateur, condenseur, séchoir et conduits de connexion. Le service doit être fourni par une compagnie de service désignée par Whirlpool.

Whirlpool Corporation ne paiera pas pour :

1. Les visites de service pour rectifier l'installation du réfrigérateur, montrer à l'utilisateur comment utiliser l'appareil, remplacer des fusibles ou rectifier le câblage du domicile ou remplacer des ampoules électriques et des filtres à eau autrement qu'indiqué ci-dessus.
 2. Les réparations lorsque le réfrigérateur est utilisé à des fins autres que l'usage unifamilial normal.
 3. Le ramassage et la livraison. Le réfrigérateur est conçu pour être réparé à domicile.
 4. Les dommages causés par : accident, modification, mésusage, abus, incendie, inondation, mauvaise installation, actes de Dieu ou l'utilisation de produits non approuvés par Whirlpool Corporation ou Whirlpool Canada Inc.
 5. Toute perte d'aliments due à une défaillance du produit.
 6. Les réparations aux pièces ou systèmes résultant d'une modification non autorisée faite à l'appareil.
 7. Le coût des pièces de rechange et de la main-d'oeuvre pour les appareils utilisés hors des États-Unis ou du Canada.
 8. Au Canada, les frais de voyage ou de transport pour les clients qui habitent dans des régions éloignées.
-

WHIRLPOOL CORPORATION ET WHIRLPOOL CANADA INC. N'ASSUMENT AUCUNE RESPONSABILITÉ POUR LES DOMMAGES FORTUITS OU INDIRECTS

Certains États ou certaines provinces ne permettent pas l'exclusion ou la limitation des dommages fortuits ou indirects de sorte que cette exclusion ou limitation peut ne pas être applicable dans votre cas. Cette garantie vous donne des droits légaux spécifiques, et vous pourriez aussi avoir d'autres droits qui peuvent varier d'un État à l'autre ou d'une province à l'autre.

À l'extérieur du Canada et des 50 États des États-Unis, cette garantie ne s'applique pas. Contacter votre marchand Whirlpool autorisé pour déterminer si une autre garantie s'applique.

Si vous avez besoin de service, consulter d'abord la section "Dépannage" de ce manuel. Après avoir vérifié la section "Dépannage", on peut trouver de l'aide supplémentaire à la section "Assistance ou service", ou en téléphonant sans frais au Centre d'interaction avec la clientèle au **1-800-44-ROPER (1-800-447-6737)** de n'importe où aux É.-U. In Canada, for assistance, call the Customer Interaction Center at **1-800-461-5681** (toll free), or for installation and service contact your Whirlpool Canada Inc. designated service company or call **1-800-807-6777**. À l'extérieur des É.-U. et du Canada, contacter votre marchand autorisé Roper. 8/01

2302076

© 2004 Whirlpool Corporation.
All rights reserved.

© Registered Trademark/TM Trademark of Whirlpool, U.S.A., Whirlpool Canada Inc. licensee in Canada
Todos los derechos reservados.® Marca registrada/TM Marca de comercio de Whirlpool, EE.UU., usada bajo licencia en Canadá de Whirlpool Canada Inc.
Tous droits réservés. ® Marque déposée/TM Marque de commerce de Whirlpool, U.S.A., emploi licencié par Whirlpool Canada Inc. au Canada

5/04
Printed in U.S.A.
Impreso en EE.UU.
Imprimé aux É.-U.