

Product Summary

The Outdoor Siren SE651 is a wireless siren designed for use in Videofied security systems. The siren includes the following features:

- > Totally wireless, battery operated.
- > Dual tamper function provides detection for both wall and cover tamper.
- > Transmits check-in/status signal every 8 minutes.

Installation Guidelines

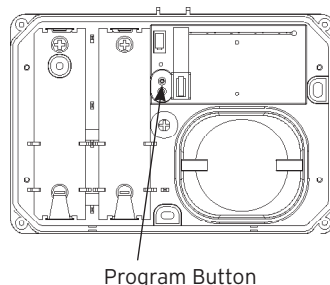
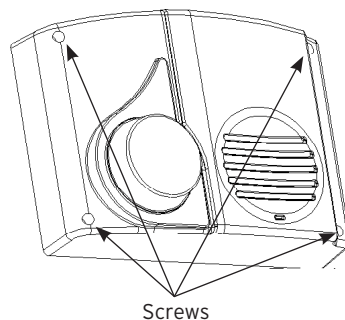
For easier installation, programming and RF testing should be done to check for good communication between the control panel and all system devices before mounting system devices. Install the siren and other system devices in the order of the following steps:

- > Programming/RF Testing - program siren and all other devices into the control panel and test RF communication from each intended device location to the control panel.
- > Mounting - mount siren at the tested location.

Programming/RF Testing

The following provides summarized steps for device programming and testing. For complete details, refer to the control panel installation manual.

- 1** Remove four cover screws, separate cover from siren and install batteries.
- 2** Put control panel into programming/configuration mode.
- 3** Using a programmed alphanumeric keypad, proceed through menus until the display shows ADD A NEW DEVICE.
- 4** Press **Yes**. The display shows PRESS PROGRAM BUTTON OF DEVICE.
- 5** Press and release program button on siren using a paper clip end. The siren LED flashes. Wait for keypad display to show SIREN (1 - 24) RECORDED.

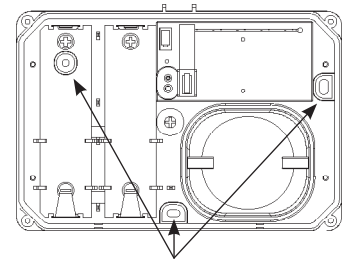


- 6** To the question "REMOTE CONTROLLED?" press: **No** to be automatically controlled by the alarm panel **Yes** if the siren is controlled by the monitoring station.
- 7** Press **Yes**. The display shows RADIO RANGE TEST? Press **Yes** again. The siren LED starts flashing and keypad display shows TEST IN PROGRESS.
- 8** Take the siren to its intended mounting location and make sure LED flashes continuously, indicating good communication with control panel.
- 9** Press **Yes** to end radio range test, then press **Esc/No**.
- 10** The display shows ADD A NEW DEVICES? Repeat steps 4 - 8 for remaining sirens.
- 11** When finished, exit from configuration mode.

Mounting

- > Use proper tools and hardware for mounting the unit.
- > Mount outdoors under eaves to help prevent direct contact from elements.
- > Mount on front of structure where strobe light is clearly visible to responding authorities.

- 1 Remove batteries.
- 2 Hold unit up against mounting surface and mark the three mounting holes.
- 3 Drill pilot holes and install anchors where needed.
- 4 Place unit on mounting surface so mounting holes line up with pilot holes/anchors and secure unit with appropriate screws.
- 5 Install batteries, observing correct polarity.
- 6 Place the flash wire of the cover to the siren.
- 7 Attach front cover.



Mounting Holes

Electrical Data

Panel Compatibility	XL, Visio, XT, XTIP
Power requirements	Four 1.5 V Alkaline Batteries
Nominal Voltage	6V
Low Battery Limit	4.8V
Battery type	Energizer Alkaline D cell - LR20
Battery life	Up to 4 years
RF technology	S ² View®
Radio type	Spread Spectrum Bidirectional
Operating frequency	915 MHz
Transmission security	AES encryption algorithm
Supervision	Polled signal every 8 minutes
Antenna	Integrated
Tamper detection	Wall and cover tampered
Speaker impedance	4 ohms
Output level	105 dB @ 1 meter
Output duration	Configured in Control Panel
Flash type	Strobe light tube
Flash duration	Matches Programmed Siren Length
Flash sequence	Four flashes/sec
Operating temperature	-30°/+60°C (-20°/+140°F)
Maximum relative humidity	90%, non-condensing
Approvals	FCC Part 15C

Physical Data

Material	ABS-ULVO
Dimensions	227 mm x 166 mm x 80 mm (LxWxD): 9 in. x 6-1/2 in. x 3 in.
Weight	880 g/31 oz. (without batteries)

Installation/Mounting

Unit/Base	Four screws secure unit to base; three screws secure unit base to mounting surface.
-----------	---

FCC Regulatory Information for USA and CANADA

FCC Part 15.21 Changes or modifications made to this equipment not expressly approved by RSI VideoTechnologies may void the FCC authorization to operate this equipment.

FCC Part 15.105 Class B

This equipment has been tested and found to comply with the limits for a Class B digital device, pursuant to Part 15 of the FCC Rules. These limits are designed to provide reasonable protection against harmful interference in a residential installation. This equipment generates, uses and can radiate radio frequency energy and, if not installed and used in accordance with the instructions, may cause harmful interference to radio communications. However, there is no guarantee that interference will not occur in a particular installation. If this equipment does cause harmful interference to radio or television reception, which can be determined by turning the equipment off and on, the user is encouraged to try to correct the interference by one or more of the following measures:

- Reorient or relocate the receiving antenna.
- Increase the separation between the equipment and receiver.
- Connect the equipment into an outlet on a circuit different from that to which the receiver is connected.
- Consult the dealer or an experienced radio/TV technician for help.

Radio frequency radiation exposure information according 2.1091 / 2.1093 / OET bulletin 65

This equipment complies with FCC radiation exposure limits set forth for an uncontrolled environment. This equipment should be installed and operated with minimum distance of 20 cm between the radiator and your body.

This transmitter must not be co-located or operating in conjunction with any other antenna or transmitter.

This device complies with Part 15 of the FCC Rules and with RSS-210 of Industry Canada.

Operation is subject to the following two conditions:

- (1) This device may not cause harmful interference, and
- (2) This device must accept any interference received, including interference that may cause undesired operation.



EMEA SALES
23, avenue du Général Leclerc
92340 BOURG-LA-REINE
FRANCE
Hotline: +33 (0)820 846 620
Fax: +33 (0)1 82 69 80 10

USA SALES
4455 White Bear Parkway, Suite 700
White Bear Lake, MN 55110
USA
Hotline: +1 877 206 5800
Fax: +1 651 762 4693

www.videofied.com

© 2011 RSI VIDEO TECHNOLOGIES. VIDEOFIED® is a Registered Trademark of RSI VIDEO TECHNOLOGIES.
S'View® is a registered trademark of RSI VIDEO TECHNOLOGIES. Specifications subject to change without notice.