

RTX 7234 Quickguide  
RTX7234 consists of:  
RTX7232 Headset  
RTX7431 Base Station





Thank you for purchasing the RTX7234 headset.

In this quick guide, you will find all necessary information regarding your new RTX7234 headset.

### RTX 7234 Key features:

- Wideband audio
- Noise-cancelling microphone
- DSP assisted echo & noise-cancellation
- Convertible wearing styles: Headband, Ear-hook and neckband
- Bendable boom arm with 270° rotation
- Acoustic shock protection
- Touch Call Control on ear cup
- Mute light in boom arm tip
- Single connectivity: USB interface
- 4 headsets conference on single-base

### PART OVERVIEW:

	<ul style="list-style-type: none"><li>Headband</li><li>Mute LED (On inside of Boom arm)</li><li>Microphone</li><li>Boom arm</li><li>Speakers</li><li>Touch area</li></ul>
	<ul style="list-style-type: none"><li>Charging pins</li><li>LED Indicator</li><li>Ports: Power, USB (Micro), Socket A = RJ12 Socket B = RJ9 Socket C = RJ45</li></ul>



## WHAT IS IN THE BOX:

- 1 pcs Base Station
- 1 pcs Headset
- 1 pcs USB micro cable
- 1 pcs Power plug

## ACCESSORIES:

Available accessories: Ear cushions in different colors

Replaceable Ear cushions are available in different colors, please contact your reseller for more information.

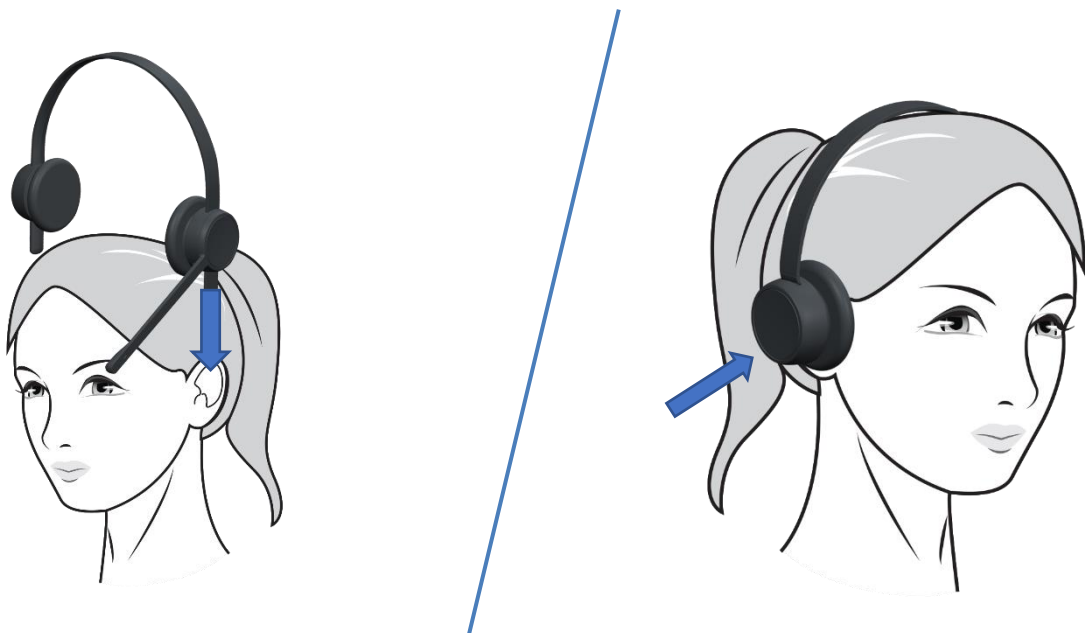
## HOW TO REMOVE THE HEADSET FROM THE CHARGING STAND:

Press the top of the right ear cushions (the one with the boom arm) and tip the headset to the left. You will feel a soft click when the headset releases.

## WEARING THE HEADSET:

All RTX corded headsets have a flexible and adjustable headband.

***For best audio experience the microphone should be placed on the left ear.***



## Adjusting the headband:

Place the headband on your head with the headset on your ear, and adjust the headband for a comfortable fit.



## Positioning the microphone:

For optimal sound quality, adjust the bendable boom arm until it is right in front of your mouth and less than 3-4 cm (1,25-1,5") away.





## Rotating the bendable boom arm:

The boom arm can be rotated 270°



## Replacing the ear cushions:

To replace the ear cushions, softly remove the old ear cushions with your fingers and gently attach the new ones.

## HOW TO CHARGE:

Connect the base station into a wall charger, using the power plug that is delivered with the headset. Place the headset in the base station. (The earcup with the boom arm goes into the base station)

It takes 3 hours to fully charge the headset.



The headset can only be powered, by AC Power plug

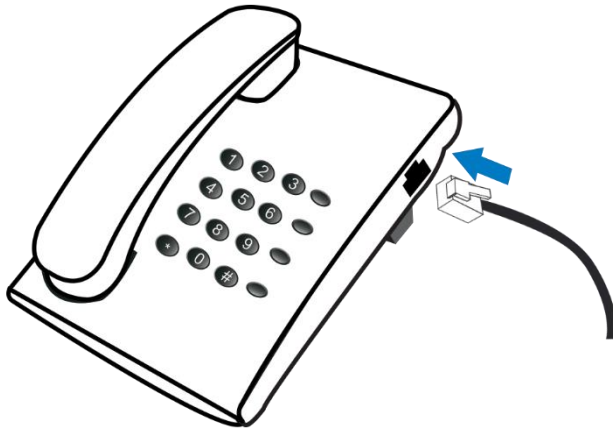
## Battery status:

The LED on the charging cradle have different battery status indicators.

Status	Default Color	Pattern
Battery low – not cradled	Red	Steady on
Battery low - charging	Red	Long slow blink repeated
Battery not low – not full - not cradled	Yellow	Steady on
Battery charging	Yellow	Long slow blink repeated
Battery full – not cradled	Green	Steady on
Battery full - cradled	Green	Long slow blink repeated
Battery info missing	White	Short slow blink repeated
No master registration	Blue	Steady on
Registering	Blue	Long slow blink repeated
Registering, success	Green	Long blink, twice
Registering, failed	Red	Single long blink
Connection to headset lost	White	Short fast blink repeated

## HOW TO CONNECT:

Simply plug-in the RJ9, RJ12 or RJ45 cable into the phone.



## HOW TO USE:

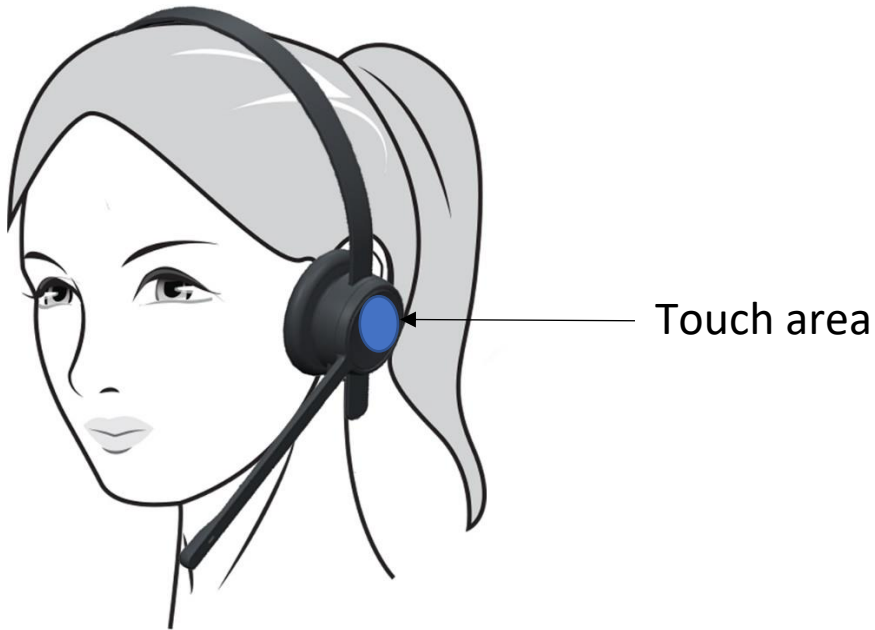
### **Left ear cup touch functions.**

There are 3 touch terms:

Short press – 300 ms to 1,5 sec press

Double Press (two short presses)

Long Press – 1,5 sec to 5 sec press



Status	Mute light
Microphone Muted	ON
Microphone Un-Muted	OFF

Answer Call	Short press
End Call	Double press, when call is active
Reject Call	Double press
Volume up	Slide up
Volume Down	Slide down
Mute	Short press, when call is active
Un-mute	Short press, when call is muted
Put call on hold	Long press, when a call is active
Retrieve call on hold	Long press, when call is on hold
Reject 2 <sup>nd</sup> incoming call	Short press
Receive 2 <sup>nd</sup> incoming call, and terminate first call	Double press
Receive 2 <sup>nd</sup> incoming call, and put first call on hold	Long press
One active call and one call on hold	Short press, to mute/Unmute the active call
One active call and one call on hold	Double press to terminate active call.
One active call and one call on hold	Long press, to swap between calls
Resume music	Short press
Play next number	Double press



## Configuration tool

Not ready yet

## Firmware update

Not ready yet

## Support:

For support please contact [productsupport@rtx.dk](mailto:productsupport@rtx.dk)

## Security:



### Important safety information:

Read the instruction manual carefully before using this product.

If this product is passed on to a third party, this manual must follow the product.

This product may not be used if it has visible damage.

To avoid hearing damage, do not use this product with the volume set too high for extended periods of time.

This product must only be cleaned with a dry and soft cloth.

To avoid damages to the product, do not expose it to high levels of humidity, moist, extreme low or high temperatures.

This product contains a Lithium-Polymer battery.

In case of misuse, the battery can:

- Explode
- Catch Fire
- Generate heat
- Generate smoke or gas

**FCC Caution:**

Any Changes or modifications not expressly approved by the party responsible for compliance could void the user's authority to operate the equipment.

This device complies with part 15 of the FCC Rules. Operation is subject to the following two conditions: (1) This device may not cause harmful interference, and (2) this device must accept any interference received, including interference that may cause undesired operation.

**Note:** This equipment has been tested and found to comply with the limits for a Class B digital device, pursuant to part 15 of the FCC Rules. These limits are designed to provide reasonable protection against harmful interference in a residential installation. This equipment generates, uses and can radiate radio frequency energy and, if not installed and used in accordance with the instructions, may cause harmful interference to radio communications. However, there is no guarantee that interference will not occur in a particular installation. If this equipment does cause harmful interference to radio or television reception, which can be determined by turning the equipment off and on, the user is encouraged to try to correct the interference by one or more of the following measures:

- Reorient or relocate the receiving antenna.
- Increase the separation between the equipment and receiver.
- Connect the equipment into an outlet on a circuit different from that to which the receiver is connected.
- Consult the dealer or an experienced radio/TV technician for help.

**FCC Radiation Exposure Statement:**

This equipment complies with FCC radiation exposure limits set forth for an uncontrolled environment. This equipment should be installed and operated with minimum distance 20cm between the radiator & your body. This transmitter must not be co-located or operating in conjunction with any other antenna or transmitter.

RTX 7233 Quickguide  
RTX7233 consists of:  
RTX7231 Headset  
RTX7431 Base Station



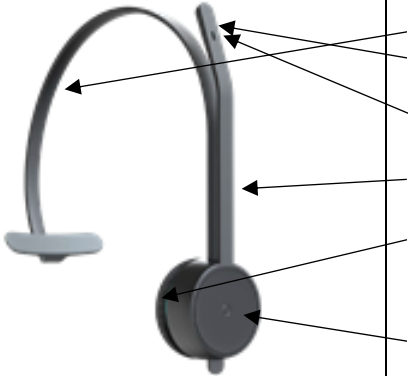

Thank you for purchasing the RTX7233 headset.

In this quick guide, you will find all necessary information regarding your new RTX7233 headset.

### RTX 7233 Key features:

- Wideband audio
- Noise-cancelling microphone
- DSP assisted echo & noise-cancellation
- Convertible wearing styles: Headband, Ear-hook and neckband
- Bendable boom arm with 270° rotation
- Acoustic shock protection
- Touch Call Control on ear cup
- Mute light in boom arm tip
- Single connectivity: USB interface
- 4 headsets conference on single-base

### PART OVERVIEW:

	<p>Headband</p> <p>Mute LED (On inside of Boom arm)</p> <p>Microphone</p> <p>Boom arm</p> <p>Speakers</p> <p>Touch area</p>
	<p>Charging pins</p> <p>LED Indicator</p> <p>Ports: Power, USB (Micro),</p> <p>Socket A = RJ12</p> <p>Socket B = RJ9</p> <p>Socket C = RJ45</p>



## WHAT IS IN THE BOX:

- 1 pcs Base Station
- 1 pcs Headset
- 1 pcs USB micro cable
- 1 pcs Power plug

## ACCESSORIES:

Available accessories: Ear cushions in different colors

Replaceable Ear cushions are available in different colors, please contact your reseller for more information.

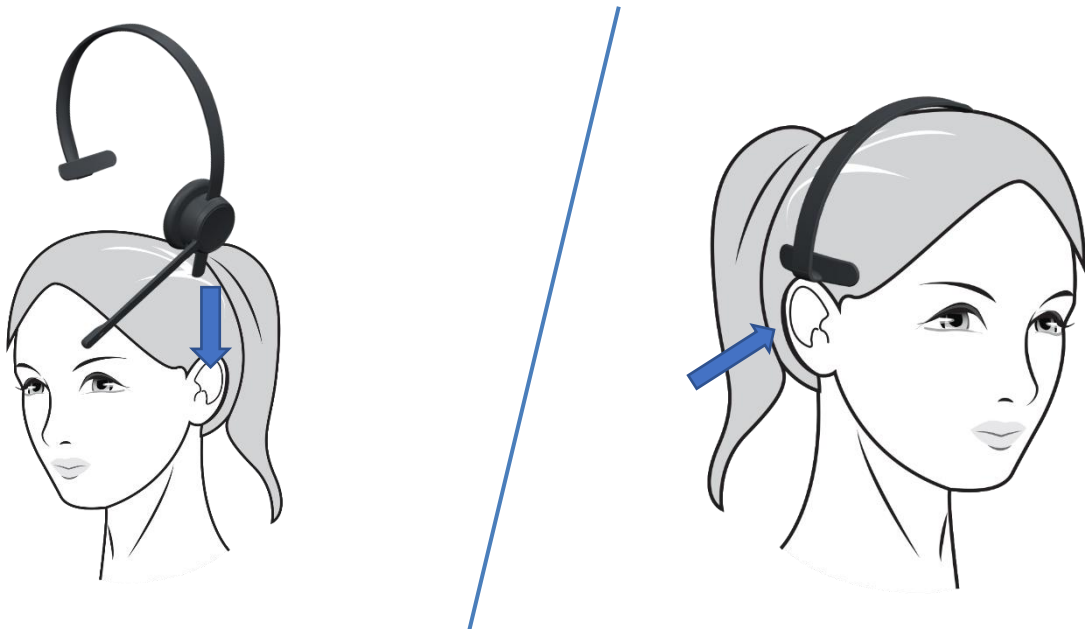
## HOW TO REMOVE THE HEADSET FROM THE CHARGING STAND:

Press the top of the right ear cushion (the one with the boom arm) and tip the headset to the left. You will feel a soft click when the headset releases.

## WEARING THE HEADSET:

All RTX corded headsets have a flexible and adjustable headband.

***For best audio experience the microphone should be placed on the left ear.***



## Adjusting the headband:

Place the headband on your head with the headset on your ear and adjust the headband for a comfortable fit.



## Positioning the microphone:

For optimal sound quality, adjust the bendable boom arm until it is right in front of your mouth and less than 3-4 cm (1,25-1,5") away.





## Rotating the bendable boom arm:

The boom arm can be rotated 270°



## Replacing the ear cushions:

To replace the ear cushions, softly remove the old ear cushions with your fingers and gently attach the new ones.



## HOW TO CHARGE:

Connect the base station into a wall charger, using the power plug that is delivered with the headset. Place the headset in the base station. (The earcup with the boom arm goes into the base station)

It takes 3 hours to fully charge the headset.



The headset can only be powered, by AC Power plug

## Battery status:

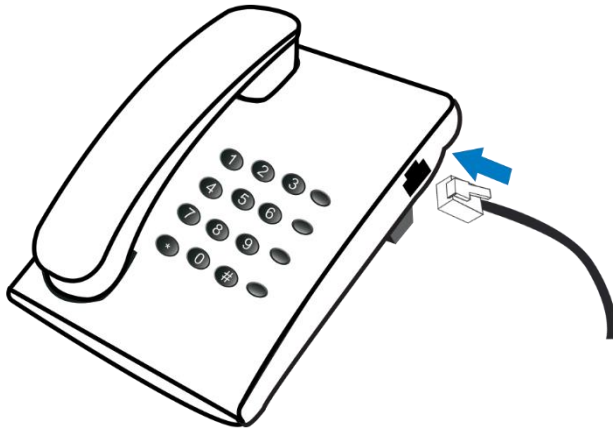
The LED on the charging cradle have different battery status indicators.

Status	Default Color	Pattern
Battery low – not cradled	Red	Steady on
Battery low - charging	Red	Long slow blink repeated
Battery not low – not full - not cradled	Yellow	Steady on
Battery charging	Yellow	Long slow blink repeated
Battery full – not cradled	Green	Steady on
Battery full - cradled	Green	Long slow blink repeated
Battery info missing	White	Short slow blink repeated
No master registration	Blue	Steady on
Registering	Blue	Long slow blink repeated
Registering, success	Green	Long blink, twice
Registering, failed	Red	Single long blink
Connection to headset lost	White	Short fast blink repeated



## HOW TO CONNECT:

Simply plug-in the RJ9, RJ12 or RJ45 cable into the phone.



## HOW TO USE:

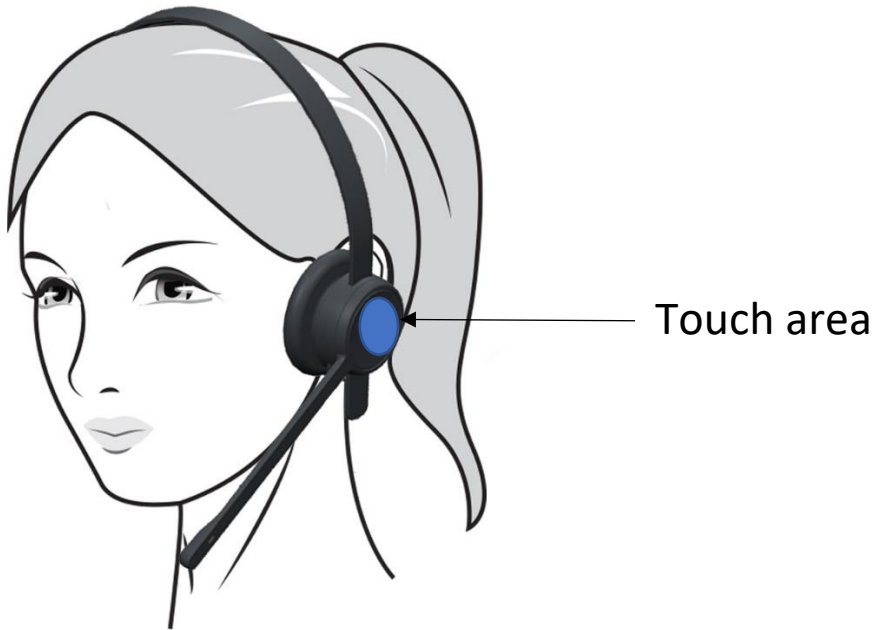
### **Left ear cup touch functions.**

There are 3 touch terms:

Short press – 300 ms to 1,5 sec press

Double Press (two short presses)

Long Press – 1,5 sec to 5 sec press



Status	Mute light
Microphone Muted	ON
Microphone Un-Muted	OFF

Answer Call	Short press
End Call	Double press, when call is active
Reject Call	Double press
Volume up	Slide up
Volume Down	Slide down
Mute	Short press, when call is active
Un-mute	Short press, when call is muted
Put call on hold	Long press, when a call is active
Retrieve call on hold	Long press, when call is on hold
Reject 2 <sup>nd</sup> incoming call	Short press
Receive 2 <sup>nd</sup> incoming call, and terminate first call	Double press
Receive 2 <sup>nd</sup> incoming call, and put first call on hold	Long press
One active call and one call on hold	Short press, to mute/Unmute the active call
One active call and one call on hold	Double press to terminate active call.
One active call and one call on hold	Long press, to swap between calls
Resume music	Short press
Play next number	Double press

## Configuration tool

Not ready yet

## Firmware update

Not ready yet

## Support:

For support please contact [productsupport@rtx.dk](mailto:productsupport@rtx.dk)

## Security:



### Important safety information:

Read the instruction manual carefully before using this product.

If this product is passed on to a third party, this manual must follow the product.

This product may not be used if it has visible damage.

To avoid hearing damage, do not use this product with the volume set too high for extended periods of time.

This product must only be cleaned with a dry and soft cloth.

To avoid damages to the product, do not expose it to high levels of humidity, moist, extreme low or high temperatures.

This product contains a Lithium-Polymer battery.

In case of misuse, the battery can:

- Explode
- Catch Fire
- Generate heat
- Generate smoke or gas

**FCC Caution:**

Any Changes or modifications not expressly approved by the party responsible for compliance could void the user's authority to operate the equipment.

This device complies with part 15 of the FCC Rules. Operation is subject to the following two conditions: (1) This device may not cause harmful interference, and (2) this device must accept any interference received, including interference that may cause undesired operation.

**Note:** This equipment has been tested and found to comply with the limits for a Class B digital device, pursuant to part 15 of the FCC Rules. These limits are designed to provide reasonable protection against harmful interference in a residential installation. This equipment generates, uses and can radiate radio frequency energy and, if not installed and used in accordance with the instructions, may cause harmful interference to radio communications. However, there is no guarantee that interference will not occur in a particular installation. If this equipment does cause harmful interference to radio or television reception, which can be determined by turning the equipment off and on, the user is encouraged to try to correct the interference by one or more of the following measures:

- Reorient or relocate the receiving antenna.
- Increase the separation between the equipment and receiver.
- Connect the equipment into an outlet on a circuit different from that to which the receiver is connected.
- Consult the dealer or an experienced radio/TV technician for help.

**FCC Radiation Exposure Statement:**

This equipment complies with FCC radiation exposure limits set forth for an uncontrolled environment .This equipment should be installed and operated with minimum distance 20cm between the radiator& your body.  
This transmitter must not be co-located or operating in conjunction with any other antenna or transmitter.