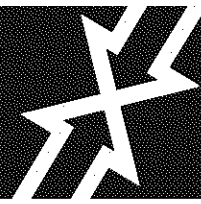


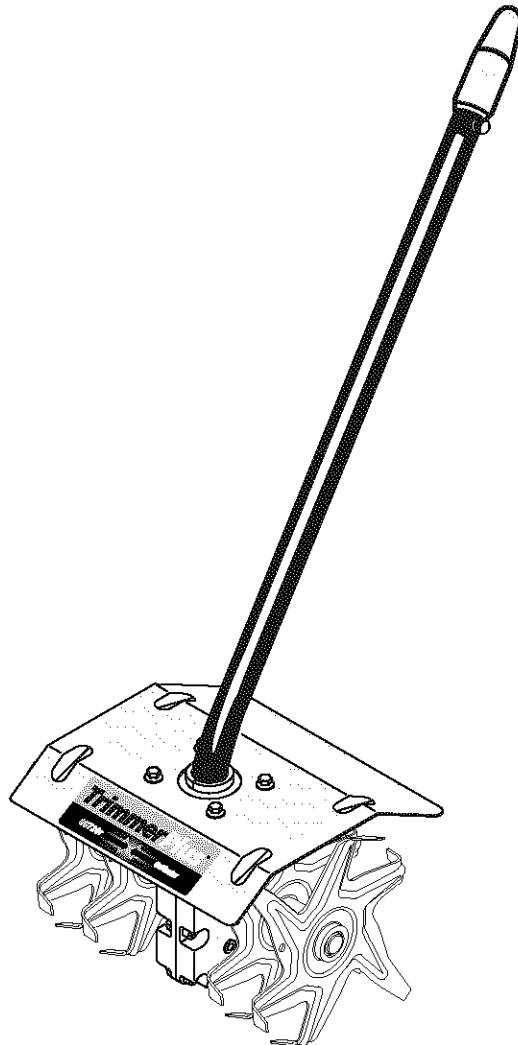
# TrimmerPlus®

*Cultivator*



GC720r

## ***OPERATOR'S MANUAL***



FOR QUESTIONS, CALL 1-800-345-8746 in U.S. or  
1-800-668-1238 in CANADA  
[www.TrimmerPlus.com](http://www.TrimmerPlus.com)

**IMPORTANT MANUAL**

**DO NOT THROW AWAY**

# INTRODUCTION

## THANK YOU

Thank you for buying this quality product. This modern outdoor power tool will provide many hours of useful service. You will find it to be a great labor-saving device. This operator's manual provides you with easy-to-understand operating instructions. Read the whole manual and follow all the instructions to keep your new outdoor power tool in top operating condition.

## PRODUCT REFERENCES, ILLUSTRATIONS AND SPECIFICATIONS

All information, illustrations and specifications in this manual are based on the latest product information available at the time of printing. We reserve the right to make changes at any time without notice.

Copyright ©2001 MTD SOUTHWEST INC  
All Rights Reserved.

TrimmerPlus® is a registered trademark of  
MTD SOUTHWEST INC

### SERVICE INFORMATION

Service on this unit both within and after the warranty period should be performed only by an authorized and approved service dealer.

Dial:

- **1-800-345-8746** in the United States

Or

- **1-800-668-1238** in Canada to obtain the listing of the authorized service dealer nearest you.

**DO NOT RETURN THE UNIT TO THE RETAILER.**

**NOTE: PROOF OF PURCHASE WILL BE REQUIRED FOR WARRANTY SERVICE.**

**Make sure this manual is carefully read and understood before starting or operating this equipment.**

THIS PRODUCT IS COVERED BY ONE OR MORE US PATENTS. OTHER PATENTS PENDING.

# TABLE OF CONTENTS

I. Rules for Safe Operation . . . . .	3-6
A. Important Safety Information . . . . .	3-4
B. Safety and International Symbols . . . . .	4-5
C. Know Your Unit . . . . .	6
II. Operating Instructions . . . . .	7-8
A. Assembling the Coupler . . . . .	7
B. Operating Tips . . . . .	8
III. Maintenance and Repair Instructions . . . . .	9-10
A. Tine Removal and Replacement . . . . .	9
B. Storage . . . . .	10
C. Transporting . . . . .	10
D. Accessories/Replacement Parts . . . . .	10
IV. Specifications . . . . .	11
V. Warranty . . . . .	12

### CONTENTS OF CARTON

This unit should consist of the following:

- GC720r Cultivator Add-On
- Hanger
- Operator's Manual
- Product Registration Card

**NOTE:** This product has been rated for use on both gas and electric powerheads.

# WARNING!

**Read the Operator's Manual(s) and follow all warnings and safety instructions. Failure to do so can result in serious injury to the operator and/or bystanders.**

# RULES FOR SAFE OPERATION

The purpose of safety symbols is to attract your attention to possible dangers. The safety symbols, and their explanations, deserve your careful attention and understanding. The safety warnings do not by themselves eliminate any danger. The instructions or warnings they give are not substitutes for proper accident prevention measures.

**SYMBOL**            **MEANING**



**SAFETY ALERT SYMBOL:** Indicates danger, warning, or caution. Attention is required in order to avoid serious personal injury. May be used in conjunction with other symbols or pictographs.

**NOTE:** Advises you of information or instructions vital to the operation maintenance of the equipment.



**DANGER:** Failure to obey a safety warning will result in serious injury to yourself or to others. Always follow the safety precautions to reduce the risk of fire, electric shock, and personal injury.



**WARNING:** Failure to obey a safety warning can result in injury to yourself and others. Always follow the safety precautions to reduce the risk of fire, electric shock, and personal injury.



**CAUTION:** Failure to obey a safety warning may result in property damage or personal injury to yourself or to others. Always follow the safety precautions to reduce the risk of fire, electric shock, and personal injury.

# RULES FOR SAFE OPERATION

## • IMPORTANT SAFETY INFORMATION •

### READ ALL INSTRUCTIONS



**WARNING:** When using the unit, the safety rules must be followed. For your own safety and that of bystanders, please read these instructions before operating the unit. Please keep the instructions safe for later use.

### BEFORE OPERATING

- Carefully read and understand the operator's manual of the unit that powers this attachment.
- Read this operating instruction manual carefully. Be thoroughly familiar with the controls and the proper use of the equipment. Know how to stop the unit and disengage the controls quickly.
- Do not operate this unit when tired, ill, or under the influence of alcohol, drugs, or medication.
- Never allow children to operate the equipment. Never allow adults unfamiliar with the instructions to use the unit. Never allow adults to operate the equipment without proper instruction.
- All guards and safety attachments must be installed properly before operating the unit.
- Inspect the unit before use. Ensure the tines are installed correctly and secure.
- Clear the area to be cultivated before each use. Remove all objects such as rocks, broken glass, nails, wire, or string which can be thrown or become entangled in the cultivator attachment.

### SPECIAL SAFETY WARNINGS FOR GAS POWERHEADS AND CULTIVATORS

**WARNING:** Gasoline is highly flammable, and its vapors can explode if ignited. Take the following precautions:

- Store fuel only in containers specifically designed and approved for the storage of such materials.
- Always stop the engine and allow it to cool before filling the fuel tank. Never remove the cap of the fuel tank, or add fuel, when the engine is hot. Never operate the unit without the fuel cap securely in place. Loosen the fuel tank cap slowly to relieve any pressure in the tank.
- Mix and add fuel in a clean, well-ventilated area outdoors where there are no sparks or flames. Slowly remove the fuel cap only after stopping engine. Do not smoke while fueling or mixing fuel. Wipe up any spilled fuel from the unit immediately.
- Avoid creating a source of ignition for spilled fuel. Do not start the engine until fuel vapors dissipate.

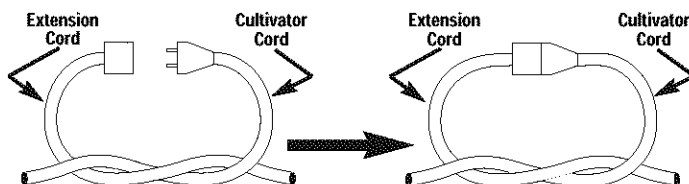
- Move the unit at least 30 feet (9.1 m) from the fueling source and site before starting the engine. Do not smoke. Keep sparks and open flames away from the area while adding fuel or operating the unit.
- Never start or run the unit inside a closed room or building. Breathing exhaust fumes can kill. Operate this unit only in a well ventilated area outdoors.

### SPECIAL SAFETY WARNINGS FOR ELECTRIC POWERHEADS AND CULTIVATORS



**WARNING:** To reduce the risk of electrical shock, use only extension cords approved for outdoor use, such as an extension cord of cord type SW-A, SOW-A, STW-A, STOW-A, SJW-A, SJOW-A, SJTW-W or SJTOW-A. Extension cords are available from your local retailer. Use only round-jacketed extension cords approved for outdoor use.

- **CORD SETS:** Make sure your cord set is in good condition. When using a cord set, be sure to use a cord that is heavy enough to carry the current that your unit will draw. An undersized cord set will cause a drop in line voltage resulting in loss of power and overheating. See the operator's manual for the unit that will power this add-on for the recommended cord size.
- Inspect all extension cords and the unit power connection periodically. Look closely for deterioration, cuts or cracks in the insulation. Also inspect the connections for damage. Replace the cords if any defects or damage appear.
- Prevent disconnection of the cultivator powerhead from extension cord during operation by using a plug-receptacle retaining strap, connector, or by making a knot as shown below:



- Avoid dangerous environments. Never operate your unit in damp or wet conditions. Moisture is a shock hazard.
- Do not use the unit in the rain. Do not use in or around water.
- Do not handle the plug or unit with wet hands or standing on any wet surfaces.
- Do not leave the unit plugged in when not in use, changing attachments or add-ons, or while being serviced.

# RULES FOR SAFE OPERATION

## WHILE OPERATING

- Keep bystanders, especially children and pets, at least 50 ft (15 m) away.
- Wear safety glasses or goggles that are marked as meeting ANSI Z87.1 standards, and ear/hearing protection when operating this unit. Wear a face or dust mask if the operation is dusty.
- Wear heavy, long pants, boots, gloves and a long sleeve shirt. Do not wear loose clothing, jewelry, short pants, sandals or go barefoot. Secure hair above shoulder level.
- Use the unit only in daylight or good artificial light.
- Use the right tool. Only use this tool for the purpose intended.
- Do not force unit. It will do the job better and with less likelihood of injury at a rate for which it was designed.
- Use extreme caution when reversing or pulling the unit towards you.
- Do not overreach, take extra care when working on steep slopes or inclines. Always keep proper footing and balance.
- Always hold the unit with both hands when operating. Keep a firm grip on both the front and rear handle or grips.
- Keep hands, face, and feet at a distance from all moving parts. Do not touch or try to stop the tines when they are rotating. Do not operate without guards in place.
- Do not operate the engine faster than the speed needed to do the job. Do not run the engine at high speed when not in use.
- Always stop the engine/motor when operation is delayed or when walking from one location to another.
- Stop the engine/motor for maintenance, repair, to install or remove the tines. The unit must be stopped and the tines no longer turning to avoid injury.
- The tines become very sharp from use. Always wear heavy gloves when handling, removing, installing or cleaning the tines.
- If you strike or become entangled with a foreign object, stop the engine/motor immediately and check for damage. Have any damage repaired before attempting further operations.
- Stop the unit IMMEDIATELY if you feel excessive vibration. Vibration is a sign of trouble. Inspect thoroughly for loose nuts, bolts or damage before continuing. Repair or replace affected parts as necessary.
- Stop and switch the unit to off for maintenance, repair, or for changing add-ons or other attachments.
- Keep unit clean of vegetation and other materials. They may become lodged between the tines and gearbox or guard.

- Use only genuine MTD replacement parts and accessories for this unit. These are available from your authorized service dealer. Use of any non-MTD parts or accessories could lead to serious injury to the user or damage to the unit, and void your warranty.

## MAINTENANCE AND STORAGE

- Allow the unit to cool before storing or transporting. Be sure to secure the unit while transporting.
- Store the unit in a locked up and dry or high and dry place to prevent unauthorized use or damage, out of the reach of children.
- Clean the tines with a hose and water. Wipe the tines with a light machine oil to prevent rust.
- Never douse or squirt the unit with water or any other liquid. Keep handles dry, clean and free from debris. Clean after each use.
- Keep these instructions. Refer to them often and use them to instruct other users. If you loan someone this unit, also loan them these instructions.
- Only qualified personnel should perform any repairs or maintenance procedures that are not described in this manual.
- Check shear bolts, engine mounting bolts and other bolts at frequent intervals for proper tightness to be sure the equipment is in safe working condition.
- Inside a building store the machine away from ignition sources. Allow the engine to cool before storing in any enclosure.
- Always refer to the Operator's Manual instructions for important details if the cultivator is to be stored for an extended period.
- Do not attempt to repair the machine unless you have the proper tools, and instructions for disassembly and repair of the machine.

## SAVE THESE INSTRUCTIONS

# RULES FOR SAFE OPERATION

## SAFETY AND INTERNATIONAL SYMBOLS

This operator's manual describes safety and international symbols and pictographs that may appear on this product. Read the operator's manual for complete safety, assembly, operating and maintenance and repair information.

### SYMBOL

### MEANING



#### • SAFETY ALERT SYMBOL

Indicates danger, warning, or caution. May be used in conjunction with other symbols or pictographs.



#### • WARNING - READ OPERATOR'S MANUAL

Read the Operator's Manual(s) and follow all warnings and safety instructions. Failure to do so can result in serious injury to the operator and/or bystanders.



#### • WEAR EYE AND HEARING PROTECTION

**WARNING:** The operation of any power tool can be the source of thrown objects and loud noise which can cause severe eye injury and hearing loss. Always wear safety glasses or goggles eye protection meeting ANSI Z87.1 standards and ear protection when operating this unit. Use a full face shield when needed.



#### • KEEP BYSTANDERS AWAY

**WARNING:** Keep all bystanders, especially children and pets, at least 50 feet (15 m) from the operating area.



#### • THROWN OBJECTS CAN CAUSE SEVERE INJURY

**WARNING:** Do not operate unit without proper attachments and guards in place.



#### • GARDEN CULTIVATORS - ROTATING TINES CAN CAUSE SEVERE INJURY

**WARNING:** Stop the engine/motor and allow the tines to stop before installing or removing tines, or before cleaning or performing any maintenance. Keep hands and feet away from rotating tines.

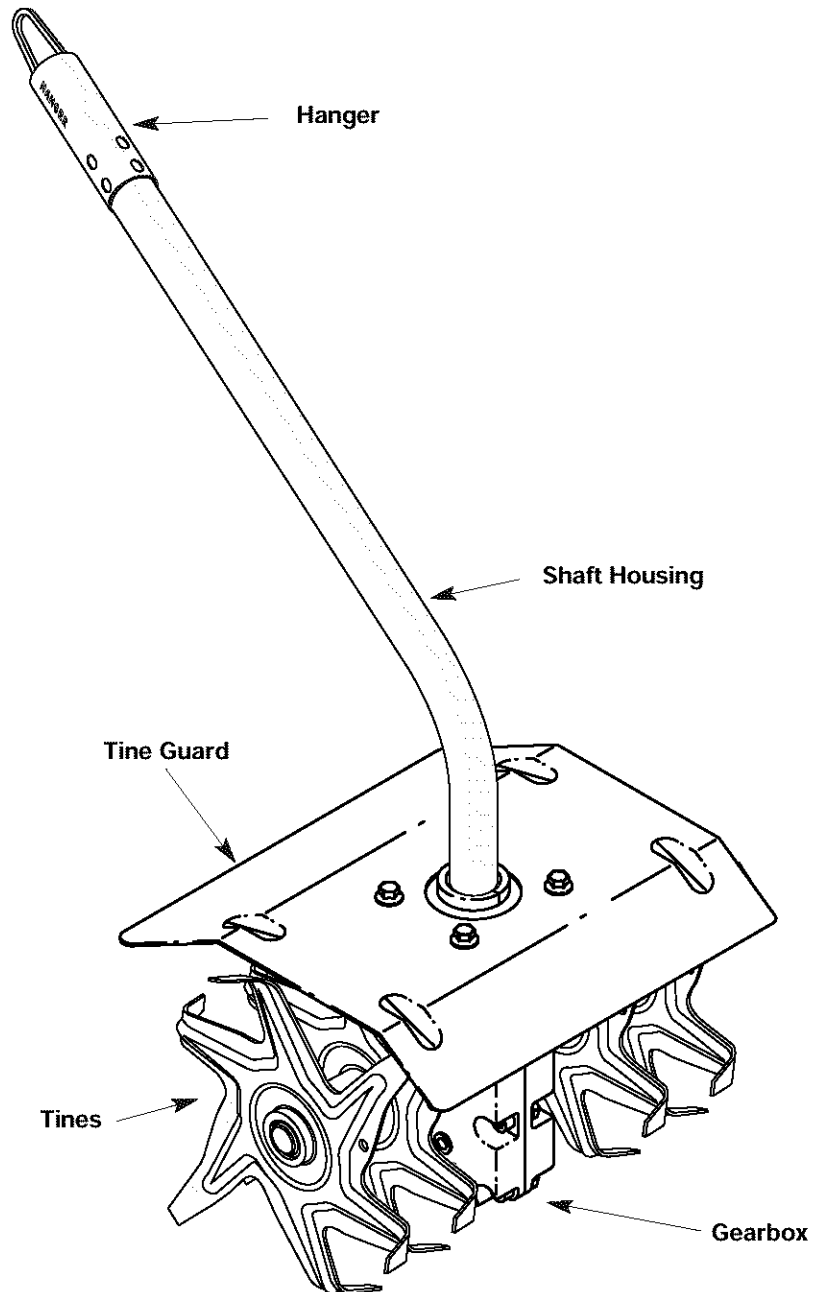
# RULES FOR SAFE OPERATION

## KNOW YOUR UNIT

### APPLICATIONS

With Cultivator Add-On:

- Cultivating sod and light soil. Also for cultivating in garden areas, around trees, etc.



# OPERATING INSTRUCTIONS

## ASSEMBLING THE COUPLER

The TrimmerPlus® system enables the use of these optional add-ons.

Blower/Vacuum .....	BV720r
Hedge Trimmer .....	HS720r
Edger .....	LE720r
Sweeper/Blower .....	SB720r
Straight Shaft Trimmer .....	SS725r
Snow Thrower .....	ST720r
Turbo Blower .....	TB720r
Tree Pruner .....	TP720r

**WARNING:** Read and understand operator's manual for unit to be used with this add-on prior to operation.

### Removing the add-on:

1. Turn the knob counterclockwise to loosen (Fig. 1).
2. Press and hold the release button (Fig. 1).
3. While firmly holding the upper shaft housing, pull the snow thrower attachment out of the coupler (Fig. 2).

### Installing the add-on:

**WARNING:** To avoid serious personal injury and damage to the unit, shut unit off before removing or installing add-ons.

**NOTE:** To make installing or removing the add-on easier, place the unit on the ground or on a work bench.

1. Remove the hanger from the top of the shaft housing.
2. Turn knob counterclockwise to loosen (Fig. 1).
3. While firmly holding the add-on, push it straight into the coupler (Fig. 2).

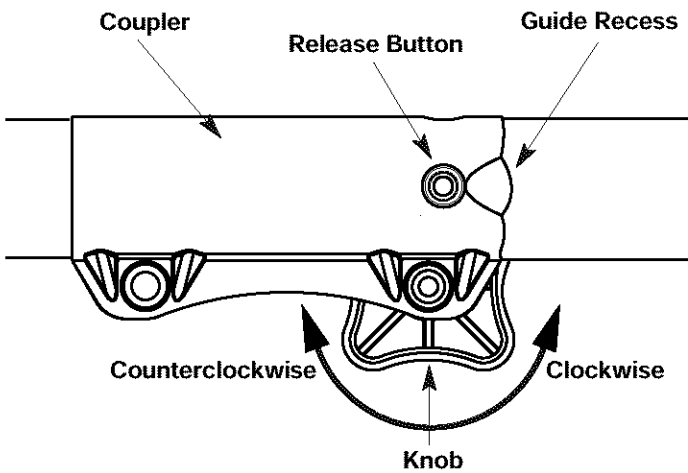


Fig. 1

**NOTE:** Aligning the release button with the guide recess will help installation (Fig. 1).

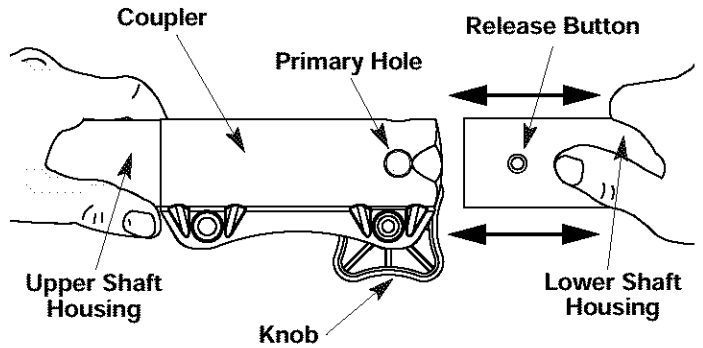


Fig. 2

3. Turn the knob clockwise to tighten (Fig. 3).

**CAUTION:** Lock the release button in the primary hole (Fig. 2) and securely tighten the knob before operating this unit.

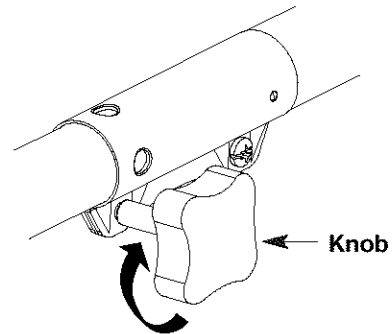


Fig. 3

**CAUTION:** The add-ons with the coupler system is to be used in the primary hole only. Using the wrong hole could lead to personal injury or damage to the unit.

The cultivator add-on should be installed with the release button in the **primary hole**.

### Check Flex Shaft Engagement Prior to Using

1. Start the unit.
2. Briefly engage and release the trigger.
3. Check that add-on is operating.
4. If the add-on is not operating, remove add-on and repeat steps for installing the add-on.
5. Recheck operation of add-on attachment.

# OPERATING INSTRUCTIONS

## OPERATING TIPS



**WARNING:** Dress properly to reduce the risk of injury when operating this unit. Do not wear loose clothing or jewelry. Wear eye and ear/hearing protection. Wear heavy, long pants, boots and gloves. Do not wear short pants, sandals or go barefoot.

1. Move the cultivator to the work area prior to starting the engine/motor.
2. Start the unit.
3. With the engine running and the tines off the ground, depress the throttle control to increase the engine speed.
4. Holding both of the shaft and handle grips firmly, slowly lower the cultivator until the tines make contact with the ground (Figs. 4 & 5).
5. As cultivating action begins, pull back on the cultivator so that the tines can penetrate the ground.
6. Once the ground has been broken, continue at a moderate pace until you are familiar with the controls and the handling of the cultivator.



**WARNING:** To prevent serious personal injury, use extreme caution when reversing or pulling the unit towards you.

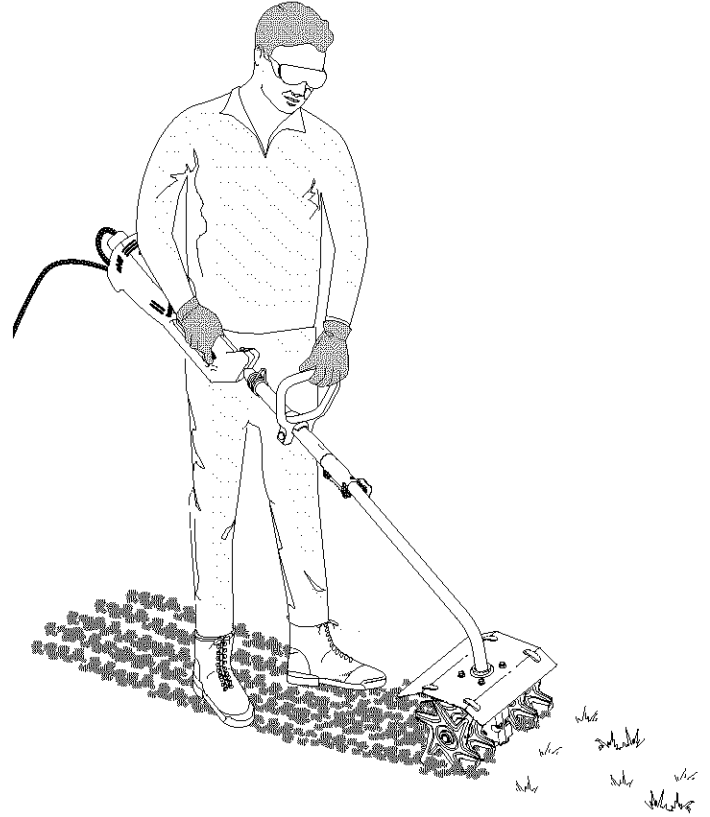


Fig. 4

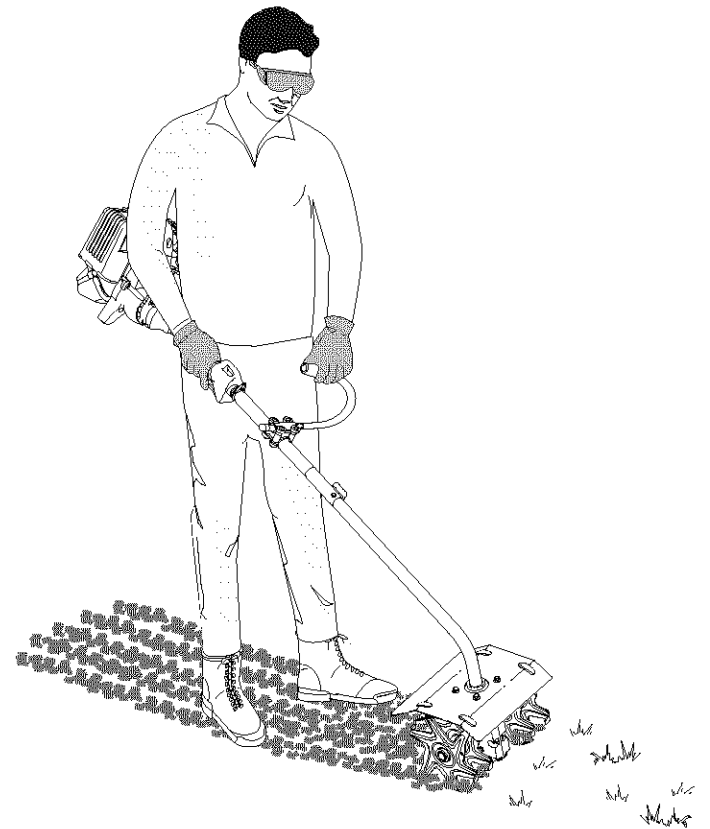


Fig. 5



# MAINTENANCE AND REPAIR INSTRUCTIONS

## TINE REMOVAL AND REPLACEMENT

All 4 tines should be replaced at the same time because they will wear evenly through normal use. Work on one side at a time.



**WARNING:** To prevent serious personal injury, always wear heavy gloves when handling the tines.

1. Stop engine/motor before installing or removing tines. Disconnect unit from the powerhead.
2. Remove the clevis pin clips and clevis pins (Fig. 6).
3. Remove the tines and felt cushions from the shaft.
4. Clean and oil the shaft.
5. The tines are stamped with the letter "R" or "L" to identify their position on each side of the gearbox when facing the front of the unit.
6. Replace the tines and felt cushions onto the shaft with the hubs on the tines facing each other.
7. Ensure the tips on tines are aligned in the same direction with each other before reinstalling the clevis pins and pin clips (Fig. 7).
8. Repeat this procedure on the opposite side.

**NOTE:** When installed correctly, there will be an "R" and "L" tine on each side of the gearbox and the tips on the tines line up in the same direction. It is important that the tines are installed correctly.

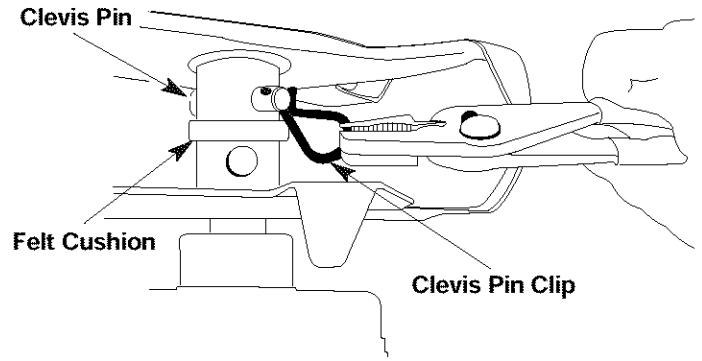


Fig. 6

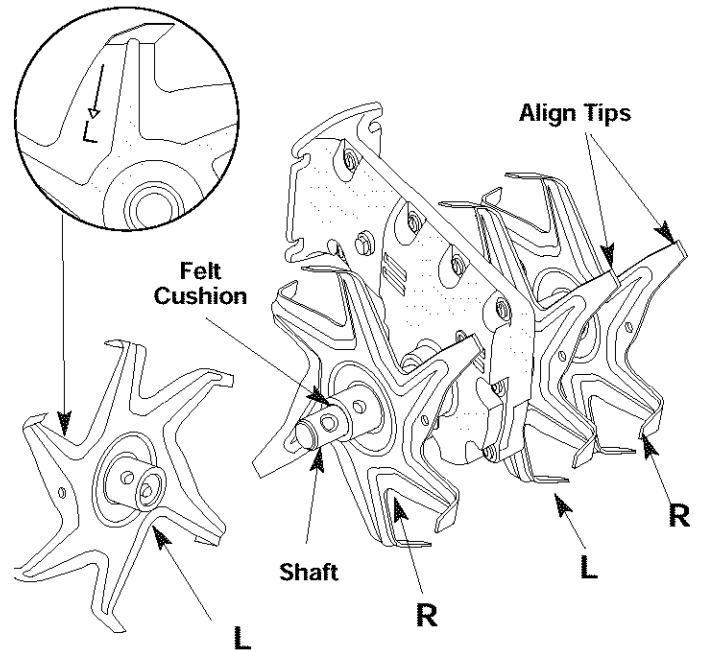


Fig. 7

# MAINTENANCE AND REPAIR INSTRUCTIONS

## STORAGE

- Check unit before storage to be sure the equipment is in safe working condition.
- Stop the engine or motor.
- Store the unit indoors, in a dry and locked place, out of the reach of children.
- Maintain or replace safety and instruction labels, as necessary.

### For gas powerhead units:

- Allow the unit to cool before storing in any enclosure.
- Drain fuel from unit. Never store the unit with fuel in the fuel tank inside a building where ignition sources are present such as hot water and space heaters, clothes dryers, etc.

## TRANSPORTING

- Allow the unit to cool before transporting.
- Secure the unit while transporting.

### For gas powerhead units:

- Drain fuel from unit.
- Tighten fuel cap before transporting.

## ACCESSORIES/REPLACEMENT PARTS

Tine Assembly (Left Outer and Right Inner) . . .	.791-182729
Tine Assembly (Left Inner and Right Outer) . . .	.791-182730
Tine Fastener Assembly . . . . .	.791-147473

Use only original MTD replacement parts.

# SPECIFICATIONS

## CULTIVATOR ADD-ON

Operating Weight of Attachment: .....	10 lbs. (4.65 kg)
Adjustable Tine Width .....	.6" to 9"
Steel Tines .....	.8"

## MANUFACTURER'S LIMITED WARRANTY FOR:

# TrimmerPlus®

The limited warranty set forth below is given by MTD SOUTHWEST INC ("MTD") with respect with new merchandise purchased and used in the United States, its possessions and territories.

MTD warrants this product against defects in material and workmanship for a period of two (2) years commencing on the date of original purchase and will, at its option, repair or replace, free of charge, any part found to be defective in material or workmanship. This limited warranty shall only apply if this product has been operated and maintained in accordance with the Operator's Manual furnished with the product, and has not been subject to misuse, abuse, commercial use, neglect, accident, improper maintenance, alteration, vandalism, theft, fire, water, or damage because of other peril or natural disaster. Damage resulting from the installation or use of any accessory or attachment not approved by MTD for use with the product(s) covered by this manual will void your warranty as to any resulting damage.

This warranty is limited to ninety (90) days from the date of original retail purchase for any MTD product that is used for rental or commercial purposes, or any other income-producing purpose.

**HOW TO OBTAIN SERVICE:** Warranty service is available, WITH PROOF OF PURCHASE THROUGH YOUR LOCAL AUTHORIZED SERVICE DEALER. To locate the dealer in your area, please check for a listing in the Yellow Pages or contact the Customer Service Department of MTD SOUTHWEST INC by calling 1-800-345-8746 or writing to 550 N. 54th Street, Chandler, Arizona 85226 or if in Canada call 1-800-668-1238. No product returned directly to the factory will be accepted unless prior written permission has been extended by the Customer Service Department of MTD SOUTHWEST INC.

**This limited warranty does not provide coverage in the following cases:**

- A. Wear items - Bump Knobs, Outer Spools, Cutting Line, Inner Reels, Starter Pulley, Starter Ropes, Drive Belts
- B. MTD does not extend any warranty for products sold or exported outside of the United States of America, its possessions and territories, except those sold through MTD's authorized channels of export distribution

MTD reserves the right to change or improve the design of any TrimmerPlus® Product without assuming any obligation to modify any product previously manufactured.

**No implied warranty, including any implied warranty of merchantability or fitness for a particular purpose, applies after the applicable period of express written warranty above as to the parts as identified. No other express warranty or guaranty, whether written or oral, except as mentioned above, given by any person or entity, including a dealer or retailer, with respect to any product shall bind MTD. During the period of the Warranty, the exclusive remedy is repair or replacement of the product as set forth above.** (Some states do not allow limitations on how long an implied warranty lasts, so the above limitation may not apply to you.)

**The provisions as set forth in this Warranty provide the sole and exclusive remedy arising from the sales. MTD shall not be liable for incidental or consequential loss or damages including, without limitation, expenses incurred for substitute or replacement lawn care services, for transportation or for related expenses, or for rental expenses to temporarily replace a warranted product.** (Some states do not allow limitations on how long an implied warranty lasts, so the above limitation may not apply to you.)

In no event shall recovery of any kind be greater than the amount of the purchase price of the product sold. Alteration of the safety features of the product shall void this Warranty. You assume the risk and liability for loss, damage, or injury to you and your property and/or to others and their property arising out of the use or misuse or inability to use the product.

This limited warranty shall not extend to anyone other than the original purchaser, original lessee or the person for whom it was purchased as a gift.

**How State Law Relates to this Warranty:** This warranty gives you specific legal rights, and you may also have other rights which vary from state to state.

To locate your nearest service dealer dial 1-800-345-8746 in the United States or 1-800-668-1238 in Canada.

## MTD SOUTHWEST INC

550 N. 54th Street  
Chandler, AZ 85226 U.S.A.

**SAVE THESE INSTRUCTIONS FOR FUTURE REFERENCE.**

**FOR QUESTIONS CALL 1-800-345-8746 IN U.S.**

**OR 1-800-668-1238 IN CANADA**