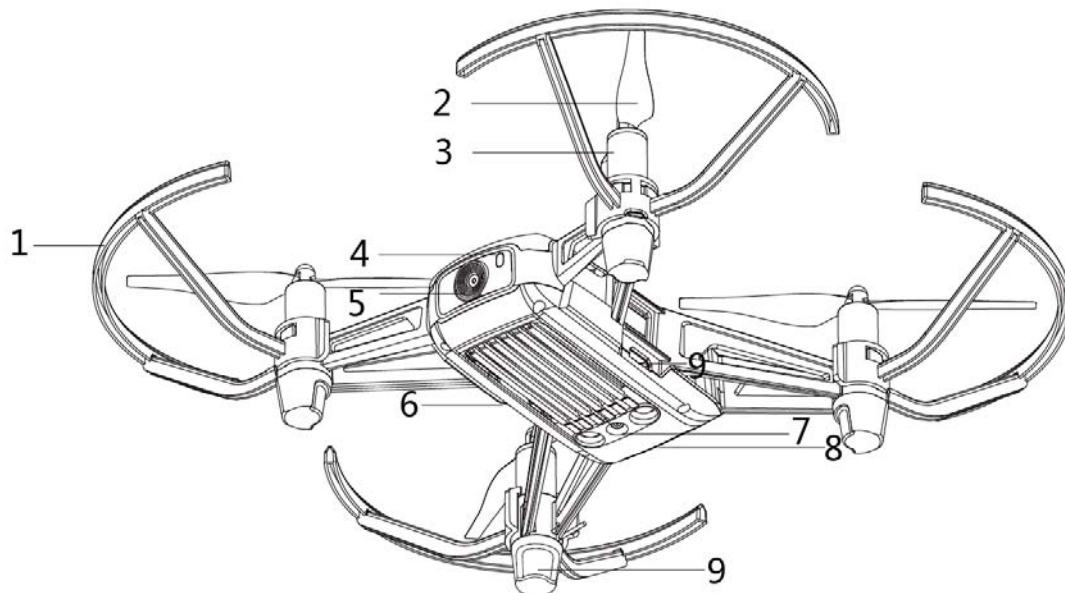


Tello Quick Start Guide

Introduction

Tello is a small quadcopter that features a vision positioning system and an onboard camera. Using its vision system and advanced flight controller, it can hover in place and is suitable for flying indoors. Tello captures 5 megapixel photos and streams live video to the Tello app on a mobile device at 720p. Its maximum flight time is approximately 13 minutes.



1. Propeller Guards
2. Propellers
3. Motors
4. Aircraft Status Indicator
5. Camera
6. Power Button
7. Vision System
8. Battery
9. Antennas

Specifications

- Aircraft(Model: TLW004)

Weight (Propeller Guards Included)80g
Max Speed 22 km/h
Max Flight Time 13 minutes
Operating Temperature 32° to 104°F (0° to 40°C)
Operating Frequency 2.4-2.4835 GHz

- Camera

Max Image Size 2592*1936
Video Recording Modes HD: 1280×72030p
Video MP4

- Battery

Capacity 1100 mAh
Voltage 3.8V
Battery TypeLipo
Energy 4.18Wh
Net Weight 26g
Charging Temperature Range 41° to 104°F (5° to 40°C)
Max Charging Power 10W

1. Downloading the Tello App and Watching Tutorial Videos

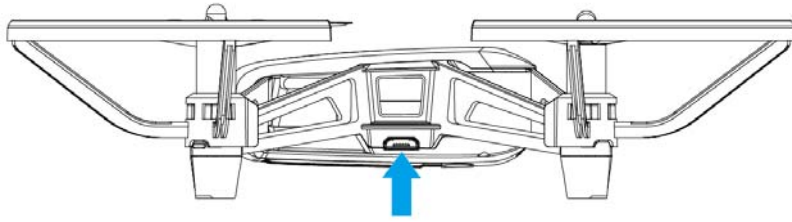
Search for “Tello” on the App Store or Google Play or scan the QR code to download the app on your mobile device.

To ensure flight safety, watch the tutorial videos on the official Tello website or in the Tello app before your first flight.

2. Charging the Battery

Connect the Micro USB port on the aircraft to the USB adapter using the standard micro USB cable to charge the aircraft.

Charging time: 1 hour and 30 minutes.



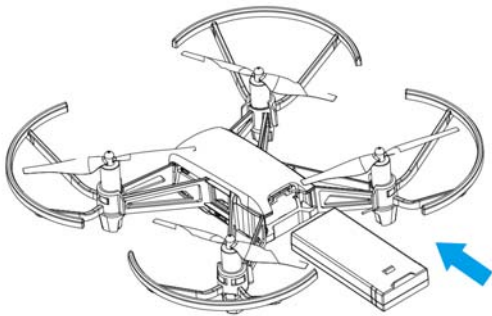
The battery is fully charged when the Aircraft Status Indicator changes from solid yellow to solid green.



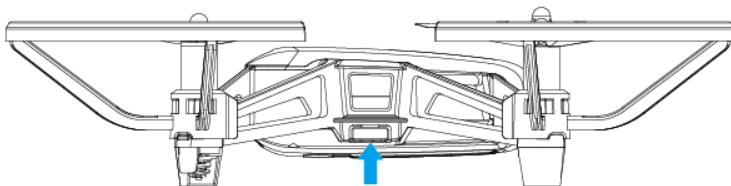
Please use the FCC/CE included 5V/1A USB adapter for charging.

3. Preparing for Takeoff

Insert the battery into the aircraft as shown.



Press the power button once to turn on the aircraft.



Enable Wi-Fi on your mobile device and connect to the Tello-XXX network.



Then launch the Tello app. Connection has been established when the Aircraft Status Indicator blinks green slowly and the live camera view is shown on your mobile device.

4. Flight

- Auto Takeoff&Landing



Auto Takeoff



Auto Landing

- Operation

Use the Virtual Joysticks in the app to control the aircraft. The left stick controls the aircraft's altitude and heading, while the right stick controls forward, backward, left, and right movement.

Left Stick



Up



Down



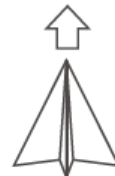
Turn Left

Turn Right

Right Stick



Forward



Backward



Left

Right

- Taking Photos&RecordingVideo



Tap to switch between Photo mode and Video mode.



Tap to take a photo or record video.

Compliance Information

FCC Compliance Notice

This device complies with Part 15 of the FCC Rules. Operation is subject to the following two conditions: (1) This device may not cause harmful interference, and (2) This device must accept any interference received, including interference that may cause undesired operation.

Any changes or modifications not expressly approved by the party responsible for compliance could void the user's authority to operate the equipment.

This equipment has been tested and found to comply with the limits for a Class B digital device, pursuant to part 15 of the FCC Rules. These limits are designed to provide reasonable protection against harmful interference in a residential installation. This equipment generates, uses and can radiate radio frequency energy and, if not installed and used in accordance with the instructions, may cause harmful interference to radio communications. However, there is no guarantee that interference will not occur in a particular installation. If this equipment does cause harmful interference to radio or television reception, which can be determined by turning the equipment off and on, the user is encouraged to try to correct the interference by one or more of the following measures:

- Reorient or relocate the receiving antenna.
- Increase the separation between the equipment and receiver.
- Connect the equipment into an outlet on a circuit different from that to which the receiver is connected.
- Consult the dealer or an experienced radio/TV technician for help.

RF Exposure Information

This equipment complies with FCC radiation exposure limits set forth for an uncontrolled environment. In order to avoid the possibility of exceeding the FCC radio frequency exposure limits, human proximity to the antenna shall not be less than 20cm during normal operation.

ISED RSS Warning

This device complies with licence-exempt RSS standard (s).

Operation is subject to the following two conditions: (1) this device may not cause interference, and (2) this device must accept any interference, including interference that may cause undesired operation of the device.

Le présent appareil est conforme aux CNR d'ISED applicables aux appareils radio exempts de licence.

L'exploitation est autorisée aux deux conditions suivantes:

- (1) l'appareil ne doit pas produire de brouillage, et

(2) l'utilisateur de l'appareil doit accepter tout brouillage radioélectrique subi, même si le brouillage est susceptible d'en compromettre le fonctionnement.

ISED Radiation Exposure Statement:

This equipment complies with ISED RF radiation exposure limits set forth for an uncontrolled environment. This transmitter must not be co-located or operating in conjunction with any other antenna or transmitter.

This equipment should be installed and operated with minimum distance 20cm between the radiator & your body.

Cet appareil est

conforme aux limites d'exposition de rayonnement RF IC établies pour un environnement non contrôlé.

Cet émetteur ne doit pas être co-implanté ou fonctionner en conjonction avec toute autre antenne ou transmetteur.

Cet équipement doit être installé et utilisé avec une distance minimale de 20cm entre le radiateur & votre corps.

KCC Warning Message

“해당 무선설비는 운용 중 전파 혼신 가능성이 있으므로 인명 안전과 관련된 서비스는 할 수 없습니다.”

“해당 무선설비는 운용 중 전파 혼신 가능성이 있음”

NCC Warning Message

低功率電波輻射性電機管理辦法

第十二條經型式認證合格之低功率射頻電機，非經許可，公司、商號或使用者均不得擅自變更頻率、加大功率或變更原設計之特性及功能。

第十四條低功率射頻電機之使用不得影響飛航安全及干擾合法通信；經發現有干擾現象時，應改善至無干擾時方得繼續使用。前項合法通信，指依電信法規定作業之無線電通信。低功率射頻電機須忍受合法通信或工業、科學及醫療用電波輻射性電機設備之干擾。

EU Compliance Statement: Shenzhen RYZE Tech Co.,Ltd. hereby declares that this device is in compliance with the essential requirements and other relevant provisions of the Directive 2014/53/EU.

A copy of the EU Declaration of Conformity is available online at www.ryzerobotics.com/euro-compliance

EU contact address: DJI GmbH, Industriestrasse 12, 97618, Niederlauer, Germany

Declaración de cumplimiento UE: Shenzhen RYZE Tech Co.,Ltd. por la presente declara que este dispositivo cumple los requisitos básicos y el resto de provisiones relevantes de la Directiva 2014/53/EU.

Hay disponible online una copia de la Declaración de conformidad UE en www.ryzerobotics.com/euro-compliance

Dirección de contacto de la UE:

DJI GmbH, Industriestrasse 12, 97618, Niederlauer, Germany

EU-verklaring van overeenstemming: Shenzhen RYZE Tech Co.,Ltd. verklaart hierbij dat dit apparaat voldoet aan de essentiële vereisten en andere relevante bepalingen van Richtlijn 2014/53/EU.

De EU-verklaring van overeenstemming is online beschikbaar op

www.ryzerobotics.com/euro-compliance

Contactadres EU: DJI GmbH, Industriestrasse 12, 97618, Niederlauer, Germany

Declaração de conformidade da UE: Shenzhen RYZE Tech Co.,Ltd. declara, através deste documento, que este dispositivo está em conformidade com os requisitos essenciais e outras disposições relevantes da Diretiva 2014/53/EU.

Existe uma cópia da Declaração de conformidade da UE disponível online

em www.ryzerobotics.com/euro-compliance

Endereço de contacto na UE:

DJI GmbH, Industriestrasse 12, 97618, Niederlauer, Germany

Dichiarazione di conformità UE: Shenzhen RYZE Tech Co.,Ltd. dichiara che il presente dispositivo è conforme ai requisiti essenziali e alle altre disposizioni rilevanti della direttiva 2014/53/EU.

Una copia della dichiarazione di conformità UE è disponibile online all'indirizzo

Web www.ryzerobotics.com/euro-compliance

Indirizzo di contatto UE:

DJI GmbH, Industriestrasse 12, 97618, Niederlauer, Germany

Déclaration de conformité UE : Par la présente, Shenzhen RYZE Tech Co.,Ltd. déclare que cet appareil est conforme aux principales exigences et autres clauses pertinentes de la directive européenne 2014/53/EU.

Une copie de la déclaration de conformité UE est disponible sur le

site www.ryzerobotics.com/euro-compliance

Adresse de contact pour l'UE :

DJI GmbH, Industriestrasse 12, 97618, Niederlauer, Germany

EU-Compliance: Hiermit erklärt Shenzhen RYZE Tech Co.,Ltd., dass dieses Gerät den wesentlichen Anforderungen und anderen einschlägigen Bestimmungen der EU-Richtlinie 2014/53/EU entspricht.

Eine Kopie der EU-Konformitätserklärung finden Sie online auf

www.ryzerobotics.com/euro-compliance

Kontaktadresse innerhalb der EU:
DJI GmbH, Industriestrasse 12, 97618, Niederlauer, Germany



CAUTION: RISK OF EXPLOSION IF BATTERY IS REPLACED BY AN INCORRECT TYPE. DISPOSE OF USED BATTERIES ACCORDING TO THE INSTRUCTIONS

Environmentally friendly disposal

Old electrical appliances must not be disposed of together with the residual waste, but have to be disposed of separately. The disposal at the communal collecting point via private persons is for free. The owner of old appliances is responsible to bring the appliances to these collecting points or to similar collection points. With this little personal effort, you contribute to recycle valuable raw materials and the treatment of toxic substances.



Thailand Warning message

เครื่องโทรคมนาคมและอุปกรณ์นี้มีความสอดคล้องตามข้อกำหนดของกทช.

Mexico Warning message

“La operación de este equipo está sujeta a las siguientes dos condiciones: (1) es posible que este equipo o dispositivo no cause interferencia perjudicial y (2) este equipo o dispositivo debe aceptar cualquier interferencia, incluyendo la que pueda causar su operación no deseada.”

Brazil Warning message

Este equipamento opera em caráter secundário, isto é, não tem direito a proteção contra interferência prejudicial, mesmo de estações do mesmo tipo, e não pode causar interferência a sistemas operando em caráter primário

Shenzhen RYZE Tech Co.,Ltd.

10th Floor, West Wing, Skyworth Semiconductor Design Building, No.18 Gaoxin South 4th Ave,
Nanshan District, Shenzhen, China, 518057