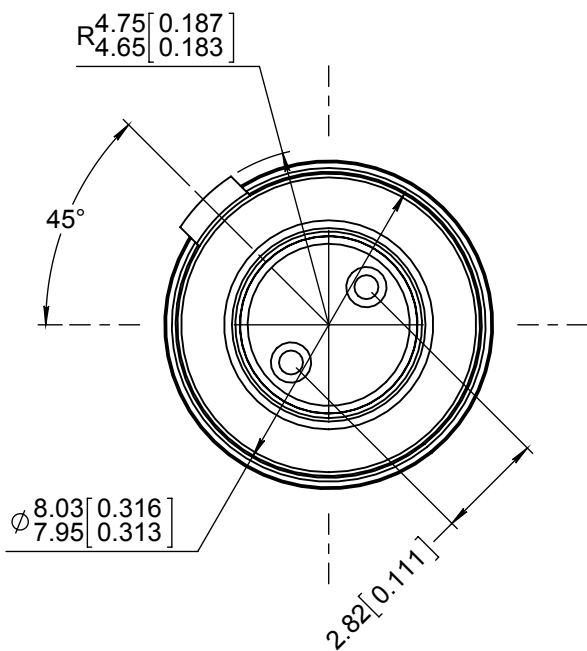
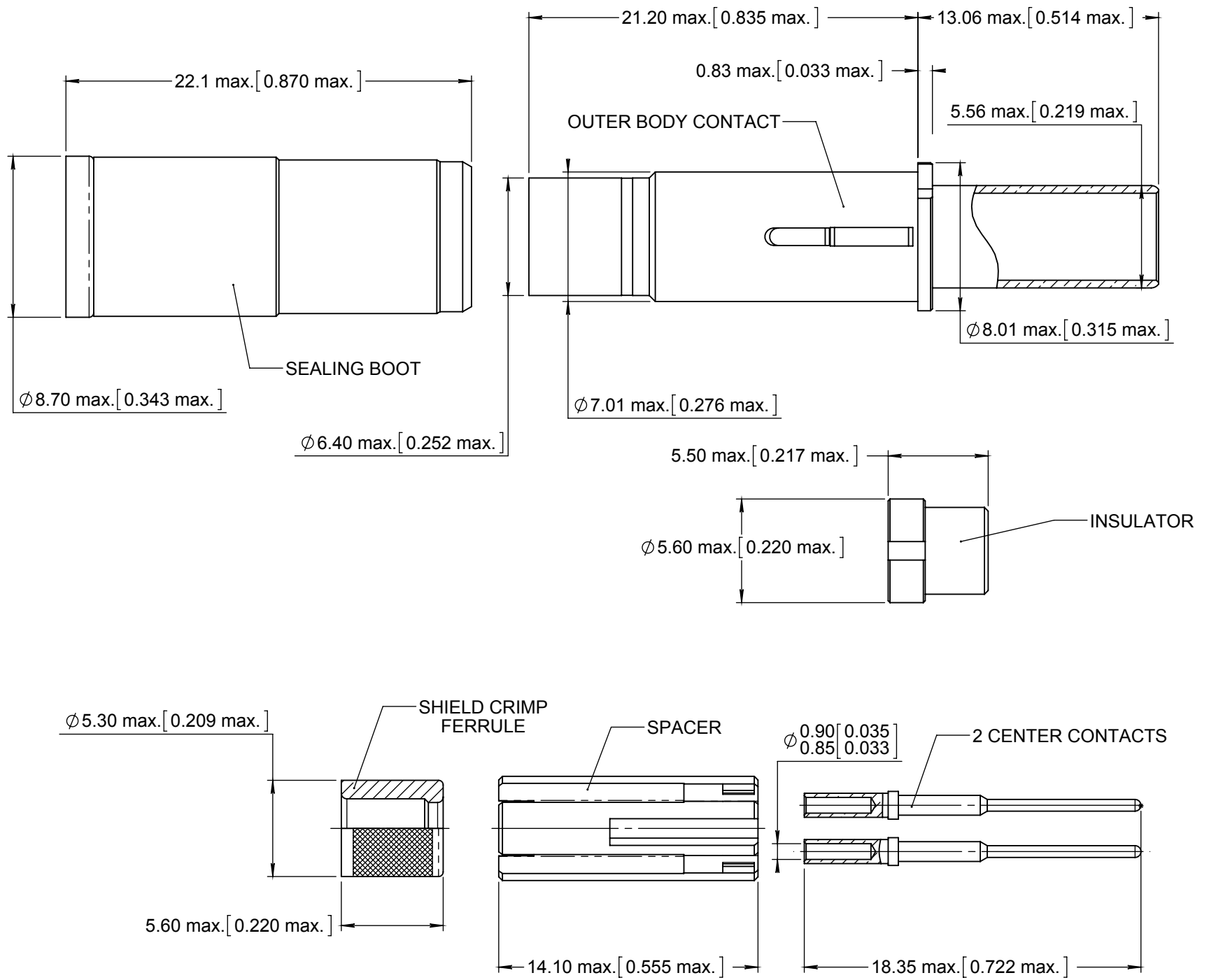


Series
EPXB

SIZE 8 PIN TWINAX CONTACT
AWG 26 CABLE
TYCO 1726A1424

Issue:
August 02, 2011

Page
1/1



MATERIAL :

- OUTER, CENTER CONTACTS AND FERRULE: COPPER ALLOY
- INSULATOR AND CENTERING BOOT : PTFE PER ASTM-D-1710 OR EQUIVALENT
- SPACER : THERMOPLASTIC PER ASTM D 5205
- SEALING BOOT : THERMOPLASTIC AND FLUOROSILICONE

FINISH :

- ALL METAL PARTS :
PLATING .00005 INCH OF GOLD PER MIL-G-45204 TYPE I OR II
GRADE C OR D CLASS 1 OVER NICKEL PER QQ-N-290

EXTRACTION TOOL :

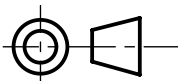
- M81969/28.03 (RADIALL : 282 549 001) OR M81969/14-06

WIRING INSTRUCTIONS : SEE RP56870

CABLES:

- NEXANS (FILOTEX) P/N : ABS 0386 WF / ET96897.
- DRAKA-FILECA P/N : F 2703-37.
- RAYCHEM P/N : 1726A1424.

DIMENSIONS : mm (inch are given for information only)



Confidential information not to be disclosed to third parties without Radiall approval. This information is given as an indication. In the continual goal to improve our products, we reserve the right to make any modifications judged necessary.

4112_9311

CREATION				
PEN:				
NOM: Branjonneau				
DATE: August 02, 2011				
APPR.: M. Pessard				
Issue	Revisions	Name	Approved	