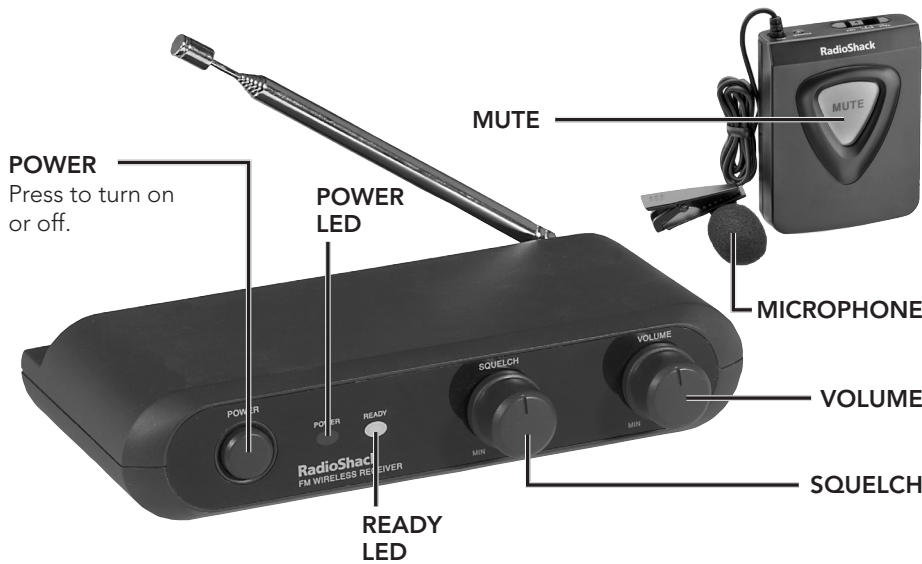


Thank you for purchasing your 170MHz VHF Single-Channel Wireless Lapel Microphone System from RadioShack. Your system transmits microphone signals up to 200 feet away from the receiver, allowing you to move freely. Please read this user's guide before installing, setting up, and using your new microphone.

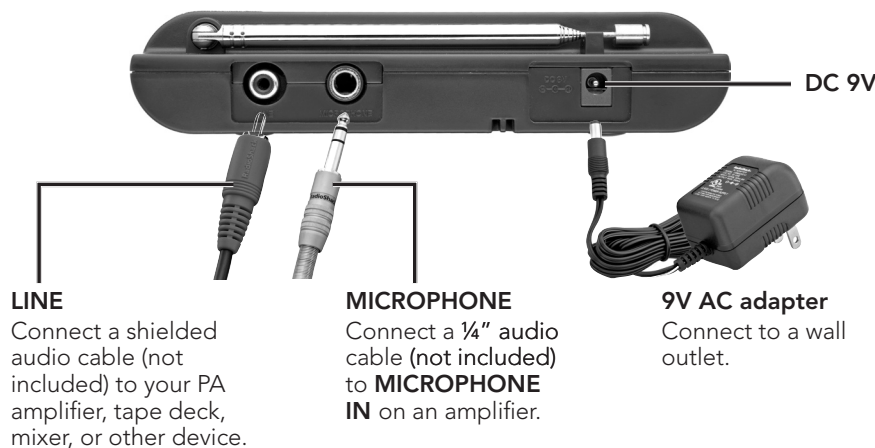


1 Install transmitter batteries

1. Remove the belt clip.
2. Remove the battery cover.
3. Install 2 AA batteries (not included) matching the polarity symbols (+ and -) marked inside.
4. Replace the battery cover.



2 Connect the receiver



3 Use the microphone system

1. Push **POWER** to turn on the receiver. The indicator lights.
2. Set the transmitter's **TALK/STANDBY/OFF** switch to **TALK**.
3. Speak at a normal level and adjust **VOLUME** on the receiver.
4. Rotate **SQUELCH** to control the transmitting distance.



What's Included

Receiver
Adapter

Transmitter
User's Guide

Features

- Three operating channels are available so that you can use three microphone systems at the same time.
- Squelch adjustment on the receiver limits background noise while you are speaking into the microphone.
- Volume adjustment on the receiver adjusts the audio signal amplitude of the Line and Microphone output ports.
- The Line and Microphone outputs on the receiver connect to other audio equipment.

Care

Keep your receiver and transmitter dry; if they get wet, wipe them dry immediately. Use and store the system only in room temperature environments. Handle your receiver and transmitter carefully; do not drop them. Keep your microphone system away from dust and dirt, and wipe the receiver and transmitter with a damp cloth occasionally to keep them looking new.

Specifications

Frequency 169.505 MHz
..... 170.245 MHz
..... 171.905 MHz

Transmitter

Directivity unidirectional
Sensitivity 88dB SPL at 7kHz FM
Operating range 200 ft (61 m)
Power source 2 AA batteries or 3V DC

Current consumption less than 60mA
Battery life about 40 hrs
Dimensions 3x2.4x1.1 in (76x61x29 mm)
Weight 2 oz (57 g)

Receiver

Line output 510mV
Microphone output 10mV
Image rejection 55dB
Spurious rejection 55dB
Frequency response 80 - 10,000Hz
Power requirement 9V, 300mA AC/DC

Adapter

Dimensions 6.7x4.2x1.5 in
..... (170x106x37 mm)
Weight 7.8 oz (220 g)

Specifications are subject to change and improvement without notice. Actual product may vary from the images found in this document.

www.radioshack.com



Protect the environment by recycling used electronics. Go to E-CyclingCentral.com to find a recycle location near you.

Install Transmitter Batteries

Replace the batteries when the **POWER LED** is off in talk mode.

- ① Turn off your transmitter.
- ② Gently pull up on the belt clip's tab and slide down to remove it. Then, remove the battery cover.
- ③ Install 2 AA batteries matching the polarity symbols (+ and -) marked inside.

Battery Notes:

- Dispose of old batteries promptly and properly. Do not burn or bury batteries.
- Use only fresh batteries of the required size and recommended type. Do not mix batteries of different sizes or types.
- If you do not plan to use your microphone system for a month or more, remove the batteries. Batteries can leak chemicals that can damage electronic parts.

Connect the Receiver

- ① Turn off the receiver and set **VOLUME** to **MIN**.
- ② Use the 9V AC adapter to connect the receiver to a standard 120V AC wall outlet.
- ③ Use a shielded audio cable to connect the **LINE** jack on the receiver to the **LINE/AUX** jack on a PA amplifier, tape deck, mixer, or other audio device.



NOTES:

- If you are using your amplifier's **LINE/AUX IN**, connect the **MICROPHONE** jack on the receiver to **MICROPHONE IN** on your amplifier using 1/4" audio cable (not included).
- You can connect both output jacks to external devices (for example, an amplifier and a tape recorder) to record microphone signals while listening to audio.

Use the Microphone System

- ① Clip the microphone onto your clothing, 3 to 8" from your mouth. Clip the transmitter to your belt or pocket.
- ② Push **POWER** to turn on the receiver. The power indicator lights up.
- ③ Fully extend the receiver's antenna.
- ④ Set the transmitter's **TALK/STANDBY/OFF** switch to **TALK**. The **READY** indicator on the receiver will light up.
- ⑤ Speak at a normal level and adjust **VOLUME** on the receiver.
- ⑥ To momentarily turn off the microphone, press and hold **MUTE**. Release **MUTE** when ready to talk.
- ⑦ Use **STANDBY** to avoid the popping noise that might occur if you turn **TALK/STANDBY/OFF** to **OFF** and then back to **TALK**.
- ⑧ Rotate **SQUELCH** to control the transmitting distance. Turn to minimum to increase the transmitting distance.

NOTE: When you finish using the system, be sure to switch the transmitter to **OFF** mode to save battery power.

CAUTION RISK OF ELECTRIC SHOCK DO NOT OPEN	WARNING: To reduce the risk of fire or shock hazard, do not expose this product to rain or moisture
CAUTION: TO REDUCE THE RISK OF ELECTRIC SHOCK, DO NOT REMOVE THE COVER OR BACK. NO USER-SERVICEABLE PARTS INSIDE. REFER SERVICING TO QUALIFIED PERSONNEL.	
	The lightning symbol is intended to alert you to the presence of uninsulated, dangerous voltage within this product's enclosure that might be of sufficient magnitude to constitute a risk of electric shock. Do not open the product's case.
	The exclamation mark symbol is intended to inform you that important operating and maintenance instructions are included in the literature accompanying this product.

FCC Information

Warning: Modifying, tampering with, or adjusting this unit, or replacing any transmitter component (crystal, semiconductor, etc.) may result in a violation of the FCC rules.

This equipment has been tested and found to comply with the limits for a Class B digital device, pursuant to Part 15 of the FCC Rules. These limits are designed to provide reasonable protection against harmful interference in a residential installation. This equipment generates, uses, and can radiate radio frequency energy and, if not installed and used in accordance with the instructions, may cause harmful interference to radio communications. However, there is no guarantee that interference will not occur in a particular installation. If this equipment does cause harmful interference to radio or television reception, which can be determined by turning the equipment off and on, the user is encouraged to try to correct the interference by one or more of the following measures:

- Reorient or relocate the receiving antenna.
 - Increase the separation between the equipment and receiver.
 - Connect the equipment into an outlet on a circuit different from that to which the receiver is connected.
 - Consult your local **RadioShack** store or an experienced radio/TV technician for help.
- If you cannot eliminate the interference, the FCC requires that you stop using your microphone system. Changes or modifications not expressly approved by **RadioShack** may cause interference and void the user's authority to operate the equipment.

This device complies with Part 15 of the FCC Rules. Operation is subject to the condition that this device may not cause harmful interference.

This wireless microphone system complies with Part 90 of the FCC Rules. There are three frequencies available for the system. You must obtain a license for each frequency you plan to use before operating your system. One license can include both frequencies. Visit <http://wireless.fcc.gov/uls/>, or call your local FCC office to apply for your license. Your ability to obtain a license will depend on how you plan to use the system.

For RF exposure

"IMPORTANT NOTE: To comply with the FCC RF exposure compliance requirements, no change to the antenna or the device is permitted. Any change to the antenna or the device could result in the system exceeding the RF exposure requirements."

For devices less than 200mW ERP

SAFETY INFORMATION

Your wireless microphone contains a low power transmitter. When the EUT is powered on, it sends out radio frequency (RF) signals. In August 1996, the Federal Communications Commissions (FCC) adopted RF exposure guidelines with safety levels for wireless devices.

IMPORTANT

To maintain compliance with the FCC's RF exposure guidelines, hold the transmitter and antenna at least 1 inch (2.5 centimetres) from your face and speak in a normal voice, with the antenna pointed up and away from the face. Ensure that the antenna is at least 1 inch (2.5 centimetres) from your body when you are using your wireless microphone.

Use only the supplied antenna. Unauthorized antennas, modifications, or attachments could damage the transmitter and may violate FCC regulations.

Limited Warranty

RadioShack warrants this product against defects in materials and workmanship under normal use by the original purchaser for ninety (90) days after the date of purchase from a **RadioShack**-owned store or an authorized **RadioShack** franchisee or dealer. **RADIOSHACK** MAKES NO OTHER EXPRESS WARRANTIES.

This warranty does not cover: (a) damage or failure caused by or attributable to abuse, misuse, failure to follow instructions, improper installation or maintenance,

alteration, accident, Acts of God (such as floods or lightning), or excess voltage or current; (b) improper or incorrectly performed repairs by persons who are not a **RadioShack** Authorized Service Facility; (c) consumables such as fuses or batteries; (d) ordinary wear and tear or cosmetic damage; (e) transportation, shipping or insurance costs; (f) costs of product removal, installation, set-up service, adjustment or reinstallation; and (g) claims by persons other than the original purchaser. Should a problem occur that is covered by this warranty, take the product and the **RadioShack** sales receipt as proof of purchase date to any **RadioShack** store in the U.S. **RadioShack** will, at its option, unless otherwise provided by law: (a) repair the product without charge for parts and labor; (b) replace the product with the same or a comparable product; or (c) refund the purchase price. All replaced parts and products, and products on which a refund is made, become the property of **RadioShack**. New or reconditioned parts and products may be used in the performance of warranty service. Repaired or replaced parts and products are warranted for the remainder of the original warranty period. You will be charged for repair or replacement of the product made after the expiration of the warranty period.

RADIOSHACK EXPRESSLY DISCLAIMS ALL WARRANTIES AND CONDITIONS NOT STATED IN THIS LIMITED WARRANTY. ANY IMPLIED WARRANTIES THAT MAY BE IMPOSED BY LAW, INCLUDING THE IMPLIED WARRANTY OF MERCHANTABILITY AND, IF APPLICABLE, THE IMPLIED WARRANTY OF FITNESS FOR A PARTICULAR PURPOSE, SHALL EXPIRE ON THE EXPIRATION OF THE STATED WARRANTY PERIOD.

EXCEPT AS DESCRIBED ABOVE, **RADIOSHACK** SHALL HAVE NO LIABILITY OR RESPONSIBILITY TO THE PURCHASER OF THE PRODUCT OR ANY OTHER PERSON OR ENTITY WITH RESPECT TO ANY LIABILITY, LOSS OR DAMAGE CAUSED DIRECTLY OR INDIRECTLY BY USE OR PERFORMANCE OF THE PRODUCT OR ARISING OUT OF ANY BREACH OF THIS WARRANTY, INCLUDING, BUT NOT LIMITED TO, ANY DAMAGES RESULTING FROM INCONVENIENCE AND ANY LOSS OF TIME, DATA, PROPERTY, REVENUE, OR PROFIT AND ANY INDIRECT, SPECIAL, INCIDENTAL, OR CONSEQUENTIAL DAMAGES, EVEN IF **RADIOSHACK** HAS BEEN ADVISED OF THE POSSIBILITY OF SUCH DAMAGES.

Some States do not allow limitations on how long an implied warranty lasts or the exclusion or limitation of incidental or consequential damages, so the above limitations or exclusions may not apply to you. This warranty gives you specific legal rights, and you may also have other rights which vary from State to State. You may contact **RadioShack** at:

RadioShack Customer Relations
300 RadioShack Circle, Fort Worth, TX 76102
04/08