

Cat. No. 43-494  
**OWNER'S MANUAL**

Please read before using this equipment.

---

**FM Cordless  
Room Monitor**

---



**RadioShack™**

# FEATURES

---

---

Your RadioShack FM Cordless Room Monitor lets you hear what's going on in another room, when you can't be in the room yourself. It is simple to use and install.

Your room monitor's features include:

## *Transmitter*

**Power Options** — let you power your transmitter from AC power with the supplied adapter.

**Sensitive Microphone** — detects sound up to about 10 feet away from the sound source (distance might vary, depending on the volume of the sound).

**Two Available Frequencies** — reduce the likelihood of interference from outside sources.



## *Receiver*

**Intensity Indicator** — shows the loudness of a sound by the number of LEDs that light on the front of the receiver, so you do not have to turn the volume up.

---

**Belt Clip** — lets you keep your hands free and even move from room to room while monitoring.

**Warning:** To prevent fire or shock hazard, do not expose this product to rain or moisture.

	<b>CAUTION</b> RISK OF ELECTRIC SHOCK. DO NOT OPEN.	
<b>CAUTION: TO REDUCE THE RISK OF ELECTRIC SHOCK, DO NOT REMOVE COVER OR BACK. NO USER-SERVICEABLE PARTS INSIDE. REFER SERVICING TO QUALIFIED PERSONNEL.</b>		



This symbol is intended to alert you to the presence of un-insulated dangerous voltage within the product's enclosure that might be of sufficient magnitude to constitute a risk of electric shock. Do not open the product's case.



This symbol is intended to inform you that important operating and maintenance instructions are included in the literature accompanying this product.

---

---

## Notes:

- Your room monitor operates on standard radio frequencies as allocated by the FCC. Therefore, it is possible for receivers on the same frequency to monitor your conversations and/or cause interference on your room monitor. This can occur on any device that uses standard radio frequencies.
- Turn the transmitter off when not in use since it continues to transmit as long as power is on.

**Caution:** The room monitor is designed to assist adults in child supervision. It does not replace watchful and responsible care of a child. To hear its transmissions, you must stay within the room monitor's range when you are using it, and you should regularly monitor its transmissions to ensure it receives properly.

---

---

## THE FCC WANTS YOU TO KNOW

Your room monitor might cause TV or radio interference even when it is operating properly. To determine whether your room monitor is causing the interference, turn off your room monitor. If the interference goes away, your room monitor is causing it. Try to eliminate the interference by:

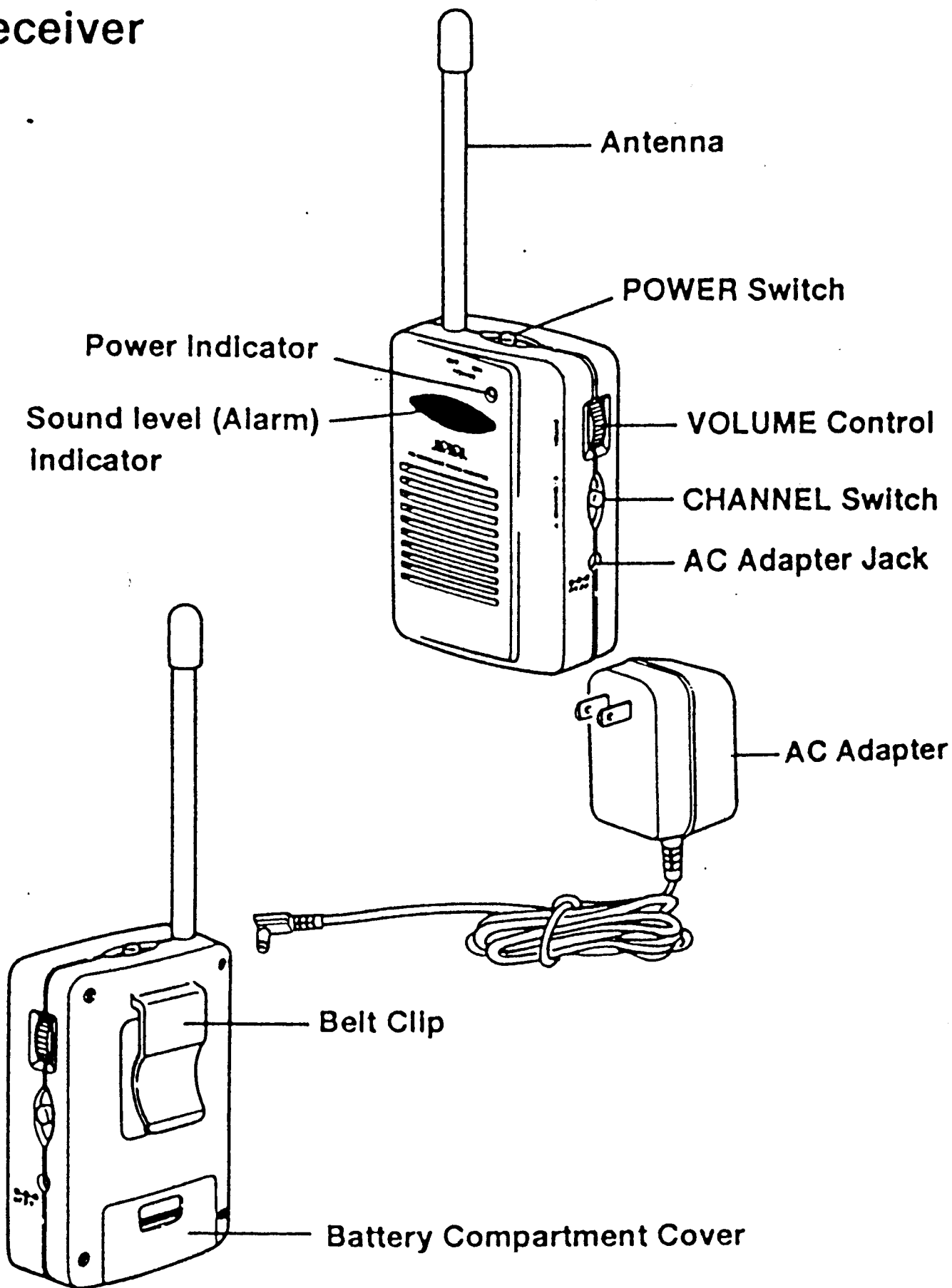
- Moving your room monitor away from the device that is receiving interference
- Connecting your room monitor's transmitter to an outlet that is on a different electrical circuit from the device that is receiving interference
- Contacting your local RadioShack store for help

If you cannot eliminate the interference, the FCC requires that you stop using your room monitor.

# CONTROL LOCATIONS

---

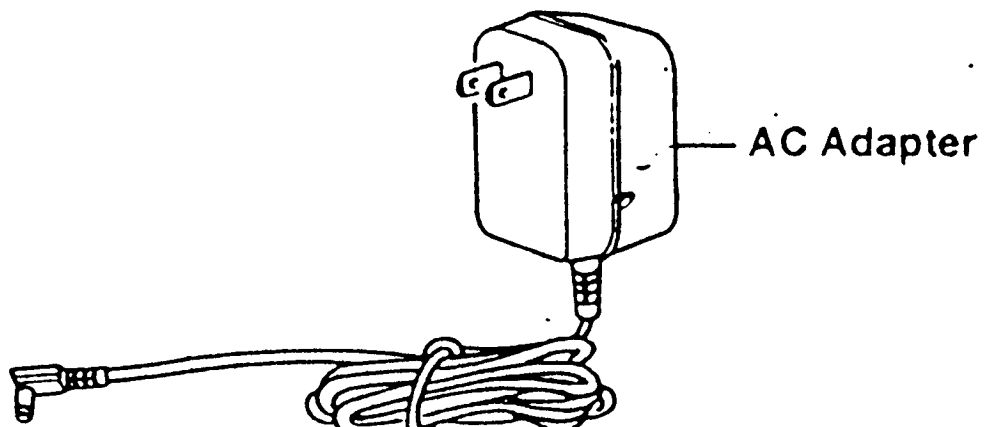
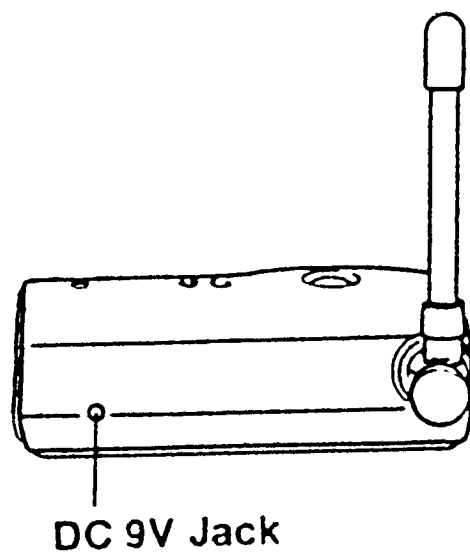
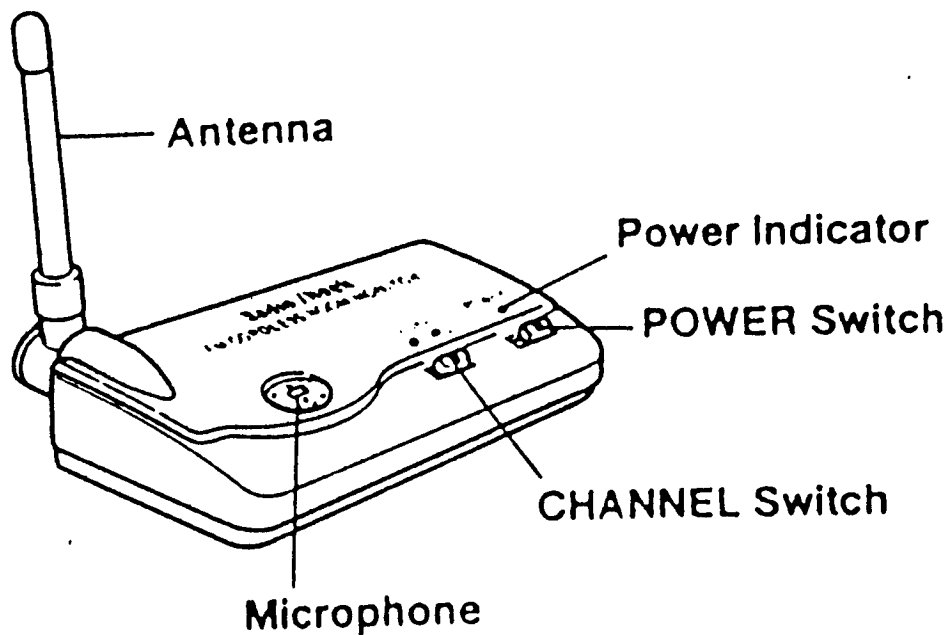
## Receiver



---

---

# Transmitter



# PREPARATION

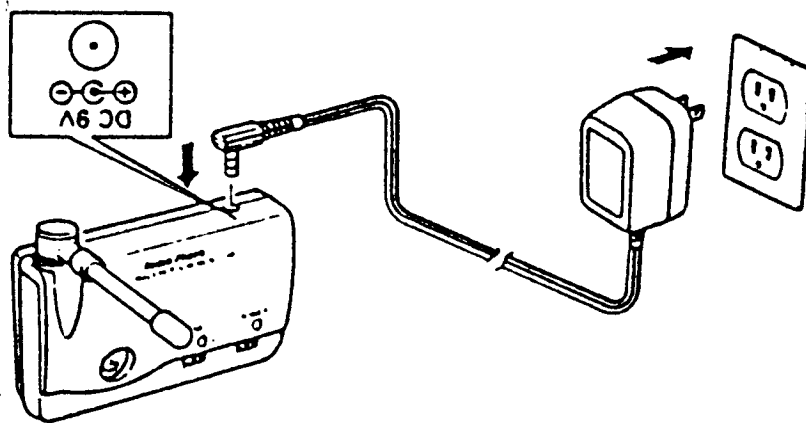
---

## POWERING THE TRANSMITTER

1. Place the transmitter near the sound source you want to monitor.
2. Insert the supplied AC adapter's barrel plug into the transmitter's DC 9V jack.

**Caution:** Use only the supplied adapter. Using any other adapter voids the room monitor's warranty.

3. Plug the adapter's AC plug into a standard AC outlet.



Unplug the adapter if you will not use the transmitter for a long time.

**Caution:** To prevent a possible short circuit, always unplug the adapter from the outlet first, then unplug it from the transmitter.



---

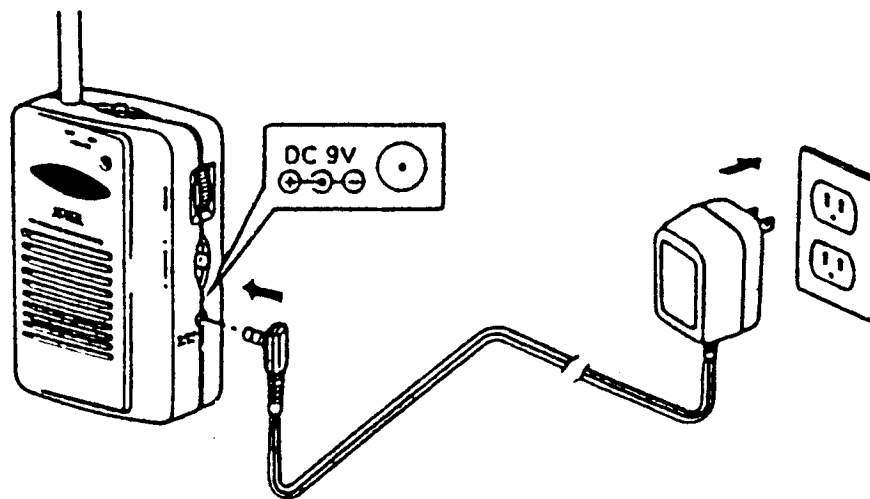
## POWERING THE RECEIVER

The receiver operates either from AC power (with the supplied AC adapter) or a 9V alkaline battery.

### Using AC Power

**Warning:** Check the receiver's power indicator to be sure the power is off. If power is on, slide **POWER** Switch to left side.

1. Insert the supplied adapter's barrel plug into the receiver's jack.



**Caution:** Use only the supplied adapter. Using any other adapter voids the warranty.

2. Plug the adapter's AC plug into a standard AC outlet.

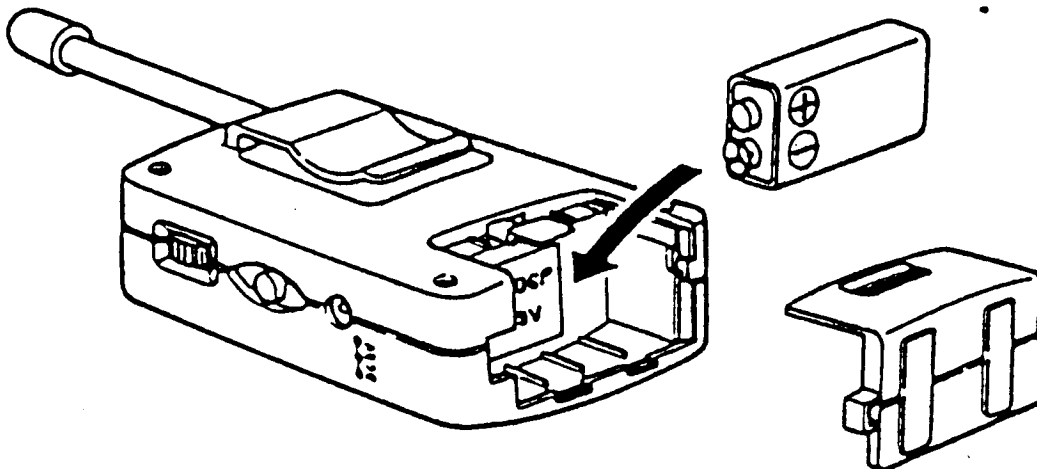
Unplug the adapter if you will not use the receiver for a long time.

**Caution:** To prevent a possible short circuit, always unplug the adapter from the outlet first, then unplug it from the transmitter.

---

## Using a Battery

**Warning:** Disconnect AC power before installing the battery.



1. Open the battery compartment cover on the receiver's back by sliding it forward the bottom of the receiver.
2. Install a 9V battery in the compartment as indicated by the polarity symbols (+ and -) marked inside the compartment.
3. Replace the cover.

### Notes:

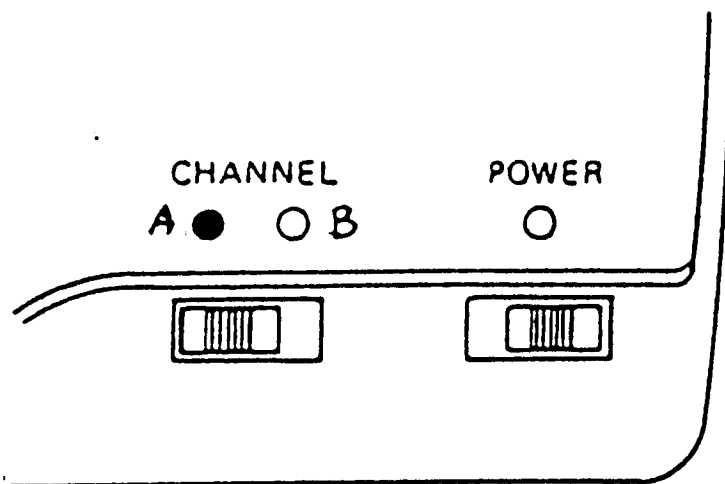
- If the range decreases or the power indicator does not light when you turn the receiver on, replace the battery.
- When you connect the AC adapter, the battery is automatically disconnected.

**Caution:** If you do not plan to use the battery for a week or more, remove it. The battery might leak chemicals that can damage the receiver's electronic circuits.

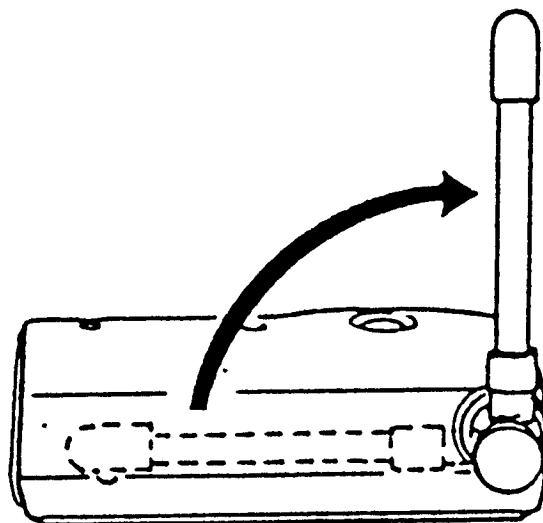
# OPERATION

---

1. Slide **POWER** to the right to turn on the transmitter. The power indicator lights.

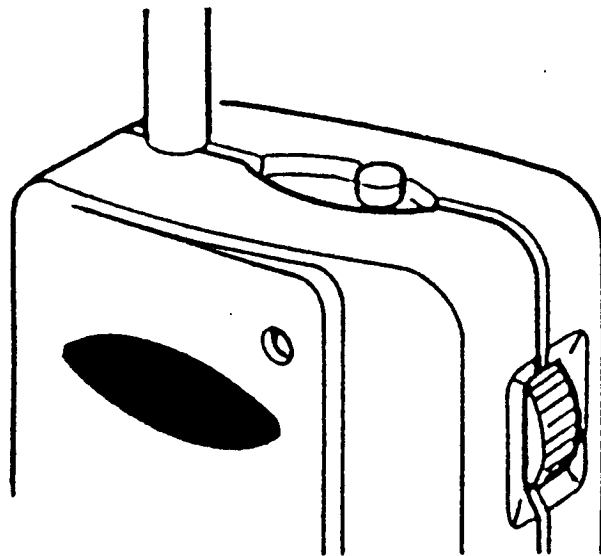


2. Rotate the transmitter's antenna to the vertical position for the maximum transmission range.



- 
- 
3. Slide **POWER** switch to the right to turn on the receiver. The power indicator will light up.

If the receiver sounds a shrill noise, it is too close to the transmitter.



4. Rotate **VOLUME** on the receiver to adjust the volume.
5. Ask someone to talk near the transmitter (or place a radio near the transmitter and turn it on). Move around the house with the receiver to check the transmitter's range.

As the receiver moves away from the transmitter, the hissing background noise increases. Move closer to the transmitter to eliminate the noise.

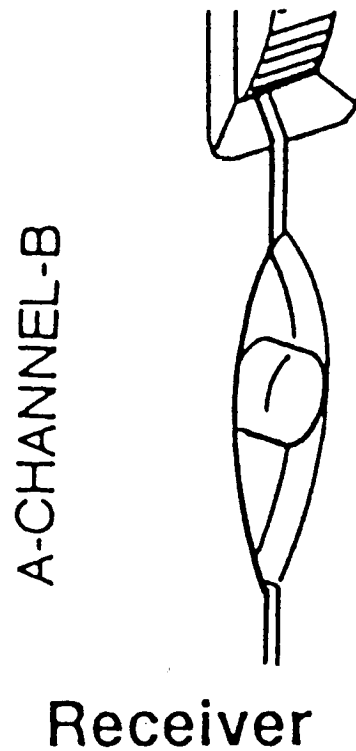
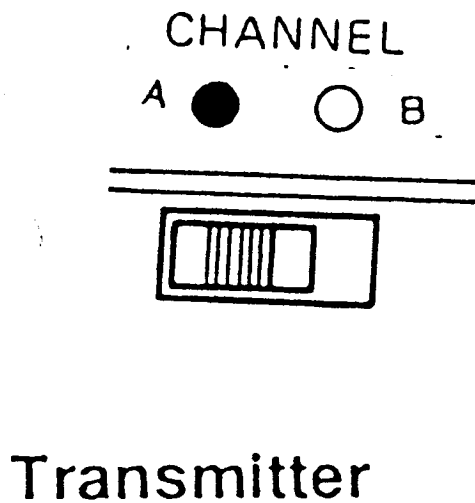
Range varies depending on obstructions, such as the number of walls between units, locations of furniture and appliances, and so on.

6. To turn off the transmitter, slide **POWER** to the left. The power indicator turns off.

---

7. To turn off the receiver, Slide **POWER** switch to the left and the power indicator will turn off.

**CHANNEL** on both the transmitter and receiver is originally set to A. If interference occurs, set **CHANNEL** on both units to B. Both units must be set to the same channel for the system to operate.



# TROUBLESHOOTING

---

If a problem occurs, check that:

- Both units are on.
- Both adapters are plugged in firmly, or the transmitter's adapter is plugged in firmly and the receiver has a good battery.
- Volume on the receiver is turned up.
- Both units are set to the same channel.

If you cannot solve the problem, bring your units to your local Radio Shack store for assistance.

# CARE AND MAINTENANCE

---

Your Radio Shack FM Cordless Baby Room Monitor is an example of superior design and craftsmanship. The following suggestions will help you care for the monitor so you can enjoy it for years.

- Keep the transmitter and receiver dry. If they get wet, wipe them dry immediately. Liquids can contain minerals that corrode electronic circuits.
- Handle the transmitter and receiver gently and carefully. Dropping them can damage circuit boards and cases and cause the units to work improperly.
- Use and store the transmitter and receiver only in normal temperature environments. Temperature extremes can shorten the life of electronic devices, damage the batteries, and distort or melt plastic parts.
- Keep the transmitter and receiver away from dust and dirt, which can cause premature wear of parts.
- Wipe the transmitter and receiver with a damp cloth occasionally to keep them looking new. Do not use harsh chemicals, cleaning solvents, or strong detergents to clean the units.

Modifying or tampering with the room monitor's internal components can cause a malfunction and might invalidate the warranty and void your FCC authorization to operate it. If your room monitor is not performing as it should, take it to your local Radio Shack store for assistance.

# SPECIFICATIONS

---

Operating Frequencies: Channel A: 49.860 MHz  
Channel B: 49.890 MHz

Power: Transmitter: Supplied AC adapters  
Receiver: DC 9V, one 9V rectangular battery

Dimensions: Transmitter: 127 X 75 X 36 mm WDH  
5 X 2 <sup>15</sup>/<sub>16</sub> X 1 <sup>13</sup>/<sub>32</sub> inches WDH  
Receiver: 74 X 36 X 205 mm  
2 <sup>29</sup>/<sub>32</sub> X 1 <sup>13</sup>/<sub>32</sub> X 8 <sup>1</sup>/<sub>16</sub> inches WDH

Weight: Transmitter: 114g (4 oz)  
Receiver: 175g (6.2 oz)



## **RadioShack Limited Warranty**

This product is warranted against defects for 90 days from date of purchase from RadioShack company-owned stores and authorized RadioShack franchisees and dealers. Within this period, we will repair it without charge for parts and labor. Simply bring your RadioShack sales slip as proof of purchase date to any RadioShack store. Warranty does not cover transportation costs. Nor does it cover a product subjected to misuse or accidental damage.

EXCEPT AS PROVIDED HEREIN, RadioShack MAKES NO EXPRESS WARRANTIES AND ANY IMPLIED WARRANTIES ARE LIMITED IN DURATION TO THE DURATION OF THE WRITTEN LIMITED WARRANTIES CONTAINED HEREIN. Some states do not permit limitation or exclusion of implied warranties; therefore, the aforesaid limitation(s) or exclusion(s) may not apply to the purchaser.

This warranty gives you specific legal rights and you may also have other rights which vary from state to state.

*We Service What We Sell*

10/95

**RadioShack**  
**A Division of Tandy Corporation**  
**Fort Worth, Texas 76102**