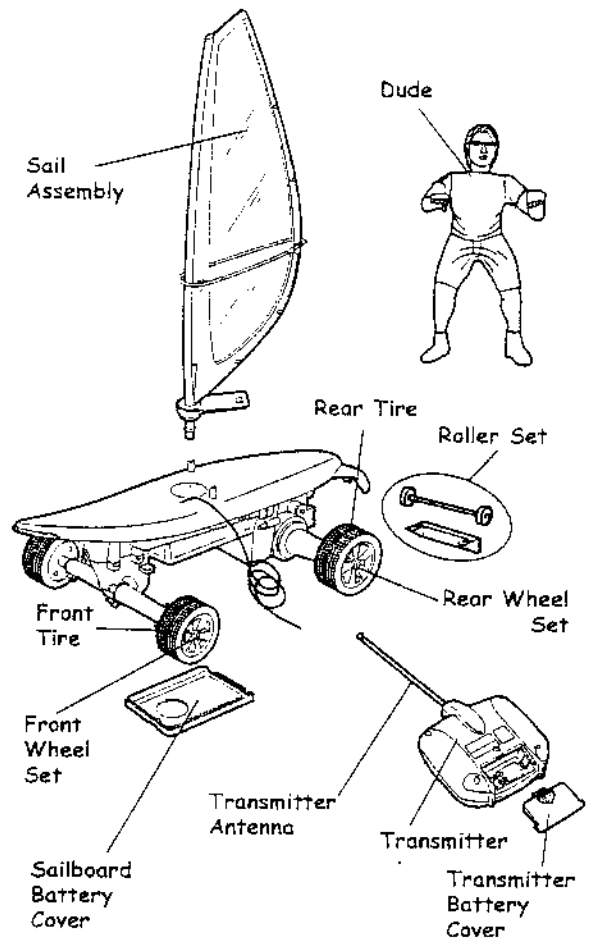


should, take it to your local RadioShack store for assistance.

USER-REPLACEABLE PARTS

You can order these easily replaceable parts for your sailboard at your local RadioShack store. Simply identify the part(s) you need from this exploded view, then find the part number in the list.

Part Description	RSU #
Roller Set	12334082
Dude	12334074
Sail Assembly	12334066
Front Tire	12334025
Rear Tire	12334058
Front Wheel Set	12337432
Rear Wheel Set	12337440
Sailboard Battery Cover	12334090
Transmitter Battery Cover	12334124
Transmitter Antenna	12344132
Transmitter (27 MHz)	12334108
(49 MHz)	12334116
Service Manual	12337465
Owner's Manual	12337457



Limited Ninety-Day Warranty

This product is warranted by RadioShack against manufacturing defects in material and workmanship under normal use for ninety (90) days from the date of purchase from RadioShack company-owned stores and authorized RadioShack franchisees and dealers. EXCEPT AS PROVIDED HEREIN, RadioShack MAKES NO EXPRESS WARRANTIES AND ANY IMPLIED WARRANTIES, INCLUDING THOSE OF MERCHANTABILITY AND FITNESS FOR A PARTICULAR PURPOSE, ARE LIMITED IN DURATION TO THE DURATION OF THE WRITTEN LIMITED WARRANTIES CONTAINED HEREIN. EXCEPT AS PROVIDED HEREIN, RadioShack SHALL HAVE NO LIABILITY OR RESPONSIBILITY TO CUSTOMER OR ANY OTHER PERSON OR ENTITY WITH RESPECT TO ANY LIABILITY, LOSS OR DAMAGE CAUSED DIRECTLY OR INDIRECTLY BY USE OR PERFORMANCE OF THE PRODUCT OR ARISING OUT OF ANY BREACH OF THIS WARRANTY, INCLUDING, BUT NOT LIMITED TO, ANY DAMAGES RESULTING FROM INCONVENIENCE, LOSS OF TIME, DATA, PROPERTY, REVENUE, OR PROFIT OR ANY INDIRECT, SPECIAL, INCIDENTAL, OR CONSEQUENTIAL DAMAGES. EVEN IF RadioShack HAS BEEN ADVISED OF THE POSSIBILITY OF SUCH DAMAGES. Some states do not allow limitations on how long an implied warranty lasts or the exclusion or limitation of incidental or consequential damages, so the above limitations or exclusions may not apply to you.

In the event of a product defect during the warranty period, take the product and the RadioShack sales receipt as proof of purchase date to any RadioShack store. RadioShack will, at its option, unless otherwise provided by law: (a) correct the defect by product repair without charge for parts and labor; (b) replace the product with one of the same or similar design; or (c) refund the purchase price. All replaced parts and products, and products on which a refund is made, become the property of RadioShack. New or reconditioned parts and products may be used in the performance of warranty service. Repaired or replaced parts and products are warranted for the remainder of the original warranty period. You will be charged for repair or replacement of the product made after the expiration of the warranty period.

This warranty does not cover: (a) damage or failure caused by or attributable to acts of God, abuse, accident, misuse, improper or abnormal usage, crash, collision, impact, violent contact, failure to follow instructions, improper installation or maintenance, alteration, lightning or other incidence of excess voltage or current; (b) any repairs other than those provided by a RadioShack Authorized Service Facility; (c) consumables such as fuses or batteries; (d) cosmetic damage; (e) transportation, shipping or insurance costs; or (f) costs of product removal, installation, set-up service adjustment or reinstallation.

This warranty gives you specific legal rights, and you may also have other rights which vary from state to state.

RadioShack Customer Relations, 200 Taylor Street, 6th Floor, Fort Worth, TX 76102

We Service What We Sell

12/99

RadioShack Corporation
Fort Worth, Texas 76102

60-4293
INS-2305-52
04A01
Printed in China

Dazzle your friends as you jump big waves and defy the open ocean!

Your RadioShack Manta Ray catches extreme wind tacking from side to side, just like it was in the open ocean! Imagine your surfer dude jumping waves as the sailboard pops wheelies and leans impossibly close to the ground. Built to 1/8 scale, your sailboard can reach speeds of up to 700 feet per minute.

THE FCC WANTS YOU TO KNOW

Your sailboard might cause TV or radio interference even when it is operating properly. To determine whether your sailboard is causing the interference, turn it off. If the interference goes away, your sailboard is causing it. Try to eliminate the interference by:

- moving your sailboard away from the receiver
- contacting your local RadioShack store for help

If you cannot eliminate the interference, the FCC requires that you stop using your sailboard.

This device complies with Part 15 of the FCC Rules. Operation is subject to the following two conditions: (1) this device may not cause harmful interference, and (2) this device must accept any interference received, including interference that may cause undesired operation.

Changes or modifications to this product not expressly approved by RadioShack, or operation of this product in any way other than as detailed by

the Owner's Manual, could void your authority to operate the product.

INSTALLING BATTERIES

Warning: Dispose of old batteries promptly and properly. Do not burn or bury them.

Cautions:

- Use only fresh batteries of the required size and recommended type.
- Do not mix old and new batteries, different types of batteries (standard, alkaline, or rechargeable), or rechargeable batteries of different capacities.
- If you do not plan to use the sailboard for a week or more, remove the batteries from the transmitter and the sailboard. Batteries can leak chemicals that can destroy electronic parts.
- Never leave dead or weak batteries in the transmitter or the sailboard.

In the Transmitter

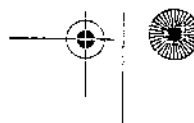
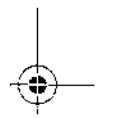
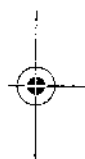
The transmitter requires one 9-volt battery (not supplied) for power. For the best performance and longest life, we recommend a RadioShack alkaline battery.

1. Slide OFF/ON on the transmitter to OFF.
2. Slide the battery compartment cover in the direction of the arrow and lift it off.

© 2001 RadioShack Corporation. All Rights Reserved.
RadioShack and RadioShack.com are trademarks
used by RadioShack Corporation.

 **RadioShack®**

www.radioshack.com™



3. Thread the wire antenna through the three stays on the sail's mast.

Note: To avoid damaging the antenna, be sure to remove the antenna from the sail before detaching the sail from the sailboard.

ATTACHING THE TRANSMITTER'S ANTENNA

Thread the antenna into the transmitter's antenna connector. Be sure the connection is tight.

DRIVING THE SAILBOARD

To perform the coolest stunts, your sailboard needs to be running at high speed.

Warning: Your sailboard can reach higher speeds than other radio controlled vehicles. Be careful when driving the sailboard to avoid high-impact collisions with people and objects.

1. Fully extend the transmitter's antenna.
2. Slide OFF/ON on the transmitter to ON.
3. Slide OFF/ON on the sailboard to ON.
4. Use the transmitter's control levers to steer the sailboard.

Left Control Lever

- Push forward to move forward.
- Pull back to move backward.
- Release to stop.

Right Control Lever

- Push left to turn left.
 - Push right to turn right.
 - Release to go straight.
5. Slide OFF/ON on the sailboard and the transmitter to OFF.

Stunt Tips

Extreme Tacking — move the right control lever rapidly to the right and left while moving forward or backward to make the

sailboard and the dude tack from side to side.

Poppin' the Big Wheelie — while the sailboard is moving forward, quickly put it in reverse, then drive it forward with its nose in the air.

HELPFUL HINTS

These hints can help you get the most enjoyment from your sailboard.

- Running your sailboard continuously for long periods generates high heat levels. Heat causes wear and tear on the motor. To help keep heat levels down, when the battery pack dies, let the sailboard cool at least 10 minutes before installing a new or newly charged battery pack.
- You cannot operate your sailboard near CBs or devices with transmitters that use the same frequency as your sailboard (27 MHz or 49 MHz). If this happens, check your sailboard's box to see which frequency it uses, and move the sailboard away from the interference.
- If the sailboard moves slowly and you just installed a fully charged battery pack, check the wheel mechanisms for lint, thread, hair, or dust.

CARE

Keep the sailboard dry; if it gets wet, wipe it dry immediately. Use and store the sailboard only in normal temperature environments. Handle the sailboard carefully; do not drop it. Keep the sailboard away from dust and dirt, and wipe it with a damp cloth occasionally to keep it looking new.

Modifying or tampering with the sailboard's internal components can cause a malfunction and might invalidate its warranty and void your FCC authorization to operate it. If your sailboard is not performing as it

- Place the battery in the compartment as indicated by the polarity symbols (+ and -) marked inside.
- Replace the cover and snap it shut.

When the transmitter's range decreases, replace its battery.

In the Sailboard

Your sailboard requires one 9.6-volt rechargeable battery pack (not supplied) for power. You must charge the rechargeable battery pack in a battery charger (not supplied) before you can use it to power the sailboard. To charge your battery pack, follow the charger's instructions.

Cautions:

- Use only the recommended battery pack and charger.
- Do not charge the battery pack while it is in the sailboard.
- After you charge the battery pack (for 12-14 hours), disconnect it from the charger. Overcharging the battery pack could damage it.
- When you disconnect the battery pack from the charger, do not pull on the connector's wires. You might damage the battery pack.
- Do not recharge a battery pack immediately after use (while it is still hot). Allow it to cool first.

Note: Occasionally, fully discharge the battery pack before you recharge it. Otherwise, the battery pack loses its ability to fully charge.

- Slide OFF/ON on the side of the sailboard to OFF.
- Turn the latch counterclockwise and open the battery compartment cover.
- Attach the battery pack's connector to the sailboard's matching connector.

Do not force them. They fit together only one way.

- Place the connectors in the groove on the side of the battery compartment. Then place the battery pack in the battery compartment.
- Replace the cover and turn the latch clockwise until it clicks.

As the Manta Lay loses power, it turns in a wider arc. When this happens, recharge the battery pack.

Important: The EPA certified RBRC® Battery Recycling Seal on the nickel-cadmium (Ni-Cd) battery indicates RadioShack is voluntarily participating in an industry program to collect and recycle these batteries at the end of their useful life, when taken out of service in the United States or Canada. The RBRC program provides a convenient alternative to placing used Ni-Cd batteries into the trash or the municipal waste stream, which may be illegal in your area. Please call 1-800-THE-SHACK (1-800-843-7422) for information on Ni-Cd battery recycling and disposal bans/restrictions in your area. RadioShack's involvement in this program is part of the company's commitment to preserving our environment and conserving our natural resources.



ATTACHING THE DUDE

- Place the dude on the sailboard, snap his hands onto the handrail, and his left foot onto the sail's foot step.
- Attach the sail to the sailboard.

