

Surf & Turf

60-4322

OWNER'S MANUAL — Please read before using this equipment.

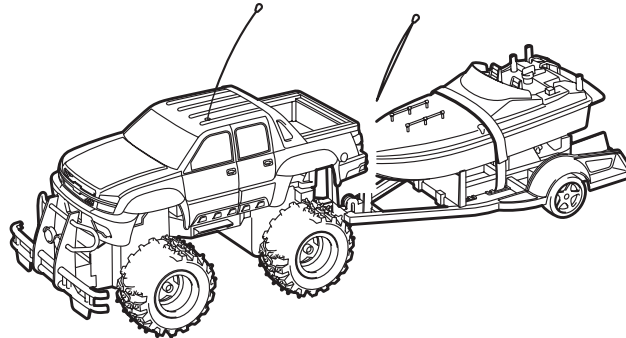
! IMPORTANT !

If an icon appears at the end of a paragraph, go to the box on that page with the corresponding icon for pertinent information.

- ⚠ — Warning
- ⚡ — Caution
- 📌 — Note
- ! — Important
- 💡 — Hint

CONTENTS

Assembling the Surf & Turf	2
Attaching the Transmitter's Antenna	2
Installing Batteries	3
In the Transmitter	3
In the Truck	3
In the Boat	4
Driving the Surf & Turf	5
Adjusting the Wheel Alignment	6
Care	6
Service and Repair	6



Thank you for purchasing RadioShack Surf & Turf. It's versatility lets you drive the truck and pull the trailer, drive the truck alone, or drive the boat in a swimming pool or at the lake. The Surf & Turf comes in two frequencies — 27MHz and 49MHz — so you can race with your friends. Check the box for the frequency listing.

The Surf & Turf is recommended for ages 8 and up.

FCC NOTICE

Your truck, boat, or transmitter might cause TV or radio interference even when it is operating properly. To determine whether your truck, boat, or transmitter is causing the interference, turn off all equipment and release the transmitter's control levers. If the interference goes away, Your truck, boat, or transmitter is causing it. Try to eliminate the interference by:

- moving your truck, boat, and transmitter away from the TV or radio
- contacting your local RadioShack store for help

If you cannot eliminate the interference, the FCC requires that you stop using your truck and boat.



RadioShack®

www.radioshack.com™

© 2002 RadioShack Corporation.

All Rights Reserved.

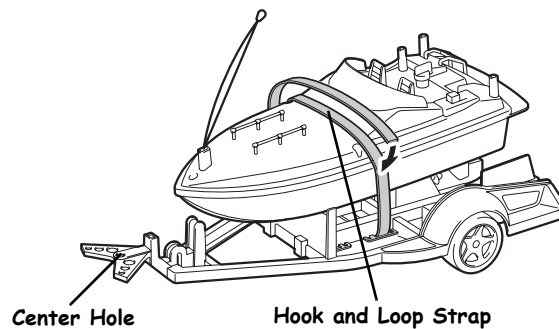
RadioShack and RadioShack.com are trademarks used by RadioShack Corporation.

This device complies with Part 15 of the *FCC Rules*. Operation is subject to the following two conditions: (1) this device may not cause harmful interference, and (2) this device must accept any interference received, including interference that may cause undesired operation.

Changes or modifications to this product not expressly approved by RadioShack, or operation of this product in any way other than as detailed by the Owner's Manual, could void your authority to operate the product.

ASSEMBLING THE SURF & TURF

To attach the trailer to the truck, insert the hook on the back of the truck into the center hole on the front of the trailer. To place the boat on the trailer, insert the fin next to the propeller into the slot at the back of the trailer and rest the boat on the trailer. Fasten the hook-and-loop strap to hold the boat on the trailer.



ATTACHING THE TRANSMITTER'S ANTENNA

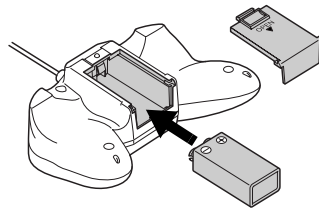
To attach the antenna to the transmitter, insert the antenna's threaded end into the transmitter and turn the antenna clockwise until it is secure.

INSTALLING BATTERIES

IN THE TRANSMITTER

The transmitter requires one 9-volt battery (not supplied). For the best performance and longest life, we recommend a RadioShack alkaline battery. ⚠️

1. Press down and slide the battery compartment cover in the direction of the arrow to remove it.
2. Place the battery in the compartment as indicated by the polarity symbols (+ and -) marked inside.

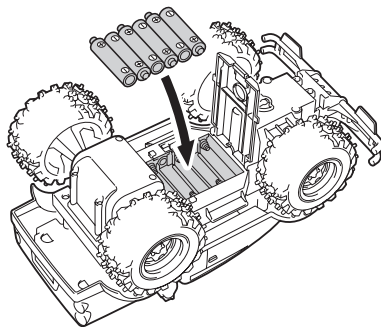


3. Replace the cover and snap it into place. ✓

IN THE TRUCK

The truck requires 6 AA alkaline batteries (not supplied). For the best performance and longest life, we recommend RadioShack alkaline batteries.

1. Set ON/OFF to OFF.
2. Slide the battery compartment cover in the direction of the arrow and lift to open it.
3. Insert 6 AA batteries into the compartment as indicated by the polarity symbols (+ and -) marked inside.



4. Replace the compartment cover. ✓

⚠️ WARNING ⚠️

- Dispose of batteries promptly and properly; do not bury or burn them.
- Do not mix old and new batteries, different types of batteries (standard, alkaline, or rechargeable), or rechargeable batteries of different capacities.

Installing Batteries

⚠️ CAUTION ⚠️

- Use only fresh batteries of the required size and recommended type.
- If you do not plan to use the truck or boat for a week or more, remove the batteries from the transmitter, truck, and boat. Batteries can leak chemicals that can damage electronic parts.
- Never leave dead or weak batteries in the transmitter, truck, or boat.

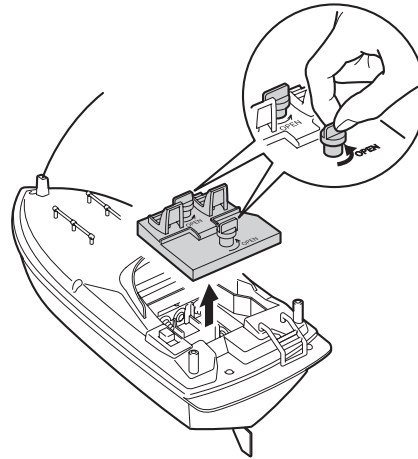
✓ NOTE ✓

- When the transmitter's range decreases, replace the battery.
- When the truck loses power or does not respond to the transmitter, replace the batteries.

IN THE BOAT

The boat requires 6 AA alkaline batteries (not supplied). For the best performance and longest life, we recommend RadioShack alkaline batteries.

1. Set **ON/OFF** to **OFF**.
2. Turn the battery compartment cover's latches counterclockwise until they stop, then lift off the cover.



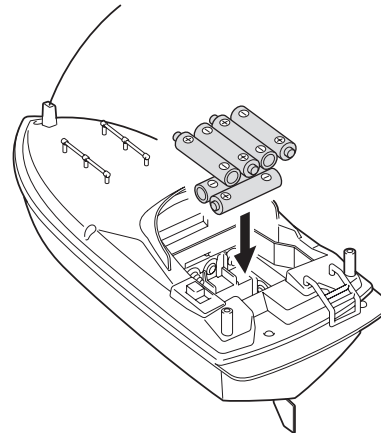
CAUTION


If water enters the boat's body, remove the batteries immediately.

NOTE

- When the boat loses power or does not respond to the transmitter, replace the batteries.
- The transmitter controls both the truck and boat. If you set the truck's and the boat's **ON/OFF** to **ON**, both the truck and boat move when you press the transmitter's control buttons.

3. Insert 6 AA batteries into the compartment as indicated by the polarity symbols (+ and -) marked inside.



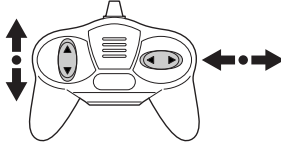
4. Replace the cover and turn the latches clockwise to secure the cover. 

DRIVING THE SURF & TURF

1. Fully extend the transmitter's antenna. For maximum range, hold the transmitter with the antenna pointing straight up. ⚠

2. Set **ON/OFF** on the truck or boat to **ON**. ✓

3. Use ▲/▼ or ◀/▶ on the transmitter to drive the truck or boat. ✓



▲/▼

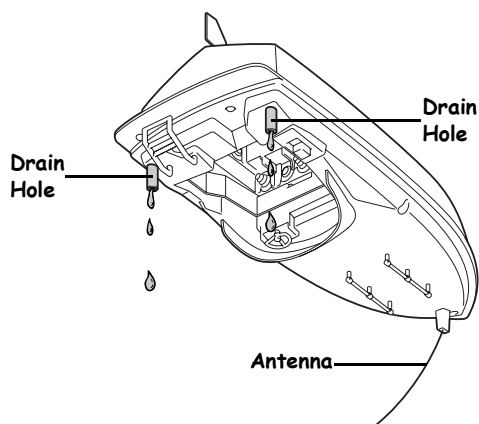
- Push forward to move forward.
- Pull backward to move backward.
- Release to stop.

◀/▶

- Push left to move left.
- Push right to move right.
- Release to go straight.

4. When you finish driving, set **ON/OFF** on truck or boat to **OFF**.

5. After you finish driving the boat, remove its batteries. Then turn the boat over, remove the rubber stoppers from the drain holes, empty any water from the hull, and dry the boat thoroughly before storing it. ✓



⚠ WARNING ⚠

- Never play with the truck in the street.
- Be careful when you use the truck to avoid high-impact collisions with people and objects.
- Do not use your boat in strong currents, in salt water, or in any body of water with large waves.
- Never touch the boat's propeller while it is spinning, or put your fingers near the propeller when **ON/OFF** is set to **ON**.
- Never play with your boat outside during thunderstorms.
- Never play with your boat in strong winds.
- Be careful not to wade into deep water or strong currents. When the boat goes outside the transmitter's control range, it stops. Hold the transmitter as high as possible with the antenna vertical to try to reestablish contact. If you cannot, move closer to the boat to control it.

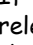
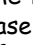

✓ NOTE ✓

- Make sure **ON/OFF** on the vehicle that you do not want to operate is set to **OFF**.
- The transmitter controls both the truck and boat. If you set **ON/OFF** on the truck and boat to **ON**, both the truck and boat move when you press ▲/▼ or ◀/▶ on the transmitter.
- If the truck gets stuck under an object, immediately release ▲/▼ or ◀/▶ on the transmitter, and retrieve the truck.
- To allow moisture to evaporate, leave the boat's battery cover off during periods of non use.

 **HINT** 

- Running your vehicle for long periods generates high heat levels. Heat causes wear and tear on the motor. To help keep heat levels down, when your vehicle's battery power dies, let it cool at least 10 minutes before installing new batteries.
- If someone uses a CB nearby, it might interfere with control of the truck or boat. If this happens, move the truck or boat and transmitter away from the CB.
- You cannot operate your truck or boat near devices with transmitters that use the same frequency as the truck and boat (either 27 MHz or 49 MHz).
- If the truck or boat moves slowly, and you just installed fresh batteries, check the wheel mechanisms of the truck or propeller mechanism of the boat for lint, thread, hair or dust.
- Do not leave your boat in the water when you finish driving it. Water might seep into the hull and damage electronic parts.
- Keep the boat away from grass growing in the water and other debris that could cause propeller damage. These items can jam the boat's propeller and stop the boat, so you might not be able to retrieve it.

ADJUSTING THE WHEEL ALIGNMENT

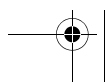
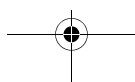
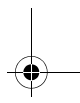
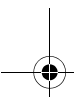
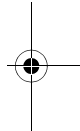
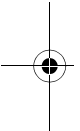
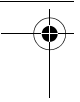
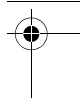
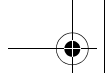
If the truck does not drive in a straight line when you release  , adjust **WHEEL ALIGNMENT** (located between the front wheels, underneath the truck). Push to L if the truck is pulling to the right, or to R if the truck is pulling to the left. 

CARE

Keep the truck dry, and wipe the boat clean with a dry towel after driving. Use and store the truck or boat only in normal temperature environments. Handle the truck or boat carefully; do not drop it. Keep the truck away from dust and dirt, and wipe it with a damp cloth occasionally to keep it looking new.

SERVICE AND REPAIR

If your truck or boat is not performing as it should, take it to your local RadioShack store for assistance. Modifying or tampering with the truck's or boat's internal components can cause a malfunction and might invalidate its warranty and void your FCC authorization to operate it.



Limited Ninety-Day Warranty

This product is warranted by RadioShack against manufacturing defects in material and workmanship under normal use for ninety (90) days from the date of purchase from RadioShack company-owned stores and authorized RadioShack franchisees and dealers. EXCEPT AS PROVIDED HEREIN, RadioShack MAKES NO EXPRESS WARRANTIES AND ANY IMPLIED WARRANTIES, INCLUDING THOSE OF MERCHANTABILITY AND FITNESS FOR A PARTICULAR PURPOSE, ARE LIMITED IN DURATION TO THE DURATION OF THE WRITTEN LIMITED WARRANTIES CONTAINED HEREIN. EXCEPT AS PROVIDED HEREIN, RadioShack SHALL HAVE NO LIABILITY OR RESPONSIBILITY TO CUSTOMER OR ANY OTHER PERSON OR ENTITY WITH RESPECT TO ANY LIABILITY, LOSS OR DAMAGE CAUSED DIRECTLY OR INDIRECTLY BY USE OR PERFORMANCE OF THE PRODUCT OR ARISING OUT OF ANY BREACH OF THIS WARRANTY, INCLUDING, BUT NOT LIMITED TO, ANY DAMAGES RESULTING FROM INCONVENIENCE, LOSS OF TIME, DATA, PROPERTY, REVENUE, OR PROFIT OR ANY INDIRECT, SPECIAL, INCIDENTAL, OR CONSEQUENTIAL DAMAGES, EVEN IF RadioShack HAS BEEN ADVISED OF THE POSSIBILITY OF SUCH DAMAGES.

Some states do not allow limitations on how long an implied warranty lasts or the exclusion or limitation of incidental or consequential damages, so the above limitations or exclusions may not apply to you.

In the event of a product defect during the warranty period, take the product and the RadioShack sales receipt as proof of purchase date to any RadioShack store. RadioShack will, at its option, unless otherwise provided by law: (a) correct the defect by product repair without charge for parts and labor; (b) replace the product with one of the same or similar design; or (c) refund the purchase price. All replaced parts and products, and products on which a refund is made, become the property of RadioShack. New or reconditioned parts and products may be used in the performance of warranty service. Repaired or replaced parts and products are warranted for the remainder of the original warranty period. You will be charged for repair or replacement of the product made after the expiration of the warranty period.

This warranty does not cover: (a) damage or failure caused by or attributable to acts of God, abuse, accident, misuse, improper or abnormal usage, crash, collision, impact, violent contact, failure to follow instructions, improper installation or maintenance, alteration, lightning or other incidence of excess voltage or current; (b) any repairs other than those provided by a RadioShack Authorized Service Facility; (c) consumables such as fuses or batteries; (d) cosmetic damage; (e) transportation, shipping or insurance costs; or (f) costs of product removal, installation, set-up service adjustment or reinstallation.

This warranty gives you specific legal rights, and you may also have other rights which vary from state to state.

RadioShack Customer Relations, 200 Taylor Street, 6th Floor, Fort Worth, TX 76102

12/99

RadioShack Corporation
Fort Worth, Texas 76102

60-4322
05A02
Printed in China