

RC Spy Mobile

60-4337

OWNER'S MANUAL — Please read before using this equipment.

! IMPORTANT !

If an icon appears at the end of a paragraph, go to the box on that page with the corresponding icon for pertinent information.

- ⚠ — Warning
- ! — Important
- ⚡ — Caution
- 💡 — Hint
- 📄 — Note

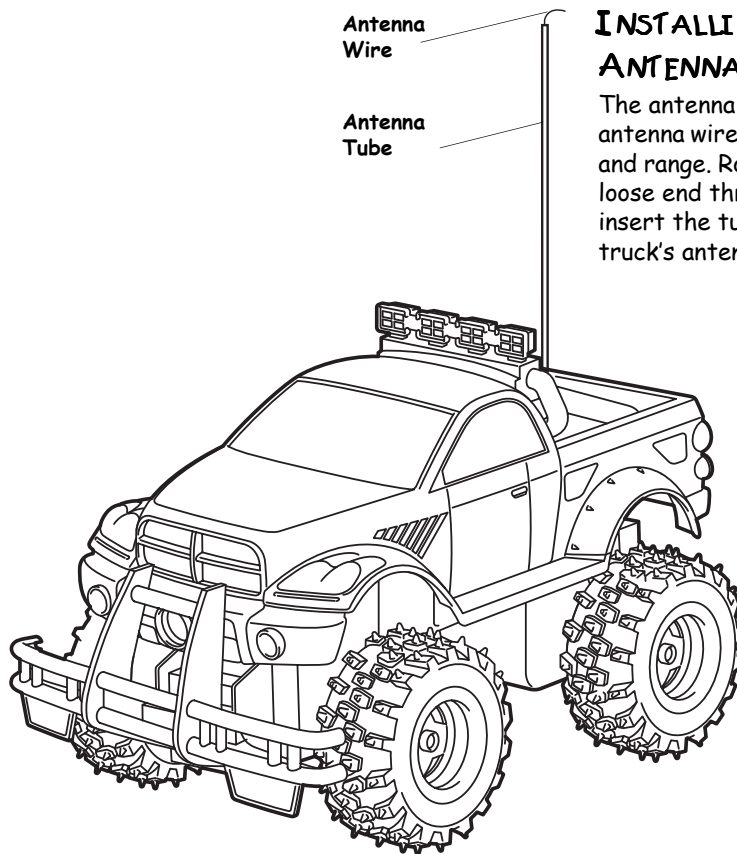
Thank you for purchasing RadioShack's Spy Mobile. This unique radio-controlled truck carries a video camera that sends pictures to the transmitter's 2.2 inch LCD color monitor. The truck even has headlights just like a real truck! Your Spy Mobile comes in two frequencies (27MHz and 49MHz) so you can race with your friends. Check the box to see which frequency you have.

The Spy Mobile is recommended for ages 8 and up.

PREPARATION

INSTALLING THE TRUCK'S ANTENNA TUBE

The antenna tube holds up the antenna wire for the best reception and range. Route the antenna wire's loose end through the tube. Then insert the tube securely into the truck's antenna tube holder.



RadioShack[®]

www.radioshack.comSM

© 2002 RadioShack Corporation.

All Rights Reserved.

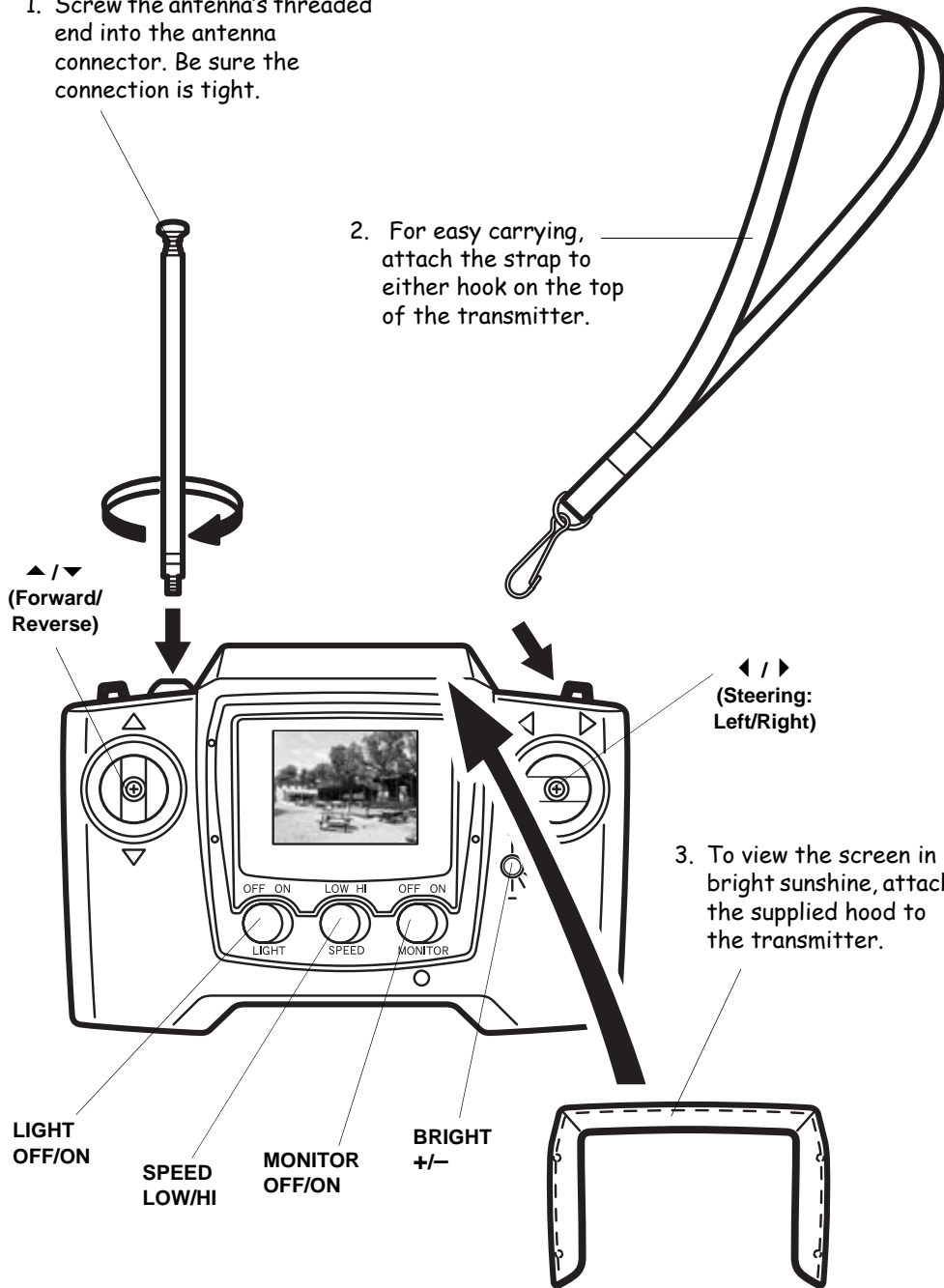
RadioShack and RadioShack.com are trademarks used by RadioShack Corporation.

ATTACHING THE TRANSMITTER'S ANTENNA, STRAP, AND HOOD

1. Screw the antenna's threaded end into the antenna connector. Be sure the connection is tight.

2. For easy carrying, attach the strap to either hook on the top of the transmitter.

3. To view the screen in bright sunshine, attach the supplied hood to the transmitter.

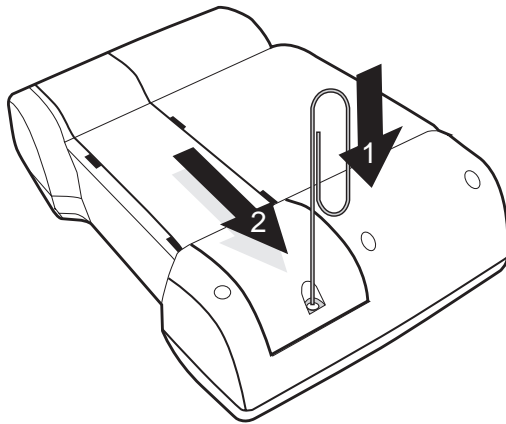


INSTALLING BATTERIES

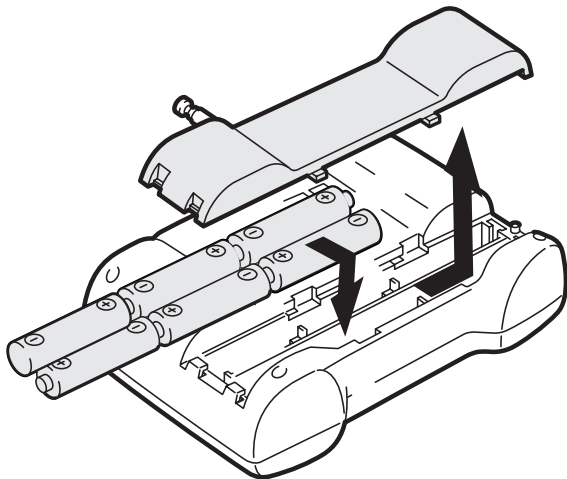
Your truck and transmitter each use 6 AA batteries (not supplied). For the best performance and longest life, we recommend RadioShack alkaline batteries.

IN THE TRANSMITTER

1. Be sure **MONITOR** and **LIGHT** are set to **OFF**.
2. Using a pointed object such as straightened paperclip, press and hold the button on the right side of the battery compartment cover.



3. Slide the cover to the right and lift it off.



4. Insert 6 AA batteries into the compartment as indicated by the polarity symbols (+ and -) marked inside.

CAUTION

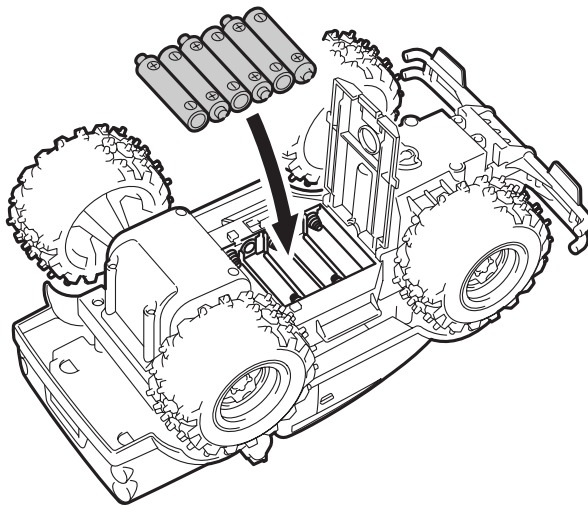
- Use only fresh batteries of the required size and recommended type.
- Do not mix old and new batteries, different types of batteries (standard, alkaline, or rechargeable), or rechargeable batteries of different capacities.
- If you do not plan to use the truck for several days, remove the batteries from the transmitter and the truck. Batteries can leak chemicals that can destroy electronic parts.
- Never leave dead or weak batteries in the transmitter or the truck.
- Dispose of batteries promptly and properly; do not burn or bury them.

5. Align the tabs on the cover with the slots on the transmitter then slide the cover to the left to lock it.

When the transmitter's range decreases or the monitor's picture becomes unstable, replace the batteries.

IN THE TRUCK

1. Set ON/OFF to OFF.
2. Slide the battery compartment cover toward the front of the truck, and lift it open.
3. Insert 6 AA batteries into the compartment as indicated by the polarity symbols (+ and -) marked inside.



4. Replace the cover and slide it toward the back of the truck to secure it.

If the truck loses power or does not respond to the transmitter, or the monitor's picture becomes blurred, replace the batteries.

⚠ WARNING ⚠
Never play with your Spy Mobile
in the street.

DRIVING THE TRUCK

1. Fully extend the transmitter's antenna. For maximum range, hold the transmitter with the antenna pointing straight up. ⚠

2. Set **SPEED** on the transmitter to **LOW** or **HI**.
3. Slide **ON/OFF** on the truck to **ON**.
4. Set **MONITOR** to **ON** to view the picture.
5. If necessary, set **LIGHT** to **ON** to turn on the truck's headlights.
6. Use the left (speed) and right (steering) levers to drive the truck.
7. If the monitor screen is too bright or too dark, adjust the brightness control on the transmitter.
8. When you finish playing with the truck, slide **ON/OFF** on the truck to **OFF** and **MONITOR** and **LIGHT** on the transmitter to **OFF**.

ADJUSTING WHEEL ALIGNMENT

If the truck does not drive in a straight line when you release the right control lever, adjust the wheel alignment control (between the front wheels, underneath the car).

Turn the lever toward L (left) if the car is pulling to the right, or toward R (right) if the car is pulling to the left.

THE FCC WANTS YOU TO KNOW

Your truck or transmitter might cause TV or radio interference even when it is operating properly. To determine whether your truck or transmitter is causing the interference, turn off your truck and set **MONITOR** and **LIGHT** on the transmitter to **OFF**. If the interference goes away, your truck or transmitter is causing it. Try to eliminate the interference by:

- Moving your truck and transmitter away from the TV or radio.
- Contacting your local RadioShack store for help.

If you cannot eliminate the interference, the FCC requires that you stop using your truck and transmitter.

Changes or modifications to this product not expressly approved by RadioShack, or operation of this product in any way other than as detailed by the Owner's Manual, could void your authority to operate the product.

NOTE

- **SPEED** adjusts the speed of the vehicle, it does not adjust the vehicle to a higher or lower gear.
- The transmitter does not have a power switch. When you press a control lever, the truck responds.

CAUTION

If the truck gets stuck under an object, immediately release the transmitter's control levers and retrieve the car.

HINT

- Running your car for long periods generates high heat levels. Heat causes wear and tear on the motor. To help keep heat levels down, when your truck's batteries run down, let the car cool at least 10 minutes before installing fresh batteries.
- If someone uses a CB nearby, it might interfere with control of the truck. If this happens, move the car and transmitter away from the CB.
- You cannot operate your truck near devices with transmitters that use the same frequency as the truck (either 27 MHz or 49 MHz).
- If the truck moves slowly, and you just replaced the batteries, check the wheel mechanisms for lint, thread, hair or dust.

CARE

Keep the truck dry; if it gets wet, wipe it dry immediately. Use and store the truck only in normal temperature environments. Handle the truck carefully; do not drop it. Keep the truck away from dust and dirt, and wipe it with a damp cloth occasionally to keep it looking new.

SERVICE AND REPAIR

If your truck is not performing as it should, take it to your local RadioShack store for assistance. Modifying or tampering with the truck's internal components can cause a malfunction and might invalidate its warranty and void your FCC authorization to operate it.

Limited Ninety-Day Warranty

This product is warranted by RadioShack against manufacturing defects in material and workmanship under normal use for ninety (90) days from the date of purchase from RadioShack company- owned stores and authorized RadioShack franchisees and dealers. EXCEPT AS PROVIDED HEREIN, RadioShack MAKES NO EXPRESS WARRANTIES AND ANY IMPLIED WARRANTIES, INCLUDING THOSE OF MERCHANTABILITY AND FITNESS FOR A PARTICULAR PURPOSE, ARE LIMITED IN DURATION TO THE DURATION OF THE WRITTEN LIMITED WARRANTIES CONTAINED HEREIN. EXCEPT AS PROVIDED HEREIN, RadioShack SHALL HAVE NO LIABILITY OR RESPONSIBILITY TO CUSTOMER OR ANY OTHER PERSON OR ENTITY WITH RESPECT TO ANY LIABILITY, LOSS OR DAMAGE CAUSED DIRECTLY OR INDIRECTLY BY USE OR PERFORMANCE OF THE PRODUCT OR ARISING OUT OF ANY BREACH OF THIS WARRANTY, INCLUDING, BUT NOT LIMITED TO, ANY DAMAGES RESULTING FROM INCONVENIENCE, LOSS OF TIME, DATA, PROPERTY, REVENUE, OR PROFIT OR ANY INDIRECT, SPECIAL, INCIDENTAL, OR CONSEQUENTIAL DAMAGES, EVEN IF RadioShack HAS BEEN ADVISED OF THE POSSIBILITY OF SUCH DAMAGES.

Some states do not allow limitations on how long an implied warranty lasts or the exclusion or limitation of incidental or consequential damages, so the above limitations or exclusions may not apply to you.

In the event of a product defect during the warranty period, take the product and the RadioShack sales receipt as proof of purchase date to any RadioShack store. RadioShack will, at its option, unless otherwise provided by law: (a) correct the defect by product repair without charge for parts and labor; (b) replace the product with one of the same or similar design; or (c) refund the purchase price. All replaced parts and products, and products on which a refund is made, become the property of RadioShack. New or reconditioned parts and products may be used in the performance of warranty service. Repaired or replaced parts and products are warranted for the remainder of the original warranty period. You will be charged for repair or replacement of the product made after the expiration of the warranty period.

This warranty does not cover: (a) damage or failure caused by or attributable to acts of God, abuse, accident, misuse, improper or abnormal usage, crash, collision, impact, violent contact, failure to follow instructions, improper installation or maintenance, alteration, lightning or other incidence of excess voltage or current; (b) any repairs other than those provided by a RadioShack Authorized Service Facility; (c) consumables such as fuses or batteries; (d) cosmetic damage; (e) transportation, shipping or insurance costs; or (f) costs of product removal, installation, set-up service adjustment or reinstallation.

This warranty gives you specific legal rights, and you may also have other rights which vary from state to state.

RadioShack Customer Relations, 200 Taylor Street, 6th Floor, Fort Worth, TX 76102

12/99

RadioShack Corporation
Fort Worth, Texas 76102

60-4337
06A02
Printed in China