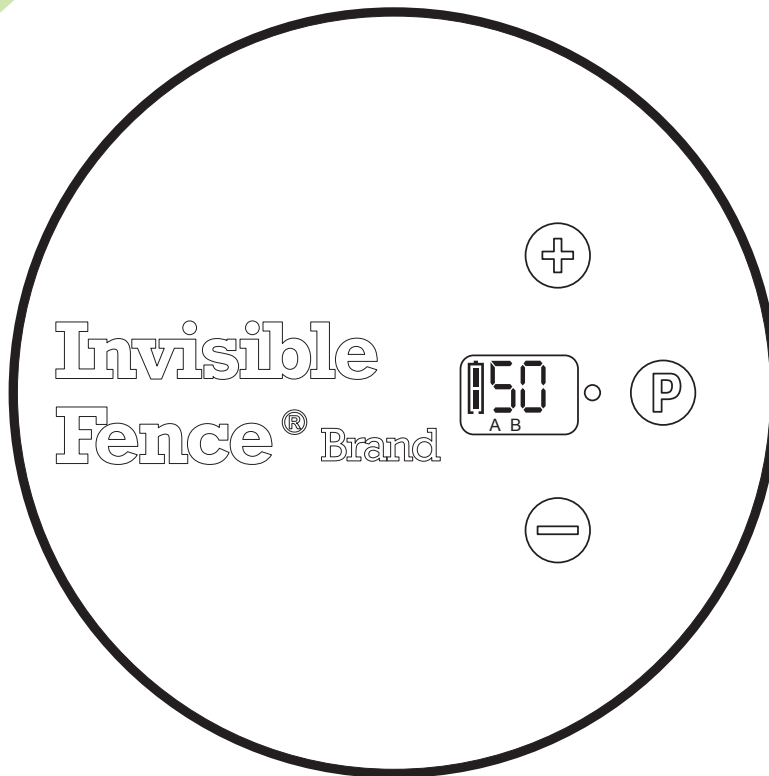




**Invisible
Fence**® Brand

Shields®

Avoidance Solutions



Indoor Shields® Plus

Owner's Manual

Please read this entire guide before operating.

www.InvisibleFence.com

Important Precautions

- Invisible Fence® Brand pet containment systems have contained over two million pets. However, there are some precautions you should take.
- Read and retain manuals: Read the entire Owner's Manual before using your new Indoor Shields® Plus solution. If you have any questions after reading this manual, call your Invisible Fence® Brand dealer.
- Adhere to all warnings and cautions contained in any Invisible Fence® Brand manual.

Explanation of Attention Words and Symbols used in this guide



This is the safety alert symbol. It is used to alert you to potential personal injury hazards. Obey all safety messages that follow this symbol to avoid possible injury or death.

⚠ WARNING

WARNING indicates a hazardous situation which, if not avoided, could result in death or serious injury.

⚠ CAUTION

CAUTION used with the safety alert symbol, indicates a hazardous situation which, if not avoided, could result in minor or moderate injury.

NOTICE

NOTICE is used to address safe use practices not related to personal injury.

⚠ WARNING

- Not every pet can be trained to avoid the established boundary. Sometimes even a properly trained pet may cross the boundary. Therefore, Invisible Fence, Inc., as well as Invisible Fence® Brand Distributors and Dealers cannot guarantee the system will, in all cases, keep a customer's pet within the established boundary. Accordingly, if a customer has reason to believe that their pet may pose a danger to others, or harm itself, the customer should not rely solely upon the Invisible Fence® Brand system to keep the pet from crossing the boundary.
- Do not install, connect, or remove your system during a lightning storm. If the storm is close enough for you to hear thunder, it is close enough to create hazardous surges.

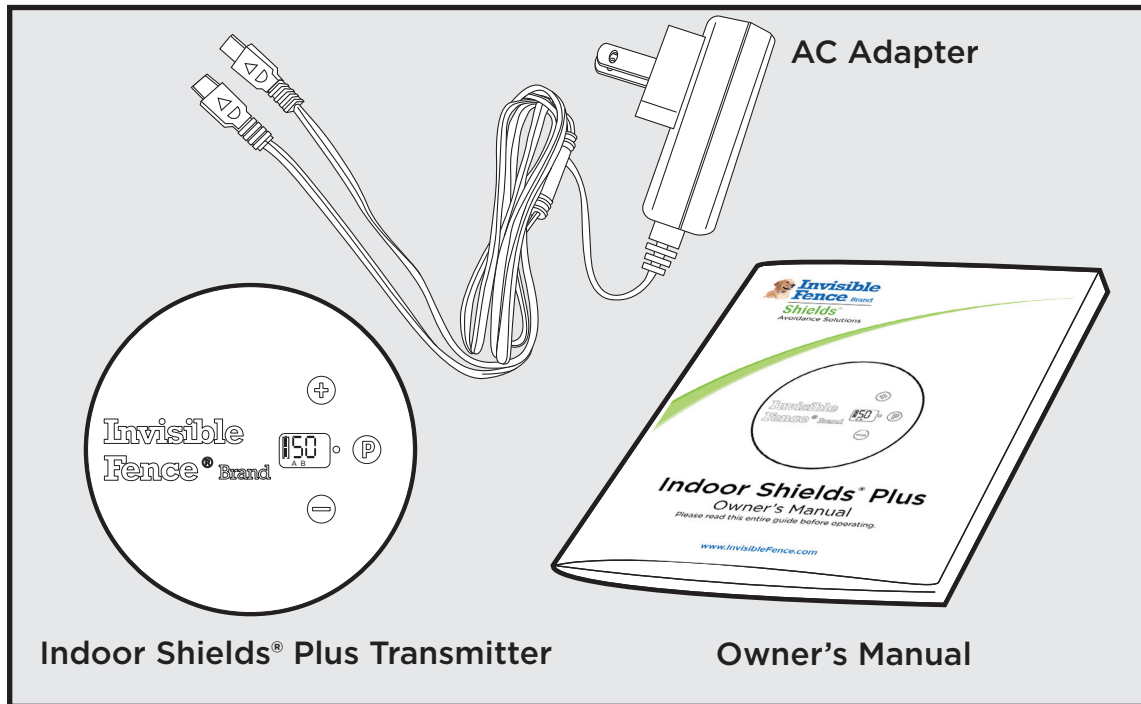
⚠ CAUTION

- Read and follow the important tips on how to avoid pressure necrosis in your Invisible Fence® Brand Computer Collar® unit manual.
- Train your pet according to the instructions in the Invisible Fence® Brand training protocols. Complete all steps before allowing your pet to run free. Do not become overly confident if your pet has become conditioned to the Invisible Fence® Brand pet avoidance system sooner than expected.
- Your Invisible Fence® Brand dealer has professionally installed your pet avoidance system and ensured it is working properly. You will want to perform periodic maintenance checks to make sure the system is properly functioning.
- Check the Invisible Fence® Brand transmitter periodically to make sure it is operating properly. To do this, simply bring the Computer Collar® unit to the edge of the signal field to verify function.
- Do not attempt to service any Invisible Fence® Brand equipment. Refer all service to your authorized Invisible Fence® Brand dealer. Only your authorized Invisible Fence® Brand dealer should make adjustments to your pet avoidance/containment system.
- All Invisible Fence® Brand pet avoidance systems are designed for domesticated animal use only. Never attempt to use this product for any purpose not specifically described in this manual.
- Congratulations on your purchase of the Indoor Shields® Plus solution. Please read and review this entire manual to become familiar with Indoor Shields® Plus solution components and its operation. It is strongly recommended you review this information before using the product.
- The Indoor Shields® Plus solution gives you control over the areas a pet or pets have access to inside your home. It is designed to work independently or to complement your Invisible Fence® Brand 800 Series and/or Boundary Plus® digital electronic pet containment system. The Indoor Shields® Plus transmitter is designed for indoor use only. For information on or about Outdoor Shields® products, please contact your local Invisible Fence® Brand dealer or visit us at www.invisiblefence.com. This device is not designed to operate as a containment transmitter.
- **Important:** To ensure your pet does not receive an unintended correction, make sure your pet is not wearing the Computer Collar® unit when turning ON or adjusting the Indoor Shields® Plus transmitter.

Table of Contents

Important Precautions	2-3
Components.....	5
How the System Works	5
Operating Guide.....	6-10
Charging	6
Turning On and Off.....	6
Adjust Signal Field Range.....	7
Verify Signal Field Range.....	7
Changing the Channel Setting on the Indoor Shields® Plus Transmitter	7
Wired Operation.....	8
Signal Field Wire Preparation.....	8
Connect the Wires to the Indoor Shields® Plus Transmitter	8
Test the Signal Field.....	9
Multi-Area Avoidance	10
Programming the Computer Collar® Unit	10
Troubleshooting.....	11
Battery Disposal.....	12
Perchlorate Battery	12
Important Recycling Advice	12
Compliance.....	13
Notes.....	14

Components



HOW THE SYSTEM WORKS

Indoor Shields® Plus Transmitter

The transmitter is the heart of the system. It produces a signal that communicates with your pet's Computer Collar® unit to keep your pet away from unwanted areas. The signal can be delivered from the transmitter either through a wireless sphere or through up to 150 feet of wire. The lightweight, portable design is easy to use and powered by an internal rechargeable battery pack. You may use the included AC adapter for locations near an electrical outlet. The AC adapter is also used for charging the transmitter.

The Transmitter has Three Control Buttons:

- Two for controlling the signal field range (RANGE UP & RANGE DOWN). These buttons also control power ON and OFF during normal use.
- One for use when programming the Computer Collar® unit to the Indoor Shields® Plus transmitter.

AC Adapter

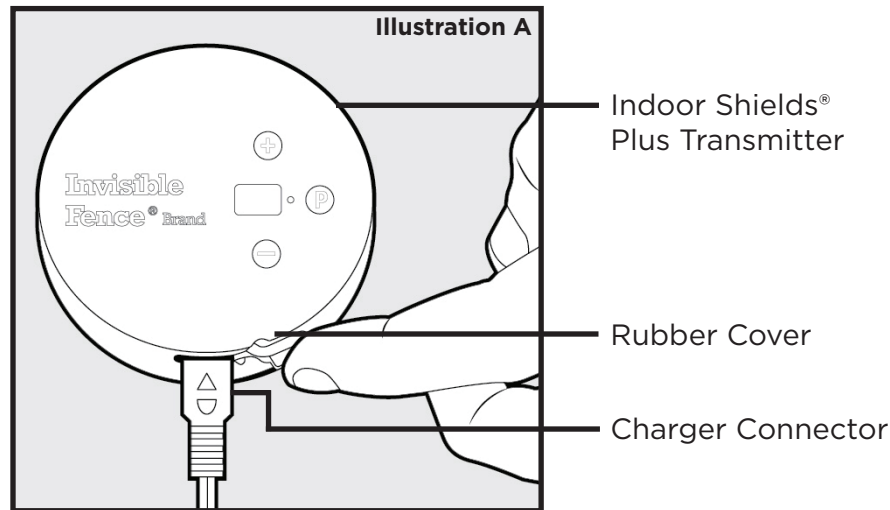
The AC adapter (RAC00-13701) is intended for long-term use or for recharging the Indoor Shields® Plus transmitter. Use the AC adapter to charge the battery pack for a minimum of 4 hours prior to first use.

Operating Guide

Important: To ensure your pet does not receive an unintended correction, make sure your pet is not wearing the Computer Collar® unit when turning ON or adjusting the Indoor Shields® Plus transmitter.

1. Charge the Indoor Shields® Plus Transmitter

- Lift the rubber cover protecting the charging jack located on the Indoor Shields® Plus transmitter. Connect the charger connector to the charging jack with the keyed side facing down.



- Plug the AC adaptor (RAC00-13701) into a standard 120 volt wall outlet
- Allow the unit to charge a full 4 hours before initial use and after prolonged storage. A charge time of 2 hours is required after the initial charge for normal charging.
 - Charge indicator light will be yellow while charging
 - Charge indicator light will turn off once charge is complete
- When charging is complete remove the charger connector and replace the rubber cover.
- Battery life of approximately 30 days can be expected from a fully charged battery.
- The Indoor Shields® Plus transmitter will give an audible chirp once every 30 seconds when the battery is low.

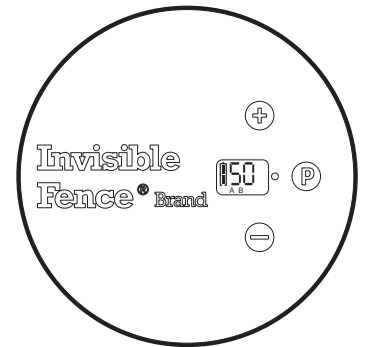
2. Turning On and Off

- Turn on by pressing RANGE UP (+) button.
- Turn off by pressing RANGE DOWN (-) button until LCD no longer displays signal field range.

WIRELESS OPTION

1. Adjust Signal Field Range

- Determine the desired location and the signal field range required
 - Wireless: 1.5 ft. minimum radius up to 6 ft. maximum radius
- With the unit ON, press the RANGE UP (+) or the RANGE DOWN (-) buttons to increase or decrease the signal field range. The first indicator equals 1 ft. radius of signal field. Each additional segment represents approximately 6 inches radius of range.



2. Verify Signal Field Range

- Turn the Indoor Shields® Plus transmitter ON.
- Holding the Computer Collar® unit at the height of your pet's neck, start outside the range and move slowly towards the Indoor Shields® Plus transmitter. Do not touch the correction posts at this time.
- The Computer Collar® unit will beep as it approaches the outer range of the signal field width set in Step 2. The beeping will be accompanied by a correction.
- If the Computer Collar® unit fails to beep, see the troubleshooting chart found on page 14.
- Adjust range and/or relocate the Indoor Shields® Plus transmitter until desired area is protected.

3. Changing the Channel Setting on the Indoor Shields® Plus Transmitter

1. Press and release the RANGE DOWN (-) button until no bars appear on the LCD.
2. Turn the unit over and remove the bottom lid by rotating counter-clockwise until in the unlocked position (Figure 1).
3. Locate the switch for the Channel (A), Channel (B) and Channels (A+B). (Figure 2)
4. Select the desired channel setting. Note: The Indoor Shields® Plus transmitter will not enter into programming mode if this switch is set to A+B. See Programming Computer Collar® unit on page 10.
5. Replace the bottom lid making sure that it is aligned in the unlocked position and turn clockwise until it is in the locked position.

Figure 1:

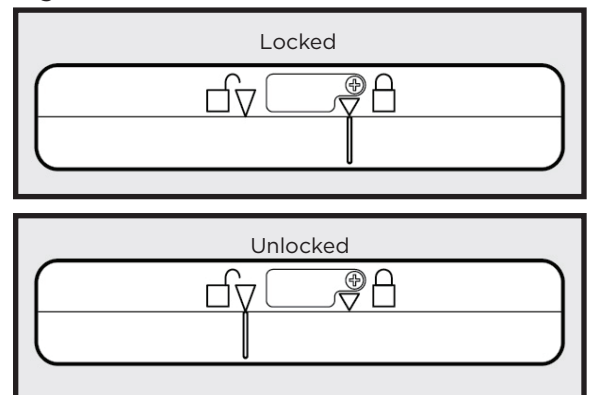
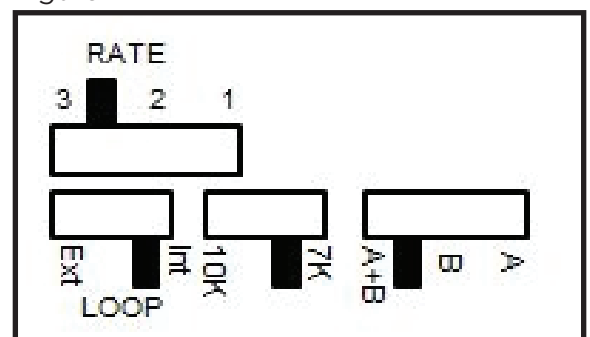


Figure 2:



Note: Ensure the O-ring is in the top housing and seated in the channel before replacing the bottom lid. Failure to do so may allow moisture leakage and possible failure of the device.

WIRED OPTION

You can create a signal field using up to 150 feet of boundary wire (14 - 20 gauge). The recommended wire can be purchased from your local Invisible Fence® Brand dealer. Visit www.invisiblefence.com to find an authorized dealer in your area.

1. Signal Field Wire Preparation

- When using the wire option it will be required to start at a minimum range setting of 2 segments. A setting below 2 segments will not produce a signal field great enough to be received by the Computer Collar® unit.
- The range will vary depending on the length of wire and shape of the layout.
- The wire must make a complete loop starting and ending at the Indoor Shields® Plus transmitter.
- It is important to test the system and make adjustments to your layout prior to training your pet.

2. Connect the Wires to the Indoor Shields® Plus Transmitter

- Open the case by turning the unit over and removing the bottom lid by rotating counter-clockwise until in the unlocked position.

- Locate the switch inside the battery compartment labeled “INT/EXT”. This switch allows the Indoor Shields® Plus transmitter to operate as a wireless (INT) or wired (EXT) unit. Move the switch to the EXT position.

- Replace the bottom lid making sure that it is aligned in the unlocked position and turn clockwise until it is in the locked position.

- Locate the wire connectors on the bottom of the Indoor Shields® Plus transmitter.

- Strip ½ inch of insulation from each end of the boundary wire. Bend the end of the wire to form a 90 degree angle. (Figure 3)

- Loosen the 2 Phillips head wire connection screws adjacent to the battery compartment and insert the boundary wire. Once in place, tighten each screw. Make sure the bare wires do not touch. (Figure 4)

- Position the Indoor Shields® Plus transmitter and wire in the desired location.

- Before securing wire, test and verify signal field.

Figure 3:

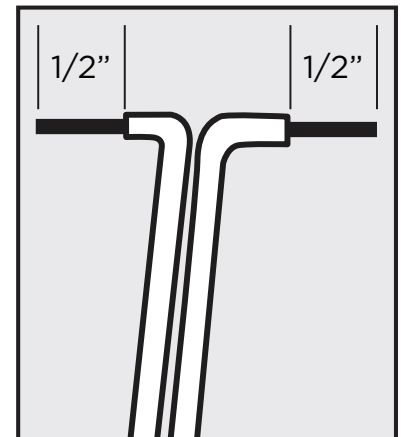
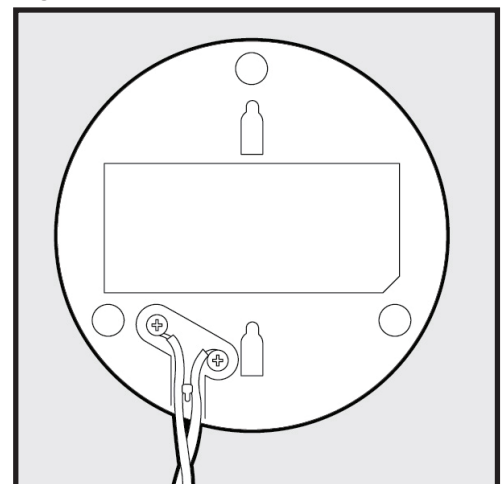


Figure 4:



3. Test the Signal Field

- Start with the range set to minimum of 2 segments and adjust the range up to 6 segments to get your desired coverage. There is a 1 ft. minimum radius and up to a 5 ft. maximum radius.
- Holding the Computer Collar® unit at the approximate height of your pet's neck, start outside the signal field and walk slowly towards the boundary wire. **Do not touch the correction posts at this time.**
- The Computer Collar® unit will beep as it approaches the outer range of the signal field. The beeping will be accompanied by a correction.
- If the Computer Collar® unit fails to beep, see the Troubleshooting chart found on page 14.
- Adjust the signal field range and boundary wire position until the desired area is covered.

4. Install the Boundary Wire

- The avoidance wire may be installed under furniture, cabinets, islands, rugs, carpets, or underneath the floor (if you have access via crawlspace or basement).

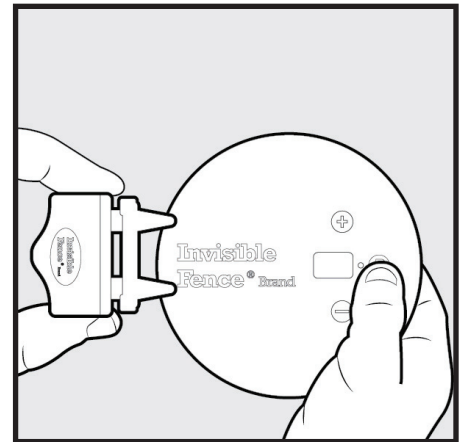
Multi-Area Avoidance

Your Indoor Shields® Plus Transmitter and the Computer Collar® unit are preset to operate on Channel A (CH.A). For homes with two or more pets, this setting is usually sufficient as long as all pets are required to avoid the same protected areas like keeping all pets away from the trash, off the counter tops, off the sofa, etc. In some multi-pet homes, it may be desired to allow one pet access to an area while denying the same access to another pet.

- When set to Channel A (CH.A), the Indoor Shields® Plus transmitter denies access to pets wearing a Computer Collar® unit programmed to Channel A. (Channel A is the default setting for the Computer Collar® unit.)
- When set to Channel B (CH.B), the Indoor Shields® Plus transmitter denies access to pets wearing a Computer Collar® unit programmed to Channel B.
- When set to Channel A-B (CH. A and CH.B), the Indoor Shields® Plus transmitter denies access to all pets wearing a Computer Collar® unit.

Programming the Computer Collar® Unit

1. Prior to programming ensure all Computer Collar® units are removed from pets and are at least 3 feet from the Indoor Shields® Plus transmitter.
2. Follow procedure on page 7, **Changing the Channel Setting on the Indoor Shields® Plus Transmitter**, to select Channel A or Channel B for programming into the Computer Collar® unit. Once complete turn the unit back over and set it down on a flat surface. Note: The Indoor Shields® Plus transmitter will not enter into programming mode if this switch is set to A+B.
3. Press and hold the PROGRAM button while lowering the Computer Collar® unit from directly above the Indoor Shields® Plus transmitter.
4. Stop lowering when the Computer Collar® unit begins to flicker yellow and release the PROGRAM button on the transmitter when the Computer Collar® unit begins to flash green.
5. The Computer Collar® unit is now programmed to the desired channel.
6. Verify operation by turning ON the Indoor Shields® Plus transmitter and moving the Computer Collar® unit into the signal field. You will hear the Computer Collar® beep when it activates.



Note: Make sure any Computer Collar® units you do not wish to program are more than 3 feet from the Indoor Shields® Plus transmitter or have the Power Cap® Battery removed. Do not perform this procedure while the Computer Collar® unit is on a pet.

Troubleshooting

<p>Indoor Shields® Plus Transmitter does not appear to work</p>	<ul style="list-style-type: none"> • Check for low battery (audible chirp once every 30 seconds and flashing LCD). If low battery is indicated, plug the AC adapter into the unit and charge for 2 hours. • Check/replace the Power Cap® Battery in the Computer Collar® unit. • The Indoor Shields® Plus transmitter power could be completely drained. Apply power to the Indoor Shields® Plus transmitter using the AC adapter to verify operation. • If using AC adapter for power, check connections. • Check the Computer Collar® unit fit to ensure posts have direct skin contact. • Ensure the Computer Collar® unit is programmed properly to the Indoor Shields® Plus transmitter.
<p>LCD is black</p>	<ul style="list-style-type: none"> • Operating the Indoor Shields® Plus transmitter in direct sunlight may cause the LCD to overheat and turn completely black. The LCD will return to normal when the temperature drops below 150°F/65°C. Operating the transmitter when the LCD is black will not damage the device.
<p>Range is too low or too high</p>	<ul style="list-style-type: none"> • Check for low battery (audible chirp once every 30 seconds and flashing LCD). If low battery is indicated, plug the AC adapter into the unit and charge for 2 hours. • Adjust the Indoor Shields® Plus transmitter to increase/decrease signal field range. See Step 1 on page 7 (Adjust Signal Field Range). • Metal objects may distort the transmitter's range. Consider alternate location for the Indoor Shields® Plus transmitter.
<p>Computer Collar® unit does not seem to deter pet</p>	<ul style="list-style-type: none"> • Check/replace the Power Cap® Battery in the Computer Collar® unit. • Check the signal field range on the Indoor Shields® Plus transmitter. • Ensure the training posts are removed from the Computer Collar® unit after training.
<p>Computer Collar® unit fails to sound warning beep</p>	<ul style="list-style-type: none"> • Check/replace the Power Cap® Battery in the Computer Collar® unit. • Ensure the Computer Collar® unit is set to same Indoor Shields® Plus transmitter CHANNEL setting. See Multi-Area Shielding Section on page 10.

Need additional help? Contact your local Invisible Fence® Brand dealer. Call **1-800-578-3647** or visit **www.InvisibleFence.com** to find your local dealer.

Battery Disposal

Separate collection of spent batteries is required in many regions; check the regulations in your area before discarding spent batteries. The Computer Collar® unit operates on one (1) Lithium (Li-MnO₂) battery with a 3 Volt, 160 mAh capacity, replace only with equivalent battery that may be obtained from your Invisible Fence® Brand dealer. The transmitter operates on 1 rechargeable Lithium Ion Polymer (Li-ion) battery pack with a 3.7 Volt, 420 mAh capacity.

Perchlorate Battery

Perchlorate Material - special handling may apply. See www.dtsc.ca.gov/hazardouswaste/perchlorate.

Important Recycling Advice

Please respect the Waste Electrical and Electronic Equipment regulations in your country. This equipment must be recycled. If you no longer require this equipment, do not place it in the normal municipal waste system. Please return it to where it was purchased in order that it can be placed in our recycling system. If this is not possible, please contact your Invisible Fence® Brand dealer.

Compliance

US and Canada

FCC ID: KE3-3002769

This device complies with Industry Canada rules. This device complies with part 15 of the FCC Rules. Operation is subject to the following two conditions: (1) This device may not cause harmful interference, and (2) this device must accept any interference received, including interference that may cause undesired operation.

Le présent appareil est conforme aux CNR d'Industrie Canada applicables aux appareils radio exempts de licence. Cet appareil est conforme à la partie 15 des règles FCC. L'exploitation est autorisée aux deux conditions suivantes : (1) l'appareil ne doit pas produire de brouillage, et (2) l'utilisateur de l'appareil doit accepter tout brouillage radioélectrique subi, même si le brouillage est susceptible d'en compromettre le fonctionnement.

⚠ CAUTION Modification or changes to this equipment not expressly approved by Radio Systems® Corporation may void the user's authority to operate the equipment.

NOTE: This equipment has been tested and found to comply with the limits for a Class B digital device, pursuant to part 15 of the FCC Rules. These limits are designed to provide reasonable protection against harmful interference in a residential installation. This equipment generates, uses, and can radiate radio frequency energy and, if not installed and used in accordance with the instructions, may cause harmful interference to radio communications. However, there is no guarantee that interference will not occur in a specific installation. If interference does occur to radio or television reception, which can be determined by turning the equipment off and on, the user is encouraged to try to correct the interference by one or more of the following measures:

- Reorient or relocate the receiving antenna.
- Increase the separation between the equipment and the Computer Collar® unit.
- Connect the equipment to an outlet on a circuit different from that to which the Computer Collar® unit is connected.
- Consult the dealer, or an experienced radio/TV technician for help.

This Class B digital apparatus complies with Canadian RSS-310.

Cet appareil numérique de la classe B est conforme à la norme NMB-003 du Canada.

European Union

This equipment has been tested and found to comply with relevant EU Electromagnetic Compatibility,



Low Voltage and R&TTE Directives. Before using this equipment outside the EU countries, check with the relevant local R&TTE authority. Unauthorized changes or modifications to the equipment that are not approved by Radio Systems Corporation are in violation of EU R&TTE regulations, could void the user's authority to operate the equipment, and void the warranty.

This product is in full compliance with the provisions of the R&TTE - Directive 1999/05/EEC.

The Declaration of Conformity can be found at:

<http://www.invisiblefence.com/international/declarations-of-conformity.asp>.

Dealer Name _____

Dealer Phone _____

System Frequency _____

Notes:

800-578-3647 (USA)
(865) 777-5404 (International)
400-1791
©2013 Radio System Corporation
All rights reserved.

Protected by Patents:
U.S.: 7,046,152; 7,068,174; 7,204,204; 8,430,064