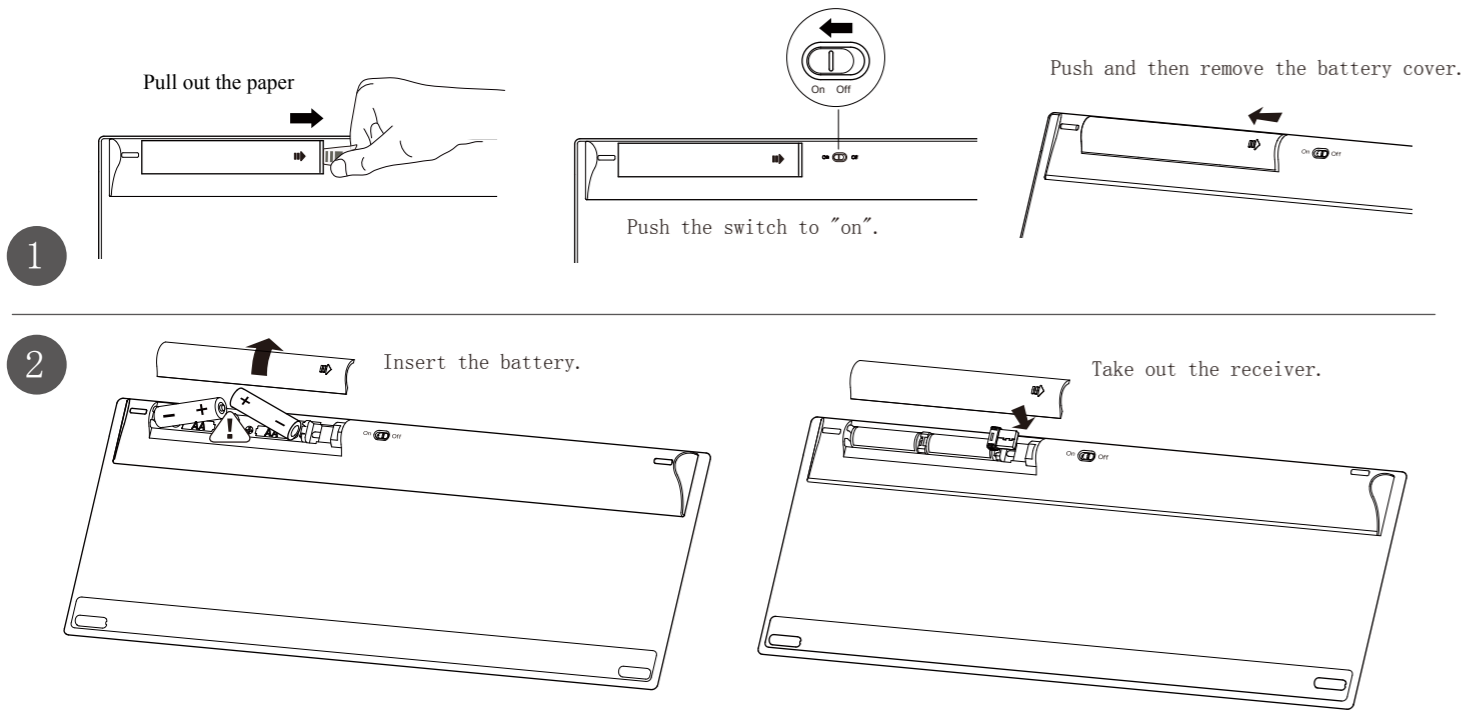


E9270^P

Wireless Ultra-slim Touch Keyboard
Quick Start Guide A.1

The ultimate wireless
rapoo



Troubleshooting

See www.rapoo.com for latest FAQs, drivers and quick start guide. For extensive service, register at www.rapoo.com.

Copyright

It is forbidden to reproduce any part of this quick start guide without the permission of Rapoo Technology Co., Ltd.

Safety instructions

Do not open or repair this device. Do not use the device in a damp environment. Clean the device with a dry cloth.

Warranty

The device is provided with two-year limited hardware warranty from the purchase day. Please see www.rapoo.com for more information.

故障分析

请到www.rapoo.com查阅最新常见问题、下载最新的驱动和快速开始指南。如需延长服务，请到www.rapoo.com注册。

知识产权信息

未经雷柏的许可，禁止复制本快速开始指南的内容。

安全提醒

请不要打开或修理该设备。请不要在潮湿的环境使用该设备。请用干布擦拭该设备。

문제 해결

www.rapoo.com에 가시면 드라이버 및 최근 FAQ, 퀵스타트 가이드를 참조하실 수 있습니다. 더욱 폭넓은 서비스를 받고 싶다면 www.rapoo.com에 가입하시기 바랍니다.

저작권

Rapoo Technology Co., Ltd.의 허가 없이 본 퀵스타트 가이드의 수정 및 배포를 금지합니다.

안전 지침

이 기기를 직접 분해하거나 수리하지 마십시오. 기기를 습한 환경에서 사용하지 마십시오. 기기를 마른 걸레로 닦아주세요.

보증

이 기기는 구매일로부터 2년간의 하드웨어 보증이 제공됩니다. 더욱 자세한 내용은 www.rapoo.com을 참조하십시오.

故障分析

请到www.rapoo.com查阅最新常见问题、下载最新的驱动和快速开始指南。如需延长服务，请到www.rapoo.com注册。

智慧財產權資訊

未經雷柏的許可，禁止複製本快速開始指南的內容。

安全提醒

請不要打開或修理該設備，不要在潮濕的環境使用該設備，用幹布擦拭該設備。

Agent Information			产品中有毒有害物质或元素的名称及含量 根据中国《电子信息产品污染控制管理办法》							FCC & IC Warning	
Country (or area)	Information	Description	重金属								
			有毒有害物质或元素								
			铅 (Pb)	汞 (Hg)	镉 (Cd)	六价铬 (Cr(VI))	多溴联苯 (PBB)	多溴二苯醚 (PBDE)			
Hongkong	Company name: Vim Yield Company Address: 香港九龍宜康樓業街20號怡生工業大廈2字樓全層 Tel#: 852-31522789		○	○	○	○	○	○			
Malaysia	Company name: AV FUTURE LINK SDN BHD Address: NO 23A, JALAN S1/152, TAMAN PERINDUSTRIAN CIGU, PUCHONG, 56200 KUALA LUMPUR, MALAYSIA Tel#: (+0060)37830011		○	○	○	○	○	○			
Viet Nam	Tên công ty: CÔNG TY CỔ PHẦN KỸ THUẬT CÔNG NGHỆ NAM THÀNH Địa chỉ: Số 7, B1/14A, Khu Đô Thị mới Trung Yên, đường Trưng Hòa, Quận Cầu Giấy, Hà Nội, Việt Nam Điện thoại: 0084-4-37834530		○	○	○	○	○	○			
대한민국	회사명: (주)로이비 주소: 서울시 용산구 원효로2가 92-8 라온빌딩 14층 전화번호: 02-701-2181 / 고객센터 02-711-0077		○	○	○	○	○	○			
			○表示该有毒有害物质在该部件所有均质材料中的含量均在SJ/T 11363-2006标准规定的限量要求以下。 注：环保使用期限的参考标准取决于产品正常工作的温度和湿度等条件。								

This device complies with part 15 of the FCC Rules and Industry Canada licence-exempt RSS standard (s). Operation is subject to the following two conditions: (1) This device may not cause harmful interference, and (2) this device must accept any interference received, including interference that may cause undesired operation. Any Changes or modifications not expressly approved by the party responsible for compliance could void the user's authority to operate the equipment.

FCC Radiation Exposure Statement:
This equipment complies with FCC radiation exposure limits set forth for an uncontrolled environment. This transmitter must not be co-located or operating in conjunction with any other antenna or transmitter.

Under Industry Canada regulations, this radio transmitter may only operate using an antenna of a type and maximum (or lesser) gain approved for the transmitter by Industry Canada. To reduce potential radio interference to other users, the antenna type and its gain should be so chosen that, the equivalent isotropically radiated power (e.i.r.p.) is not more than that necessary for successful communication.