

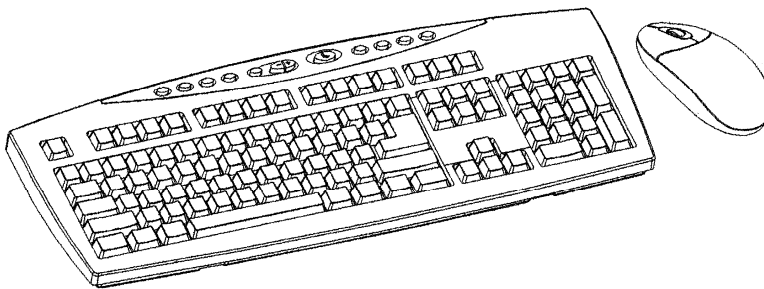
CORDLESS COMBO

Cordless Keyboard & Mouse Combination

USER'S GUIDE



Please keep the keyboard and mouse you are using now connected to your computer before you install Cordless COMBO successfully. You may use them to finish the installation.



MLK Technologies Limited

P/N: EA-0315-0012

Federal Communications Commission(FCC) Notice

This device complies with Part 15 of FCC Rules, operation is subject to the following two conditions: (1)This device may not cause harmful interference, and (2)This device must accept any interference received, including interference that may cause undesired operation.

This equipment has been tested and found to comply with the limits of a Class B digital device, pursuant to Part 15 of the FCC Rules. These limits are designed to provide reasonable protection against harmful interference in a residential installation. This equipment generates, uses and can radiate radio frequency energy and, if not installed and used in accordance with the instructions, may cause harmful interference to radio communications. However, there is no guarantee that interference will not occur in particular installations. If this equipment does cause harmful interference to radio or television reception, which can be determined by turning the equipment off and on, the user is encouraged to try to correct the interference by one or more of the following measures:

1. Reorient/Relocate the receiving antenna.
2. Increase the separation between the equipment and receiver.
3. Connect the equipment into an outlet on a circuit different from that the receiver is connected.
4. Consult the dealer or an experienced radio/TV technician for help.

CAUTION: Change or modifications not expressly approved by the manufacturer responsible for compliance could void the user's authority to operate the equipment.

Disclaimer

The following does not apply to any country where such provision are inconsistent with local law:

MLK Technologies Limited. make no warranties with respect to this documentation, whether expressed or implied. All material is provide "as is". This includes, but is not limited to, any implied warranties of merchantability and fitness for a particular purpose. The information covered in this document is subject to change without notice. MLK Technologies Limited. assumes no responsibility for any errors that may appear in this document.

All brand names mentioned in this manual are trademarks or registered trademarks of their respective companies.

SAFETY AND COMFORT GUIDE



IMPORTANT NOTICE

Whether you spend one hour or more using your keyboard and mouse, the following suggestions will help you to reduce discomfort.

Long hours of usage, incorrect body / setting positions or poor working habits and working conditions, may cause you physical discomfort, nerves injury and muscle pain. If you feel discomfort, pain/weakness, or cramps, you should take a rest or see your panel doctor.

MAKE SURE YOU SET UP AN APPROPRIATE WORKPLACE

You should place the multimedia Keyboard directly in front of you with the hamster Mouse next to it. Place the Hamster Mouse within the operation range to maximize the function.

DO

Adjust the height of your chair and table for the keyboard and mouse either at or below the elbow height.

Use the adjustment mechanism of the keyboard if necessary

Put the materials that you might use frequently close to you

Put the materials that you use infrequently further away, but consider convenience

Place documents that you need while typing close to the monitor, to reduce your head turning and change of eye focus

DON'T

Rest your wrist on sharp edges

Bend your wrist

BE ALERT TO BODY DISCOMFORT

If at any time you feel discomfort while typing or numbness of your hands, wrist, or shoulders / neck or even back pain, you should consult your doctor.

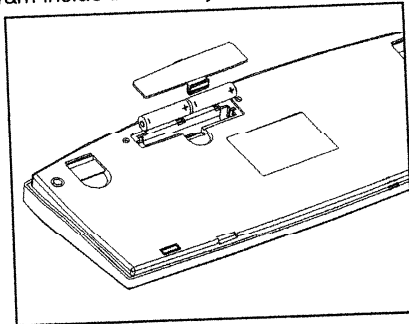
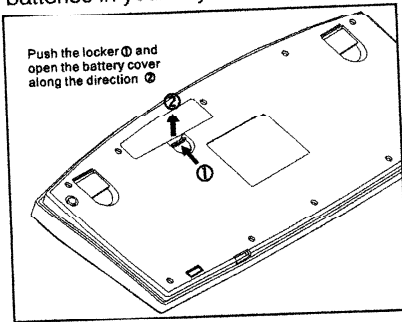
Thanks for choose our product

Your Cordless COMBO use digital radio technology to communicate between keyboard, mouse and your computer. Which do not require "line of sight", you can put the receiver anywhere you want and use the keyboard and the mouse up to 6 feet away from the Receiver. Your cordless keyboard come with internet and multimedia control. And cordless mouse come with a wheel button which simplifies scrolling & zooming. You can also use the wheel as a standard mouse middle key by press down the wheel.

Install the Batteries to the Keyboard and Mouse

1. Install the battery to the keyboard

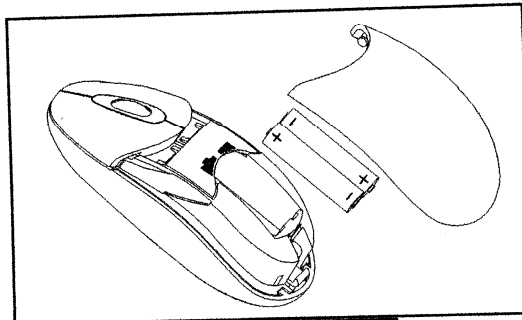
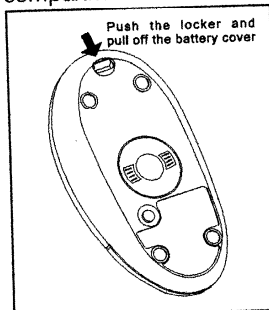
The Cordless Keyboard use two AA size Batteries, the battery compartment is on the underside of the keyboard. Push the locker and pull off the batteries cover. insert the batteries in your keyboard by following the diagram inside the battery compartment.



For normal use, two AA size Alkaline battery can be used up to 9 months.

2. Install the battery to the mouse

The Cordless Mouse use two AAA size Batteries, To install the batteries, you need to pull the locker on the underside of the mouse, and the battery cover will pop off the mouse. insert the batteries in your keyboard by following the diagram inside the battery compartment.



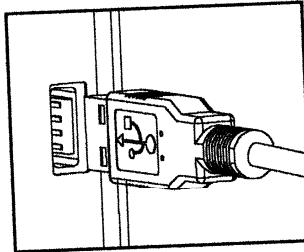
For normal use, two AAA size Alkaline battery can be used up to 6 months.
Alkaline Batteries is recommended for both keyboard and mouse.

Connect the Receiver

You need to locate the USB port in your computer. And then connect the receiver cable to it, insert the software CD to the computer's CDROM drive when ask to do so, then follow the on-screen instructions.

Cordless COMBO support Hot Plug & Play. You DO NOT need to turn off your computer when you connect the receiver.

After you plug in the cable. insert the software CD to the computer's CDROM drive when ask to do so, then follow the on-screen instructions to install the driver.



Establish Radio Communication



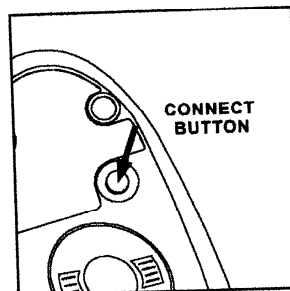
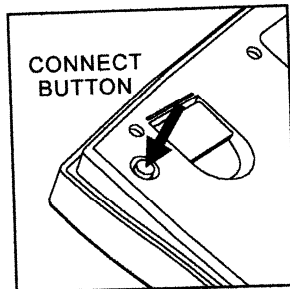
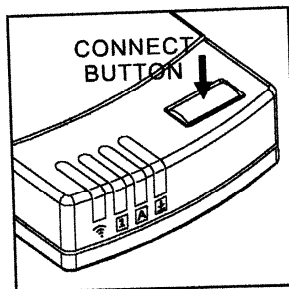
This is NOT a MUST DO step in Installation. Only do it if your keyboard or mouse fail to work after you plug in the Receiver or you get undesired interference from another set of cordless COMBO used nearby.

1. Connecting the Keyboard and the Receiver

If the Keyboard can not operate after installation, you need to establish communication between the keyboard and the Receiver.

STEP1: Press the CONNECT button on the Receiver. The COM LED will light ON.

STEP2: Press the CONNECT button on the underside of the Keyboard. The COM LED will flash and then OFF. This means that the keyboard is connected with the Receiver.



2. Connecting the Mouse and the Receiver

If the Mouse can not operate after installation, you need to establish communication between the Mouse and the Receiver.

STEP1: Press the CONNECT button on the Receiver. The COM LED will light ON.

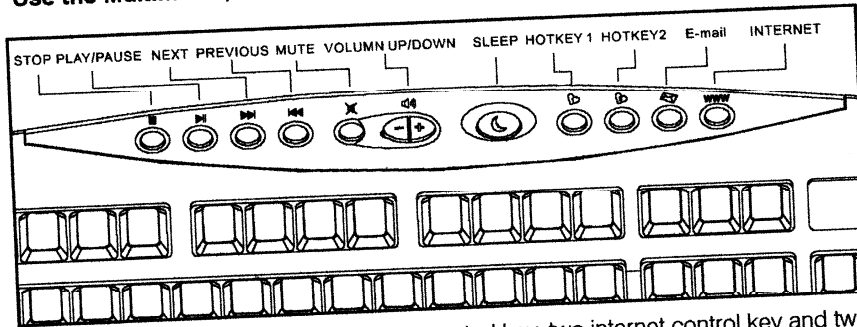
STEP2: Press the CONNECT button on the underside of the Mouse. The COM LED will flash and then OFF. This means that the mouse is connected with the

Receiver.



If you need to connect both the keyboard and the mouse. Connect one of them first, and then connect another one by the same step.

■ Use the Multimedia, Internet & Hotkeys on the Keyboard



You can find 7 multimedia key, 1 power control key, two internet control key and two Programmable hotkeys at your cordless keyboard., which can control you computer Or access application program in one touch.
No driver is needed if you use multimedia keys & internet keys under Windwos ME / Windows 2000.