



PRODIGY™ OWNERS MANUAL



CONTENTS

Advisory.....	4
Acoustics	6
Installation.....	7
Prodigy™ Hand Control Function	12
Troubleshooting	13
Accessories.....	14
1-2-Lifetime Warranty	15



Made in the USA

Copyright © 2009 Leggett & Platt, Inc.

ADVISORY

IMPORTANT INFORMATION

READ THE FOLLOWING INFORMATION CAREFULLY BEFORE USING THIS PRODUCT

This Prodigy™ adjustable bed has been quality engineered with design features to assure comfort and safety when operated properly.

ELECTRICAL GROUNDING

This product is equipped with a polarized or grounded electrical power cord. The power cord will only fit into a grounded, electrical surge protection device (not included) or a grounded electrical outlet.

WARNING

FOR OPTIMUM ADJUSTABLE BED OPERATION, USE A GROUNDED, ELECTRICAL SURGE PROTECTION DEVICE (NOT INCLUDED). FAILURE TO USE A SURGE PROTECTION DEVICE COULD COMPROMISE SAFETY OR CAUSE PRODUCT MALFUNCTION.

WARRANTY WARNING

Do not open any control boxes, motors or hand control devices (with the exception of the hand control and power down box battery compartments). The product warranty will be void if these components are tampered with. Do not attempt to alter component wiring or adjust or modify the structure of the product in any way or the warranty will be void. Any repair or replacement of adjustable bed parts must be performed by authorized personnel.

LUBRICATION

This product is designed to be maintenance free. The lift motors are permanently lubricated and sealed—no additional lubrication is required. Do not apply lubricant to lift motor lead screws or any nylon nuts or the bed may inadvertently creep downward from the elevated position.

PRODUCT RATINGS

The bed lift motors are *not* designed for continuous use. Reliable operation and full life expectancy will be realized as long as the lift motors do not operate any more than five (5) minutes over a thirty (30) minute period, or approximately 15% duty cycle.

Note: massage equipped beds are not designed for continuous, extended massage operation. Massage systems are rated for a maximum of 2 hours of use within any 6 hour period. Any attempt to circumvent or exceed product ratings will shorten the life expectancy of the product and may void the warranty.

The recommended weight restrictions for Prodigy™ adjustable beds are as follows: AC equipped - 600 lb (272 kg) all sizes; DC equipped - 450 lb (204 kg) all sizes. The bed will structurally support the recommended weights distributed evenly across the head and foot sections. This product is not designed to support or lift this amount in the head or foot sections alone. **Note: exceeding the recommended weight restrictions could damage the adjustable bed and void the warranty.**

For best performance, consumers should enter and exit the adjustable bed with the bed in the flat (horizontal) position. **DO NOT SIT ON THE HEAD OR FOOT SECTIONS WHILE IN THE RAISED POSITION.**

UL (Underwriters Laboratories) listed components.
CFR 1633 approved for use with most mattresses.
Made in USA.

ADVISORY

IMPORTANT INFORMATION

READ THE FOLLOWING INFORMATION CAREFULLY BEFORE USING THIS PRODUCT

This Prodigy™ adjustable bed has been quality engineered with design features to assure comfort and safety when operated properly.

SMALL CHILDREN / PETS WARNING

After the bed is unboxed, immediately dispose of packaging material as it can smother small children and pets. To avoid injury, children or pets should not be allowed to play under or on the bed. Children should not operate this bed without adult supervision.

HOSPITAL USE DISCLAIMER

This bed is designed for in-home use only. It is not approved for hospital use and does not comply with hospital standards. Do not use this bed with tent type oxygen therapy equipment, or use near explosive gases.

PACEMAKER WARNING

This product produces a vibrating sensation. It is possible that individuals with heart-assist pacemakers may experience a sensation similar to exercise. Consult physician for complete information.

SERVICE REQUIREMENTS

Service technicians are not responsible for moving furniture, removing headboards and footboards or any items required to perform maintenance on the adjustable bed. In the event the technician is unable to perform service due to lack of accessibility, the service call will be billed to the purchaser and the service will have to be rescheduled.

FCC COMPLIANCE

Electrical components are rated for 110/120 voltage, 60Hz, 3.9 amp. Components meet Class B digital device rating (Part 15, FCC rules) for residential use. Prodigy™ adjustable beds generate, use and may radiate radio frequency energy. Radio communication may be affected if not installed and operated as recommended in this manual. Changes or modifications not expressly approved by the party responsible for compliance could void the user's authority to operate the equipment.

Radio frequency = 2.4GHz.

LOCKING CASTER SAFETY FEATURE

Prodigy™ adjustable beds are equipped with locking casters to prohibit the bed from movement. For best results, place rubber caster cups under locking casters when the bed is located on smooth or hard surface flooring—it is possible for locking caster equipped beds to slide without the use of rubber caster cups.

To activate locking casters, push down on the lock tab. To disengage the locking mechanism, push up on the lock tab (see illustration below).

LOCKING CASTER
DETAIL



ACOUSTICS

LIFTING/LOWERING MECHANISMS

The lift/lower feature will emit a minimal humming sound during operation. This is normal.

During operation, the lift arm wheels make contact with the platform support of the bed. This applies slight tension on the moving components and resonance is reduced to a minimum level. If excessive noise or vibration is experienced, reverse the movement action (up or down) of the bed with the hand control. This should realign the bed's activating mechanisms to the proper operational position.

MASSAGE OPERATION

The massage feature will emit a minimal tone during operation. This is normal. When the massage level is increased, motor resonance will intensify accordingly.

LOCATION ENVIRONMENT

The level of sound experienced during operation is directly related to the location environment. For example, when a bed is located on a hardwood floor with the massage feature in operation, a vibrating tone will be audible. To minimize this resonance, place a piece of carpet—or optional rubber caster cups—under each leg or caster of the bed. *See the Accessories section of this manual for rubber caster cup order information.*

It is possible to experience vibration or noise from the headboard brackets, headboards or footboards if mounting bolts are not firmly tightened.

INSTALLATION

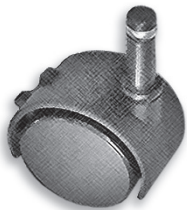
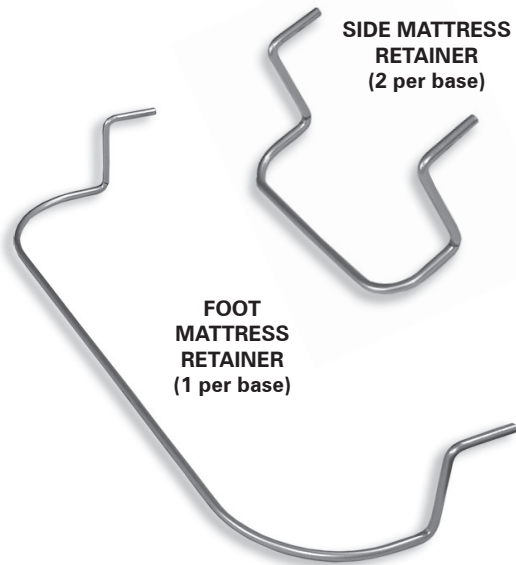
For installation and setup, complete the numbered procedure indicated below and on the following pages:

1. Before discarding any packing materials, check the adjustable bed shipping carton and verify the following items are included:

- (1) Foot Mattress Retainer (*per base*)
- (2) Side Mattress Retainers (*per base*)
- (4) 4 inch Bed Legs*
- (4) 7 inch Bed Legs*
- (4) Locking Leg Casters
- (2) Headboard Bracket Assemblies
- (1) Headboard Bracket Hardware Kit
- (1) Hand Control
- (1) Owners Manual
- (1) Registration Card

*4 inch and 7 inch legs may be used separately or in combination with casters to raise bed base to varying heights off the floor:

- 4 inch leg only = 4 inch bed height
- 4 inch leg w/caster = 6-1/2 inch bed height
- 7 inch leg only = 7 inch bed height
- 7 inch leg w/caster = 9-1/2 inch bed height



LOCKING LEG CASTER
(4 PIECES)



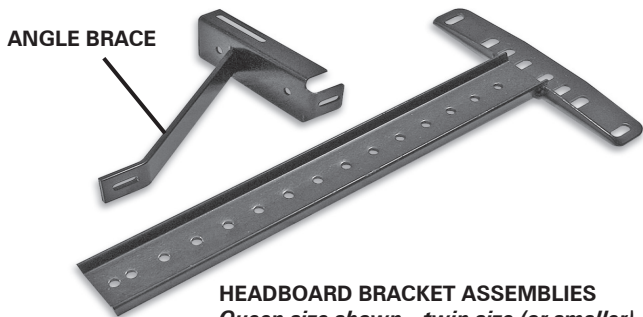
HAND CONTROL



4" LEG
(4 PIECES)



7" LEG
(4 PIECES)



HEADBOARD BRACKET ASSEMBLIES
Queen size shown—twin size (or smaller) headboard brackets are not equipped with angle brace. (4 pieces, 2 assemblies)



HEADBOARD BRACKET HARDWARE KIT
(hardware: 16 pieces)

INSTALLATION

- Carefully lift the bed base frame from the shipping carton, keeping the unit top-side-down.
- Install (4) legs into the base frame. Simply screw each leg into a tapped hole at each corner of the base frame (**FIGURE 1**). Insert casters into the bottom of each bed leg.

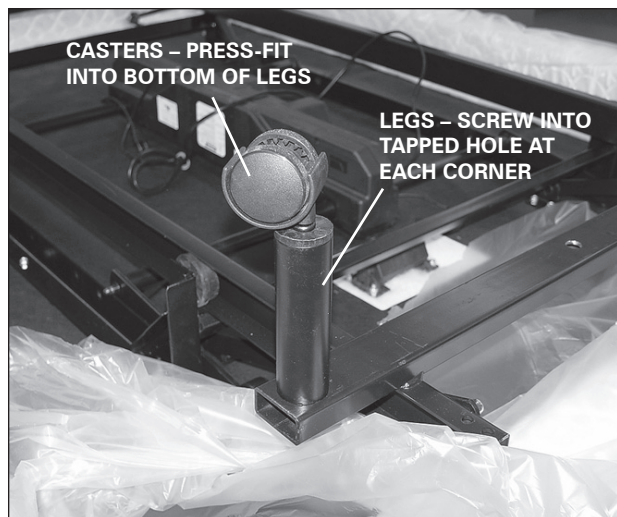


FIGURE 1: Leg and caster installation.

- Remove and extend out power cord from the protective packaging.

⚠ WARNING

POWER CORDS MUST NOT INTERFERE WITH ANY ADJUSTABLE BED MECHANISMS.

- Remove the plastic packaging from the bed base frame. Carefully rotate the base frame over to position the bed top-side-up.
- Plug power cord into a working, grounded electrical outlet. **Note: an electrical surge protection device is recommended (not included).**

- Install batteries in hand control (4-AAA size, included). Briefly activate all functions of the bed with the hand control to verify all features are in working order. If bed does not operate, refer to the *Troubleshooting* section of this manual.
- Return bed to the level position.

Mattress Retainer

- Install standard mattress retainer at the foot end of the bed base as follows:
 - Locate grommets holes at foot and sides of bed base (**FIGURE 2**).



FIGURE 2: Grommets hole locations.

INSTALLATION

b. Place mattress retainer ends into grommets holes in top surface of adjustable bed base (FIGURES 3 and 4). **Note:** king size will use only (2) side retainers around outside perimeter.

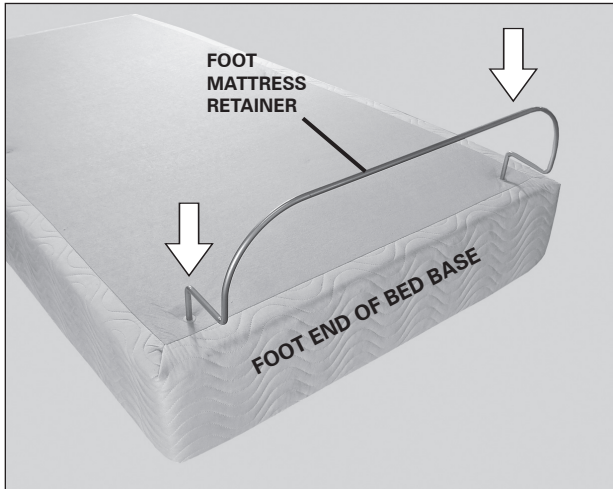


FIGURE 3: Foot mattress retainer installation. Side retainer installs in same manner.



FIGURE 4: Mattress retainers installed.

Note: if adjustable bed is to be set up without a headboard, basic installation is now complete. If headboard is to be installed, proceed to Headboard Bracket Installation.

10. Install headboard brackets to the bed base frame. When attaching (2) twin size units to a king size headboard an optional swing hinge kit (see accessory section) may be used to connect the twin units.

NOTE

FAILURE TO FOLLOW HEADBOARD BRACKET INSTALLATION INSTRUCTIONS MAY CAUSE HEADBOARD BRACKET INTERFERENCE WITH BASE FOAM DURING ADJUSTABLE BED OPERATION. BASE FOAM OR BASE COVER DAMAGE COULD RESULT.

Note: it is important to position the bottom of the headboard cross member a maximum distance of 3 inches (76.2mm) between the headboard and the top of the mattress (FIGURE 5). Do not exceed 3 inches (76.2mm).

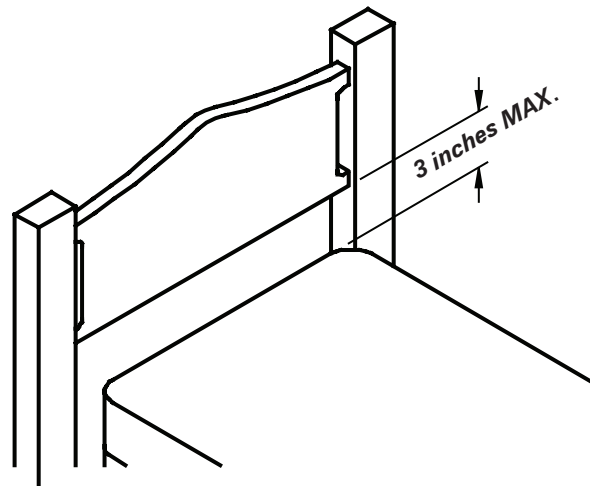


FIGURE 5: headboard cross member location must not exceed 3 inches (76.2mm) from the top of the mattress.

INSTALLATION

11. Install headboard brackets to the bed base frame per the following instructions:

- a. Raise the head section of the bed (with hand control) to gain access to the bed base frame.
- b. Slide one headboard bracket channel onto one side of the bed base frame. Using (2) carriage bolts/nuts (**FIGURE 6**) attach channel to base frame (**FIGURE 7**). Hand tighten bolts/nuts (loosely) to allow adjustment of the headboard bracket channels. Repeat procedure to install the other headboard bracket channel to the other side.

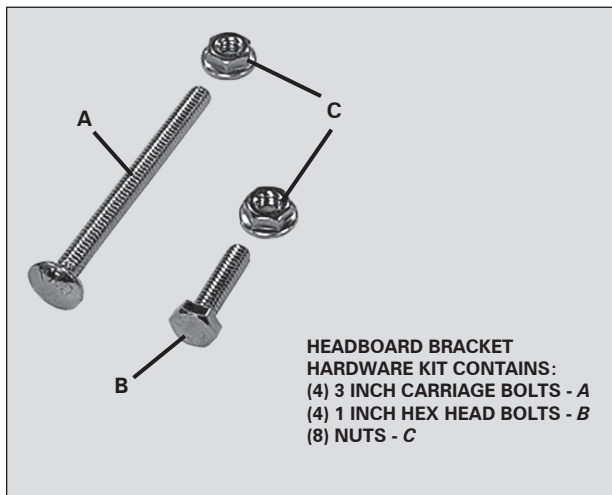


FIGURE 6: Headboard bracket hardware.



NOTE

QUEEN SIZE HEADBOARD BRACKET ASSEMBLIES ARE SHOWN. TWIN SIZE HEADBOARD BRACKETS (OR SMALLER) ARE NOT EQUIPPED WITH ANGLE BRACE (**FIGURES 7 AND 8**).

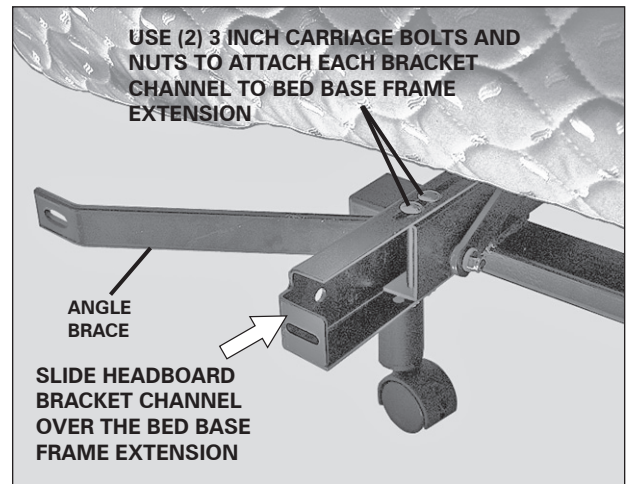


FIGURE 7: Headboard bracket channel installation (*one each side of the head section of the bed*).

- c. Attach one headboard bracket flange to one of the bracket channels with (2) hex head bolts/nuts (**FIGURE 8**). Tighten bolts. Repeat procedure to attach the other headboard bracket flange.

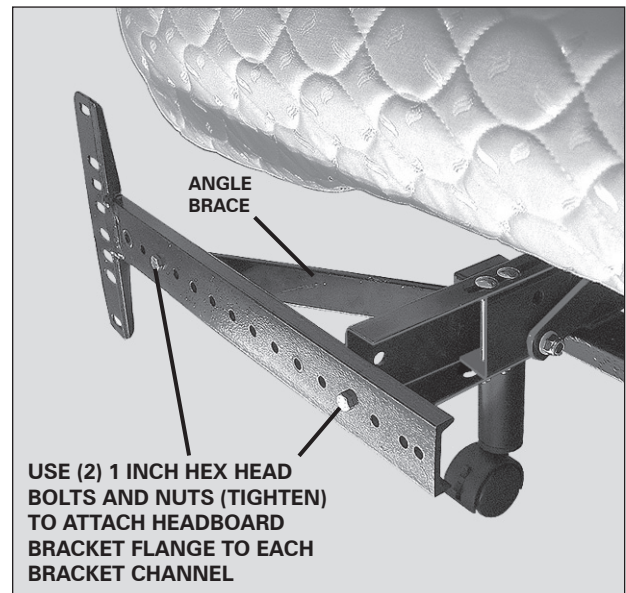


FIGURE 8: Headboard bracket flange installation (*attach one flange to each of the headboard bracket channels*).

INSTALLATION

- d. Slide headboard bracket assemblies (in or out) to achieve a distance of 1.5 inches (38.1mm) to 2 inches (50.8mm) between the edge of the bed base and headboard bracket flange assemblies (**FIGURE 9**).
- e. Firmly tighten the 3 inch carriage bolts of both headboard bracket channels.
- f. Measure the distance (center-to-center) between the mounting holes in the headboard.
- g. Measure the center-to-center distance between the mounting slots of the headboard bracket flanges (**FIGURE 10**).
- h. If bracket flange adjustment is required to accept the headboard, remove the 1 inch headboard bracket flange bolts and move flanges side-to-side for the adjustment (**FIGURE 10**). Reinstall bolts and tighten.
- i. Install headboard.

12. Install mattress on the adjustable bed base.

Typical Prodigy™ adjustable bed installation is now complete.

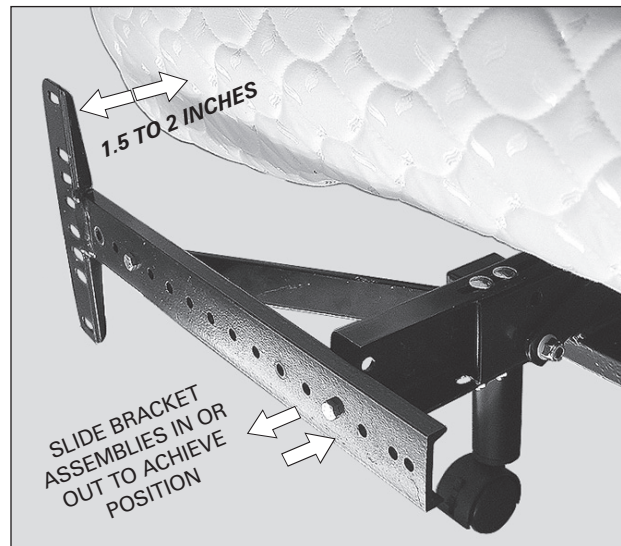


FIGURE 9: Headboard bracket position from the edge of the bed base frame.

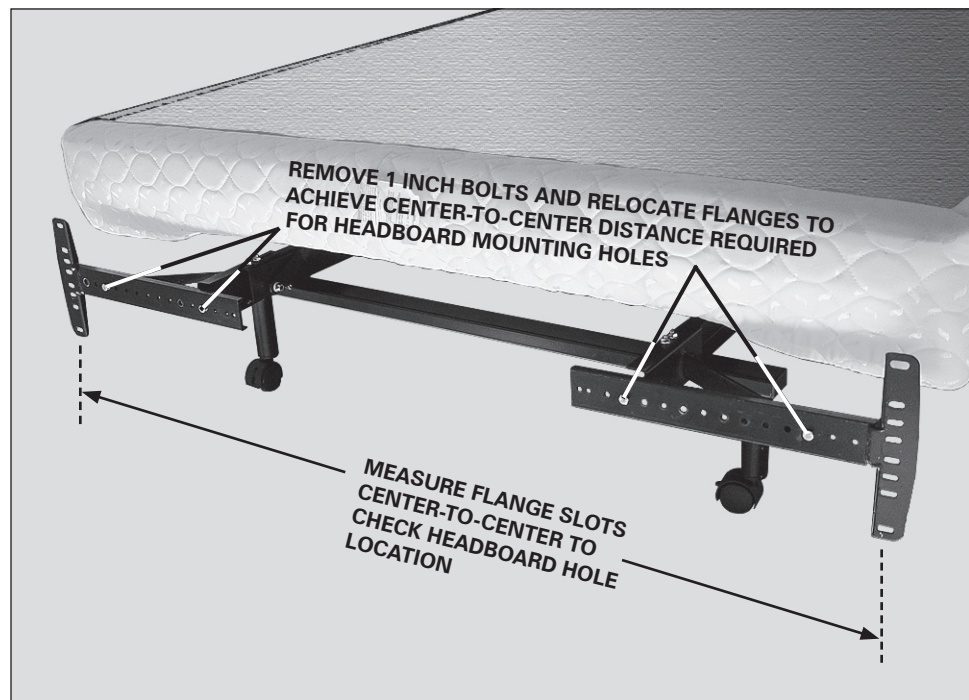


FIGURE 10: Headboard bracket measurement and adjustment to accept headboard.

Prodigy™ HAND CONTROL FUNCTION

DISPLAY
Indicates current time when no features are being activated. When sleep timer is set, displays time remaining in cycle.

POSITION BUTTONS
Press and release to return the bed to one of the four positions programmed using the *S button*.

HEAD UP/DOWN BUTTON
Press and hold to raise or lower the head section.

HEAD MASSAGE BUTTON
Press and hold the *increase arrow* to turn the massage on at medium intensity. Adjust massage intensity using *increase* and *decrease arrows*. To turn off, press and hold the *decrease arrow* until the massage turns off.

WAVE ON/OFF BUTTON
Press and hold the *increase arrow*—after the head and/or foot massage have been activated—to activate the wave vibration system. To turn wave vibration system off, press and hold the *decrease arrow* until the wave turns off.

ALARM BUTTON
Press to turn alarm on or off. Press once for Wave wake-up and twice for Alarm wake-up. Press three times for both features. Press a fourth time to deactivate alarm. Alarm status is indicated on the clock display.

SET BUTTON
Press to capture any position or function (massage or wave) of the bed as a programmed position. To program, press the *S button*. When the display shows Set, within 2 seconds press the *1, 2, 3, or 4 button* to save the current setting. When programmed, position 1 is the default sleep position and position 3 is the default anti-snore position. Up to four positions may be saved.

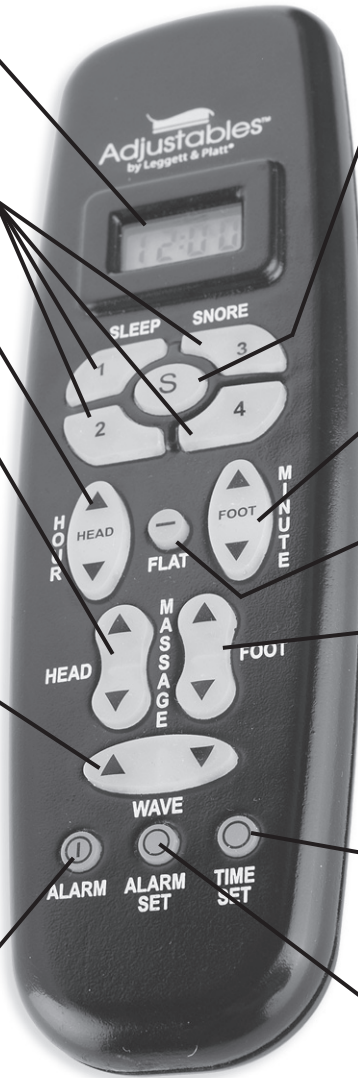
FOOT UP/DOWN BUTTON
Press and hold to raise or lower the foot section.

LEVEL BUTTON
Press to return the bed to the flat position.

FOOT MASSAGE BUTTON
Press and hold the *increase arrow* to turn the massage on at medium intensity. Adjust massage intensity using *increase* and *decrease arrows*. To turn off, press and hold the *decrease arrow* until the massage turns off.

TIME SET BUTTON
Press to active time set mode. Press the *hour* (head up/down) and *minute* (foot up/down) *buttons* to set time. To exit mode, press any other button on the hand control.

ALARM SET BUTTON
Press to activate alarm set mode. Press the *hour* (head up/down) and *minute* (foot up/down) *buttons* to set time. To exit mode, press any other button on the hand control.



NOTE

HAND CONTROL REQUIRES FOUR (4) AAA SIZE BATTERIES. TO CONSERVE BATTERY LIFE, THE TRANSMITTER TURNS OFF ALL FUNCTIONS WHEN ANY BUTTON IS PRESSED FOR MORE THAN 50 SECONDS.

ADDITIONAL BUTTON FUNCTIONS

- Sleep timer** — Press the **S button** two (2) times to program the Sleep timer for 30 minutes or three (3) times for 60 minutes. After the allotted time, the bed will return to program set position 1.
- Anti-Snore** — Press **Set button 3** to activate the anti-snore feature. The bed will go to position 3 and after 30 minutes, the bed will return to position 1. **Note: the bed has a default position 3 setting of head up seven (7) degrees, which can be re-programmed by the user.**

TROUBLESHOOTING

In the event the Prodigy™ adjustable bed fails to operate, investigate the symptoms and possible solutions provided in the chart below:

SYMPTOM	SOLUTION
Hand control illuminates and appears to be operable, but will not activate bed.	<ul style="list-style-type: none"> • Verify power cord is plugged into a working, grounded electrical outlet. <i>A grounded, electrical surge protection device is recommended.</i> Test outlet by plugging in another working appliance.
No features of the adjustable bed will activate.	<ul style="list-style-type: none"> • Program the hand control (see <i>Hand Control Programming</i> section of this manual for programming procedures). • Unplug power cord, wait 30 seconds and plug in to reset electronic components. • Electrical circuit breaker may be tripped. check electrical service breaker box to verify. • Defective surge protection device or electrical outlet. Test outlet by plugging in another working appliance.
Hand control will not illuminate.	<ul style="list-style-type: none"> • Replace batteries in the hand control.
Head or foot section will elevate, but will not return to the horizontal (flat) position.	<ul style="list-style-type: none"> • Bed mechanism may be obstructed. Elevate bed and check for obstruction. Remove obstruction. • Head section may be too close to the wall. • Headboard may be too close the edge of the mattress. Verify a 1.5" (38.1mm) to 2" (50.8mm) distance between headboard brackets and mattress. Adjust if required.
Excessive massage motor noise.	<ul style="list-style-type: none"> • Verify headboard brackets were removed during installation. Remove headboard brackets if still attached to the underneath side of bed. • If bed is located on hard surface flooring, place carpet pieces or rubber caster cups under each leg or caster of the bed. (See accessory section of this manual for rubber caster cup order information.) • Elevate the head or foot section a short distance (with the hand control) to realign the lift/lower mechanisms with the bed support platform. • Verify that bed is not positioned against a wall, nightstand, or other object that may cause vibration or noise. • If adjustable bed is installed over a bed frame, verify massage motors are not causing bed frame (or bed frame components) to vibrate. • Verify that headboard attachment hardware is tightened firmly (if used).

ACCESSORIES

Prodigy™ OPTIONAL EQUIPMENT

Contact customer service toll free (800-888-3078) to order the accessories indicated in the chart below.

ACCESSORY DESCRIPTION	CODE
Glides ¹ (set of 4, replaces legs)	4B2385
3" Legs (set of 4)	4B2284
5" Legs (set of 4)	4B2100
Swing-away Hinges ²	4B1209
Screw-in Locking Casters ¹ (set of 4, replaces legs)	4B1954
Bed Straps (connects two lifestyles™ beds together)	4B1792
5" Adjustable Leg Kit ³ (adjustment range: 6-1/8" to 9-3/8")	4B3402
Rubber Caster Cups (set of 4)	4B1034

¹ Headboard brackets cannot be used with glides or screw-in locking casters.

² Swing-away hinges are designed for use with dual queen or dual king size adjustable bed bases. The swing-away hinge allows easy access between two mated beds for domestic cleaning (i.e. sweeping, changing sheets) by swinging the beds apart.

³ Leg kit contains 6 adjustable legs and pre-cut foam rubber stripping for use with center support system.



4B2385



4B1034



4B3402



4B1954

4B2284



4B2100



4B1209



4B1792

1-2-LIFETIME WARRANTY

Leggett & Platt, Incorporated (“L&P”) warrants this adjustable bed to the consumer who is the original purchaser (the “purchaser”), subject to the terms and conditions set forth herein. This warranty begins on the “warranty commencement date” which is the date of purchase for new unused beds and the date of manufacture for beds that have been used as floor or display models. Thus, on a floor model bed, the warranty is a portion of the limited lifetime warranty.

FULL 1 YEAR WARRANTY

This adjustable bed is warranted against defects in the workmanship or materials for a period of one (1) year from the warranty commencement date. Upon notice during the first year after the warranty commencement date, L&P will repair or replace (at no cost to the purchaser) any defective adjustable bed part, and L&P will pay all authorized labor and transportation costs associated with the repair or replacement of any parts found to be defective.

2 YEAR LIMITED WARRANTY

During the second year from the warranty commencement date, upon receipt of notice, L&P will replace any adjustable bed part found to be defective. This limited two (2) year warranty shall not apply unless the defective part is returned to L&P within ten (10) days of purchaser’s receipt of the replacement part. Purchaser shall pay all service and transportation costs related to the replacement of the defective part.

LIFETIME LIMITED WARRANTY

Upon notice during the third year through the lifetime from the warranty commencement date, L&P will replace, upon terms and conditions set forth in this paragraph, any mechanical bed part found to be defective. **Electronics, electrical components, drive motors and massage motors are excluded.** This limited lifetime warranty shall not apply unless the defective part is returned to L&P within ten (10) days of purchaser’s receipt of the replacement part. In years 3 - lifetime, purchaser shall pay all service and transportation costs related to the replacement of the defective part.

ADDITIONAL TERMS AND CONDITIONS

This warranty does not apply; (a) to any damage caused by the purchaser; (b) if there has been any repair or replacement of adjustable bed parts by an unauthorized person; (c) if the adjustable bed has been mishandled (whether in transit or by other means), subjected to physical or electrical abuse or misuse, or otherwise operated in any manner inconsistent with the operation and maintenance procedures outlined in the Owners Manual and this warranty; (d) to damage to mattresses, fabric, cables, electrical cords or items supplied by dealers. Contact the dealer for warranty information on these items; (e) if there has been any modification of the adjustable bed **without prior written consent by L&P**; (f) to costs for unnecessary service calls, including costs for in-home service calls solely for the purpose of educating the consumer about the adjustable bed or finding an unsatisfactory power connection; (g) if the recommended weight restriction is not followed (refer to the advisory section of this manual), the warranty will be void.

Continued on next page...

1-2-LIFETIME WARRANTY

Repairs to or replacement of an adjustable bed or its components under the terms of this limited warranty will apply to the original warranty period and will not serve to extend such period.

The decision to repair or to replace defective parts under this warranty shall be made, or cause to be made, by L&P at its option and in its sole discretion.

Repair or replacement shall be the sole remedy of the purchaser. There shall be no liability on the part of L&P for any special, indirect, incidental, or consequential damages or for any other damage, claim, or loss not expressly covered by the terms of this warranty.

This limited warranty does not include reimbursement for inconvenience, removal, installation, setup time, loss of use, shipping, or any other costs or expenses. Leggett & Platt or its service technicians shall not be responsible for moving furniture or any other items not attached to the adjustable bed in order to perform service on the adjustable bed.

It is the sole responsibility of the purchaser to provide adequate space and accessibility to the adjustable bed. In the event that the technician is unable to perform service due to lack of accessibility, the service call will be billed to the purchaser and the service will have to be rescheduled.

L&P makes no other warranty whatever, express or implied, and all implied warranties of merchantability and fitness for a particular purpose are disclaimed by L&P and excluded from this agreement.

Some states do not allow the exclusion or limitation of incidental or consequential damages, so the above limitation or exclusion may not apply to every purchaser.

This warranty gives the purchaser specific legal rights, and the purchaser may also have other rights, which may vary from state to state. This warranty is valid in all 50 states, Puerto Rico, and Canada.

WARRANTY INFORMATION

**PO Box 668
Lexington, NC 27293
800-888-3078**

**For customer service online, email:
*accustomerservice@leggett.com***

Please do not contact retail dealer or any other service personnel.

