

## RF Wireless Remote

RGB LED Controller

## Instructions

- 19 Dynamic Modes
- Card Type RF Remote
- 20 Static Colors
- Ultra Slim Design
- Very Smooth Effects
- Dynamic Demo Mode
- Speed Adjustable
- Easy Remote Pairing
- Brightness Adjustable
- Power off Memorize

### 1. Turn On/ Standby

Press this key to turn on unit or switch to standby mode. At power on, unit will automatically turn on and restore to previous status .

### 2/9. Dynamic Mode Adjust

Switch to dynamic mode from static color, or switch between dynamic modes.

### 3/8. Dynamic Speed Adjust

Adjust dynamic playing speed. Press SPEED+ to increase speed and press SPEED- to decrease. Unit will switch to dynamic mode If press this key at static color mode.

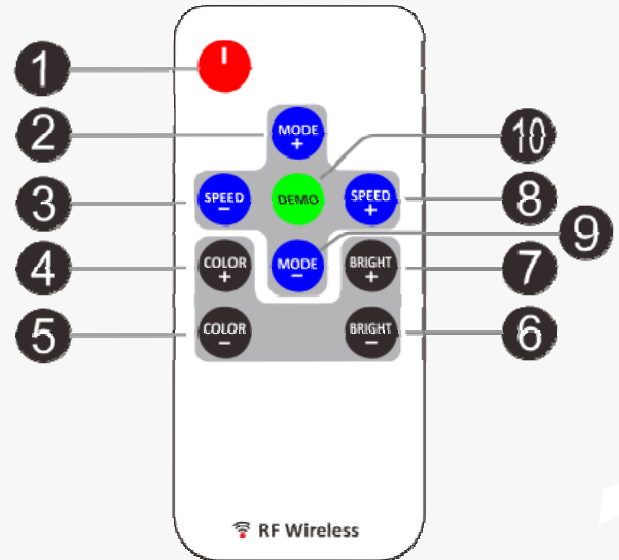
### 4/5. Static Color Adjust

Switch to static color mode from dynamic mode, or switch between static colors.

### 6/7. Brightness Adjust

Adjust static color brightness. Press BRIGHT+ to increase brightness and press BRIGHT- to decrease. Unit will switch to static color mode If press this key at dynamic mode.

## Functions



### 10. Demo Mode

Press this key will switch to Demo mode. At demo mode, it plays 9 dynamic modes in loop, each mode repeat 3 times.

## Installing

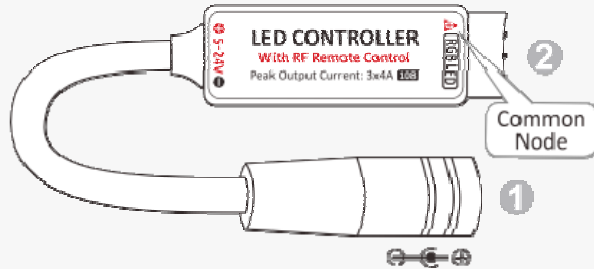
### 1. Power Supply

This unit accepts DC 5V to 24V power supply. The DC jack's inner pole (or red cable) is positive and sleeve (or black cable) is negative. Also please make sure the power supply voltage is same as the LED load.

### 2. LED Output

This unit support common anode connection LED products. The mark '△' indicates the common connection node. The peak output current is 4 amperes and maximum constant current is 2 amperes per channel. Please reduce load if main unit is overheating.

**CAUTION!** Do not short circuit or overload the LED outputs, this may lead to permanent damage!



## Operation

### 1. Using Remote Controller

Please pull out the battery insulate tape before using. The RF wireless remote signal can pass through barrier, so it's not necessary to aim at the main unit when operate.

### 3. Free Remote Pairing Mode

In some specific cases, the main unit may need to be paired to any remote controllers. Please do following steps for free remote pairing mode:

- 1). Plug off the power of main unit and plug in after 5 seconds.
- 2). Press 'ON/OFF' and 'MODE+' key together in 5 seconds after power on.

After this operation, the main unit will recognize any remote controller. To pair the main unit back to specific remote, please repeat the 'Pairing New Remote' operation.

For proper receiving remote signal, please do not install the main unit in closed metal parts.

### 2. Pairing New Remote

The remote and main unit is 1 to 1 paired as default. Further more, main unit can be paired to 3 remote controllers and each remote controller can be paired to any main unit.

Please do following steps to pair new remote controller:

- 1). Plug off the power of main unit and plug in after 5 seconds.
- 2). Press 'SPEED-' and 'SPEED+' key together in 5 seconds after power on.

After this operation, the main unit will recognize the new remote controller.

## Specification

Dynamic mode	19 modes
Static Color	20 colors
PWM Grade	256 levels
Brightness Grade	5 levels
Speed Grade	10 levels
Demo mode	Yes
Working Voltage	DC 5~24V
Output Current	3x4A peak, 3x2A constant
Remote frequency	433.92MHz
Remote distance	>15m at open area

Label&Label location



LABEL SIZE: long 20mm

Wide:10mm



**FCC Statement:**

This device complies with Part 15 of the FCC Rules. Operation is subject to the following two conditions: (1) This device may not cause harmful interference, and

(2) This device must accept any interference received, including interference that may cause undesired operation.

**NOTE: THE MANUFACTURER IS NOT RESPONSIBLE FOR ANY RADIO OR TV INTERFERENCE CAUSED BY UNAUTHORIZED MODIFICATIONS TO THIS EQUIPMENT. SUCH MODIFICATIONS COULD VOID THE USER'S AUTHORITY TO OPERATE THE EQUIPMENT.**