

# **Wireless ExpressCard Presenter (ExpressCard Size)**

## **User's Guide**

**Be sure to carefully read this User's Guide first for the proper use of the Wireless ExpressCard Presenter and keep it for future reference.**

---

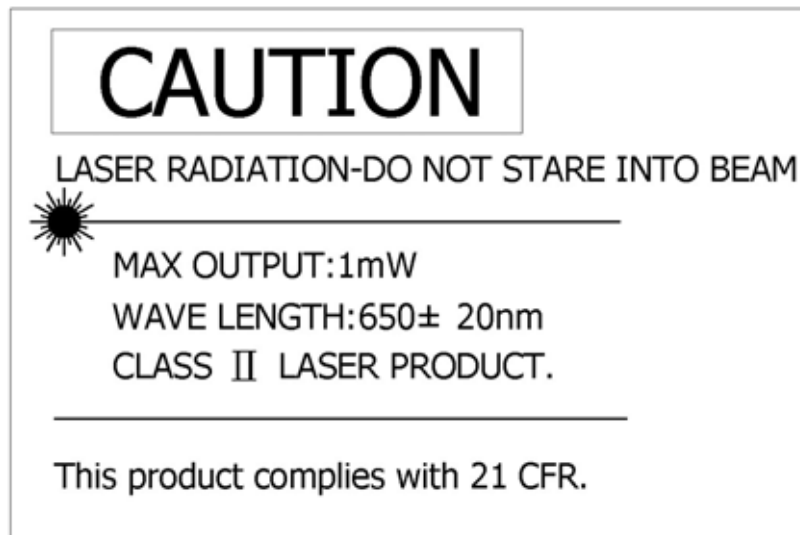
Information in this document is subject to change without notice. No part of this document may be reproduced or transmitted in any form or by any means, electronic or mechanical, for any purpose, without the express written prior permission of the seller.

The seller provides this document without warranty, or condition of any kind. The seller may make improvements or change in the product described in this documentation at any time.

Other product and company name herein may be the trademarks of their respective owners.

© 2007 All rights reserved.

## IMPORTANT SAFETY AND HEALTH INFORMATION



### WARNING! RISK OF INJURY!

**Laser beam can cause permanent damage to eyes.** Do not look into the laser beam or shine the laser beam into your eyes, other peoples' eyes, or pet's eyes.

### WARNING! RISK OF INJURY!

**Keep this device away from Children.** This is a working tool, not a toy or entertainment device. It should only be used by adults.

### NOTE

This equipment has been tested and found to comply with the limits for a Class B digital device, pursuant to Part 15 of the FCC Rules. These limits are designed to provide reasonable protection against harmful interference in a residential installation. This equipment generates, uses and can radiated radio frequency energy and, if not installed and used in accordance with the instructions, may cause harmful interference to radio communications. However, there is no guarantee that interference will not occur in a particular installation. If this equipment does cause harmful interference to radio or television reception, which can be determined by turning the equipment off and on, the user is encouraged to try to correct the interference by one or more of the following measures:

- Reorient or relocate the receiving antenna.
- Increase the separation between the equipment and receiver.
- Connect the equipment into an outlet on a circuit different from that to which the receiver is connected.
- Consult the dealer or an experienced radio/TV technician for help.

Changes or modifications not expressly approved by the party responsible for compliance could void the user's authority to operate the equipment.

This device complies with Part 15 of the FCC Rules. Operation is subject to the following two conditions:(1) this device may not cause harmful interference, and (2) this device must accept any interference received, including interference that may cause undesired operation.

This device and its antenna(s) must not be co-located or operating in conjunction with any other antenna or transmitter.

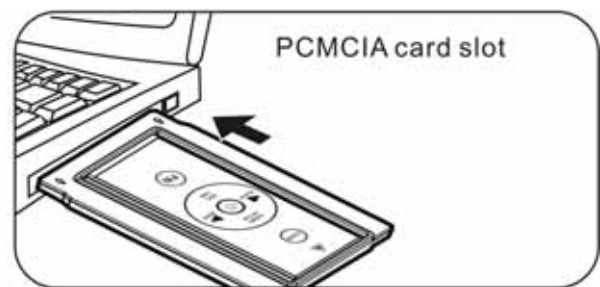
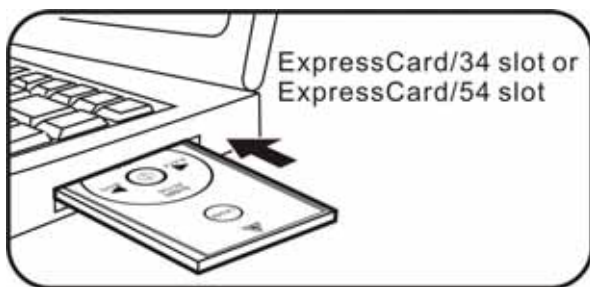
## **Thank you for choosing the Wireless ExpressCard Presenter —“Make Your Presentation Easier and More Effective”**

### ■ ***Introduction of Wireless ExpressCard Presenter***

The Wireless ExpressCard Presenter is the mixed of RF wireless control of PowerPoint shortcuts and build-in laser point. The Presenter enables the user to control presentation slides wirelessly up to 66 feet (20M).

The Presenter is a USB plug-and-play device with no additional software required and featured with low-battery warning. The USB receiver is designed slim enough to snap into the main body and fit the whole wireless presenter into the ExpressCard/34 or ExpressCard/54 slot of your notebook PC. You can also use the supplied PCMCIA card boat to fit it in your PCMCIA card slot.

(Please refer to "How to use the PCMCIA card boat".)



### ■ ***What's included***

- Wireless ExpressCard Presenter (with USB receiver) 1
- CR2032 battery 1
- User's Manual 1
- PCMCIA Card Boat 1

### ■ ***System Requirements***

- Windows® 2000/XP/Windows Vista™ PC

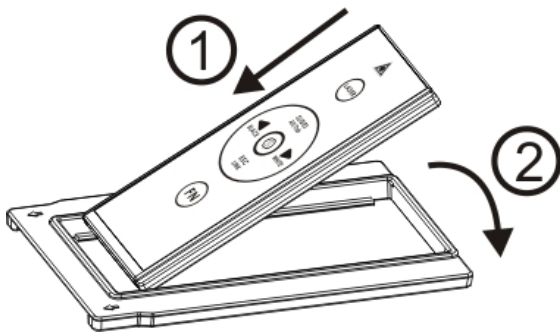
- An available USB port

### ■ **How to use the PCMCIA Card Boat**

The Wireless ExpressCard Presenter can be stored in the ExpressCard slot directly. In case your computer is equipped with PCMCIA slot, please place the Presenter in the boat and then store it in your PCMCIA card slot.

#### **Place the Presenter in the boat**

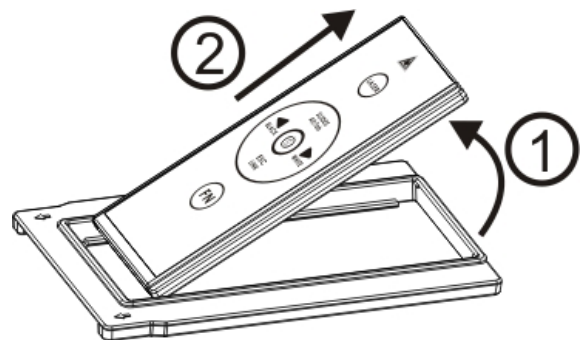
Insert the bottom of the USB receiver, label upwards, into the compartment and press the USB receiver to the compartment.



#### **Take out the Presenter form the boat**

**boat**

Pull up the Presenter from its top and take out the receiver.



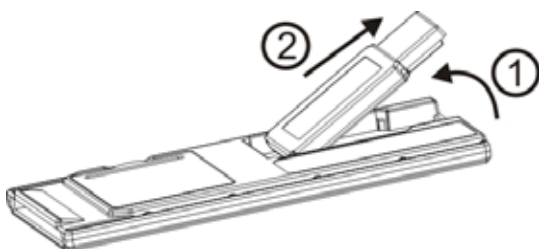
### ■ **Initial set up for the Wireless ExpressCard Presenter**

**Step 1:** Insert the supplied battery CR2032 with (+) side up into the battery compartment in back of Presenter.

**Step 2:** Remove the USB receiver from back of Presenter and plug into an available USB port on your PC, the Presenter is ready to use.

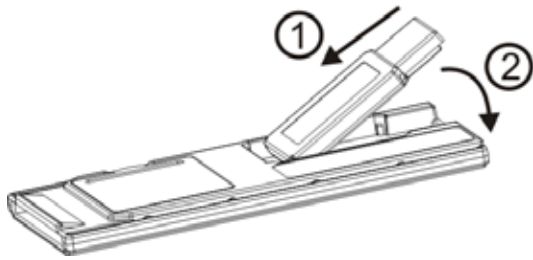
#### **Take out the USB receiver**

Pull up the USB receiver from its top and take out the receiver.

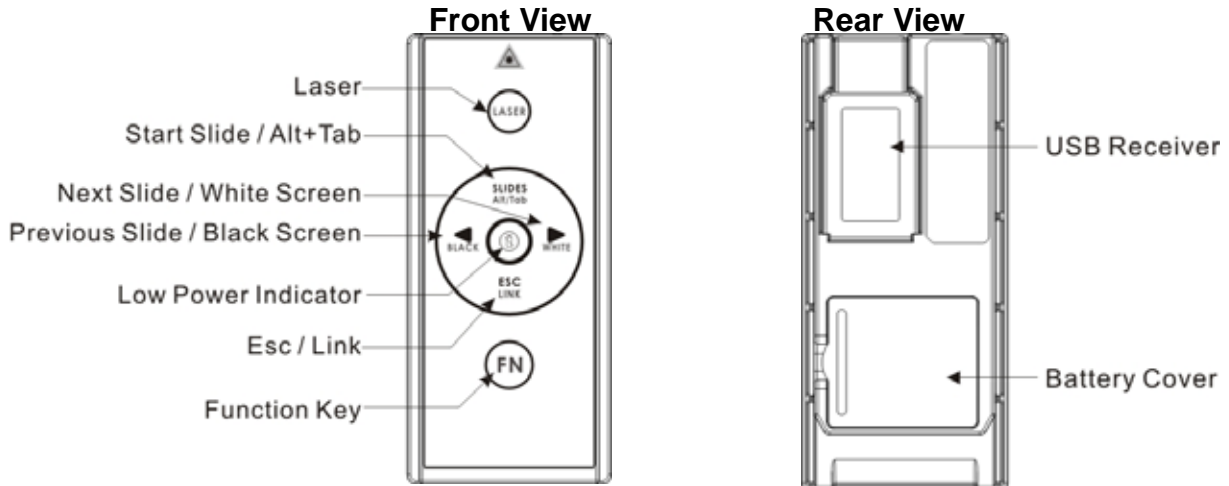


#### **Put back the USB receiver**

Insert the bottom of the USB receiver, label upwards, into the compartment and press the USB receiver to the compartment.



■ **Operating the Wireless ExpressCard Presenter**



Button with white character	Function	How to operate
	LASER	Press to emit the laser beam.
	Slides	Press to start slide show.
	ESC	Press to exit slide show.
	Next	Press to go to next slide.
	Prev.	Press to go to previous slide.

**Note:** The **FN** button is used in combination with the other buttons (blue character) for special PowerPoint function as the following.

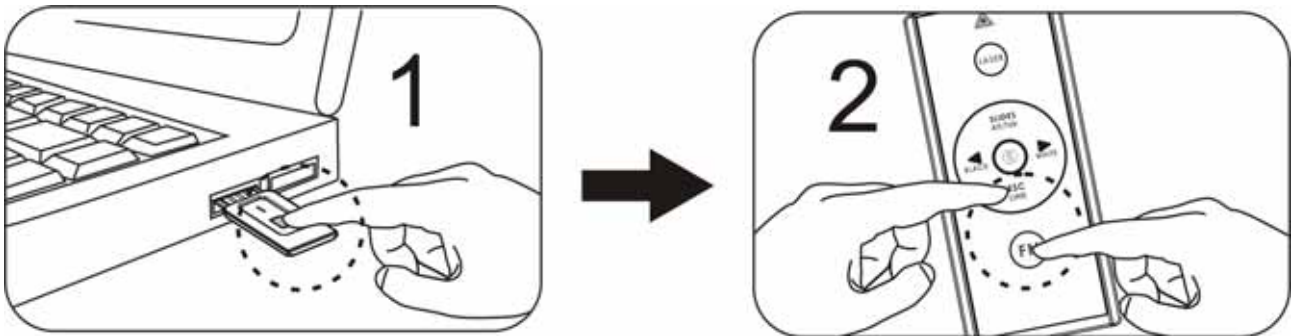
Button with blue character	Function	How to operate
Fn +	screen black	Press to turn the whole screen black. Press Next button returns to normal.
Fn +	screen white	Press to turn the whole screen white. Press Next button returns to normal.
Fn +	Change presentation program/files	Press and hold Fn button, click Alt+Tab to select the file, then release Fn button to swap to the file selected.

Fn + <b>Link</b>	Change ID	<p>Please see “How to pair the Wireless ExpressCard Presenter”.</p> <p><b>Note:</b> Implement ID change ONLY when serious RF interference causes the remote control malfunction.</p>
------------------	-----------	--

**Note:** The low battery indicator on the Presenter will light up when the power is running low, it is probably time to replace battery whenever you see the low battery indicator lights up.

■ **How to pair the Wireless ExpressCard Presenter**

1. Click the “ID Link” button on the USB receiver first, the “Link Indicator” lights up.
2. Press and hold " FN " and " Link " buttons on the Presenter simultaneously for 3 seconds until the Link indicator on the USB receiver blinks, the paring is completed.



■ **Product Specifications**

□ **System**

Frequency range: 2400~2483MHz  
 (16 multi channels and 65535 ID channels)  
 Remote range: Up to 66 feet (20 meters)  
 Operating voltage: 2.6V~3.3V  
 Power: CR2032 battery \* 1  
 Power consumption: Normal operation < 5mA  
                                   Laser operation < 30mA  
                                   Sleep < 10uA

Output power: Under 1mW

□ **Physical Dimensions**

Size: 75(l) x 34(w) x 5(h) millimeters  
 Weight: Approx. 14 grams (with the receiver and battery)

□ **Environmental Requirements**

Temperature:  
 Operating: 0 (32 )~60 (140 )  
 Non-operation: -10 (14 )~65 (149 )  
 Humidity(non-condensing):

Operating: 10%~85% RH

Non-operating: 10%~95% RH

- Laser: Semiconductor laser(  $\lambda = 650 \text{ nm}$ ), emission duration: continuous
- Laser output power: Max. 0.95mW

**Note:** Design and specifications are subject to change and improvement without notice.

**Patent Pending**

