

DTD: 15/2/2017

User manual for Model: RC30-014801 and RC30-014802

---

## PACKAGE CONTENTS / SYSTEM REQUIREMENTS

### PACKAGE CONTENTS

- Wireless Gaming headset ( Model: RC30-014802)
- Headset stand
- Audio hub( Model: RC30-014801)
- Optical cable
- 2x USB to Micro-USB cable
- Important Product Information Guide

### SYSTEM REQUIREMENTS

#### PRODUCT REQUIREMENTS

- PC or Xbox One

---

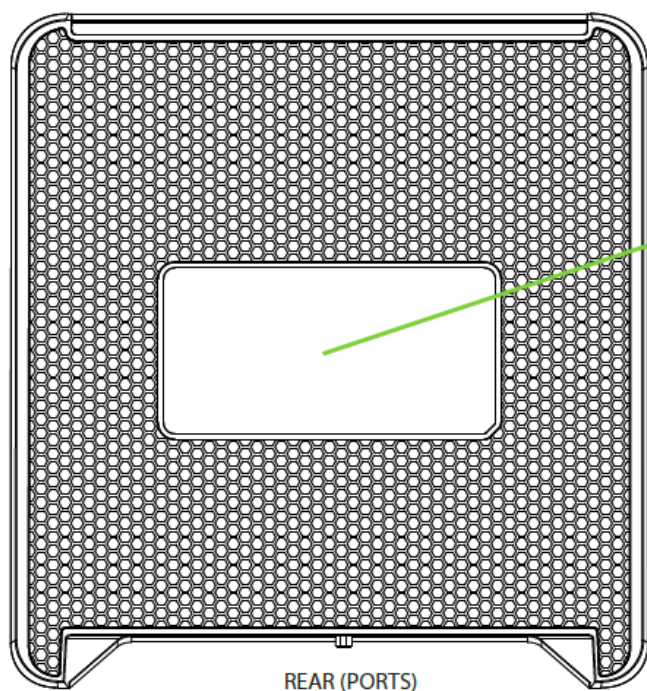
## 2. REGISTRATION / TECHNICAL SUPPORT

### REGISTRATION

Sign up now for a Razer Synapse account to get real-time information on your product's warranty status. To learn more about Razer Synapse and all its features, visit [razerzone.com/synapse](https://razerzone.com/synapse).

If you are already a Razer Synapse user, register your product by clicking on your email address at the Razer Synapse application and selecting Warranty Status from the dropdown list.

To register your product online, visit [razerzone.com/registration](https://razerzone.com/registration). Please note that you will not be able to view your warranty status if you register via the website.



*Your product's serial number  
can be found here.*

### TECHNICAL SUPPORT

What you'll get:

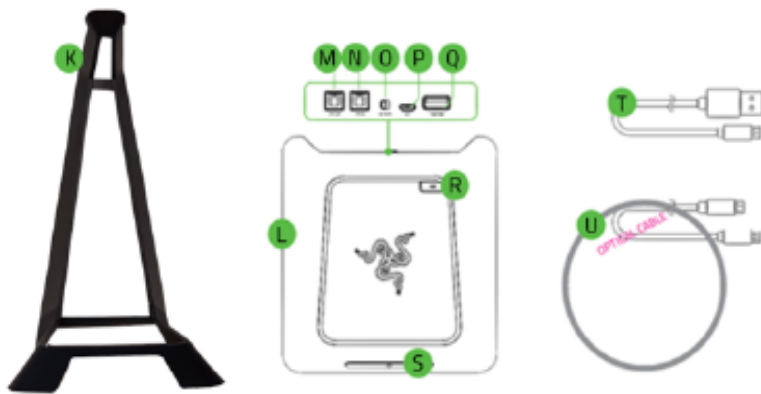
- 1 year limited manufacturer's warranty
- Free online technical support at [razersupport.com](https://razersupport.com)

---

## DEVICE LAYOUT



- A. Adjustable padded headband
- B. Circumaural, leatherette ear cushions
- C. Retractable microphone
- D. Microphone LED
- E. Razer logo backlighting
- F. LED indicator
- G. Headset power button
- H. Micro-USB charging port
- I. Game/chat balance control / microphone mute button
- J. Audio volume control / audio mute button



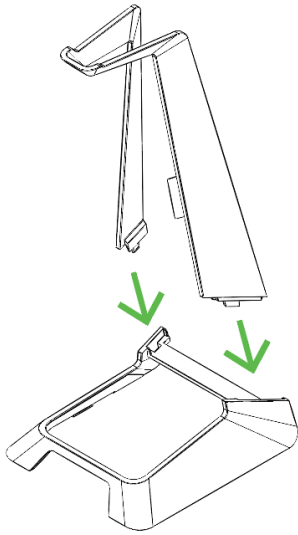
- K. Headset stand
- L. Audio hub
- M. Optical output port
- N. Optical input port
- O. Xbox / PC toggle
- P. Micro-USB power port
- Q. USB headset charging port
- R. Dolby Headphone button
- S. Audio hub power button
- T. USB to Micro-USB cables
- U. Optical cable

---

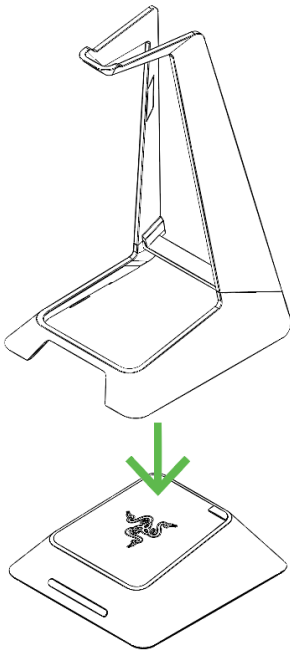
## SETTING UP YOUR RAZER THRESHER ULTIMATE FOR XBOX ONE

### PREPARING YOUR RAZER THRESHER ULTIMATE FOR XBOX ONE

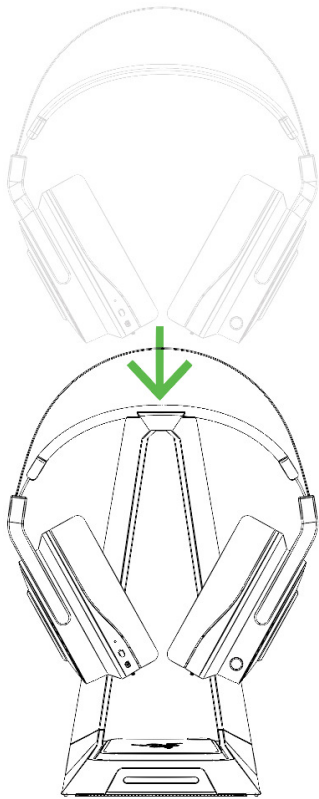
1. Attach the headset holder to the base.



2. Attach the audio hub to the base.

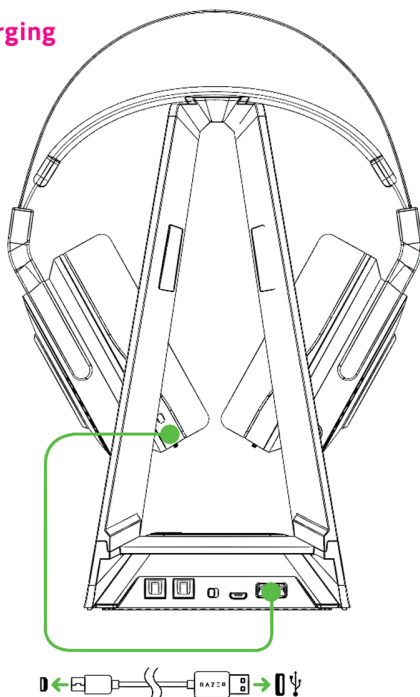


3. Place the headset onto the headset stand.



4. Plug a USB to Micro-USB cable from the audio hub to the headset.

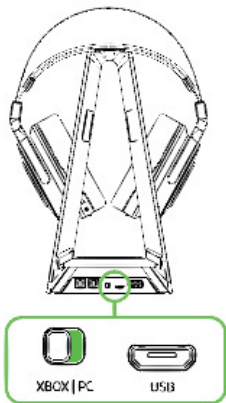
**Charging**



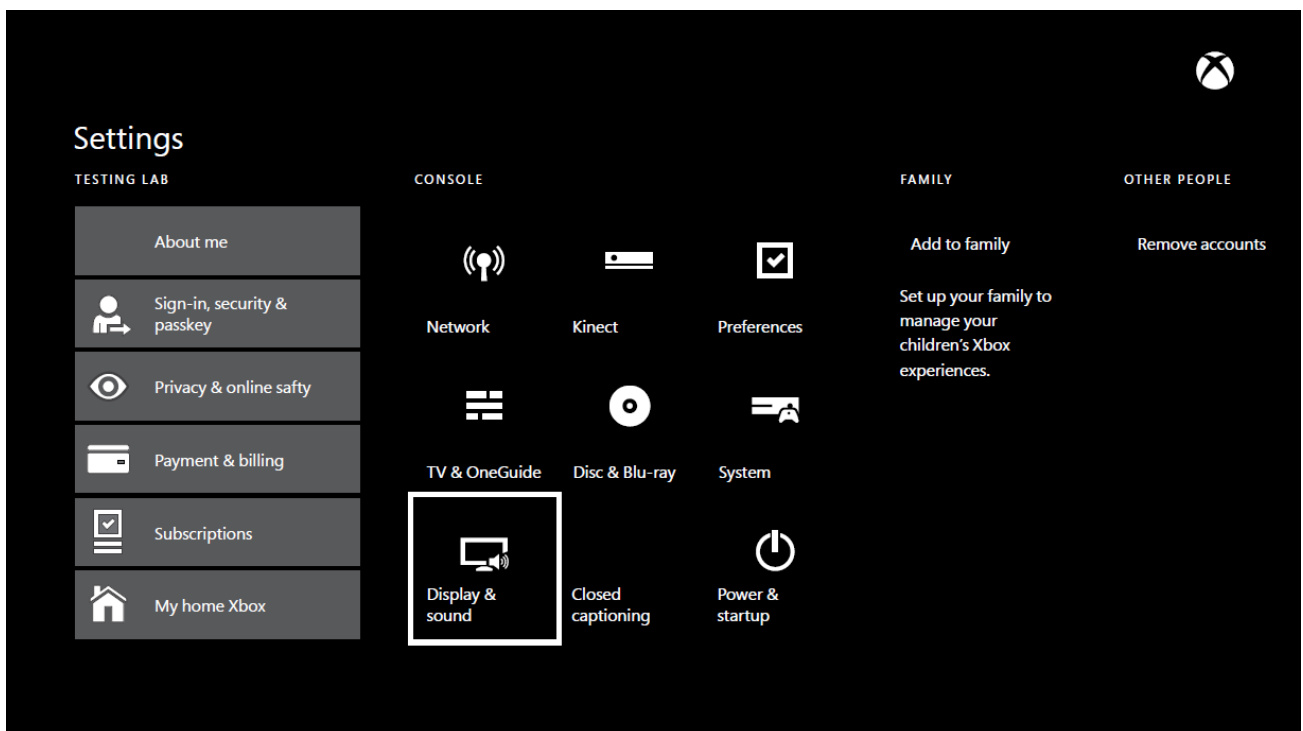
## CONNECTING YOUR RAZER THRESHER ULTIMATE FOR XBOX ONE TO YOUR XBOX ONE

*Note: Make sure to power on your Xbox One and log into your Xbox Live account before connecting your Razer Thresher Ultimate For Xbox One.*

1. Set the Xbox / PC toggle to XBOX.

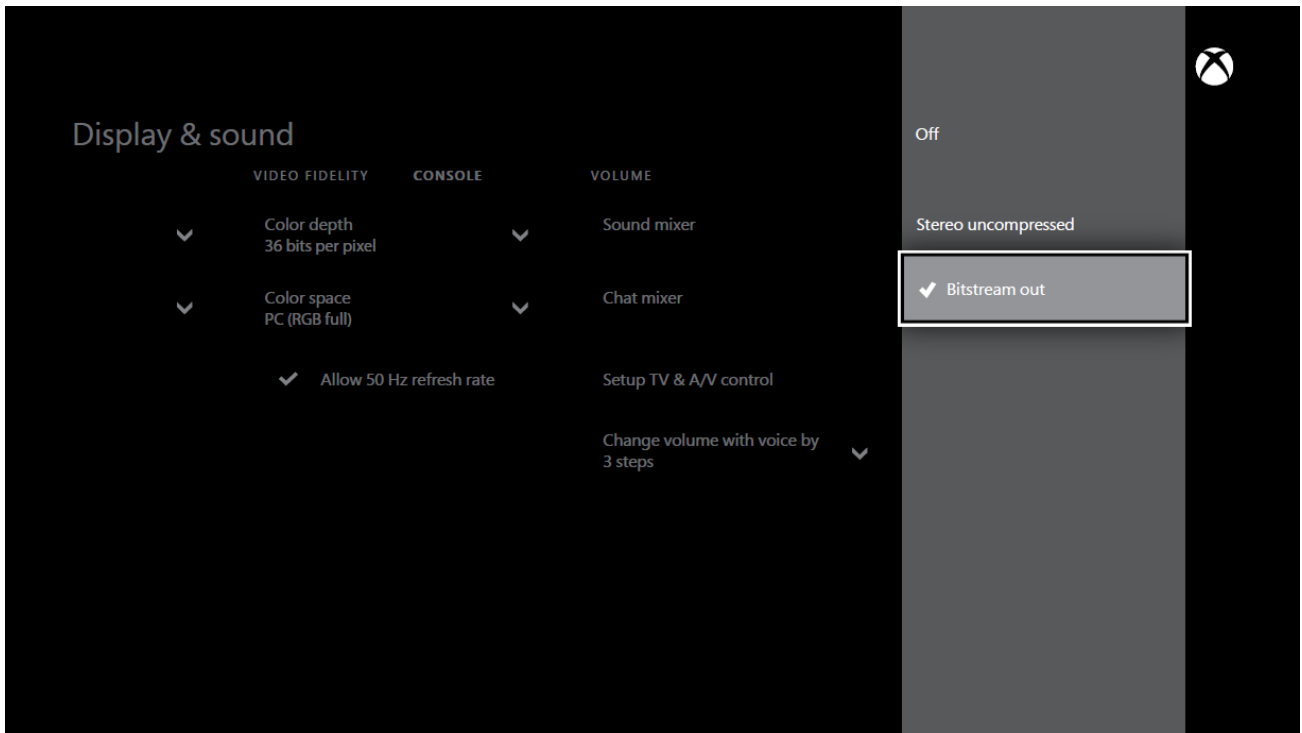


2. Plug a USB to Micro-USB cable from the audio hub to your Xbox One.
3. Plug the optical cable from the audio hub to your Xbox One.
4. From the Xbox One Home Screen, go to the **Settings** window.

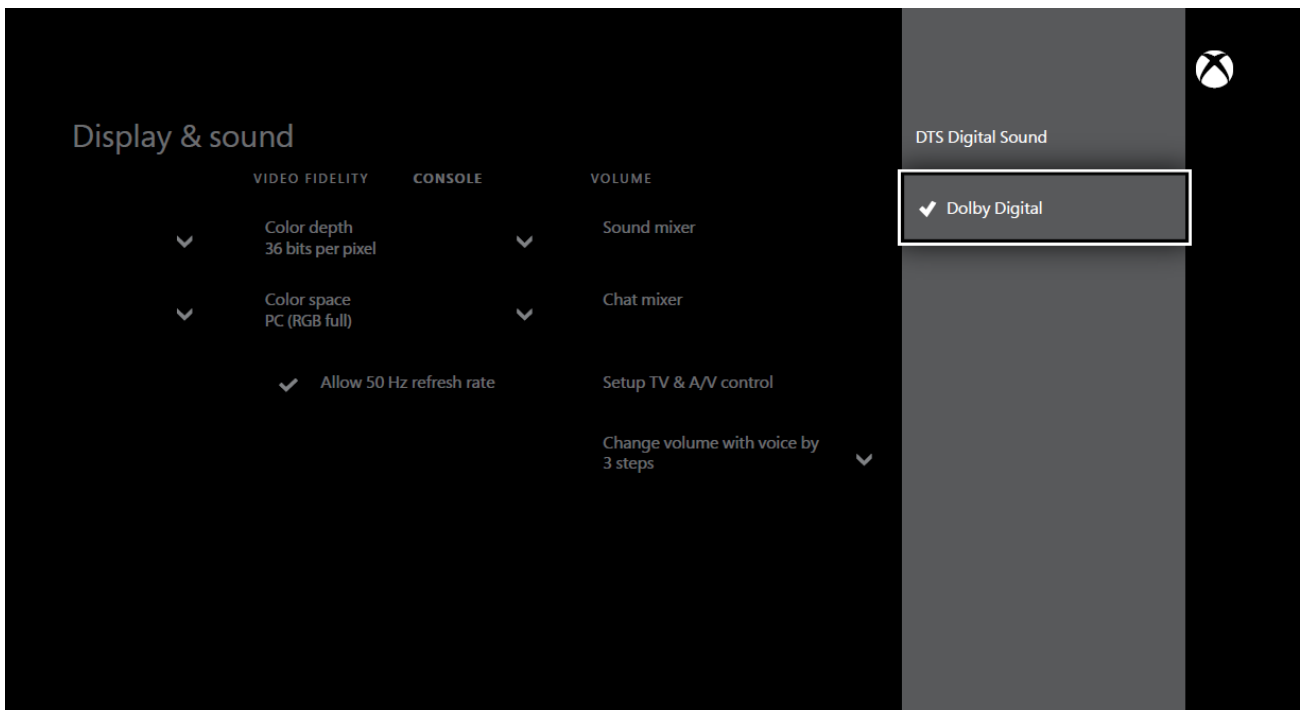




5. Go to **Display & Sound > Optical Audio**, and then select **Bitstream Out**.



6. From the **Display & Sound** screen, go to **Bitstream Format** and select **Dolby Digital**.

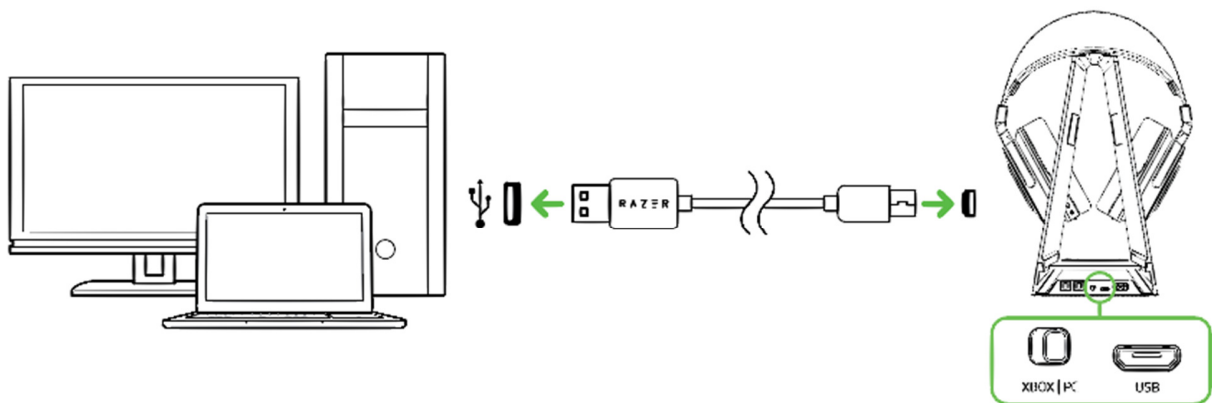


## CONNECTING YOUR RAZER THRESHER ULTIMATE FOR XBOX ONE TO YOUR PC

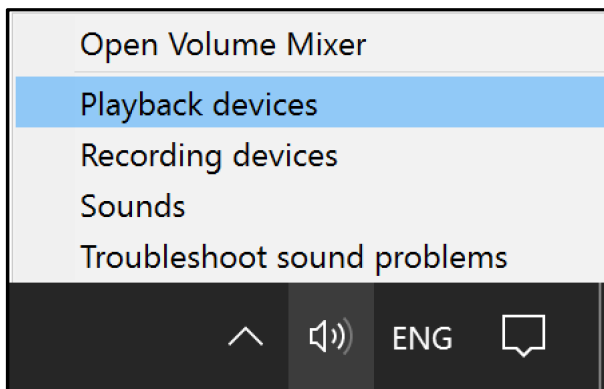
1. Set the Xbox / PC toggle to PC.



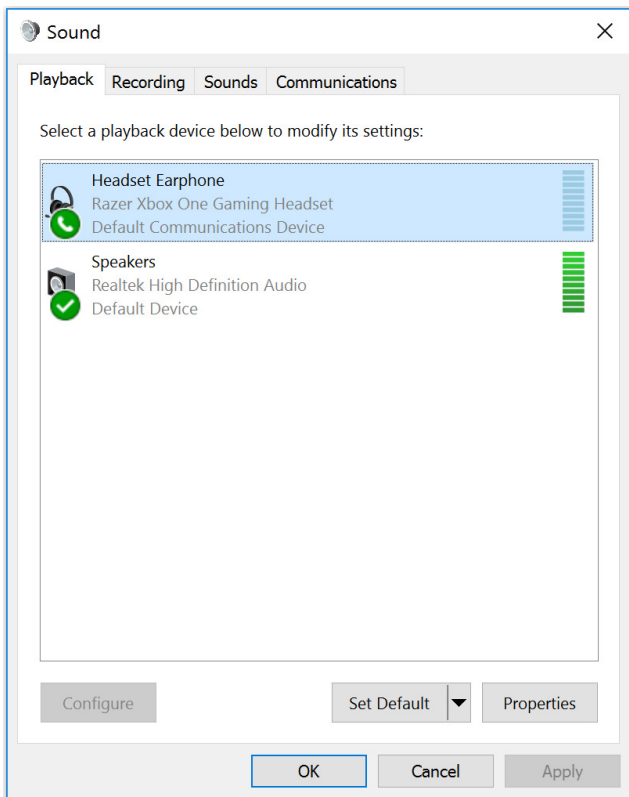
2. Plug a USB to Micro-USB cable from the audio hub to your PC.



3. Open your Sound settings from **Control Panel > Hardware and Sound > Manage audio devices**. You can also right-click on the sound icon on the system tray, and then select **Playback devices**.



4. In the Playback tab, select your Razer headset from the list, and then click the **Set Default** button.

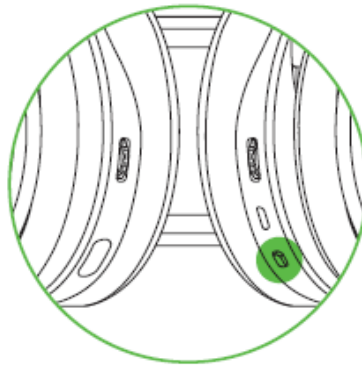


## CHARGING YOUR HEADSET

When you first connect to either PC or console, the headset will automatically begin to charge. For best results, please fully charge the headset before using it for the first time. A depleted unit will fully charge in about 8 hours.

## UNDERSTANDING THE CHARGING NOTIFICATIONS

The LED indicator on the headset will send out notifications depending on its current charging status, as shown here:



LED NOTIFICATION	SOUND NOTIFICATION	STATUS
Static red	None	Charging
Static green	None	Full Battery
Blinking red	Warning tone	Low battery

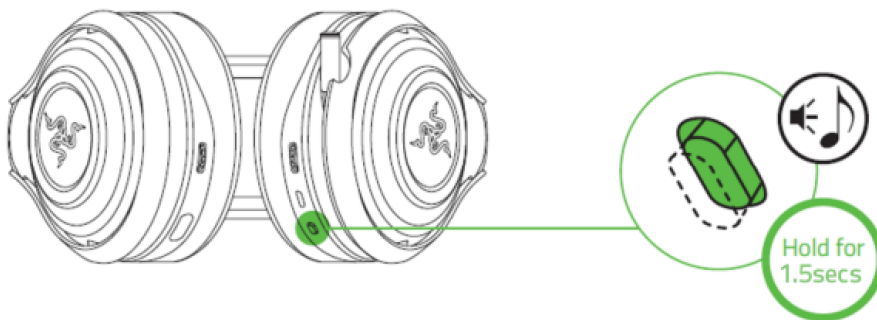
---

## USING YOUR RAZER THRESHER ULTIMATE FOR XBOX ONE

### POWER ON

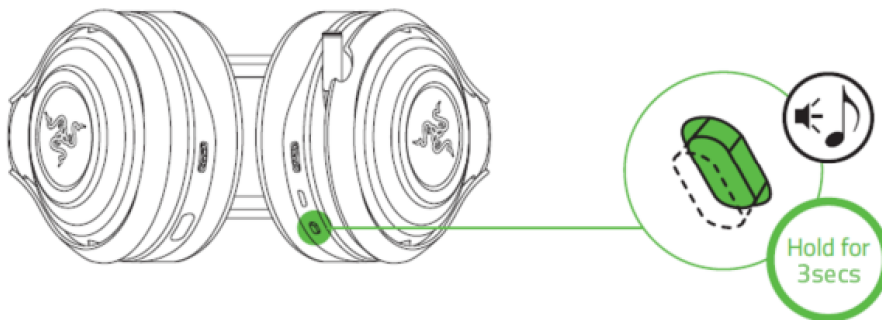
Press and hold the audio hub power button until the LED indicator starts blinking.

Press and hold the headset power button until you hear the ON tone or until the Razer logo starts blinking.



### POWER OFF

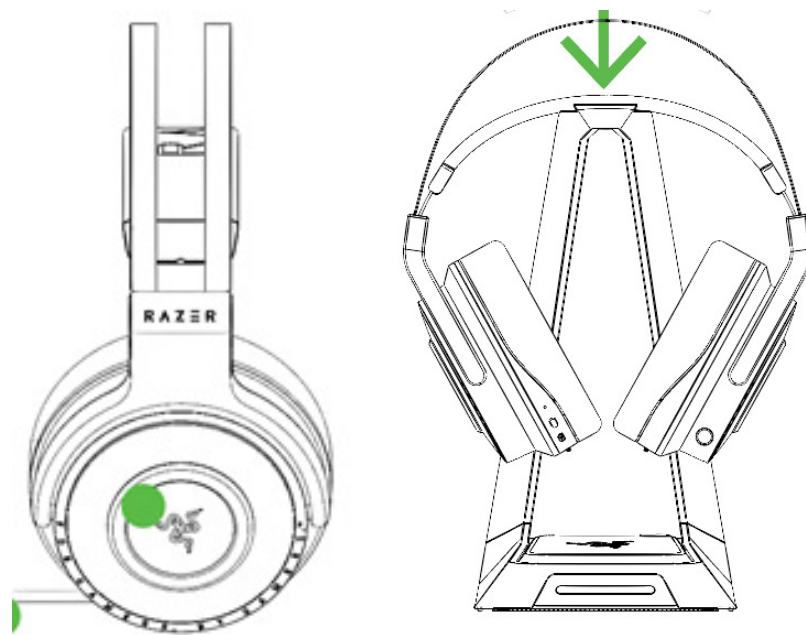
Press and hold the headset power button until you hear the OFF tone or until the Razer logo turns off.



Press and hold the audio hub power button until the LED indicator turns off.

### PAIRING NOTIFICATIONS

The headset's Razer logo and the audio hub's LED indicator will display notifications depending on each device's pairing status, as shown here:



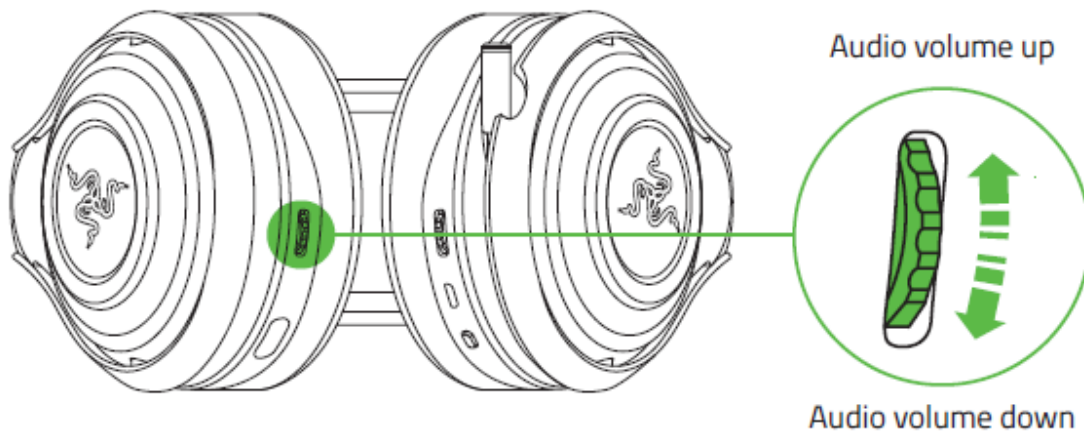
NOTIFICATION	HEADSET/AUDIO HUB STATUS
Slow blinking green	Searching for a device
Fast blinking green	Pairing mode
Static green	Connected / Paired

## USING THE DOLBY HEADPHONE TECHNOLOGY

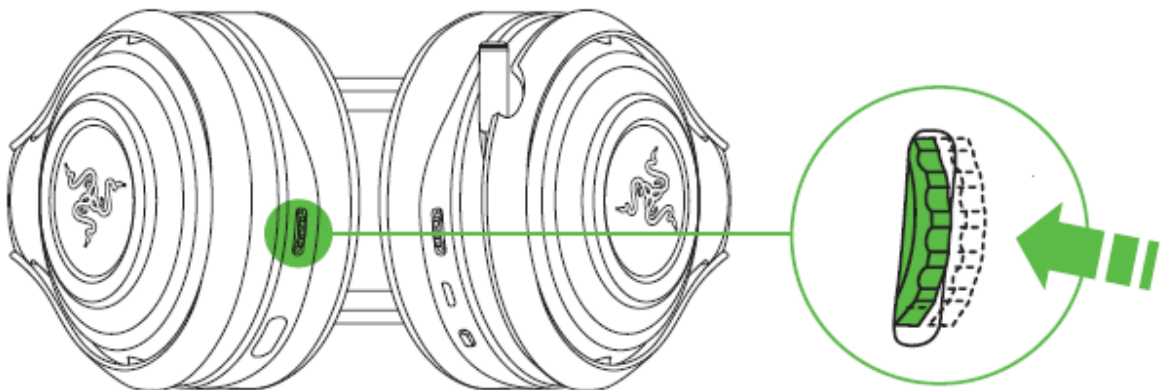
Press and hold the Dolby Headphone button for at least 2 seconds to activate/deactivate the virtual surround sound environment.

## USING THE AUDIO VOLUME CONTROL

Rotate the audio volume control to increase or decrease the volume. You will hear a short beep when you reach the minimum or maximum volume.

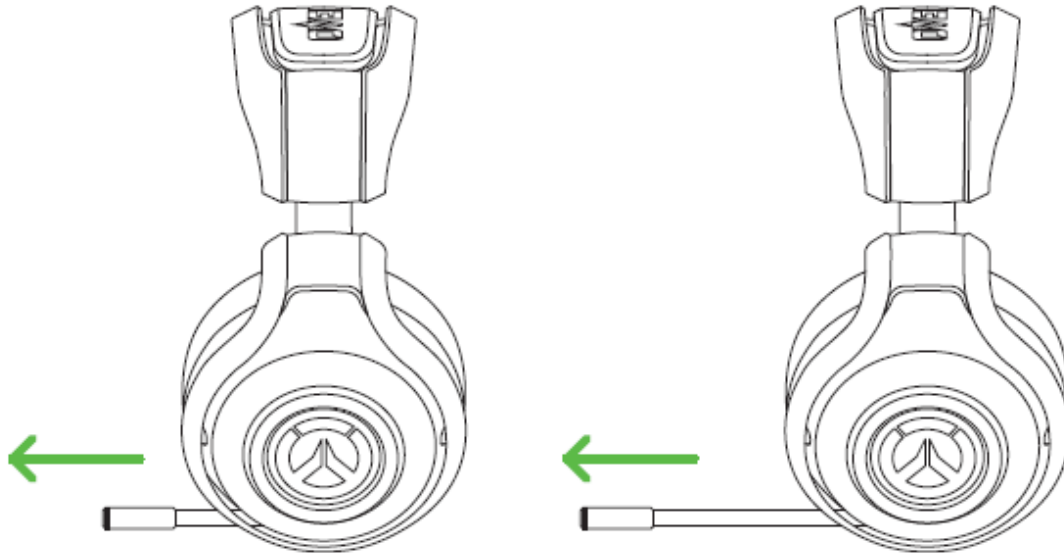


Press the audio mute button to mute or unmute the in-game audio.



## USING THE RETRACTABLE MICROPHONE

Pull the tip of the microphone until it is fully extended.

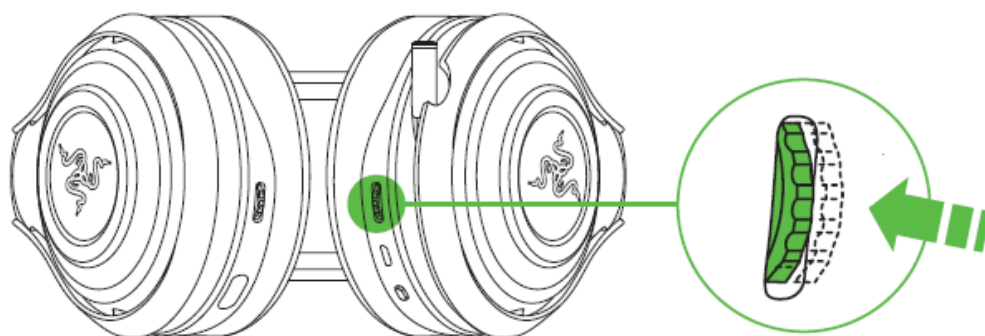


Bend the microphone until it is in front of your mouth, then adjust the length as preferred.

## USING THE GAME/CHAT BALANCE

Rotate the game/chat balance to increase the in-game volume and decrease the voice chat volume or vice versa. You will hear a short beep when you reach the maximum for either the in-game or voice chat volume.

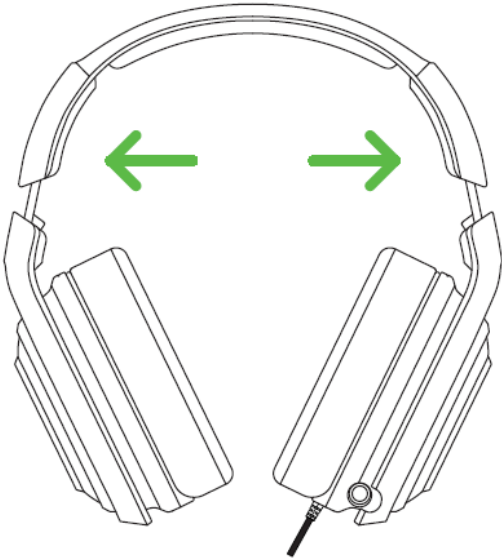
Press the microphone mute button to mute or unmute the microphone. The microphone LED will light up when muted.





## EXTENDING YOUR HEADSET'S LIFESPAN

We recommend stretching the headset gently apart before placing them over your head to minimize headband stress. However, please avoid overstretching the headset beyond its technical limits.



## TROUBLESHOOTING YOUR RAZER THRESHER ULTIMATE FOR XBOX ONE

In the unlikely event that it is necessary to pair a new headset or a new audio hub, simply follow these steps to reinitiate pairing:

1. Make sure your headset is sufficiently charged and your audio hub is connected to a power source.
2. From a power off status, press and hold the audio hub power button for at least 3 seconds.
3. From a power off status, press and hold the headset power button for at least 3 seconds.

*Note: The audio hub's LED indicator and the headset's Razer logo will blink rapidly to show that both devices are in pairing mode.*

4. Wait until pairing is complete. The audio hub's LED indicator and the headset's Razer logo will be in static green.

- **FCC Statement**

- This equipment has been tested and found to comply with the limits for a Class B digital device, pursuant to part 15 of the FCC Rules. These limits are designed to provide reasonable protection against harmful interference in a residential installation. This equipment generates uses and can radiate radio frequency energy and, if not installed and used in accordance with the instructions, may cause harmful interference to radio communications. However, there is no guarantee that interference will not occur in a particular installation. If this equipment does cause harmful interference to radio or television reception, which can be determined by turning the equipment off and on, the user is encouraged to try to correct the interference by one or more of the following measures:

- Reorient or relocate the receiving antenna.
- Increase the separation between the equipment and receiver.
- Connect the equipment into an outlet on a circuit different from that to which the receiver is connected.
- Consult the dealer or an experienced radio/TV technician for help.

- **FCC Statement**

This device complies with FCC radiation exposure limits set forth for an uncontrolled environment.

This device complies with Part 15 of the FCC Rules. Operation is subject to the following two conditions: (1) this device may not cause harmful interference, and (2) this device must accept any interference received, including interference that may cause undesired operation.

### **Caution!**

Any changes or modifications not expressly approved by the party responsible for compliance could void the user's authority to operate the equipment.

### **Canada Statement**

This device complies with Industry Canada's licence-exempt RSSs. Operation is subject to the following two conditions:

(1) This device may not cause interference; and

(2) This device must accept any interference, including interference that may cause undesired operation of the device.

Le présent appareil est conforme aux CNR d'Industrie Canada applicables aux appareils radio exempts de licence. L'exploitation est autorisée aux deux conditions suivantes :

- (1) l'appareil ne doit pas produire de brouillage;
- (2) l'utilisateur de l'appareil doit accepter tout brouillage radioélectrique subi, même si le brouillage est susceptible d'en compromettre le fonctionnement.

The device meets the exemption from the routine evaluation limits in section 2.5 of RSS 102 and compliance with RSS-102 RF exposure, users can obtain Canadian information on RF exposure and compliance.

- Le dispositif rencontre l'exemption des limites courantes d'évaluation dans la section 2.5 de RSS 102 et la conformité à l'exposition de RSS-102 rf, utilisateurs peut obtenir l'information canadienne sur l'exposition et la conformité de rf.

This equipment must be installed and operated in accordance with provided instructions and the antenna(s) used for this transmitter must be installed to provide a separation distance of at least 20 cm from all persons and must not be co-located or operating in conjunction with any other antenna or transmitter. End-users and installers must be provided with antenna installation instructions and consider removing the no-collocation statement.

- This transmitter must not be co-located or operating in conjunction with any other antenna or transmitter. This equipment should be installed and operated with a minimum distance of 20 centimeters between the radiator and your body.
- Cet émetteur ne doit pas être Co-placé ou ne fonctionnant en même temps qu'aucune autre antenne ou émetteur. Cet équipement devrait être installé et actionné avec une distance minimum de 20 centimètres entre le radiateur et votre corps.