

RCA

INSTRUCTION MANUAL

Before using the TV, please read this manual thoroughly, and retain it for future reference.



Model: RLDED3258A-C



CONTENTS

1	SAFETY PRECAUTION		1
2	IMPORTANT SAFETY INSTRUCTION		2
3	ACCESSORIES		3
4	GETTING STARTED		3
5	CONTROL REFERENCE GUIDE	Remote Control	4
		Front View	5
		Back View	5
		Side View	6
6	CONNECTIONS	Antenna Connection	7
		AV Connection	7
		YPbPr Connection	8
		HDMI Connection	8
		VGA Connection	9
		Headphone Connection	9
		Power Cord Connection	9
		Coax(SPDIFF) Connection	10
7	WALL MOUNT INSTALLATION		11
8	INITIAL SETUP	Putting The Unit On A Proper Place	12
		Source Selection	12
		Turning The Unit On For The First Time	12
9	TV SETUP	TV(CHANNEL) Menu	13
		Picture Menu	14
		Audio Menu	15
		Time Menu	16
		Setup Menu	17
		LOCK(Parental) Menu	18

CONTENTS

10	DISPLAY MODE	PC Formats Video Formats	19 20
11	SPECIFICATION		21
12	TROUBLE- SHOOTING GUIDE	TV Symptom	22


SAFETY CLASS :This is an IEC safety class I product
and it must be grounded for safety.


SAFETY PRECAUTION

* CAUTION MARKING WAS LOCATED AT THE REAR **PLACEMENT INFORMATION** OF THE APPARATUS.



WARNING: TO REDUCE THE RISK OF ELECTRIC SHOCK, DO NOT REMOVE COVER (OR BACK) NO USER SERVICEABLE PARTS INSIDE. REFER SERVICING TO QUALIFIED SERVICE PERSONNEL.

 The lightning flash with arrowhead symbol, within an equilateral triangle, is intended to alert the user to the presence of uninsulated “dangerous voltage” within the product’s enclosure that may be of sufficient magnitude to constitute a risk of electric shock to persons.

 The exclamation point within an equilateral Triangle is intended to alert the user to the presence of important operating and maintenance (servicing) instructions in the literature accompanying the appliance.



• DANGER OF EXPLOSION IF BATTERY IS INCORRECTLY REPLACED. REPLACE ONLY WITH THE SAME OR EQUIVALENT TYPE.

• USE OF CONTROLS OR ADJUSTMENTS OR PERFORMANCE OF PROCEDURES OTHER THAN THOSE SPECIFIED MAY RESULT IN HAZARDOUS RADIATION EXPOSURE.



• TO REDUCE THE RISK OF FIRE OR ELECTRIC SHOCK, DO NOT EXPOSE THIS APPLIANCE TO RAIN OR MOISTURE.
TO REVENT FIRE OR SHOCK HAZARD, DO NOT
• EXPOSE THIS UNIT TO RAIN OR MOISTURE. DO NOT PLACE OBJECTS FILLED WITH LIQUIDS ON OR NEAR THIS UNIT.
• SHOULD ANY TROUBLE OCCUR, DISCONNECT THE AC POWER CORD AND REFER SERVICING TO A QUALIFIED TECHNICIAN.

- Do not use this unit in places that are extremely hot, cold, dusty or humid.
- Do not restrict the airflow of this unit by placing it somewhere with poor airflow, by covering it with a cloth, by placing it on bedding or carpeting.

SAFETY INFORMATION

- When connecting or disconnecting the AC power cord, grip the plug and not the cord itself. Pulling the cord may damage it and create a hazard.
- When you are not going to use the unit for a long period of time, disconnect the AC power cord.

RATING PLATE LOCATION

The rating plate is located on the rear of the unit.

FCC STATEMENTS

NOTE: This unit has been tested and found to comply with the limits for a Class B digital device, pursuant to Part 15 of the FCC Rules. These limits are designed to provide reasonable protection against harmful interference in a residential installation.

This unit generates, uses and can radiate radio frequency energy and, if not installed and used in accordance with the instructions, may cause harmful interference to radio communication. However, there is no guarantee that interference will not occur in a particular installation. If this unit does cause harmful interference to radio or television reception, which can be determined by turning the unit off and on, the user is encouraged to try to correct the interference by one or more of the following measures:

- Reorient or relocate the receiving antenna.
- Increase the separation between the unit and receiver.
- Connect the unit into an outlet on a circuit different from that to which the receiver is connected.
- Consult the dealer or an experienced radio/TV technician for help.



Changes or modifications to this unit not expressly approved by the party responsible for compliance could void the user authority to operate the unit.

IMPORTANT SAFETY INSTRUCTIONS

- 1) Read these instructions.
- 2) Keep these instructions.
- 3) Heed all warnings.
- 4) Follow all instructions.
- 5) Do not use this apparatus near water.
- 6) Clean only with a dry cloth.
- 7) Do not block any ventilation openings.
Install in accordance with the manufacturer's instructions.
- 8) Do not install near any heat sources such as radiators, heat registers, stoves, or other apparatus (Including amplifiers) that produce heat.
- 9) Do not defeat the safety purpose of the polarized or grounding-type plug.
A polarized plug has two blades with one wider than the other.
A grounding type plug has two blades and a third grounding prong.
The wide blade or the third prong is provided for your safety.
If the provided plug does not fit into your wall outlet, consult an electrician for replacement of the obsolete outlet.
- 10) Protect the power cord from being walked on or pinched particularly at plugs, convenience receptacles, and the point where they exit from the apparatus.
- 11) Only use attachments / accessories specified by the manufacturer.
- 12) Use only with the cart, stand, tripod, bracket, or table specified by the manufacturer, or sold with the apparatus.
When a cart is used, use caution when moving the cart / apparatus combination to avoid injury from tip-over.
- 13) Unplug this apparatus during lightning storms or when unused for long periods of time.
- 14) Refer all servicing to qualified service personnel. Servicing is required when the apparatus has been damaged in any way, such as the power cord or plug is damaged, liquid has been spilled or objects have fallen into the apparatus, the apparatus has been exposed to rain or moisture, does not operate normally, or has been dropped.
- 15) To prevent electric shock, ensure the grounding pin on the AC cord power plug is securely connected.



ACCESSORIES

Please check and identify the supplied accessories.

Remote control	x 1
Battery(AA)	x 2
Warranty Card	x 1
Instruction Manual	x 1
Base stand and 5 screws	x 1
Screw driver	x 1

GETTING STARTED

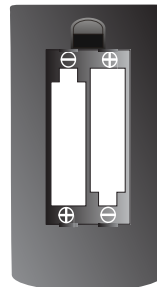
USING THE REMOTE CONTROL

- Point the remote control at the remote sensor located on the unit.
- When there is a strong ambient light source, the performance of the infrared remote sensor may be degraded, causing unreliable operation.
- The recommended effective distance for remote operation is about 16 feet (5 meters).

TO INSTALL THE BATTERIES

1. Open the battery door.

2. Insert 2 "AA" batteries



BATTERY REPLACEMENT

When the batteries become weak, the operating distance of the remote control is greatly reduced and you will need to replace the batteries.

CAUTION : Danger of explosion if battery is incorrectly replaced.

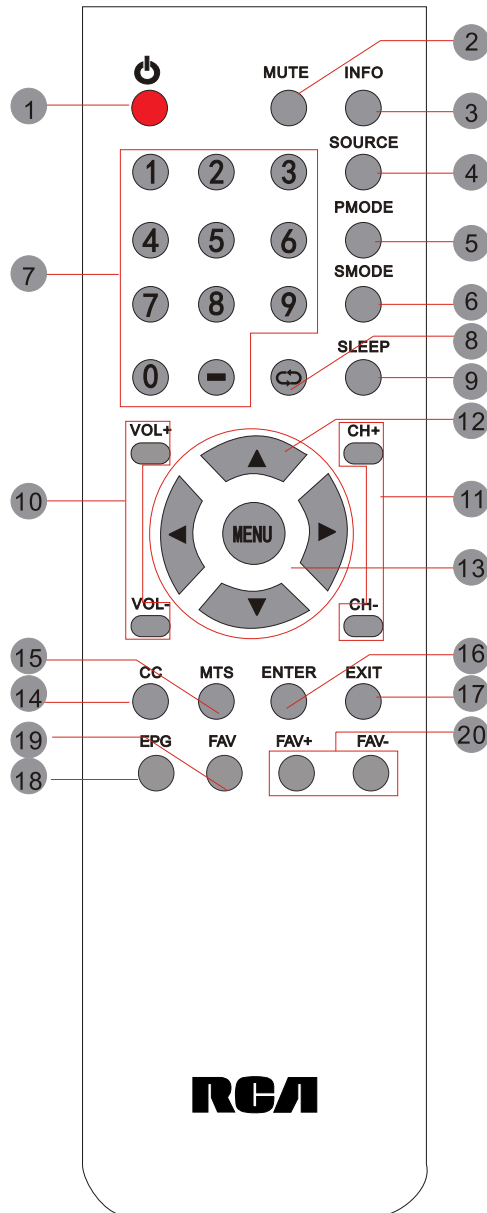
NOTES

- If the remote control is not going to be used for a long time, remove the batteries to avoid damage caused by battery leakage corrosion.
- Do not mix old and new batteries. Do not mix ALKALINE, standard (CARBON-ZINC) or rechargeable (NICKEL-CADMIUM) batteries.
- Always remove batteries as soon as they become weak.
- Weak batteries can leak and severely damage the remote control.

WARNING :
Do not dispose batteries in a fire. Batteries may explode or leak.
Batteries shall not be exposed to excessive heat such as sunshine, fire or the like.

CONTROL REFERENCE GUIDE

REMOTE CONTROL

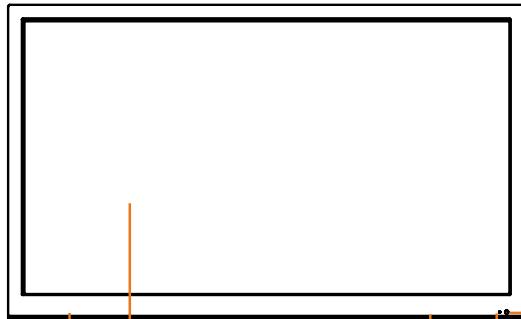


Universal Remote Code: 1218
 (Universal Remote Control is not included.)

- 1. **STANDBY**
To switch on the TV or make the TV into standby mode.
- 2. **MUTE**
Press this button to mute or restore sound.
- 3. **INFO**
Show the information of the program you are watching.
- 4. **SOURCE**
Press this button to select an input source.
- 5. **PMODE**
Press this button to select a picture mode for different picture qualities.
- 6. **SMODE**
Press this button to select sound setting for different sound effects.
- 7. **0-9**
Allows you to change the channel of the TV.
- 8. **↺**
Switches back and forth between the current and previous channels.
- 9. **SLEEP**
To select the amount of time before your TV turns Off automatically.
- 10. **VOL+/VOL-**
Increases/Decreases the Volume control.
- 11. **CH+/CH-**
Skips to the next/previous channel on TV mode.
- 12. **UP/DOWN/LEFT/RIGHT**
Moves the cursor upward/downward/to the left/to the right when making a selection.
- 13. **MENU**
Displays the OSD Menu of the TV.
- 14. **CC**
Press the button to enter into the CC mode.
- 15. **MTS**
To change among STEREO, MONO and SAP. If there is no second language available for the signal received, LED Display audio will output to mono.
- 16. **ENTER**
Press to confirm selections on a menu screen.
- 17. **Exit**
Press this button to exit the on screen display.
- 18. **EPG**
Press this button to select the electronic programme guide in DTV mode.
- 19. **FAV**
Press this button to show the favourite list.
- 20. **FAV+/FAV-**
Press this button to go through the FAV channel list.

CONTROL REFERENCE GUIDE

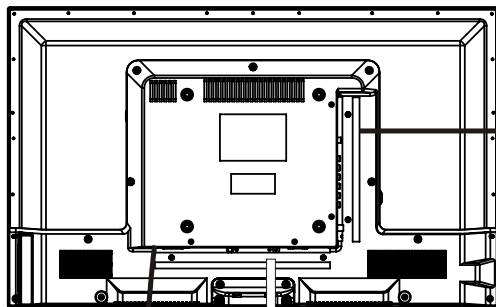
FRONT VIEW



4 1 4 3 2

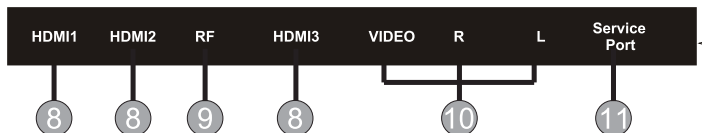
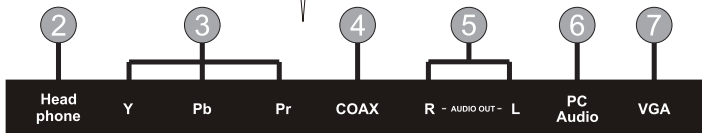
1. Color Screen
2. Remote Sensor
Do not block this sensor or the remote control will not work.
3. Standby Indicator
Indicates whether the unit is ON or in STANDBY (OFF) mode.
Light in red: The unit is in STANDBY.
Light in blue: The unit is turned ON.
4. Speakers

BACK VIEW



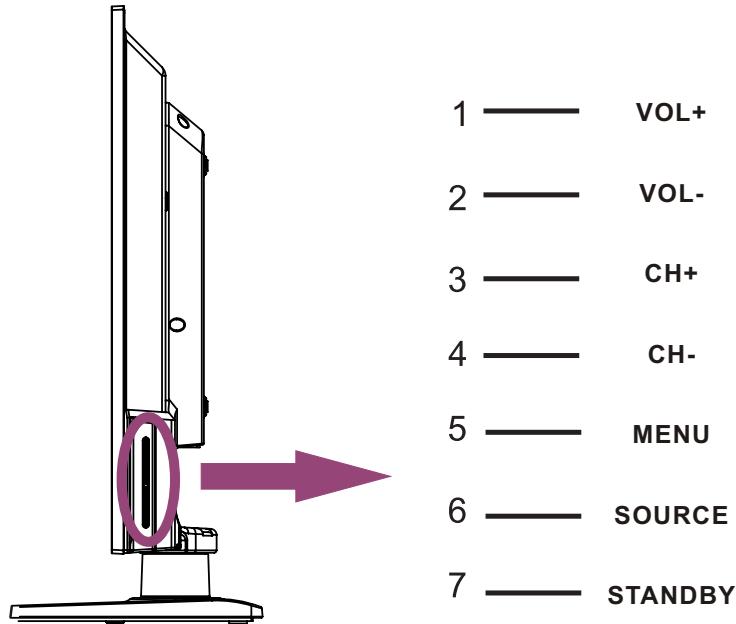
1

1. Power Cord
2. Headphone Jack
3. COMPONENT IN Jack
4. Coax OUT Jack
5. AUDIO OUT Jack
(Audio out-This connection is for sending out analog audio signal to the 2nd equipment. Red is for Right Channel, white is for left channel.)
6. PC AUDIO IN Jack
7. VGA IN Jack
8. HDMI IN Jacks
9. TV ANTENNA Terminal
10. AV IN Jack
11. Service Port



CONTROL REFERENCE GUIDE

SIDE VIEW



1. VOL+ Button

This button increases the TV's volume. If a sub-menu is active, pressing this button will move the selection right.

2. VOL- Button

This button decreases the TV's volume. If a sub-menu is active, pressing this button will move the selection left.

3. CH+ Button

This button changes the TV channel up. If the OSD is active, this button functions as up for the menu.

4. CH- Button

This button changes the TV channel down. If the OSD is active, this button functions as down for the menu.

5. Menu Button

This button activates the On Screen Display (OSD). If a sub-menu is active, pressing this button will exit the OSD.

6. SOURCE Button

Press to select the input source of the TV.

7. STANDBY Button

Turn on the TV by pressing the button once.
Press the button again to turn off the TV.

CONNECTIONS

CONNECTING A TV ANTENNA / CABLE / SATELLITE

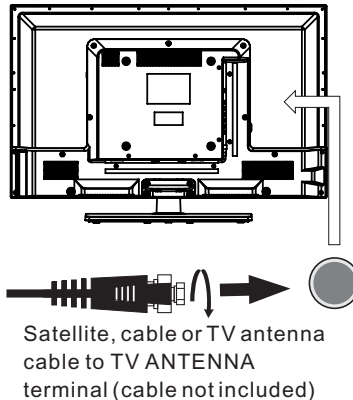
To view television channels correctly, a signal must be received from one of the following sources:

- An indoor or outdoor aerial antenna
- A cable system
- A satellite system

NOTE

For receiving over-the-air TV broadcasts, we recommend that you use an external fixed antenna. Should you require the use of a temporary antenna, please ensure that you purchase an antenna with sufficient ability to receive in weak signal areas.

Only when you are in close proximity to a transmitter will a temporary antenna reproduce a signal as strongly as a fixed antenna.



CONNECTING AN A/V DEVICE

To connect to other equipment such as a VCR, camcorder, satellite system or cable, etc.

CONNECTING DEVICES WITH A COMPOSITE (YELLOW RCA-TYPE) VIDEO OUTPUT

To connect A/V devices such as a VCR, video game system or camcorder.

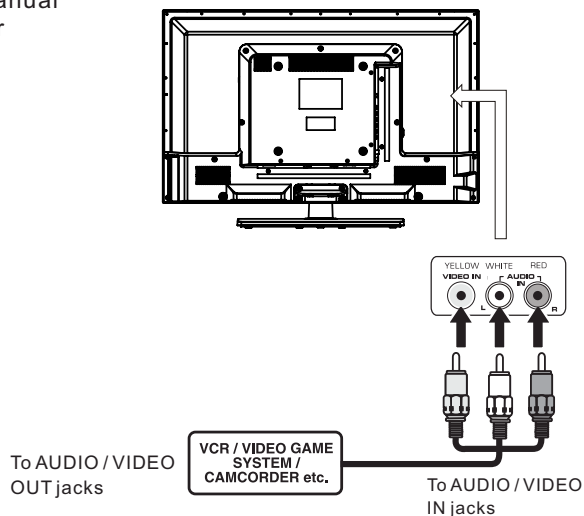
Connecting to a VCR / Video Game System / Camcorder

Connect the AUDIO / VIDEO cable (not included) as shown.

Make sure you connect the cable from the other equipment (**AUDIO** and **VIDEO OUT**) to this unit (**AV in**)

NOTE

Please refer to the user manual for the other equipment for more information.



CONNECTIONS

CONNECTING A HIGH-DEFINITION (HD) SOURCE USING COMPONENT CONNECTION

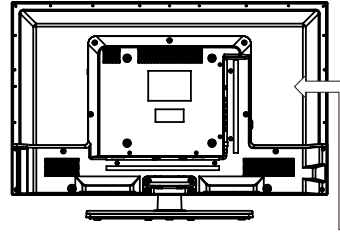
High-Definition (HD) Devices with component video output must be connected to the YPbPr input.

Connect the component video cable and audio cable (not included) as shown.

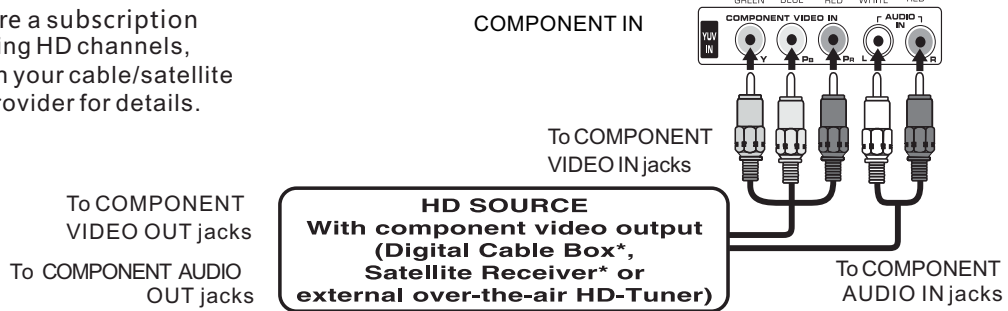
Make sure you connect the component video cable and audio cable from the other equipment (COMPONENT OUT and AUDIO OUT) to the unit COMPONENT IN.

NOTE

When connecting a DVD player to the television, the picture resolution is solely dependent upon the resolution supported by the DVD player attached. DVD player resolutions vary from 480i to 1080i, and this television can support DVD players up to a maximum resolution of 1080i.



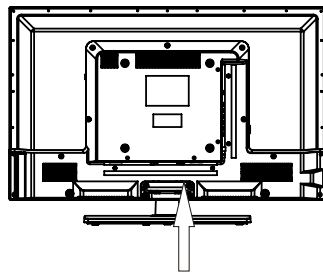
* May require a subscription for receiving HD channels, check with your cable/satellite service provider for details.



CONNECTING A HIGH-DEFINITION (HD) SOURCE USING HDMI CONNECTION

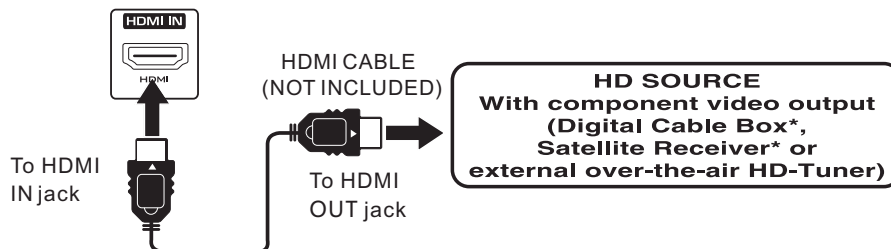
HDMI (High Definition Multimedia Interface) supports both video and audio on a single digital connection for use with DVD players, DTV, set-top boxes and other digital AV devices. HDMI was developed to provide the technologies of High Bandwidth Digital Content Protection (HDCP) as well as Digital Visual Interface (DVI) in one specification. HDCP is used to protect digital content transmitted and received by DVI-compliant or HDMI-compliant displays.

HDMI has the capability to support standard, enhanced or high-definition video plus standard to multi-channel surround-sound audio. HDMI features include uncompressed digital video, a bandwidth of up to 2.2 gigabytes per second (with HDTV signals), one connector (instead of several cables and connectors), and communication between the AV source and AV devices such as DTVs.



Connect the HDMI cable (not included) as shown:

Make sure you connect the cable from the source equipment (HDMI OUT) to this unit (HDMI IN).

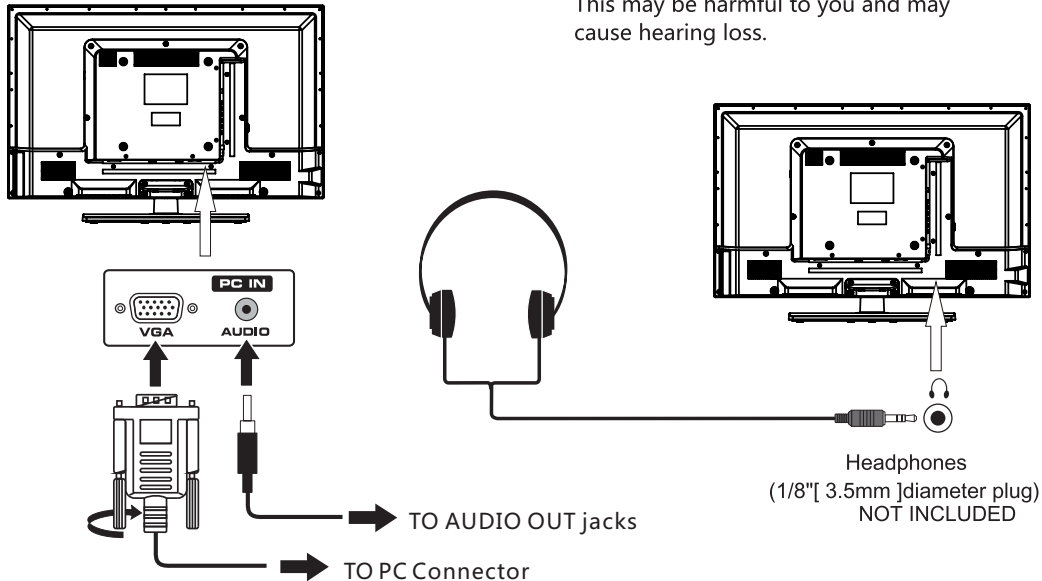


CONNECTIONS

CONNECTING A PC

Connect the 15-pin D-SUB PC/VGA connector from your computer to the 15-pin D-SUB PC/VGA input on this unit using a monitor cable and an audio cable (not included) as shown.

Make sure you connect the cable from the computer (VGA and AUDIO - PC OUT) to this unit (VGA and AUDIO - PC IN).



CONNECTING HEADPHONES

- Turn down the volume before connecting headphones to the unit, then adjust the volume to your desired level.
- When headphones are connected, no sound will come from the front speakers.

NOTE

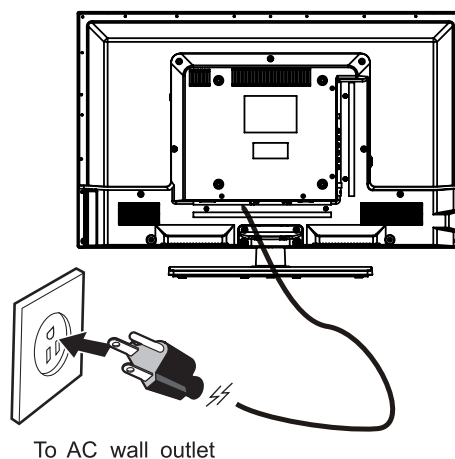
Avoiding listening to sound at high Levels for prolonged period of time. This may be harmful to you and may cause hearing loss.

CONNECTING THE POWER CORD

You can power on your TV unit before you make sure the power cord is inserted well. At the same time, please check that the rated voltage of your unit matches your local Voltage.

NOTE

- Insert the power plug fully into the socket outlet. (If the power plug is loose, it could generate heat and cause fire.)
- Ensure that the power plug is easily accessible.
- Ensure the earth pin on the power plug is securely connected to prevent electrical shock.
- Do not touch the power plug with a wet hand. (This may cause electrical shock.)
- Do not use any power cord other than that provided with this TV. (This may cause fire or electrical shock.)
- Do not damage the power cord. (A damaged cord may cause fire or electrical shock)
- Do not move the TV with the cord plugged in the socket outlet.
- Do not place a heavy object on the cord or place the cord near a high-temperature object.
- Do not twist the cord, bend it excessively, or stretch it.
- Do not pull on the cord. Hold onto the power plug body when disconnecting cord.
- Do not use a damaged power plug or socket outlet.



CONNECTIONS

Connection to a Home Theater Audio System

For BEST audio performance

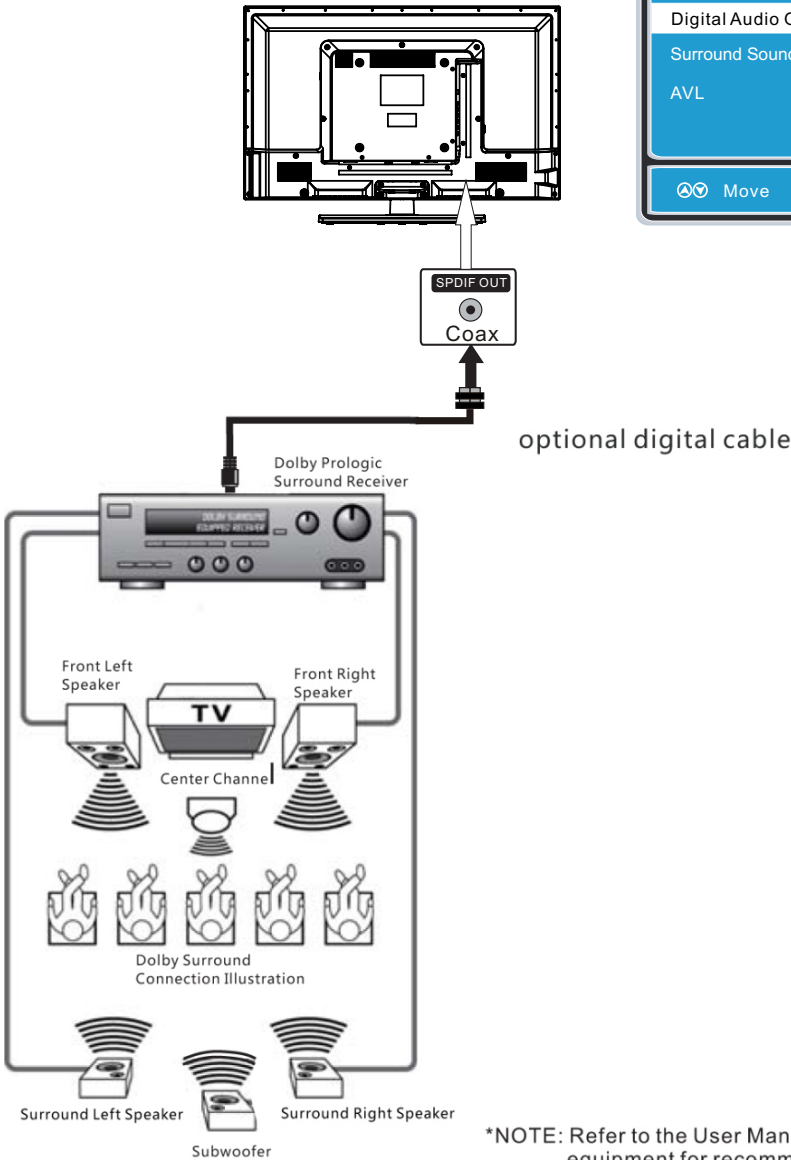
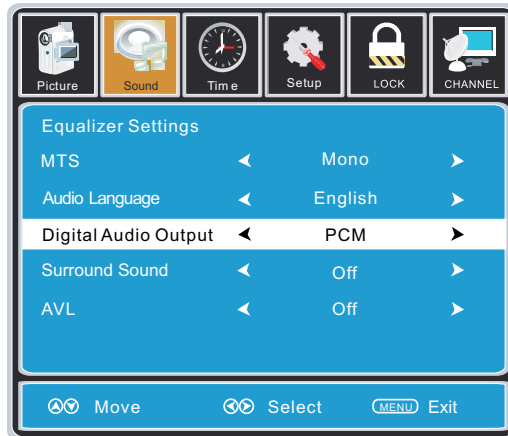
Connecting to a Home Theater System
Dolby Digital can deliver optimal 2 channel stereo or surround sound with five discrete full range channels plus a sixth channel for a subwoofer.

Enjoy optimal sound reproduction from your system with a Dolby Digital amplifier that incorporates a digital coaxial input. Connect an optional digital cable directly to the television's Coax audio output to listen through all inputs except VGA.

(The VGA does not support digital audio)

How To Setup Digital Output

Press the MENU button on the remote control
Press the right ► arrow button to select sound
Press the down ▼ arrow button to highlight SPDIF type right ► Raw or PCM



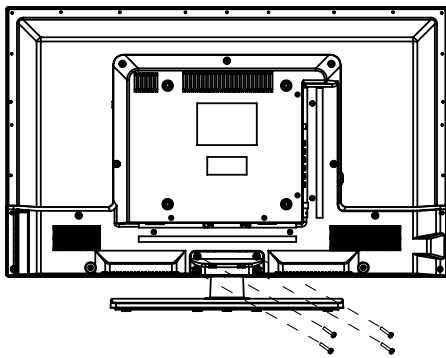
WALL MOUNT INSTALLATION

INSTALLING / REMOVING THE BASE STAND

WARNING : The LED Display is very fragile , and must be protected at all times when removing the base Stand.

Be sure that no hard or sharp object or anything that could scratch or damage the LED display comes into contact with it. Do NOT exert pressure on the front of the unit at any time because the screen could crack.

1. Disconnect all cables or cords connected to the unit.
2. Lay the unit down on a flat surface with the back side facing up. Please make sure to place a soft cushioned material(such as a pillow or thick piece of foam)beneath the screen.
3. To remove the base stand , loosen screws off the holes then pull downwards to release the base stand

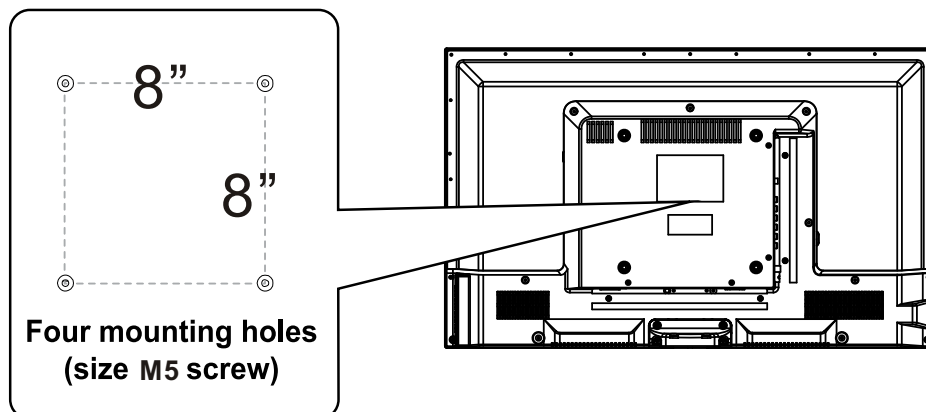


MOUNTING ON THE WALL

This unit is VESA-compliant, and is designed to be wall-mounted with a VESA-compliant 8" x 8" (200mm x 200mm) mounting kit designed for flat-panel TVs (not supplied). Mount this unit according to the instructions included in the mounting kit. Length of screw should not exceed 8 mm.

NOTE

Remove the base stand before mounting the unit on the wall.



INITIAL SETUP

PUTTING THE UNIT ON A PROPER PLACE

When you turn on your television set for the first time, be sure to place it on a solid stable surface.

To avoid danger, do not expose the TV to water, or a heat source (e.g. lamp, candle, radiator).

Do not obstruct the ventilation grid at the rear and be sure to leave sufficient gaps around the unit.



TURNING THE UNIT ON FOR THE FIRST TIME

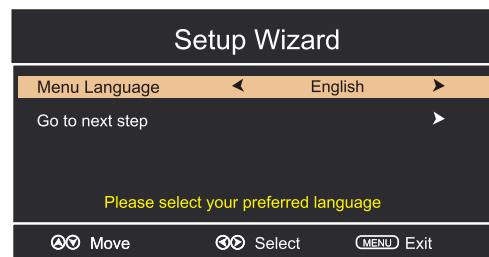
After you have initially connected your TV antenna or cable, turn the television ON.

A screen will display asking you to run a **Channel Auto Scan** to search and receive available local digital channels.

It is here where you will select antenna options and run **Channel Auto Scan**.

Channels will be stored in the TV tuner.

Press the **MENU** button on the remote control. Using the ◀▶ buttons, scroll to highlight channel mode. Press the ▼ button to highlight AIR/CABLE.

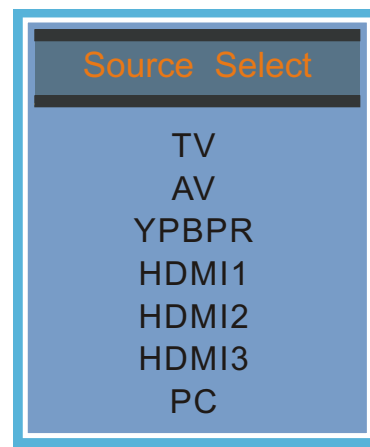


SOURCE SELECTION

1. Press the **SOURCE** button on the remote control.
2. Use the ▲ or ▼ button to select the options (TV, AV, YPBPR, HDMI1, HDMI2, HDMI3, PC)

and select any of them using the ▶ button or the **ENTER** button.
(The screen will change to your desired source).

Note:
Before watching please make sure all necessary cables and devices are connected.

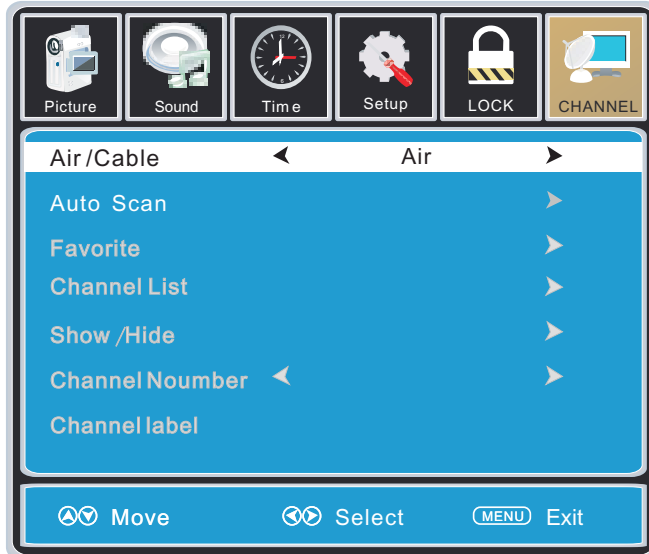


TV SETUP

CHANNEL MENU

Press **MENU** button to display the main menu.

Press ◀ / ▶ button to select **CHANNEL** in the main menu, it will highlight the first option.



AIR / CABLE

This feature allows you to switch between air (such as using antenna) and cable.

AUTO SCAN

This feature searches channels automatically for you.

FAVORITES

This feature gives the favorite list of channels added by you.

CHANNEL LIST

This feature shows the list of stored channels.

SHOW / HIDE

This feature tells you if you have chosen for channel to be skipped.

CHANNEL NUMBER

This feature tells you what channel you are currently on.

CHANNEL LABEL

This feature changes the name of the channel.

Please Note:

The channel options are only available when you select TV as your SOURCE.

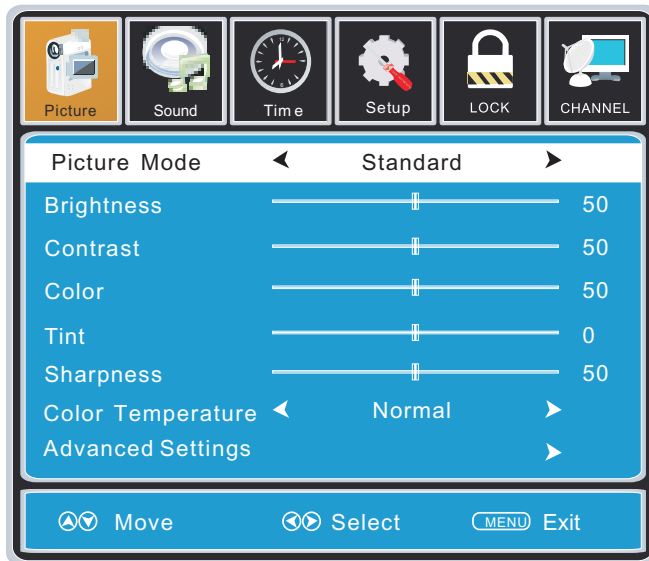
When you open the OSD menu on other sources (HDMI, AV, Component, PC, Media) these options will be grayed out.

TV SETUP

PICTURE MENU

Press **MENU** button to display the main menu.

Press ◀ / ▶ button to select **PICTURE** in the main menu, it will highlight the first option.



PICTURE MODE

This feature changes various color modes for the TV.

BRIGHTNESS

This feature changes the picture's detail in dark colors.

CONTRAST

This feature changes the difference between dark and bright objects.

COLOR

This feature changes the amount of color in the picture.

TINT

This feature changes the white balance of the color.

SHARPNESS

This feature changes the picture quality.

COLOR TEMPERATURE

This feature adjusts the color temperature of the TV, giving warm, normal, cool.

ADVANCED SETTINGS

a) ASPECT RATIO This feature changes the various aspects of the TV's video. (Aspects include wide, zoom, cinema, normal).

b) NOISE REDUCTION This feature reduces general pixilation by blurring them.

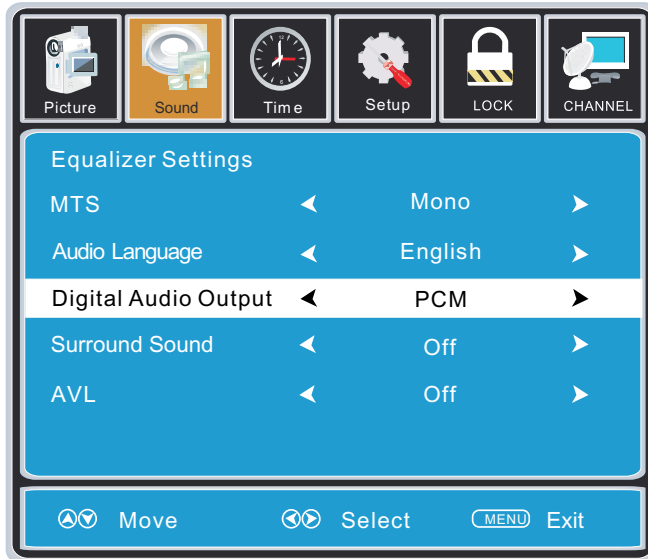
c) DYNAMIC CONTRAST This feature allows the TV to automatically adjust the contrast of the TV depending on the picture you are viewing.

TV SETUP

SOUND MENU

Press **MENU** button to display the main menu.

Press ◀ / ▶ button to select **SOUND** in the main menu, it will highlight the first option.



EQUALIZER SETTINGS

This feature enables the internal equalizer of the speakers.

You can adjust the settings individually or use the presets (standard, music, movie, sports, user).

MTS

This feature adjusts the second audio programming in analog channels.

AUDIO LANGUAGE

This feature adjusts the digital second audio programming in digital channels.

DIGITAL AUDIO OUTPUT

This feature adjusts the digital audio output.

SURROUND SOUND

This feature adjusts the dimensional surround effect on or off (for built-in speakers only).

AVL

This feature adjusts the auto volume leveler enabling volume protection from overly loud commercials.

Please Note:

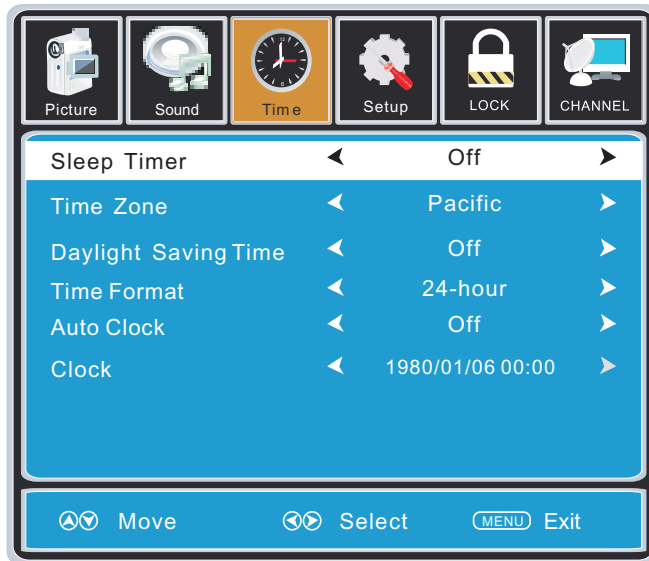
AUDIO LANGUAGE and MTS are dependent on the broadcasting station's support and are only available under the source TV.

TV SETUP

TIME MENU

Press **MENU** button to display the main menu.

Press ◀ / ▶ button to select **TIME** in the main menu, it will highlight the first option.



SLEEP TIMER

This timer automatically turns off the TV at the designated time.

TIME ZONE

This option adjusts the global time zone for the TV.

DAYLIGHT SAVING TIME

This option toggles the daylight saving time feature.

TIME FORMAT

This option adjusts the display format for the time. (IE. Under 24 hour format 1PM would display as 13:00).

AUTO CLOCK

This option enables the TV to sync time with the antenna.

(Put it on AUTO if you have an antenna attached to the TV. If you have CABLE or SATELLITE or anything else please use make sure AUTO CLOCK is turned off)

CLOCK

This option adjusts the time and date of the TV. You need to disable AUTOCLOCK in order to use this function.

Please Note:

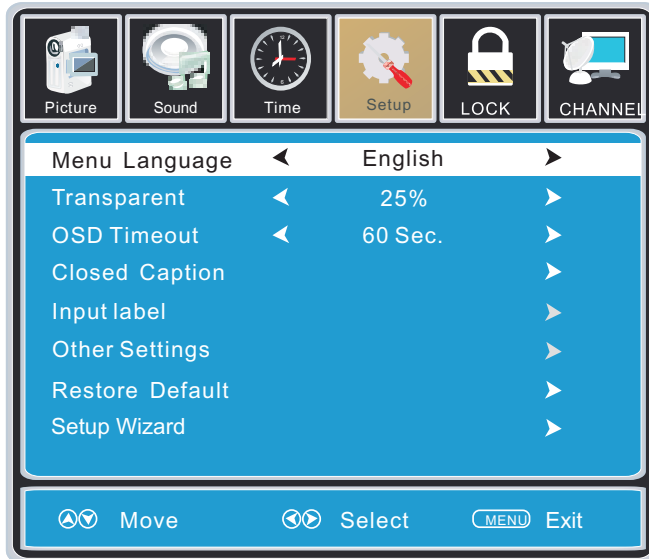
The TIME function will only keep accurate time if the TV is plugged into a power source. If the TV is unplugged or the power strip is turned off, the TV's time will not be accurate.

TV SETUP

SETUP MENU

Press **MENU** button to display the main menu.

Press ◀ / ▶ button to select **SETUP** in the main menu, it will highlight the first option.



MENU LANGUAGE

This option changes the language of the TV's OSD menu.

TRANSPARENT

This option changes the transparency of the menu allowing background TV images to show through.

OSD TIMEOUT

This option changes the time which the TV's OSD menu automatically goes off.

CLOSED CAPTION

This option displays words on the TV.

INPUT LABEL

This option changes the source names to your personal preference.

OTHER SETTINGS

This option adjusts miscellaneous options of the TV.

AUDIO ONLY-This option turns off the screen while the audio is still playing.

RESTORE DEFAULT

This option restores all the changes in the OSD menu back to the default factory settings.

SETUP WIZARD

This option enables the TV to show you the setup wizard of the TV again.

Please Note:

Closed captioning is only available under AV and TV ports.

Closed captioning depends on your TV program's support. Sometimes due to the TV channel or the signal, closed captioning will not be available.

In United States, closed captioning under analog signals is CC1.

In United States, closed captioning under digital signal is Service1.

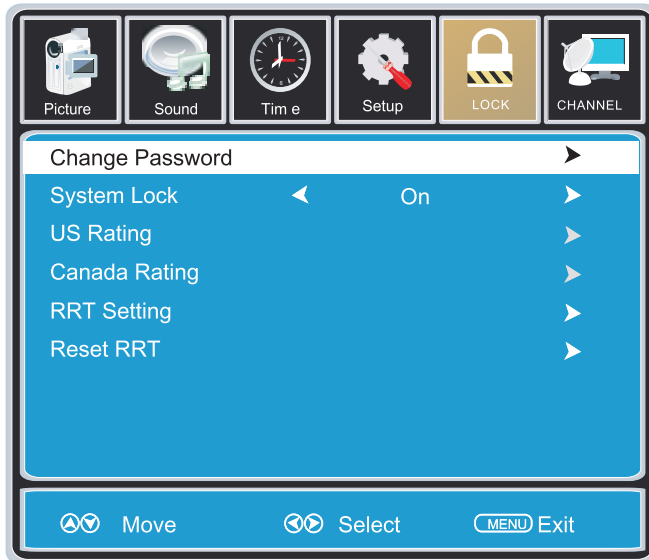
TV SETUP

LOCK MENU

Press **MENU** button to display the main menu.

Press ◀ / ▶ button to select LOCK in the main menu, it will highlight the first option.

Press "0000" for the lock password.



CHANGE PASSWORD

This option allows you to change the LOCK menu password.

SYSTEM LOCK

This option enables parental locking and filtering for the TV.

US RATING

This option filters US TV programming and movies.

CANADA RATING

This option filters CANADA TV ratings.

RRT SETTING -

This feature is a downloadable rating filter based on TV broadcasts. With the transition of TV broadcasts to digital, future changes, and enhancements in how TV shows are rated for content are possible.

RESET RRT

This option resets the RRT5 settings.

Please Note:

Please refer to RATINGS EXPLAINED for more information on ratings definitions.

Downloadable rating and clear downloadable data might be grayed out depending on the TVs ratings support.

RRT5 options are based on TV broadcasts, if it is grayed out, then it is not available in your region.

DISPLAY MODE

PC FORMATS

SUPPORTED PC INPUT MODE			
Resolution	Horizontal Scanning Frequency (KHz)	Vertical Scanning Frequency (Hz)	Format
640 X 480	31.5	60.0	DOS
800 X 600	35.1	56.2	VESA
800 X 600	37.9	60.0	VESA
1024 X 768	48.4	60.0	VESA
1360 X 768	47.7	60.0	VESA

NOTE:

This product does not support the display mode not listed above. In order to achieve the best display effect, please select the above-listed 5 display modes input signal.

Because of the difference of display drivers output signal (especially non-standard signal output), the display image may appear little disturbance which can be adjusted on the PC menu.

To prolong this unit's service life, please set your computer to power management mode.

DISPLAY MODE

VIDEO FORMATS

SUPPORTED COMPONENT / HDMI INPUT MODE			
Resolution	Horizontal Scanning Frequency (KHz)	Vertical Scanning Frequency (Hz)	Format
720 x 480	31. 47	59. 94	480 i
720 x 480	15. 734	59. 94	480 p
1280 x 720	37. 5	50	720 p
1280 x 720	45	60	720 p
1920 x 1080	31. 25	50	1080 i
1920 x 1080	33. 75	60	1080 i
1920 x 1080	27	24	1080 p
1920 x 1080	56. 25	50	1080 p
1920 x 1080	67. 50	60	1080 p

NOTE:

The above listed formats are also related to the AV devices you are about to connect. Before you connect this unit with others please read all instructions carefully and make sure all necessary cables are connected.

This unit may be incompatible with some other formats which are not meet the above conditions.

SPECIFICATION

Model Description		32"LED TV
Panel	Panel Type	LED Panel
	Diagonal Size	32 inches
	Screen Format	16:9
	Resolution	1366 x 768
	Brightness	300 nit
	Contrast	3000:1
	View Angle	176(H)/176(V)
	Response Time	6.5 ms
	Maximum Color	16.7M colors
Systems	Color System	ATSC/QAM/NTSC
	Sound System	M
	Audio System	BTSC
	Sound Output	L/R Speaker: 10 W + 10W
Input / Output Jacks	RF Input	75 ohm external terminal
	HDMI Input	Video: 480i, 480p, 720p, 1080i, 1080p. Audio: Two channel linear PCM 32, 44.1 and 48kHz, 16, 20 and 24 bits
	PC-RGB Input	D-sub 15pin G: 0.7Vp-p, 75ohms B: 0.7Vp-p, 75ohms R: 0.7Vp-p, 75ohms
	Composite Video Input	1.0 Vp-p, 75ohms RCA
	Component/Y Pb Pr Input	RCA Y: 1.0 Vp-p, 75ohms, 0.3V negative sync Pb: 0.7Vp-p, 75ohms Pr: 0.7Vp-p, 75ohms
	Sound Input	AV AUDIO: For CVBS/COMPONENT Audio input PC AUDIO: For PC RGB Audio input 500mV rms, Impedance: 20k ohms
Power	Power Requirement	100-240V~ 50/60Hz
	Rated Power Consumption	60 W

This manual is only for your reference.
Specifications are subject to update without prior notice.

TROUBLESHOOTING GUIDE

SYMPTOM	CAUSE (AND REMEDY)
TV	
Bad Picture (snow, multiple images distortion,blurry)	<ul style="list-style-type: none"> • Check the location of the antenna and adjust it if necessary. • Make sure the antenna cable is firmly connected. • Make sure all input cables are firmly connected.
No sound.	<ul style="list-style-type: none"> • Increase the volume. • Check whether the mute function has been activated on the Remote Control.
Black and White picture.	<ul style="list-style-type: none"> • Check the PICTURE setting within the PICTURE menu. • Check to make sure the program you are watching is broadcast in Color and not Black & White.
No picture or sound.	<ul style="list-style-type: none"> • Make sure the unit is plugged in and turned on. • Make sure that the ATV mode is selected. • Try a new channel to check for possible station trouble. • Make sure the antenna is connected properly. • Increase the volume. • Make sure the antenna or audio/video source device is working properly. • Make sure all cables are firmly connected. • Check for local interference.
Colored patches of picture.	<ul style="list-style-type: none"> • Make sure there are no unshielded electrical devices nearby that are causing interference. • Turn the TV off for 30 minutes, then try it again.
Panel function key does not respond correctly.	<ul style="list-style-type: none"> • Under the influence of electrostatic phenomenon, the product may malfunction and require user to power reset. • Unplug and re-plug the AC power cord.
The display monitor's panel goes hot.	<ul style="list-style-type: none"> • LED TV takes inside light phosphor. It may increase the temperature of the screen in some occasions. It's not a defect.
Unusual dots	<ul style="list-style-type: none"> • Black dots and Bright points may appear on the LED screen. This is a structural property of the LED panel and is not a defect.
Stripes on screen	<ul style="list-style-type: none"> • Adjust the impulse phase may decrease stripes. RGB in
The top of the monitor gets hot.	<ul style="list-style-type: none"> • It may occur during long-time working. It's not a defect.
Unable to select a certain channel.	<ul style="list-style-type: none"> • The channel may be skipped. Choose this channel by directly selecting the buttons from the remote control.
Disorder display at power on.	<ul style="list-style-type: none"> • This may be caused because of a very short interval between POWER OFF and ON. • Unplug the power and restart.

CONTENU

1	MISES EN GARDE DE SÉCURITÉ		1
2	CONSIGNES DE SÉCURITÉ IMPORTANTES		2
3	ACCESSOIRES		3
4	PRÉPARATIFS		3
5	GUIDE DE RÉFÉRENCE DES COMMANDES	Télécommande	4
		Vue De Devant	5
		Vue Arriere	5
		Vue Arriere	6
6	CONNEXIONS	Connexion Antenne	7
		Connexion AV	7
		Connexion Y Pb Pr	8
		Connexion HDMI	8
		Connexion VGA	9
		Connexion Headphone	9
		Branchement du cordon d'alimentation	9
		Connexion Coax(SPDIF)	10
7	MONTAGE MURAL		11
8	INSTALLATION RAPIDE	Mise De L'appareil Dans Une Place Propre	12
		Selection De Source	12
		Mise En Circuit Initiale De L'Appareil	12
9	RÉGLAGE INITIAL DU TÉLÉVISEUR	Menu Program(CHANNEL)	13
		Menu Image	14
		Menu Audio	15
		Menu Heure	16
		Menu Option	17
		Menu Verro(LOCK)	18

CONTENU

10	MODE D'AFFICHAGE	Formats Informatiques Formats Vidéo	19 20
15	CARACTÉRISTIQUES		21
16	GUIDE DE D PANNAGEE	Symptôme TV	22


CLASSE DE SECURITE : C'est un produit de la classe de sécurité I CEI et il doit être mis à la terre pour la sécurité.


MISES EN GARDE DE SÉCURITÉ

* LA MARQUE DE PRUDENCE A ETE LOCALISEE A LA CLOTURE INFERIEURE DE L'APPAREIL .



AVERTISSEMENT : POUR RÉDUIRE LE RISQUE D'UN CHOC ÉLECTRIQUE, NE PAS RETIRER LE COUVERCLE (NI LE DOS). AUCUNE PIÈCE NÉCESSITANT L'ENTRETIEN PAR L'UTILISATEUR À L'INTÉRIEUR. POUR RÉPARATION, S'ADRESSER À UN RÉPARATEUR QUALIFIÉ.

 Le symbole de l'icône et d'une flèche l'intérieur d'un triangle qui signifie qu'il y a une « tension dangereuse » non isolée à l'intérieur de l'appareil, suffisamment élevée pour causer un choc électrique.

 Le point d'exclamation à l'intérieur d'un triangle qui signifie qu'il y a des instructions importantes de fonctionnement et d'entretien (réparation) dans la documentation qui accompagne l'appareil.

MISE EN GARDE

• POUR RÉDUIRE LE RISQUE DE FEU OU DE DÉCHARGE ÉLECTRIQUE, NE PAS EXPOSER CET APPAREIL À LA PLUIE OU À L'HUMIDITÉ.

• EN CAS DE PROBLÈME, DÉBRANCHEZ LE CORDON D'ALIMENTATION CA ET ADRESSEZ-VOUS À UN PERSONNEL DE RÉPARATION QUALIFIÉ.

AVERTISSEMENT:

• POUR RÉDUIRE LE RISQUE DE FEU OU DE DÉCHARGE ÉLECTRIQUE, NE PAS EXPOSER CET APPAREIL À LA PLUIE OU À L'HUMIDITÉ. NE PAS PLACER DES OBJETS REMPLIS DE LIQUIDE SUR L'APPAREIL OU À PROXIMITÉ DE CELUI-CI.

• POUR ÉVITER LE RISQUE D'INCENDIE OU DE CHOC ÉLECTRIQUE, NE PAS EXPOSER CET APPAREIL À LA PLUIE OU À L'HUMIDITÉ. NE PAS PLACER DES OBJETS REMPLIS DE LIQUIDE SUR L'APPAREIL OU À PROXIMITÉ DE CELUI-CI.

• EN CAS DE PROBLÈME, DÉBRANCHEZ LE CORDON D'ALIMENTATION CA ET ADRESSEZ-VOUS À UN PERSONNEL DE RÉPARATION QUALIFIÉ.

EMPLACEMENT

- N'utilisez pas l'appareil dans les endroits extrêmement chauds, froids, poussiéreux ou humides.
- Laissez l'air circuler librement autour de l'appareil. Ne le couvrez pas avec du tissu et ne le placez pas sur un tapis ou de la literie.

SÉCURITÉ

- Lorsque vous branchez et débranchez le cordon CA, tenez la fiche et non le cordon. Le tirage du cordon peut l'endommager et créer un risque.
- Débranchez le cordon d'alimentation CA si vous n'allez pas utiliser l'appareil pendant une longue période de temps.

ENDROIT DE PLAQUE DE MODÈLE

La plaque de modèle est située sur le dessous de l'appareil.

RENSEIGNEMENTS FCC

REMARQUE : Cet appareil a été soumis à des tests et s'est révélé en conformité avec les limites pour un appareil numérique de classe B, conformément à la section 15 des règles de la FCC. Ces limites ont pour but d'assurer une protection raisonnable contre les interférences gênantes dans une installation résidentielle. Cet appareil génère, utilise et peut émettre des fréquences radio électriques, et s'il n'est pas installé et utilisé selon les instructions, il peut causer des interférences nuisibles aux radio communications. Cependant, il n'y a pas de garantie que des interférences ne se produiront pas dans une installation donnée. Si cet appareil cause des interférences nuisibles à la réception de la radio ou de la télévision, ce qui peut terminer en mettant l'appareil en et hors circuit, nous conseillons l'utilisateur l'une ou plusieurs des mesures correctives suivantes :

- Réorientez ou changez l'emplacement de l'antenne de réception.
- Augmentez la séparation entre l'appareil et le récepteur.
- Branchez l'appareil dans une prise sur un circuit différent de celui sur lequel le récepteur est branché.
- Adressez-vous au distributeur ou à un technicien qualifié de radio/télévision pour obtenir de l'aide.

AVERTISSEMENT:

Dès changements ou modifications apportés à cet appareil, non approuvés expressément par les responsables de la conformité, peuvent être l'utilisateur le droit d'utiliser cet appareil.

CONSIGNES DE SÉCURITÉ IMPORTANTES

- 1) Lisez ces instructions.
- 2) Conservez ces instructions.
- 3) Tenez compte de tous les avertissements.
- 4) Suivez toutes les instructions.
- 5) N'utilisez pas cet appareil à proximité de l'eau.
- 6) Utilisez seulement un chiffon sec pour nettoyer l'appareil.
- 7) Ne bloquez aucun des orifices d'aération. Installez l'appareil selon les instructions du fabricant.
- 8) N'installez pas l'appareil à proximité de sources de chaleur telles que radiateurs, registres de chaleur, poêles/cuisinières ou autres appareils (y compris amplificateurs) produisant de la chaleur.
- 9) Ne neutralisez pas le dispositif de sécurité d'une fiche polaire ou broche de mise à terre. Une fiche polaire comporte 2 broches dont une est plus large que l'autre. Une fiche mise à terre comporte 2 broches plus une 3e de mise à terre. La broche large ou la broche de mise à terre sont conçues pour votre sécurité. Si la fiche ne s'adapte pas à votre prise, adressez-vous à un électricien pour faire remplacer la prise obsolète.
- 10) Protégez le cordon d'alimentation pour qu'il ne soit pas soumis au passage de personnes ou coincé, particulièrement son point de contact avec la fiche. Les prises et le point de sortie de l'appareil.
- 11) Utilisez seulement les pièces/accessoires spécifiés par le fabricant.
- 12) Ne placez cet appareil que sur un chariot, un support, un tripié, une fixation ou une table recommandés par le fabricant ou vendus avec l'appareil. Manipulez avec prudence tout chariot sur lequel un appareil est placé pour éviter toute blessure en cas de renversement.
- 13) Débranchez cet appareil durant les orages ou s'il ne va pas être utilisé pendant une longue période de temps.
- 14) Confiez toute réparation à un personnel qualifié. Une réparation s'impose si l'appareil a subi un dommage d'une façon quelconque, si le cordon d'alimentation ou la fiche sont endommagés, s'il y a eu un épanchement de liquide ou d'un objet dans l'appareil, si ce dernier a été exposé à la pluie ou de l'humidité, s'il ne fonctionne pas normalement ou s'il est tombé.
- 15) Para impedir las descargas eléctricas, asegúrese de que la patilla de puesta a tierra de la clavija del cable de alimentación de CA esté firmemente conectada.



ACCESSOIRES

Veillez vérifier et identifier les accessoires compris.

Télécommande.....	x 1
Piles AA	x 2
Gâ rantie Limitée.....	x 1
Manuel D'utilisation.....	x 1
Stand de base et de 5 vis	x 1
Tournevis	x 1

PRÉPARATIFS

UTILISATION DE LA TÉLÉCOMMANDE

Pointez la télécommande vers le CAPTEUR DE TÉLÉCOMMANDE situé sur l'appareil.

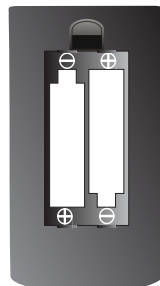
Quand il y a une source légère, ambiante et forte, l'exécution du détecteur éloigné infrarouge peut être dégradé, causant l'opération peu fiable.

La distance efficace conseillée pour le fonctionnement de la télécommande est d'environ 16 pi (5 m).

POSE DES PILES DE LA TÉLÉCOMMANDE

1. Ouvrez le compartiment des piles.

2. Insérez deux piles AA.



REMPACEMENT DES PILES

Quand les piles s'affaiblissent, la distance de fonctionnement de la télécommande baisse considérablement et il faut les remplacer.



MISE EN GARDE: Risque d'explosion si la pile est remplacée par un modèle incorrect.

REMARQUES:

- Si vous n'allez pas utiliser la télécommande pendant une longue période de temps, retirez les piles pour éviter le risque de corrosion en cas de fuite.
- Ne mélangez pas ensemble des piles déjà utilisées et des piles neuves. Ne mélangez pas des piles ALCALINES, standard (CARBONE-ZINC) et des piles rechargeables (NICKEL-CADMIUM).
- Retirez toujours les piles dès qu'elles commencent à s'épuiser.
- Des piles affaiblies peuvent fuir et grandement endommager la télécommande.

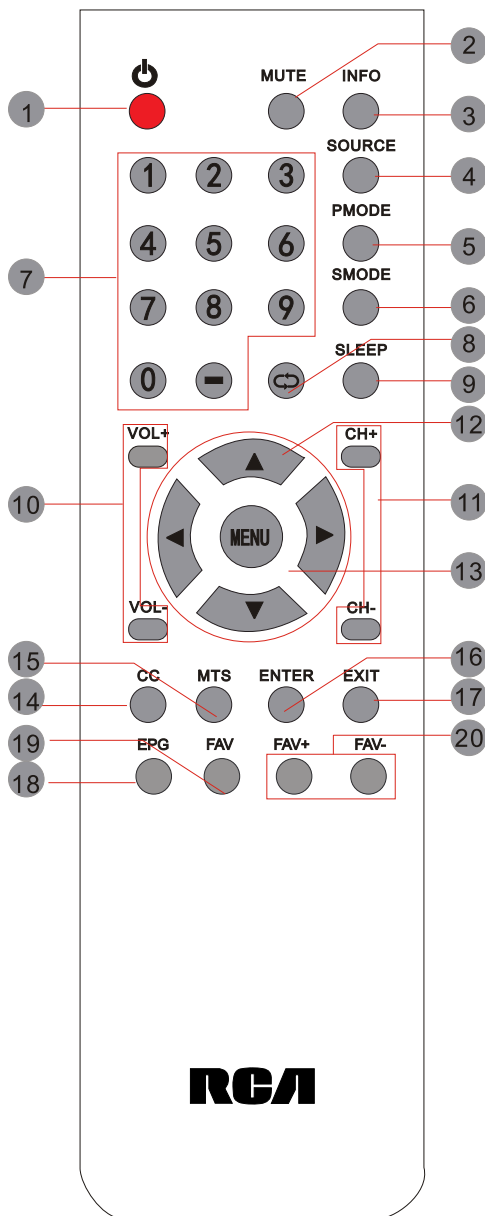


AVERTISSEMENT:

- Ne vous débarrassez pas de piles en les jetant dans un feu car elles pourraient fuir et/ou exploser.
- Les piles ne seront pas exposées à la chaleur excessive comme le soleil, le feu ou l'aimé.

GUIDE DE REFERENCE DES COMMANDES

TÉLÉCOMMANDE

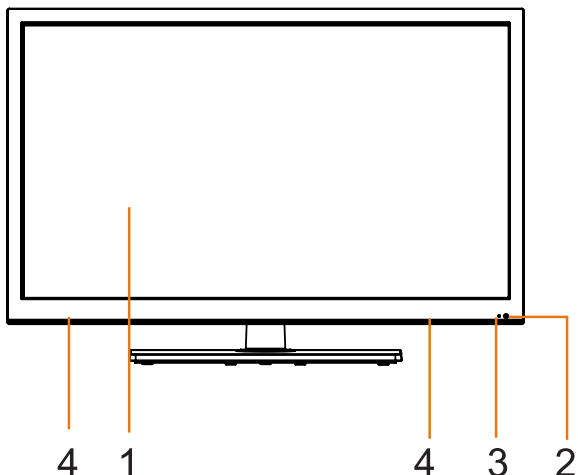


Universal Remote Code: 1218
(Universal Remote Control n'est pas inclus.)

1. EN VEILLE
Pour allumer la Télé ou mettre la Télé en mode veille.
2. MUTE
Appuyez ce bouton pour rendre le son muet ou restaurer le son muet.
3. INFO
Affiche les informations du programme que vous regardez.
4. SOURCE
Appuyez ce bouton pour sélectionner une entrée source.
5. PMODE
Appuyez ce bouton pour sélectionner un mode d'image pour différents qualités d'images.
6. SMODE
Appuyez ce bouton pour sélectionner le réglage de son pour différents effets sonores.
7. 0-9
Vous permet de changer la chaîne de la Télé.
8. ↻
Changer entre les chaînes précédent et actuel.
9. SLEEP
Pour configurer la durée de temps avant que la Télé s'éteigne automatiquement.
10. VOL+/VOL-
Augmente/diminue le volume.
11. CH+/CH-
Pour aller à la chaîne suivante/précédente en mode Télé.
12. Haut/Bas/Gauche/Droite
Pour déplacer le curseur vers le haut/vers le bas/vers la gauche/vers la droite quand vous faites un choix.
13. MENU
Affiche le Menu OSD de la Télé.
14. CC
Appuyez le bouton pour entrer en mode CC.
15. MTS
Pour changer entre STEREO, MONO et SAP. S'il n'y a aucun langage valable pour le signal réceptionné, l'audio de l'LED Display changera en mono.
16. ENTER
Appuyez sur pour confirmer les sélections sur un écran de menu.
17. EXIT
Appuyez ce bouton pour quitter ce qui est affiché à l'écran.
18. EPG
Appuyez sur ce bouton pour sélectionner le guide électronique des programmes en mode DTV.
19. FAV
Appuyez sur ce bouton pour afficher la liste des favoris.
20. FAV+/FAV-
Appuyez sur ce bouton pour passer par la liste de canaux FAV.

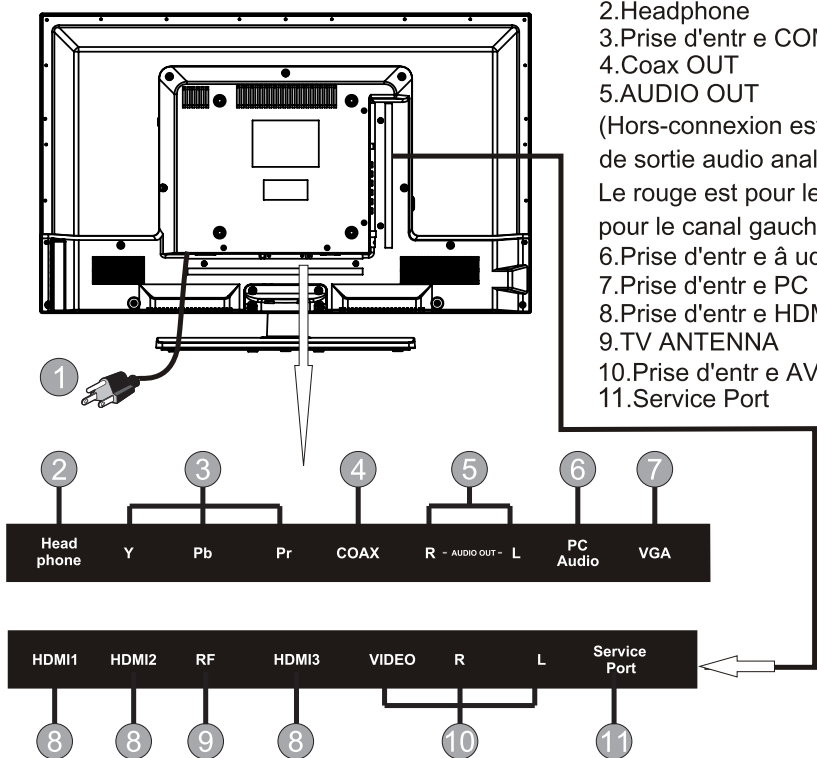
GUIDE DE REFERENCE DES COMMANDES

VUE DE DEVANT



1. rân couleur à C.L.
2. Câpteur de t l c ommânde
Ne bloquez pâs l'âcc s c e câpteur
sinon lâ t l c ommânde ne
fonctionne pâs.
3. Indicateur STANDBY
Indique si l'appâreil est EN CIRCUIT
ou en mode de VEILLE (hors circuit).
Voyant allumâ : L'appareil est en
standby.
Voyant âteint : L'appareil est allumâ.
4. Hâut-pârleurs

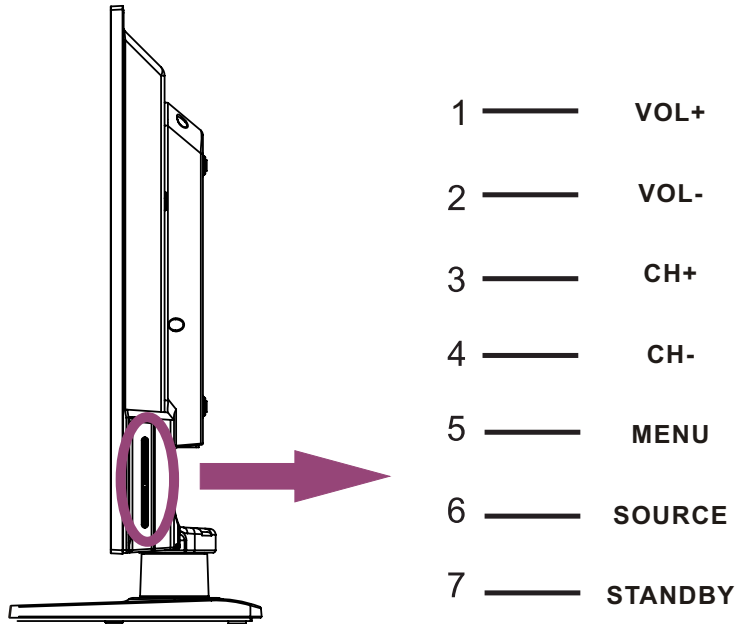
VUE ARRIERE



1. Cordon d'alimentation
2. Headphone
3. Prise d'entr e COMPONENT IN
4. Coax OUT
5. AUDIO OUT
(Hors-connexion est cet audio pour l'envoi signal
de sortie audio analogique à l'équipement 2e.
Le rouge est pour le canal droit, le blanc est
pour le canal gauche.)
6. Prise d'entr e â udio PC
7. Prise d'entr e PC IN VGA
8. Prise d'entr e HDMI
9. TV ANTENNA
10. Prise d'entr e AV
11. Service Port

GUIDE DE REFERENCE DES COMMANDES

VUE ARRIERE



1. Touche VOL+

Pressez pour diminuer le niveau sonore.

2. Touche VOL-

Pressez pour augmenter le niveau sonore.

3. Touche CH+

Appuyez pour changer les chaînes de télévision et plus sélections de faits saillants sur l'écran du menu.

4. Touche CH-

Appuyez pour changer les chaînes de télévision et vers le bas sélections de faits saillants sur l'écran du menu.

5. Touche MENU

Pressez pour accéder au menu TV et en sortir.

6. Touche SOURCE

Appuyez sur pour sélectionner la source d'entrée.

7. Touche STANDBY

Appuyez pour allumer l'unité ou la placer en mode VEILLE (OFF).

CONNEXIONS

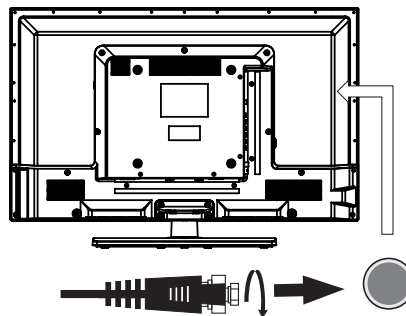
CONNEXION D'UNE ANTENNE TV / CABLE / SATELLITE

Pour capter les chaînes de télévision adéquates, il faut recevoir un signal provenant de l'une des sources suivantes:

- Antenne intérieure ou extérieure
- Réseau de cablodistribution
- Réseau satellitaire

REMARQUE

Nous conseillons l'utilisation d'une antenne fixe extérieure pour la réception de missions TV provenant d'une antenne météorologique. Si vous devez utiliser une antenne temporaire, assurez-vous d'en acheter une d'une capacité suffisante pour capter les signaux faibles. Une antenne temporaire ne reproduit le signal aussi efficacement qu'une antenne fixe que lorsque l'appareil est proche d'un émetteur.



Cable de satellite, cablodistribution ou antenne de télévision dans la borne TV ANTENNA (cable non compris)

CONNEXION D'UN COMPOSANT A/V

Raccordement d'un appareil auxiliaire tel que magnétoscope, caméscope, système satellite, cablodistribution, etc.

RACCORDEMENT D'APPAREILS SORTIE VIDEO COMPOSITE (JAUNE TYPE RCA)

Raccordement d'appareils A/V tels que magnétoscope, jeu vidéo ou caméscope :

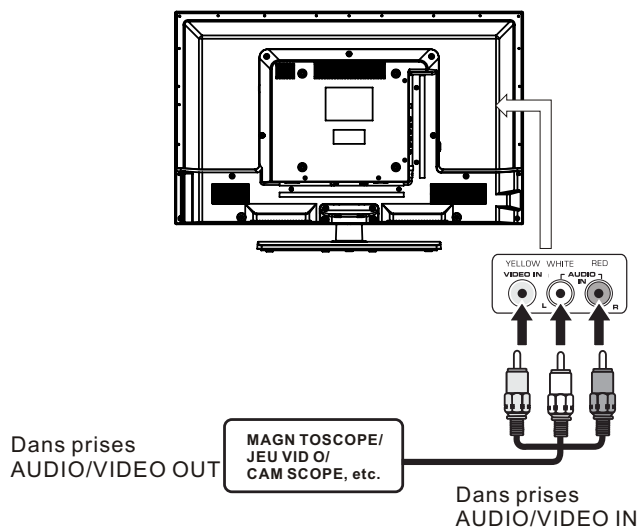
Connexion un magnétoscope / jeu vidéo / caméscope

Raccordez un câble AUDIO / VIDEO (non compris) comme montré :

Assurez-vous de raccorder le câble du composant (AUDIO et VIDEO OUT) aux entrées AV IN de cet appareil.

REMARQUE

Veillez vous reporter au manuel d'utilisation du composant auxiliaire pour de plus amples renseignements.



CONNEXIONS

RACCORDEMENT D'UNE SOURCE HAUTE DÉFINITION (HD) À L'AIDE D'UNE CONNEXION DE COMPOSANT

Les appareils haute définition (HD) sortie vidéo en composantes se raccordent l'entrée YUV :

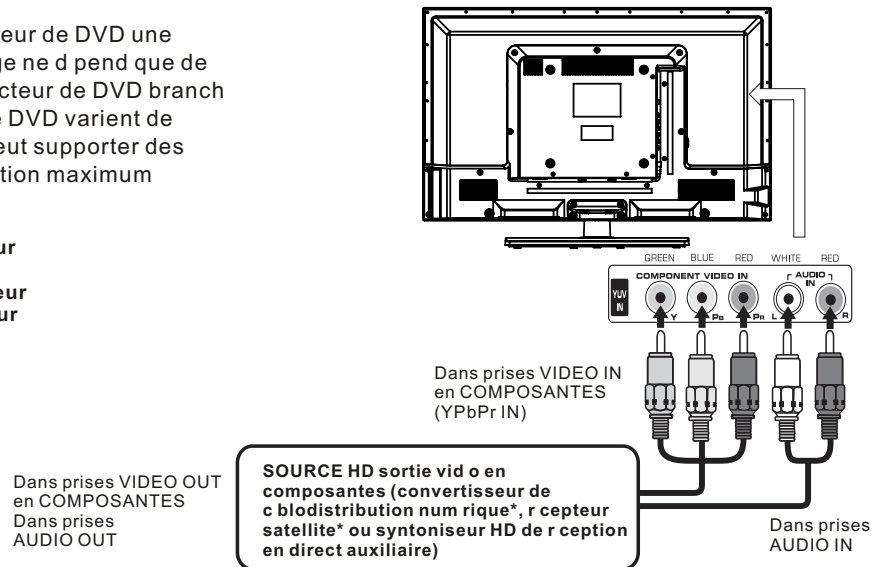
Raccordez un câble vidéo en composantes et un câble audio (non compris) comme montré

Assurez-vous de raccorder le câble vidéo en composantes et le câble audio de l'appareil auxiliaire (Y Pb Pr OUT et AUDIO OUT) cet appareil COMPONENT.

REMARQUE

Quand vous connectez un lecteur de DVD en télévision, la résolution de l'image ne dépend que de la résolution supportée par le lecteur de DVD branché. Les résolutions des lecteurs de DVD varient de 480i, 1080i, et cette télévision peut supporter des lecteurs DVD jusqu'à une résolution maximum de 1080i.

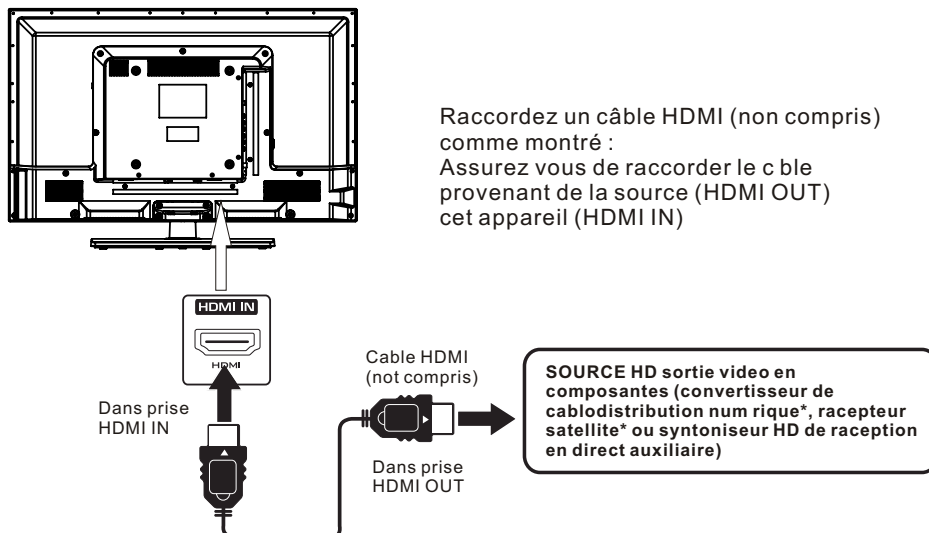
*Peut exiger un abonnement pour la réception de chaînes HD. Vérifiez auprès de votre fournisseur de câblodistribution/satellite pour de plus amples détails.



RACCORDEMENT D'UNE SOURCE HAUTE DÉFINITION (HD) À L'AIDE D'UNE CONNEXION HDMI

La liaison HDMI (Interface multimédia haute définition) supporte les signaux vidéo et audio grâce à une seule connexion numérique pour utilisation avec lecteurs DVD, téléviseurs numériques, boîtiers décodeurs et autres appareils AV numériques. La liaison HDMI a été mise au point pour offrir les technologies de protection de contenu numérique à bande passante élevée (HDCP) ainsi que l'interface vidéo numérique (DVI) en une spécification. Le HDCP sert à protéger le contenu numérique émis et capté par des affichages conformes à DVI ou HDMI.

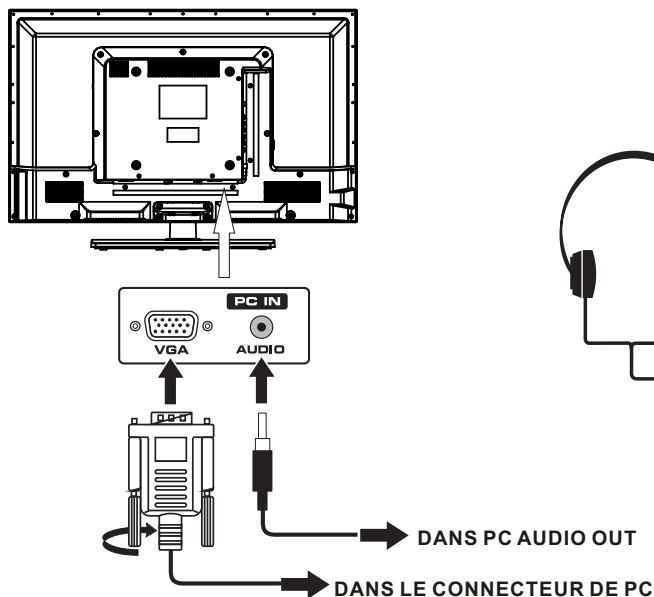
La liaison HDMI permet le support de signal vidéo standard, amélioré ou haute définition plus le support de signal audio allant de standard à ambiophonique multi-canaux. La liaison HDMI procure un signal vidéo numérique non comprimé, bande passante jusqu'à 2,2 Go/s (à signaux HDTV), un connecteur (au lieu de plusieurs câbles et connecteurs), et la communication entre la source AV et les appareils AV tels que des téléviseurs numériques.



CONNEXIONS

CONNEXION D'UN PC

Raccordez le connecteur D-SUB PC/VGA 15 broches de votre ordinateur l'entrée D-SUB PC/VGA 15 broches sur cet appareil l'aide d'un câble pour moniteur et d'un câble audio (non compris) comme montré. Assurez-vous de raccorder le câble de l'ordinateur (PC Connector et AUDIO-PC out) cet appareil (VGA et AUDIO - PC IN).

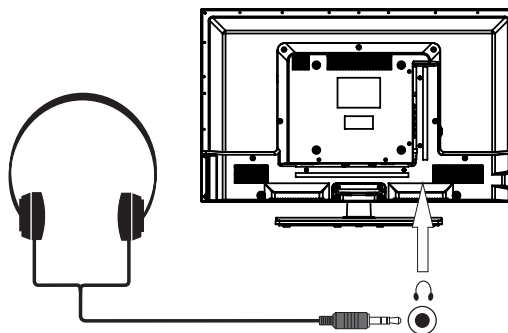


CONNECTING HEADPHONES

- Baissez le volume avant de brancher le casque d'écoute, puis réglez le volume au niveau désiré.
- Quand un casque d'écoute est branché, aucun son ne provient des haut-parleurs avant.

REMARQUE

Évitez d'écouter des sons à un niveau élevé pendant une longue période de temps. Ceci peut vous être nuisible et entraîner une perte d'ouïe.



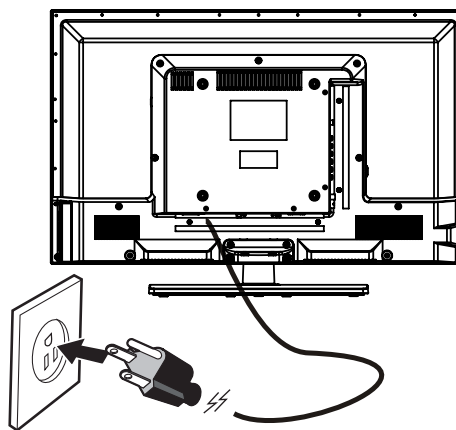
Casque d'écoute
(fiche diamètre de 1/8 po [3,5 mm])
non compris

RACCORDEMENT DU CORDON D'ALIMENTATION

Vous pouvez allumer votre poste de télévision avant de vous assurer que le cordon d'alimentation est inséré well. At le même temps, s'il vous plaît vérifiez que la tension nominale de votre appareil corresponde à la tension locale.

REMARQUE

- Inserte el enchufe de alimentaci n completamente en la toma de corriente Si el enchufe estuviese flojo podr a generar calor y causar un incendio.)
- Cercise de que el enchufe est firmemente accesible
- Cercise de que el terminal de puesta a tierra del enchufe de alimentaci n est conectado con seguridad para evitar descargas el tricas.
- No toque el enchufe de alimentaci n con las manos hmedas Esto podr a causar una descarga el trica.)
- No utilice ning n cable de alimentaci n que no sea el suministrado con este TV.
(Esto podr a causar una descarga el trica.)
- No da e el cable de alimentaci n Un cable da ado podr a causar un incendio o descarga el trica.)
- No mueva el TV con el cable de alimentaci n enchufado en una toma de corriente.
- No coloque ning n objeto pesado sobre el cable de alimentaci n, ni coloque este cerca de un objeto de gran temperatura.
- No retuerza el cable, no lo doble excesivamente, ni lo estire.
- No tire del cable. Sujételo por el enchufe de alimentaci n cuando vaya a desconectarlo.
- No utilice un enchufe de alimentaci n ni una toma de corriente daados.



Vers une prise murale

CONNEXIONS

Connecter à un Système d'Audio de Théâtre Domestique

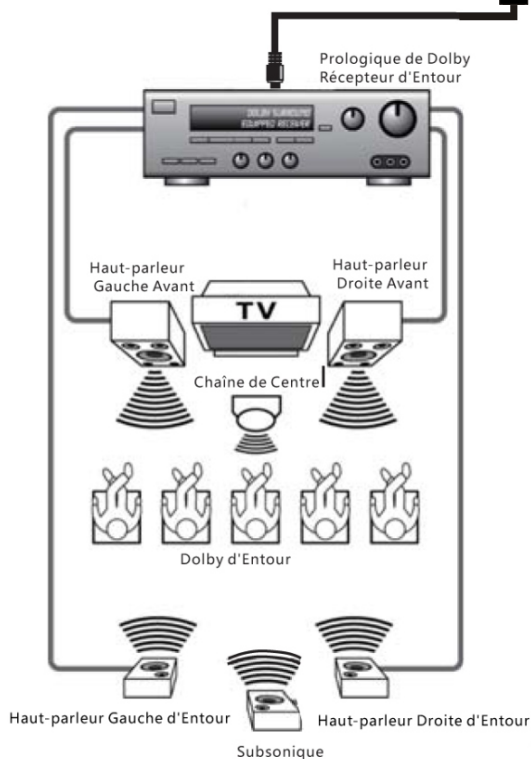
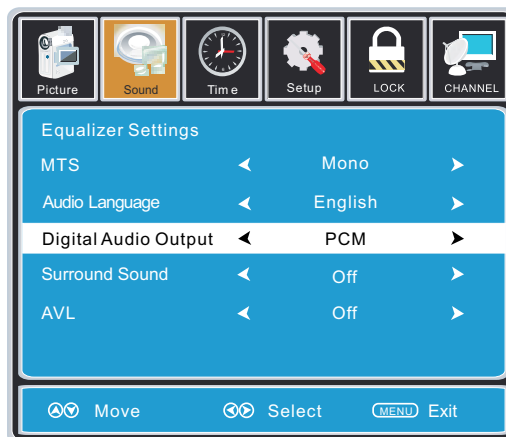
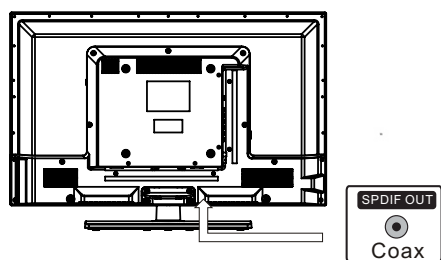
Pour la MEILLEURE performance d'audio

Connecter à un Système de Théâtre Domestique
Le Dolby Numérique permet de délivrer la stéréo de 2 chaînes optimale ou la stéréophonie avec 5 chaînes discrètes de gamme complète plus d'une sixième chaîne pour le diffuseur subsonique. Appréciez la reproduction d'audio optimale à l'aide de votre système avec un amplificateur de Dolby Numérique en incorporant une entrée coaxiale numérique. Connectez un câble numérique optionnel directement à la sortie d'audio Coax de télévision afin d'écouter par l'intermédiaire de toutes les entrées à l'exception de VGA.

Comment Régler la Sorite Numérique

Appuyez sur le bouton MENU sur la télécommande. Appuyez sur le bouton de flèche droite▶ pour sélectionner AUDIO.

Appuyez sur le bouton de flèche basse▼ pour souligner le type SPDIF ▶ Raw ou PCM*.



Câble numérique optionnel

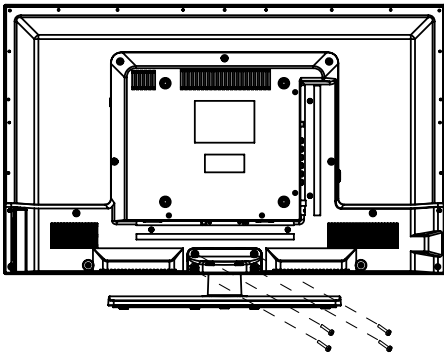
NOTE: Référez-vous au Manuel d'Utilisateur associé à votre équipement de théâtre domestique pour les configurations d'audio recommandées.

MONTAGE MURAL

MONTER / DEMONTER LE STAND DE BASE

AVERTISSEMENT: L'écran est très fragile, et doit être protégé à tout moment lors de la dépose du support de base. Veillez à éviter tout contact entre tout objet dur, pointu ou susceptible d'égratigner ou d'endommager l'écran. N'exercez PAS de pression, à aucun moment, sur l'arrière de l'appareil car ceci pourrait fêler l'écran.

1. Débranchez tout câble ou cordon de l'appareil.
2. Posez l'appareil sur une surface plate, de façon que l'arrière soit face vers le haut, et placez un article doux et coussiné (tel une couverture ou de la mousse épaisse) sous l'écran.
3. Pour démonter le stand de base, desserrez les vis des trous et puis mettez-le au dos pour enlever le stand de base.

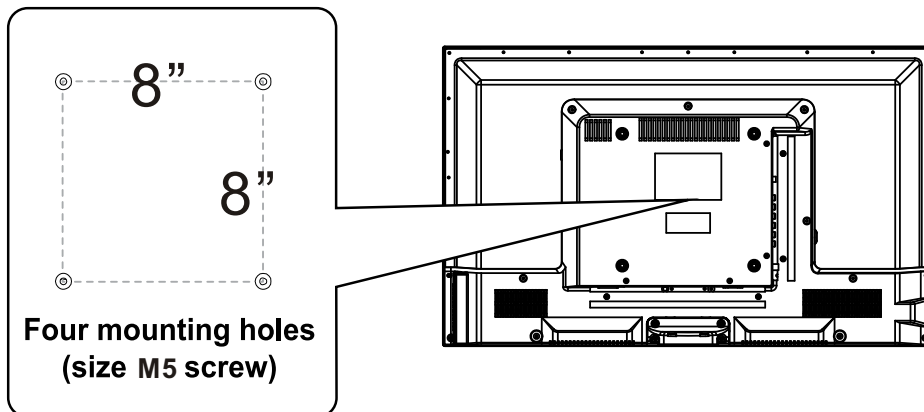


MONTAGE SUR LE MUR

Cet appareil à conformité VESA est conçu pour se poser au mur à l'aide d'un nécessaire de pose conforme à VESA de 8" x 8" po (200 mm x 200 mm) destiné aux téléviseurs à écran plat (vendu séparément). Posez cet appareil selon les instructions comprises avec le nécessaire de pose. Longueur de la vis ne doit pas dépasser 8 mm.

REMARQUE

Démontez le stand de base avant le montage mural de l'appareil.



INSTALLATION RAPIDE

MISE DE L'APPAREIL DANS UNE PLACE PROPRE

Placez votre appareil sur une surface stable avant la mise en circuit initiale.

Pour éviter un risque de danger, n'exposez pas ce téléviseur de l'eau ni une source de chaleur (par ex.: Lampe, bougie, radiateur).

Ne bloquez pas la grille d'aération l'arrière et laissez des espaces libres suffisants tout autour de l'appareil, comme montré ci-dessous.



MISE EN CIRCUIT INITIALE DE L'APPAREIL

Après avoir initialement connecté votre antenne de TV ou câble (boîte de haut non établie), allumez le téléviseur.



Un écran s'affichera et vous demandera de fonctionner un CHANNEL AUTO SCAN pour chercher et recevoir les chaînes numériques disponibles. C'est là où vous sélectionnez les options de l'antenne et fonctionner le CHANNEL AUTO SCAN.

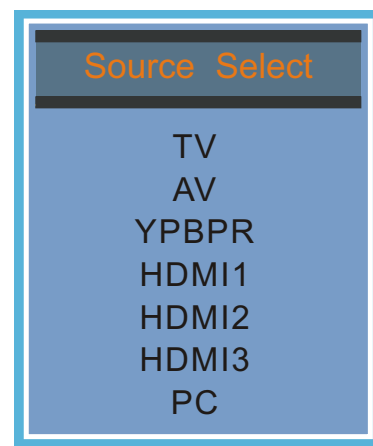
Les chaînes seront conservées dans le tourneur de TV. Pressez le touche MENU sur la télécommande. Utilisez les touches ◀▶ pour défiler et souligner le mode channel. Pressez le touche ▼ pour souligner AIR / CABLE.

SELECTION DE SOURCE

1. Pressez le touche SOURCE sur la télécommande.
2. Utilisez le touche ▲ ou ▼ pour sélectionner les options (TV, AV, YPBPR, HDMI1, HDMI2, HDMI3, PC) et sélectionner un des eux en utilisant le touche ▶ ou le touche ENTER.
(L'écran changera à la source que vous désirez).

REMARQUE

Avant de regarder, veuillez vous assurer que tous les câbles et tous les dispositifs nécessaires sont connectés.

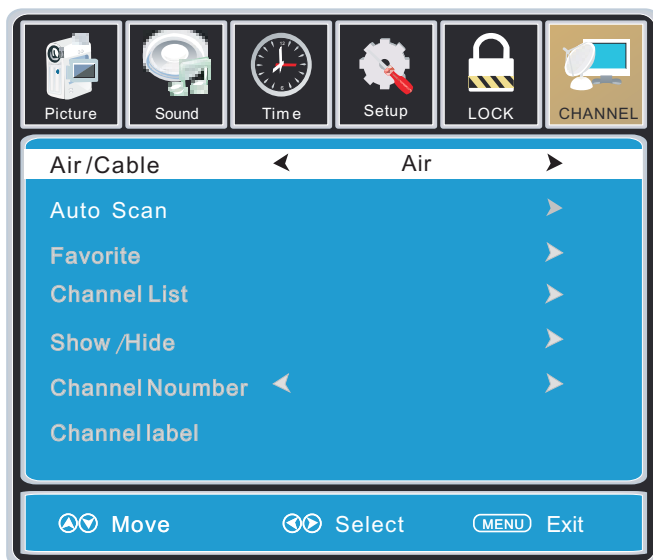


R GLAGE INITIAL DU T L VISEUR

MENU CHANNEL

Appuyez sur le bouton MENU pour afficher le menu principal.

Appuyez sur ◀ / ▶ pour sélectionner CHANNEL dans le menu principal, il mettra l'accent sur la première option.



AIR / CABLE

Cette fonction vous permet de basculer entre l'air (comme l'utilisation de l'antenne) et le câble.

AUTO SCAN

Cette fonction recherche automatiquement les canaux pour vous.

FAVORIS

Cette fonction donne la liste des favoris de chaînes ajoutées par vous.

LISTE DES CHAÎNES

Cette fonction affiche la liste des chaînes mémorisées.

AFFICHER / MASQUER

Cette fonction vous indique si vous avez choisi pour le canal à sauter.

NUMERO DE CHAINE

Cette fonction vous indique quel canal vous trouvez actuellement.

LABEL CANAL

Cette fonction permet de modifier le nom du canal.

S'il vous plaît noter:

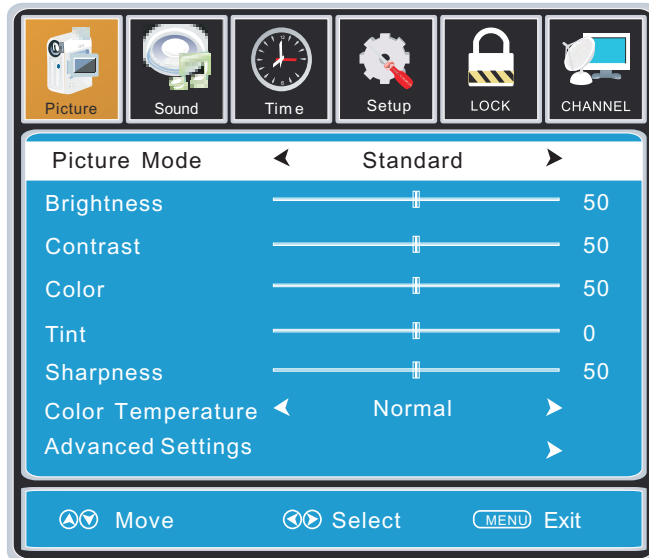
Les options de canaux ne sont disponibles que lorsque vous sélectionnez TV comme source. Lorsque vous ouvrez le menu OSD à d'autres sources (HDMI, AV, Composante, PC, Media), ces options seront grisées.

R GLAGE INITIAL DU T L VISEUR

MENU IMAGE

Appuyez sur le bouton MENU pour afficher le menu principal.

Appuyez sur la touche ◀ / ▶ pour sélectionner IMAGE dans le menu principal, il mettra l'accent sur la première option.



MODE IMAGE

Cette fonction permet de modifier différents modes de couleur du téléviseur.

LUMINOSITÉ

Cette fonction modifie détails de l'image dans des couleurs sombres.

CONTRASTE

Cette fonction modifie la différence entre les objets sombres et claires.

COULEUR

Cette fonction permet de modifier la quantité de couleur dans l'image.

TEINTE

Cette fonction permet de modifier la balance des blancs de la couleur.

NETTETÉ

Cette fonction permet de modifier la qualité d'image.

TEMPÉRATURE DE COULEUR

Cette fonction permet de régler la température de couleur du téléviseur, ce qui donne chaud, normal, cool.

RÉGLAGES AVANCÉS

a) **FORMAT** Cette fonction permet de modifier les différents aspects de la vidéo du téléviseur. (Aspects à inclure large, zoom, cinéma, normal).

b) **Réduction du bruit** Cette fonction réduit la pixellisation en général en se brouillant.

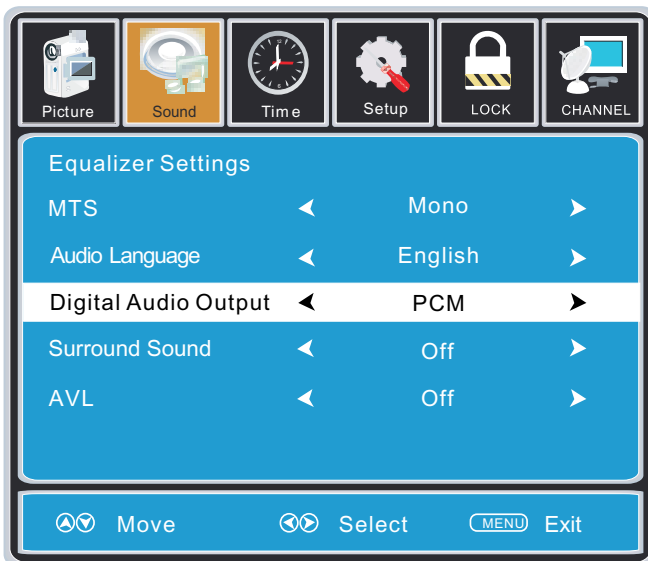
c) **CONTRASTE DYNAMIQUE** Cette fonction permet au téléviseur d'ajuster automatiquement le contraste du téléviseur en fonction de l'image que vous visualisez.

RÉGLAGE INITIAL DU T L VISEUR

MENU SON

Appuyez sur le bouton MENU pour afficher le menu principal.

Appuyez sur ◀ / ▶ pour sélectionner SON dans le menu principal, il mettra l'accent sur la première option.



RÉGLAGES DE L'ÉGALISEUR

Cette fonctionnalité permet à l'égaliseur interne des haut-parleurs.

Vous pouvez régler les paramètres individuellement ou utiliser les presets (standard, musique, cinéma, sport, utilisateur).

MTS

Cette fonction permet de régler la programmation audio secondaire dans les canaux analogiques.

LANGUE AUDIO

Cette fonction permet de régler la programmation numérique audio secondaire dans les canaux numériques.

SORTIE AUDIO NUMERIQUE

Cette fonction permet de régler la sortie audio numérique.

SURROUND SOUND

Cette fonction permet de régler l'effet surround tridimensionnel ou désactiver (pour haut-parleurs seulement).

AVL

Cette fonction permet de régler le niveleur automatique de volume qui permet de protéger le volume de publicités excessivement bruyants.

S'il vous plaît noter:

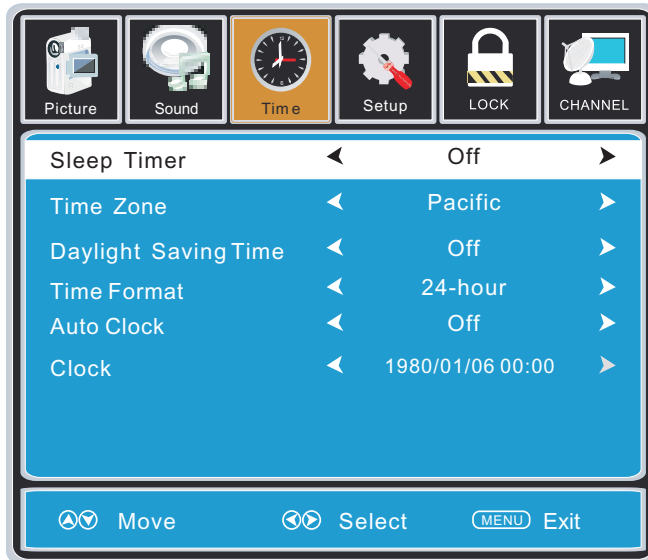
LANGUE AUDIO MTS et dépendent de l'appui de la station de radiodiffusion et ne sont disponibles que sous la source TV.

R GLACE INITIAL DU T L VISEUR

HEURE MENU

Appuyez sur le bouton MENU pour afficher le menu principal.

Appuyez sur ◀ / ▶ pour sélectionner HEURE dans le menu principal, il mettra l'accent sur la première option.



SLEEP TIMER

Cette minuterie coupe automatiquement le téléviseur hors tension à l'heure prévue.

TIME ZONE

Cette option permet d'ajuster le fuseau horaire mondial pour le téléviseur.

L'heure d'été

Cette option active ou désactive la fonction heure d'été.

FORMAT DE L'HEURE

Cette option permet de régler le format d'affichage de l'heure. (Format IE. Under 24 heures 13 heures afficherait devient 13:00).

HORLOGE AUTO

Cette option permet au téléviseur de synchroniser le temps avec l'antenne. (Mettez-le sur AUTO, si vous avez une antenne attachée à la TV. If vous avez câble ou satellite ou autre chose s'il vous plaît utilisez make HORLOGE AUTO-vous est éteint)

HORLOGE

Cette option permet de régler l'heure et la date de la nécessité TV. vous pour désactiver AUTOCLOCK pour utiliser cette fonction.

S'il vous plaît noter:

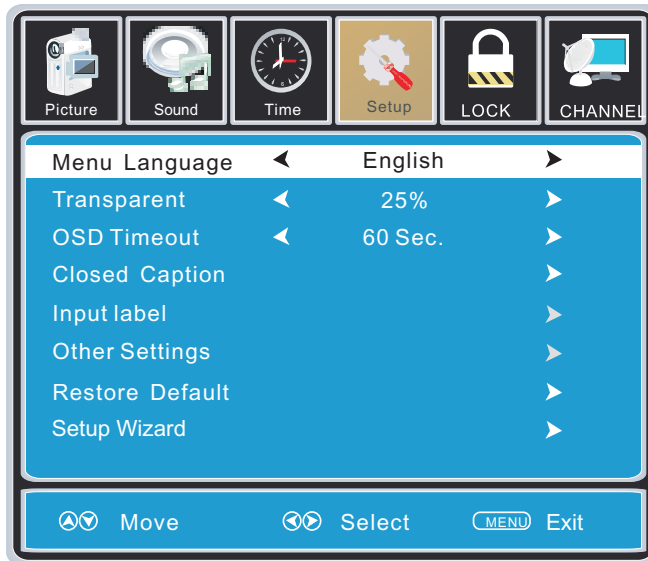
La fonction TIME ne conserver une heure précise si le téléviseur est branché sur une source d'alimentation. Si le téléviseur est débranché ou la barrette d'alimentation est éteint, l'heure du téléviseur ne sera pas précis.

R GLAGE INITIAL DU T L VISEUR

MENU DE CONFIGURATION

Appuyez sur le bouton MENU pour afficher le menu principal.

Appuyez sur la touche ◀ / ▶ pour sélectionner SETUP dans le menu principal, il mettra l'accent sur la première option.



LANGUE MENU

Cette option modifie la langue du menu OSD du téléviseur.

TRANSPARENT

Cette option modifie la transparence du menu permettant de fond des images de télévision de montrer à travers.

TIMEOUT OSD

Cette option modifie le temps qui menu OSD du téléviseur se met automatiquement hors tension.

Sous-titrage

Cette option affiche les mots sur le téléviseur.

Étiquette d'entrée

Cette option modifie les noms des sources de vos préférences personnelles.

AUTRES RÉGLAGES

Cette option permet de régler diverses options du téléviseur.

AUDIO ONLY-Cette option désactive l'écran pendant que le son joue encore.

RESTAURER PAR DEFAULT

Cette option restaure tous les changements dans l'arrière menu OSD aux valeurs d'usine par défaut.

ASSISTANT DE CONFIGURATION

Cette option permet au téléviseur de vous montrer l'assistant de configuration du téléviseur.

S'il vous plaît noter:

Le sous-titrage est disponible uniquement sous AV et ports TV.

Le sous-titrage dépend de l'appui de votre programme TV. Parfois, en raison à la chaîne TV ou le signal, sous-titrage ne sera pas disponible.

Aux États-Unis, le sous-titrage en vertu signaux analogiques est CC1.

Aux États-Unis, le sous-titrage dans le signal numérique est Service1.

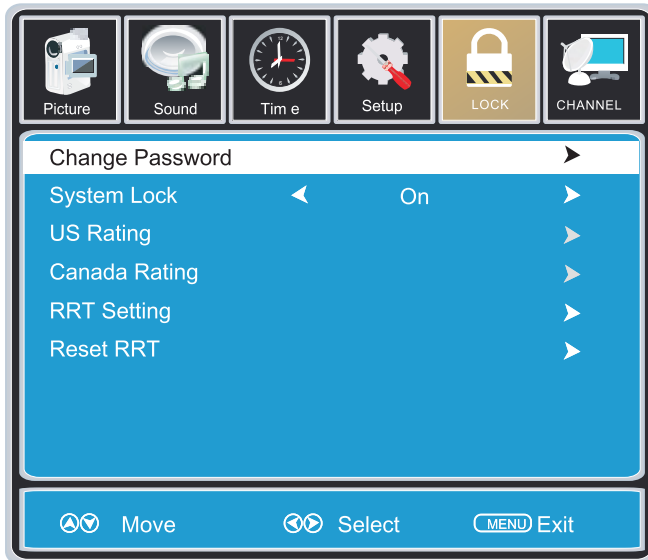
R GLAGE INITIAL DU T L VISEUR

VERROUILLAGE MENU

Appuyez sur le bouton MENU pour afficher le menu principal.

Appuyez sur ◀ / ▶ pour sélectionner LOCK dans le menu principal, il mettra l'accent sur la première option.

Appuyez sur "0000" pour le mot de passe de verrouillage.



CHANGER MOT DE PASSE

Cette option vous permet de modifier le mot de passe du menu LOCK.

SYSTÈME DE VERROUILLAGE

Cette option permet de verrouiller et de filtrage parental pour la télévision.

US NOTATION

Cette option filtre de programmation de télévision américaine et des films.

CANADA COTE

Cette option filtre audimat CANADA.

RÉGLAGE RRT -

Cette fonction est un filtre téléchargeable Note basée sur des émissions de télévision. Avec le passage des émissions de télévision vers le numérique, les changements futurs, et des améliorations dans la façon dont les émissions de télévision sont conçus pour le contenu sont possibles.

RAZ RRT

Cette option permet de réinitialiser les paramètres RRT5.

S'il vous plaît noter:

S'il vous plaît se référer à le classement pour plus d'informations sur les définitions de puissances.

Note téléchargeable et claires données téléchargeables peuvent être grisés en fonction tations

Tvs le support. RRT5 options sont basées sur des émissions de télévision, si elle est grisée, alors il n'est pas disponible dans votre région.

MODE D'AFFICHAGE

FORMATS INFORMATIQUES

Mode D'entree Pour Le Support Du PC			
Résolution	Fréquence De Scan Horizontale (KHz)	Fréquence De Scan Verticale (Hz)	Format
640 x 480	31.5	60.0	DOS
800 x 600	35.1	56.2	VESA
800 x 600	37.9	60.0	VESA
1024 x 768	48.4	60.0	VESA
1360 x 768	47.7	60.0	VESA

REMARQUE :

Ce produit ne supporte pas le mode d'affichage non listé ci-dessus.

Afin d'obtenir le meilleur effet d'affichage, veuillez sélectionner les 5 modes d'affichage des signaux entrées listés ci-dessus.

A cause de la différence des pilotes d'affichage des signaux sortis (en particulier les sorties de signal non standard), l'image affichée pourrait avoir un peu d'interférence qui pourrait être réglée au moyen sur le menu PC.

Pour prolonger la durée de vie de cet appareil, veuillez régler votre ordinateur au mode de gestion d'alimentation.

MODE D'AFFICHAGE

FORMATS VIDEO

Mode D'entree Pour Le Support Du COMPOSENT / HDMI			
Résolution	Fréquence De Scan Horizontale (KHz)	Fréquence De Scan Verticale (Hz)	Format
720 X 480	31. 47	59. 94	480 i
720 X 480	15. 734	59. 94	480 p
1280 X 720	37. 5	50	720 p
1280 X 720	45	60	720 p
1920 X 1080	31. 25	50	1080 i
1920 X 1080	33. 75	60	1080 i
1920 X 1080	27	24	1080 p
1920 X 1080	56. 25	50	1080 p
1920 X 1080	67. 50	60	1080 p

REMARQUE :

Les formats listés ci-dessus dépendent aussi des dispositifs AV que vous y connectés. Avant de connecter cet appareil avec les autres dispositifs, veuillez lire soigneusement les instructions et vous assurer que tous les câbles nécessaires sont connectés.

Cet appareil pourrait ne pas être compatible avec les autres formats qui ne satisfont pas aux conditions ci-dessus.

CARACT RISTIQUES

Modèle Description		32" LED TV
Panneau	Type panneau	LED Panel
	Taille diagonale	32 pouces
	Format écran	16:9
	Résolution	1366 x 768
	Luminosité	300 nit
	Contraste	3000 : 1
	Angle de vue	176(H)/176(V)
	Temps de réponse	6.5 ms
	Couleur maximale	16.7M Couleur
Systèmes	Système couleur	ATSC/QAM/NTSC
	Système son	M
	Système audio	BTSC
	Sortie son	G/D Parleu :10 W + 10 W
Crics Entrée / sorite	Entrée RF	Terminal externe 75 ohms
	Entrée HDMI	Vidéo:480i,480p,720p,1080i, 1080p. Audio: Deux chaînes linéaires PCM 32, 44.1 et 48kHz, 16, 20 et 24 bits
	Entrée PC-RGB	D-sub 15pin G: 0.7Vp-p, 75ohms B: 0.7Vp-p, 75ohms R: 0.7Vp-p, 75ohms
	Entrée Vidéo composite	1.0 Vp-p, 75ohms RCA
	Entrée composant/Y Pb Pr	RCA Y: 1.0 Vp-p, 75ohms, 0.3V synchronique négatif Pb: 0.7Vp-p, 75ohms Pr : 0.7Vp-p, 75ohms
	Entrée son	AV AUDIO: For CVBS and Component Audio input PC AUDIO: For PC RGB Audio input 500mV rms, Impedance: 20k ohms
Alimentation	Exigence alimentation	100-240V~ 50/60Hz
	Consommation d'énergie	60 W

*Ce manuel n'est que pour votre référence.
Les spécifications sont soumises à la mise à jour sans notice préalable.

GUIDE DE DÉPANNAGE

SYMPTÔME

CAUSE(ET SOLUTION)

TÉLÉVISEUR

Image de mauvaise qualité (neige, surimpression d'images, distorsion, image floue)

- Vérifier l'emplacement de l'antenne et la régler si nécessaire.
- Câble d'antenne bien raccordé ?
- Câbles d'entrée bien raccordés ?

Pas de son.

- Augmenter le volume.
- Vérifier si la fonction de coupure du son a été mise en service avec la télécommande.

Image en noir et blanc.

- Vérifier le réglage de l'image sur le menu de réglage.
- Vérifier si l'émission regardée est transmise en couleur et pas en noir et blanc.

Ni image ni son.

- Appareil branché dans une prise CA ? Appareil mis en circuit ?
- Mode TV en service ?
- Essayer une autre chaîne pour éliminer la possibilité d'un dérangement de station.
- Vérifier si l'antenne est raccordée correctement.
- Augmenter le volume.
- Vérifier si l'antenne ou la source audio/vidéo fonctionnent correctement.
- Vérifier si tous les câbles sont raccordés correctement.
- Vérifier s'il y a des interférences locales.

Taches de couleur sur l'image

- Appareils électriques non blindés causant des parasites proximités ?
- Mettre le téléviseur hors circuit pendant 30 minutes et essayer de nouveau.

Une touche de fonction sur le panneau ne fonctionne pas.

- Un phénomène d'electrostatique peut causer un dérangement; mettre l'appareil hors circuit puis le remettre en circuit.
- Débrancher le cordon d'alimentation CA et le brancher de nouveau.

Le panneau de surveillance d'écran devient chaud

- Le téléviseur LED prend à l'intérieur la lumière phosphorique. Il pourrait augmenter la température de l'écran dans quelques cas. Ce n'est pas un défaut.

Points anormaux

- Points noirs et points lumineux pourraient apparaître à l'écran LED. C'est la propriété structurale du panneau LED et ce n'est pas un défaut.

Bandes à l'écran

- Le réglage de la phase d'impulsion pourrait réduire les bandes (RGB in).

Le haut de l'écran devient chaud.

- Il pourrait se survenir pendant un fonctionnement depuis très longtemps. Ce n'est pas un défaut.

Impossible de sélectionner une certaine chaîne

- La chaîne pourrait être sautée. Choisissez cette chaîne en sélectionnant directement les touches de la télécommande.

Affichage en désordre lors d'allumer

- Ce serait généré à cause de l'intervalle très court entre l'allumage et l'éteinte.
- Débranchez l'alimentation et redémarrez.