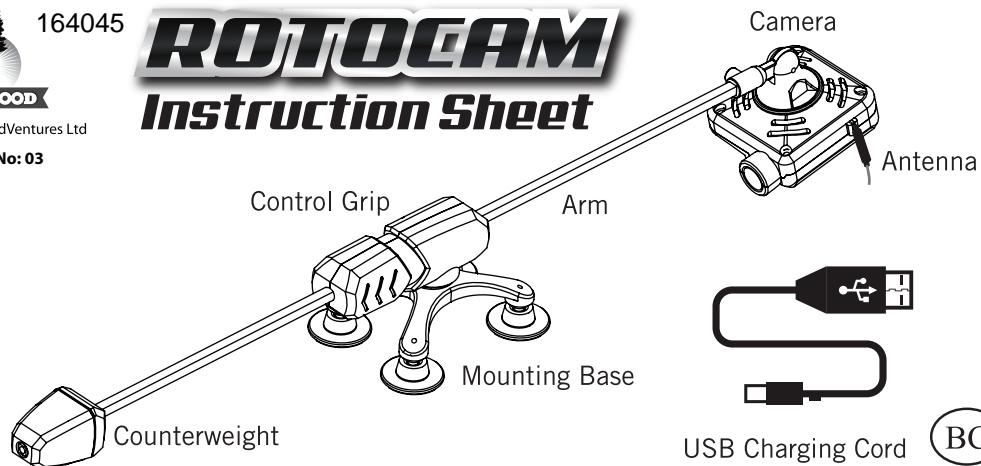
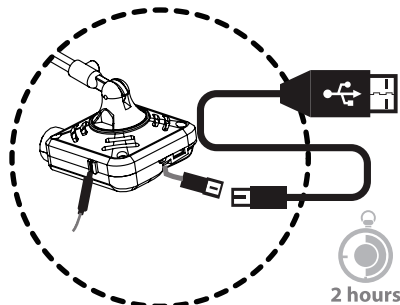


ROTOCAM

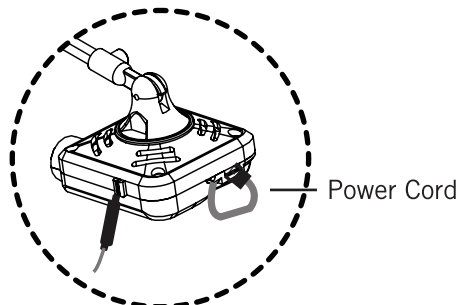
Instruction Sheet



CHARGING AND POWER

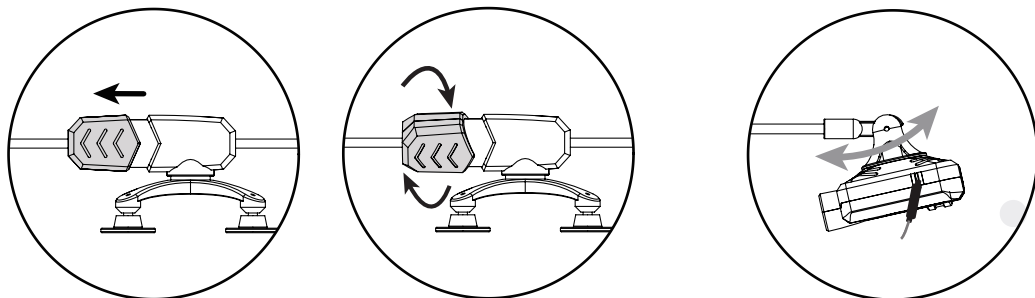


Charge the camera for 2 hours before use with the provided USB.



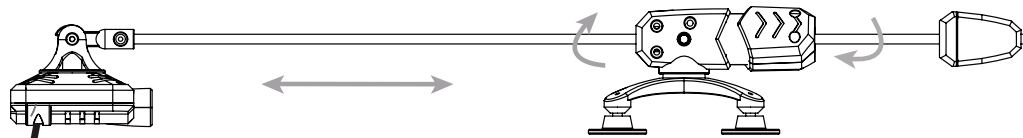
Attach the power cord to the camera to turn on after charging. Disconnect power cord after use to turn the camera off.

ADJUSTING AND MOUNTING

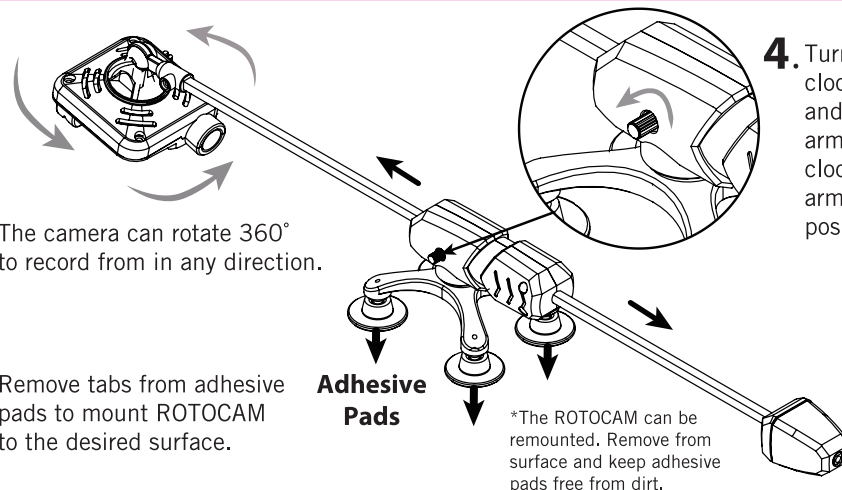


1. Slide the control grip forward then twist 180° counter-clockwise to allow camera to spin freely. You can also rotate and lock the arm to point in any direction.

2. Pivot the camera to adjust the view angle.



Front side



3. The camera can rotate 360° to record from in any direction.

5. Remove tabs from adhesive pads to mount ROTOCAM to the desired surface.

Adhesive Pads

*The ROTOCAM can be remounted. Remove from surface and keep adhesive pads free from dirt.

4. Turn knob counter-clockwise to unlock and adjustment the arm length. Turn knob clockwise to lock arm in the desired position.

DOWNLOADING AND USING THE ROTOCAM APP



Apple

Android

Scan appropriate QR code & follow instructions -or-

1. Search for "ROTOCAM" in your mobile phone's app store or marketplace.
2. Click on the ROTOCAM App.
3. Click to download the app, entering any necessary account information.

After you download the app from the store, open WiFi settings and select VSFXXXX. Open the ROTOCAM app to activate the camera module.

REGULATORY AND BATTERY SAFETY INFORMATION

Warning: Changes or modifications to this unit not expressly approved by the party responsible for compliance could void the user's authority to operate the equipment.

NOTE: This equipment has been tested and found to comply with the limits for a Class B digital device, pursuant to Part 15 of the FCC Rules. These limits are designed to provide reasonable protection against harmful interference in a residential installation. This equipment generates, uses and can radiate radio frequency energy and, if not installed and used in accordance with the instructions, may cause harmful interference to radio communications.

However, there is no guarantee that interference will not occur in a particular installation. If this equipment does cause harmful interference to radio or television reception, which can be determined by turning the equipment off and on, the user is encouraged to try to correct the interference by one or more of the following measures:

- Reorient or relocate the receiving antenna.
 - Increase the separation between the equipment and receiver.
 - Connect the equipment into an outlet on a circuit different from that to which the receiver is connected.
 - Consult the dealer or an experienced radio/TV technician for help.
- "This device complies with FCC radiation exposure limits set forth for general population (uncontrolled exposure). This device must not be collocated or operating in conjunction with any other antenna or transmitter."

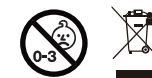
FCC RF Radiation Exposure Statement Caution: To maintain compliance with the FCC's RF exposure guidelines, place the product at least 20cm from nearby persons.

BATTERY SAFETY INFORMATION:

This unit is intended for use by children ages 4 and up, and isn't intended for children 3 and younger. Read and follow all instructions noted here before use, and keep these instructions for future reference.

- Don't get your batteries wet
- Don't drop your camera, which could cause breakage.
- The supply terminals are not to be short-circuited.
- Batteries should be recycled or disposed of as per state and local guidelines.
- Do not dispose of batteries in fire.
- Charge the battery at least once every six months in order to keep your battery functional during in order to keep your battery functional during periods when usage is infrequent.
- Before storing your toy for a long period of time, charge your battery. Storing a completely discharged battery for a long period of time might make your battery inoperable.

Colors and decoration may differ from those shown.



For customer service email us at customer-service@redwood-ventures.com or call 1 (855) 876-8124

Made and printed in China.

Back side