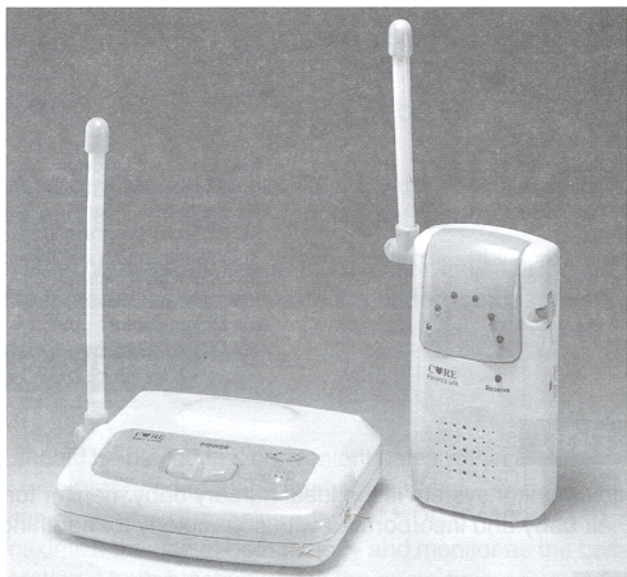


C♥RE™

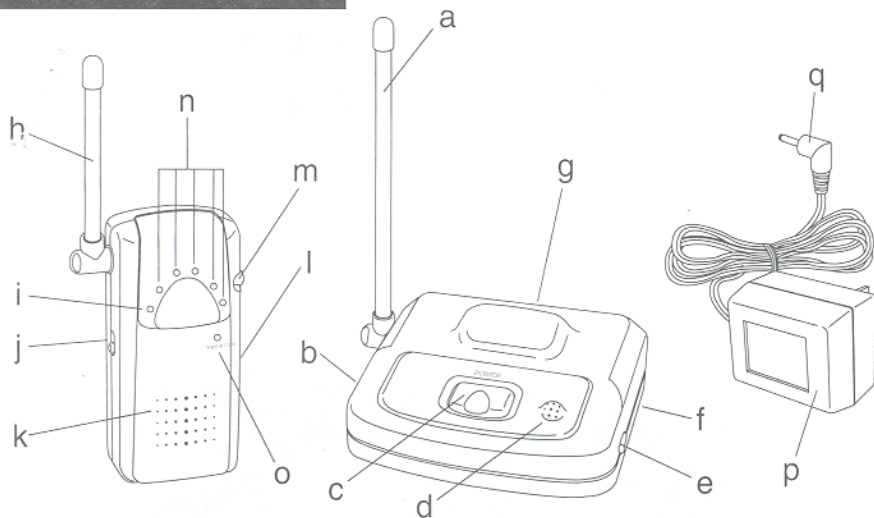
Products "care" every baby



Compact Baby Monitor

Instruction Manual

LIST OF COMPONENTS



- (a) Rotary antenna (Baby's unit)
- (b) Channel switch (Baby's unit)
- (c) Monitor power on/off button
- (d) Built-in microphone
- (e) 'Auto / off / melody' slide switch
- (f) Battery compartment door
- (g) DC jack (Baby's unit)
- (h) Rotary antenna (Parent's unit)

- (i) LED power indicator
- (j) Channel switch (Parent's unit)
- (k) Speaker
- (l) DC jack (Parent's unit)
- (m) Volume / mute / on/off switch
- (n) Sound level metre
- (o) Receive indicator light
- (p) Mains adaptor
- (q) DC jack plug

INTRODUCTION

The Compact Baby Monitor system is the ideal nursery baby monitor for parent to use it to take care of their baby and incorporated with soft melody for soothing baby.

IMPORTANT

The Compact Baby Monitor is not intended to replace adult supervision of babies.

WARNING

1. Do not allow the product to be used in damp conditions or immersed in water.
2. Do not place the product next to heat sources such as radiators and sunny window etc.
3. Compact Baby Monitor does not contain any user serviceable parts. Do not dismantle.
4. When the Compact Baby Monitor is not in used for long periods of time, remove all batteries from it, otherwise the batteries may leak and cause damage to the product.

BATTERY CAUTIONS

- Read and follow all warnings and instructions supplied by the battery manufacturer.
- When insert the batteries, make sure that the (+) and (-) terminals face in the correct directions.
- Never use batteries that shows signs of leaking or cracking.
- To prevent leaking or bursting, never mix batteries of different type, brand, age or charge.
- Used batteries should not be discarded in fire.
- Keep all batteries away from children.
- DO NOT USE RECHARGEABLE BATTERIES.

HOW TO INSTALL BATTERIES

Baby's unit

Open battery door (f) by inserting a coin in the slot at the bottom end of the cover and pulling top of coin towards you. Snap 1 x MN1604 (6LR61) DC 9V battery * to the battery connector. Close the battery door before operate.

Parent's unit

Slide to open the battery door on the back of the parent's unit. Insert 3 x 'AA' (UM3) size batteries *. Close and latch the battery door before operate.

*Alkaline battery is recommended. Follow the direction indicated on the battery compartment to install the batteries as shown inside the battery compartment.

SET UP THE SYSTEM

Baby's unit

The baby's unit should be placed in a convenient place within 3 metres (10 feet) of baby. A flat surface is recommended to place the baby's unit.

The baby's unit can be used via the mains adaptor ** (DC 6V 100mA). This AC/DC adaptor is provided for maximize the use of both melody and monitor as the batteries will provide a short time operation if both function use in the same time.

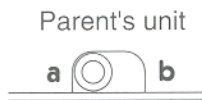
To operate the baby's unit via the mains adaptor ** (DC 6V 100mA), just plug the adaptor into a convenient wall power socket and make sure you switch the power on if the socket has a switch.

Turn the baby's unit ON by pressing the power on/off button (C) once. The RED light on the button will illuminate.

Diagram 'A'

Note : Channel switch on both parent's unit and baby's unit must be in the same position. See Diagram 'A'

i.e. If parent's unit channel switch position is in channel 'a', then baby's unit channel switch position MUST also in channel 'a'. Wrong channel positioning will cause malfunction of the system.



RIGHT



WRONG

* Mains adaptor may be an optional item.

+ Mains adaptor for the baby's unit may be an optional part, the mains adaptor use for parent's unit and baby's unit are in same specification. So you do not need to worry about wrong use.

Parent's unit

Turn on the parent's unit by rotating the volume/mute/on/off switch (m), the LED power indicator (i) should glow on. Make sure both channel on baby's unit and parent's unit are in same position as mentioned on the above paragraph. You can use the parent's unit to watch and listen to your baby. If the environment is not suitable to have sound, you can just turn on the parent's unit to the mute location of the volume/mute/on/off switch (m). The sound level metre (n) light will show the environment sound level of baby's area, louder sound, more lights. You can also watch and listen to your baby by turning the volume/mute/on/off switch to a sound level that you think it is suitable to your environment. The parent's unit will then show both lights and sound of your baby's area.

HOW TO KNOW THE MONITOR SYSTEM IS COMMUNICATE WITHIN THE RANGE

The parent's unit has a 'Green' colour receive indicator light (o). The receiver indicator light (o) shown the parent's unit is working with the baby's unit in correct channel and range when the light is 'ON'. [Whilst the parent's unit won't work correctly or cannot receive signal if the receive indicator light (o) is 'off' *. The receive indicator light (o) operate automatically, just simply rotate to turn 'on' the parent's unit.]

* In some conditions, the reception of the parent's unit is good but the receive indicator light is 'off', this may be caused by the interference around the parent's unit. Do not think the unit is malfunction.

HOW TO OPERATE THE MELODY FUNCTION

The baby's unit has incorporated a soothing melody function as follow.


- (a) A continuous melody performance.
- (b) A voice activation melody performance, melody will turn off after about 30 seconds.

A 3 position slide switch on the right hand side of the baby's unit to operate the melody function as Diagram 'B'

Diagram 'B'



Melody can only be operated when the baby's unit is turned 'ON'. To turn on baby's unit, just simply press the power on/off button (c), the button will glow on once you have pressed the button. The function of the melody switch are as follow:

- (i) Auto - When the switch slide to this location, the melody will activate only when there is sound. In the first time use, the melody will turn on automatically for around 30 seconds. Then the melody will stop if the environment is silence. Once there is sound, the melody will trigger on again. Each time when melody trigger on, it will last for around 30 seconds.
- (ii) Off - Melody off function
- (iii)  - The melody will perform continuously until the user turn it off or the battery flat.

TROUBLE SHOOTING

If the Compact Baby Monitor system does not operate correctly please check the following:

Fault	Cause	Action
Melody do not work	<ul style="list-style-type: none"> - Flat batteries - Wrong battery polarity - AC/DC adaptor not switched on or not connected 	<ul style="list-style-type: none"> - Fit new batteries - Fit the battery again in the right position as shown inside the battery compartment - Check correct fitting at mains
Melody sound too low	<ul style="list-style-type: none"> - Weak batteries 	<ul style="list-style-type: none"> - Fit new batteries
No sound from parent's unit	<ul style="list-style-type: none"> - Flat batteries - Wrong batteries polarity - Channel switches not on the same setting - AC/DC adaptor not switched on or jack plug not connected 	<ul style="list-style-type: none"> - Fit new batteries - Fit the battery again in the right position as shown inside the battery compartment - Check channel setting on parent's & baby's units - Check channel fitting of mains adaptor
Power light dim or not lit on baby's unit	<ul style="list-style-type: none"> - Weak batteries - AC/DC adaptor not switched on or connected 	<ul style="list-style-type: none"> - Fit new batteries - Check correct fitting at mains
Sound level metre lights not working	<ul style="list-style-type: none"> - Power not switched on 	<ul style="list-style-type: none"> - Check adaptor, batteries and volume/mute/on/off switch
Weak reception	<ul style="list-style-type: none"> - Parent's unit & baby's unit are out of range - Weak batteries - Antenna not upright - Metal Clad building 	<ul style="list-style-type: none"> - Move parent's unit closer to baby's unit - Replace batteries - Ensure antenna are upright
Buzzing interference etc	<ul style="list-style-type: none"> - Could be due to another baby monitor or environmental interference 	<ul style="list-style-type: none"> - Change Channels on both parent's and baby's units
Static and other noises	<ul style="list-style-type: none"> - Interference possibly from home appliances - Out of range 	<ul style="list-style-type: none"> - Switch off other appliances if possible - Move units closer to each other
High pitched sound (electronic feedback)	<ul style="list-style-type: none"> - Units are too close to each other - Volume is too high 	<ul style="list-style-type: none"> - Move the units further apart - Reduce volume
Receive indicator light not work properly	<ul style="list-style-type: none"> - Interference from environment - Interference from environment 	<ul style="list-style-type: none"> - If the parent's unit works fine, ignore the receiver light - If the parent's unit not working properly, come close to the baby's unit.

* Specifications and designs are based on the latest information available at the time of printing and subject to change without notice.