



FLEXI GATE form

MODEL NO:1175/1180

Owner's Manual



**READ ALL INSTRUCTIONS BEFORE ASSMBLY AND
USE OF GATE. KEEP INSTRUCTIONS FOR FUTURE USE.**

**Regalo International, LLC.
14305 Southcross Drive, Suite 100,
Burnsville, MN 55306
Phone: 952-435-1080
FAX: 952-435-1088**



Important: Keep these instructions for future reference

**Flexi Gate from
ADDITIONAL EXTENSIONS SOLD SEPARATELY!**

 WARNING:

Intended for young children aged six months through 24 months. Check the gate regularly to see if all the hardware and mountings are tight.

To prevent serious injury or death, securely install gate or enclosure and use according to manufacturer's instructions.

Never use with a child able to climb over or dislodge the gate or enclosure.

Never leave child unattended.

Use only with the locking/latching mechanism securely engaged.

To prevent falls, NEVER used at the top of stairs.

Contact Regalo for questions and replacement parts. If in doubt about the use of your gate, call our customer care line 952-435-1080.

Regalo International, LLC. 14305 Southcross Drive, Suite 100, Burnsville, MN 55306. Made in China

Assembly and Installation Instructions

Please read these instructions carefully before installing your gate.

Important: There are four pieces of Wall Mounting Hinges. These Wall Mounting Hinges must be used in securing your gate to the wall. If not, the gate can become dislodged from the opening and unstable.

Check to make sure you have the following components before you begin to set up your gate.

- (1). Folded Gate Frame, and Wall Mounting Assembly
- (2). Mounting Screws x 8 pcs.



(1) 1 pc



(2) 8 pcs

Step 1. Preparing to Install your Gate

Begin by unfolding the gate frame. To do this simply loosen the Locking Knobs at each pivoting joint by turning the knob counter clockwise as shown in Diagram 1. Loosen the knobs enough to allow the gate to swing open freely.

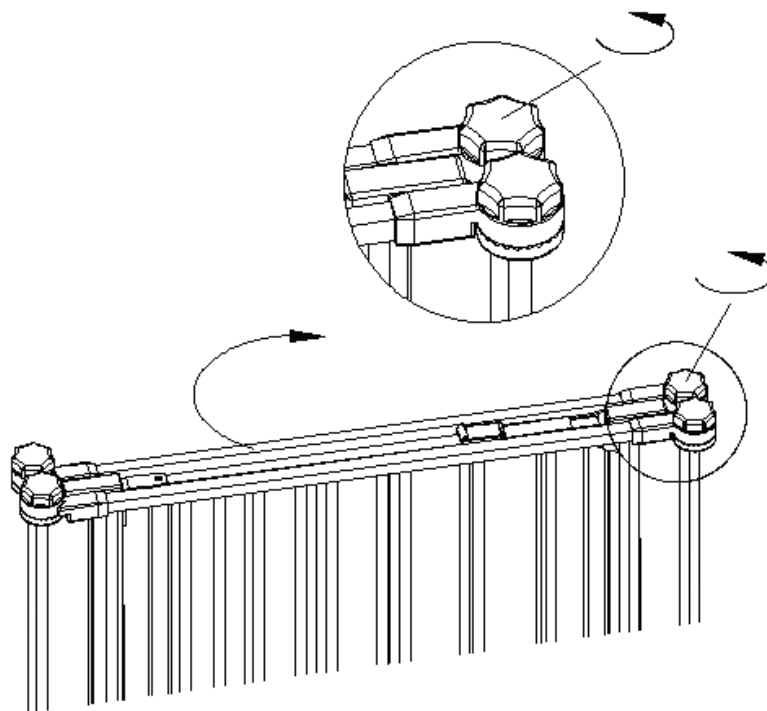


Diagram 1

Step2: Move the gate to the side of the wall opening then bring the Wall Mounting Hinge to the wall as shown in Diagram 2.



Diagram 2

Step 3: Apply a screw driver to fix the Wall Mounting Hinge on to the wall as shown in Diagram 3.



Diagram 3

Step 4: Repeat the Step 2 and 3, on the other end of the gate. Go back and tighten all Locking Knobs. When this is done, the gate is ready to use on the gate opening.