



direct vent
gas fireplaces



why choose Regency?

Beautiful Home Heating Solutions

Regency Fireplace Products was founded almost 30 years ago with a mission to produce the finest fireplace products available anywhere. Regency has heating solutions for every room in your home. Listening to our customer has enabled us to become the premium brand in the market today.

Regency Quality

The Regency name means quality in every way. The product is created and built in a world class manufacturing facility focused on getting every detail just right. Represented across North America by a carefully selected professional retail network; you can rely on knowledgeable dealers and installers who understand how to make our products run safely and to the optimum performance.

Exceptional Fire

The essence of each and every Regency fireplace is the unique flame. Without question, it's the best in the industry. With its dancing flames and glowing embers, the Regency fire looks just like a wood fire.

Custom Styling

By researching current trends and styles we have created tasteful options and accessories that allow you to tailor the look of our fireplace to your home. Sleek and simple or grand and glamorous... your choice.

Save on Home Heating

Regency Gas Fireplaces produce consistent, controllable heat. The totally sealed firebox, specialized burners and high heat transfer ceramic glass creates heat that doesn't escape up the chimney.

One Regency = One Tree

At Regency, we are committed to protecting our environment. For every Regency sold, we will plant a tree. Working with *American Forests*, the trees planted across North America will offset carbon emissions and take one more step to restore nature's balance.

Lifetime Warranty

I am so confident in the quality workmanship, the finest materials and durable heavy-duty construction invested in each and every product, that I offer a Limited Lifetime Warranty. The Regency warranty is the best in the industry. I am absolutely sure that you will be as proud of your Regency Gas Fireplace as I am – I guarantee it.

Robert Little
Founder & CEO





index

Contemporary Collection	
Regency Horizon HZ54	4
Sunrise L676S, P33S	6
Liberty Gas Fireplaces	
Liberty L900, L676	8
Excalibur Gas Fireplaces	
Excalibur P95, P90	10
Panorama Gas Fireplaces	
Panorama P131, P121	12
Panorama P48	14
Panorama P42, P40	16
Panorama P36, 36D	18
Panorama P33	20
Design Choices	23
Technical specs	26



Regency Horizon™

Contemporary Gas Fireplace



Regency Horizon HZ54 shown with cobalt blue crystals, brushed stainless steel faceplate and reflective panels.

The Regency Horizon™ HZ54 offers a wide angle view of a unique and dramatic flame; perfect for contemporary homes and open concept living spaces. Inset reflective panels amplify the appearance of the stunning fire. The incredible styling is backed up by practical function; delivering consistent, controllable heat - even during power outages.





Regency Horizon HZ54 shown with cobalt blue crystals, bright stainless steel faceplate and reflective panels.



Regency Horizon HZ54 shown with ceramic spa stones, black faceplate and reflective panels.

Specifications	Natural Gas
Input (BTU)	41,500
Turn down to (BTU)	29,000
EnerGuide Rating (Canada only)	55.08%
Efficiency (steady state)	69%

Dimensions	
Faceplate width	54-3/4"
Faceplate height	23-3/16"
View area	652 sq.in.

For detailed specifications please see pages 23-31.

Standard Features

- 39" burner covered with cobalt blue crystals
- Wall mounted On/Off switch
- Standing pilot with direct spark ignition

Optional Features

- Contemporary door frame & faceplate in black, brushed stainless steel and bright stainless steel
- Stainless steel inset reflective panels
- White or Natural River Pebbles
- Ceramic Spa Stones
- Proflame GT remote control
- Wall thermostat
- AstroCap™ Venting System

Sunrise L676S & P33S

Contemporary Gas Fireplaces



L676S Sunrise shown with cobalt blue crystals, enamel black reflective panels and blue faceplate.

We have redefined the conventional firebox to include dramatic, contemporary elements that take it from timeless and traditional to modern and sensational! Reflective panels expand and amplify the beautiful Sunrise fire with cobalt blue crystals or ceramic spa stones.

The Sunrise™ P33S fireplace doesn't need a large space to create a distinct feature in your home. The shallow (12-3/4" deep) direct vent firebox allows you to install a contemporary fireplace anywhere!





P33S Sunrise shown with cobalt blue crystals and stainless steel faceplate.



L676S Sunrise shown with ceramic spa stones, stainless steel reflective panels and red faceplate.



L676S Sunrise shown with cobalt blue crystals, enamel black reflective panels and black faceplate.



P33S Sunrise shown with cobalt blue crystals, stainless steel reflective panels and blue faceplate.

Specifications (NG)*	L676S	P33S
Input (BTU)	29,000	17,000
Turn down to (BTU)	19,500	12,000
EnerGuide Rating (Canada only)	60.97%	65.08%
Efficiency (steady state)	67%	67%

Dimensions	L676S	P33S
Faceplate Width	34-3/4"	38-7/8"
Faceplate Height	33-3/16"	29-1/2"
View area	676 sq.in.	408 sq.in.

* For propane (LP) specs please see page 26.
For detailed specifications please see pages 23-31.

Standard Features

- Sunrise fire with cobalt blue crystals
- Wall mounted On/Off Switch
- Standing pilot with direct spark ignition

Optional Features

- Inner panels in black, black enamel (L676S only) and stainless steel
- Faceplate in black, blue, red, silver (L676S only) and stainless steel (P33S only)
- Ceramic Spa Stones
- White or Natural River Pebbles
- Proflame GT remote control
- Wall thermostat
- LP conversion kit
- AstroCap™ venting system

Liberty L900 & L676

Gas Fireplaces



Liberty L900 shown with brown brick panels.

The Liberty design creates an authentic masonry fireplace look that is sleek and simple in appearance with a beautiful flame and moderate heat. This Direct Vent fireplace looks so much like a real wood fire you just won't believe it! No louvers and "disappearing" glass work together with the brick panels, extraordinary fire and log package to create a simply beautiful oasis. The Liberty flame fills the heart of this fireplace with a 6 stage fire extending from romantic glowing embers to a roaring yellow fire to match your mood or comfort level.





Liberty L676 shown with red brick panels.



Andirons



Proflame GTM remote control

Specifications (NG)*	L900	L676
Input (BTU)	41,500	33,000
Turn down to (BTU)	28,000	22,000
EnerGuide Rating (Canada only)	51.25%	45.75%
Efficiency (steady state)	58%	52%

Unit Dimensions	L900	L676
Viewing area	900 sq.in.	676 sq.in.
Width	47-1/2"	39-1/2"
Height	40-3/8"	36-3/8"
Depth	26"	24"

* For propane (LP) specs please see page 26.
For detailed specifications please see pages 23-31.

Standard Features

- Flush front with ceramic safety glass
- Standing pilot with direct spark ignition
- Proflame GTM remote control
- 6-stage flame height adjustment
- Oak logs
- Operable mesh pull screen
- Steel grate
- Old Town Red or Rustic Brown brick panels (must choose one)
- Black vermiculite floor
- Platinum bright embers
- Wall mounted On/Off switch
- Easy clean glass system

Optional Features

- LP conversion kit
- Cast iron andirons
- Heat Wave™ power duct kit
- Heat Release™ kit
- Horizontal or vertical vent termination
- AstroCap® Venting System

Excalibur P95 & P90

Gas Fireplaces



Excalibur P95 shown with black surround, black double screen doors, polished gold accents & herringbone brick panels.

Sit back and enjoy the irresistible comfort of an Excalibur fire. The Excalibur P95 direct vent gas fireplace is an incredible combination of timeless design and enduring quality. The fine finishing is what makes this one of the most sought after fireplaces anywhere today.

Both the medium P90 and the large P95 are designer fireplaces with a multitude of custom options. These two fireplaces combine different doors, finishes, handles, decorative accents, mantels and brick panels resulting in well over forty unique looks.





P90 shown with antique nickel surround, double screen doors & herringbone brick panels.



P95 shown with black surround & herringbone brick panels.



P95 shown with antique copper surround & herringbone brick panels.



P95 shown with black surround, polished gold doors and accents & herringbone brick panels.

Specifications (NG)	P95	P90
Input (BTU)	45,000	35,000
Turn down to (BTU)	23,200	18,200
EnerGuide Rating (Canada only)	66.76%	67.75%
Efficiency (steady state)	75%	75%

Faceplate Dimensions		
Width	45-3/4"	37"
Height	32-7/8"	29-1/4"

* For propane (LP) specs please see page 26.
For detailed specifications please see pages 23-31.

Standard Features

- Flush front with ceramic safety glass
- Realistic logs with beautiful flames
- Black brick panel floor
- Variable speed thermostatic blower
- Flame height adjustment control with up to 50% turndown

Optional Features

- Polished gold, antique gold, antique nickel, antique copper or black designer arch surround (Required)
- Double screen doors in polished gold, antique gold, antique nickel, antique copper or black
- Accent kits in polished gold or polished nickel for double doors & arch surround
- Brick panels
- Heat Wave™ Power Duct Kit
- Heat Release™ Kit
- Thermostat or FireGenie® Remote Control
- AstroCap™ Venting System

Panorama® P131 & P121

Three & Two Sided Gas Fireplaces



Panorama P131 featuring gold louvers.

Enjoy Regency fire and warmth in two rooms with one fireplace or select the corner fireplace option for your unique home design. For calming warmth and an exceptional fire view from all 3 sides of a special living space choose the Regency Pier fireplace. The complete package includes decorative grill options and finishing mantel tops. Turn your furnace down and enjoy beautiful heat in the rooms you spend time in.





P131 shown with stainless steel louvers and trim.



P131 shown with decorative patterned grills in black.



P131 shown with stainless steel louvers.



P121 shown with black louvers.

Specifications	Natural Gas	Propane
Input (BTU)	40,000	39,000
Turn down to (BTU)	20,500	20,600
EnerGuide Rating (Canada only)	60.66%	62.51%
Efficiency (steady state)	75%	75%

Unit Dimensions	P131	P121
Viewing area	1,340 sq.in.	1,280 sq.in.
Width	42-1/2"	43-1/2"
Height	20"	20"
Depth	25"	25"

* For propane (LP) specs please see page 26.
For detailed specifications please see pages 23-31.

Standard Features

- Large realistic flames with platinum bright embers
- Flush front with tempered glass
- Realistic 8 piece collapsed log set and fire grate
- Old Town Red side brick panels in standard design
- Black brick panel floor
- One speed blower
- Flame height adjustment control with up to 50% turn down
- 45° flue for versatile installations

Optional Features

- See thru or corner units (P121)
- Louvers
- Decorative patterned grills
- Glass trim
- Finishing trim (P121 only)
- Ceramic glass for bathroom installations
- FireGenie® Remote Control
- Wall thermostat
- LP conversion kit
- Vertical or horizontal vent terminations
- AstroCap™ Venting System

Panorama® P48

Extra Large Gas Fireplace



Panorama P48 Gas Fireplace featuring brushed steel louvers, brick panels and black finishing trim..

The largest gas fireplace in the Regency family, P48 presents a spectacular fire and extraordinary heat for your large living areas. Perfect for open living spaces, 51,000 BTU of comforting warmth is circulated to every corner. Backed by the most comprehensive warranty in the industry today, you'll enjoy your Regency worry free for years to come.





Shown with gold louvers, brick panels and black finishing trim.

Shown with black louvers, brick panels and black finishing trim.

Specifications	Natural Gas	Propane
Input (BTU)	51,000	48,000
Turn down to (BTU)	29,000	26,000
EnerGuide Rating (Canada only)	62.30%	62.51%
Efficiency (steady state)	70%	70%

Unit Dimensions	
Width	48"
Height	41"
Depth	23-1/4"

For detailed specifications please see pages 23-31.

Standard Features

- Beautiful fire with platinum bright embers
- 934 sq. in. viewing area
- Large 7 piece realistic log set and fire grate
- Flame height adjustment control with up to 50% turn down
- Louver mounted controls
- Flush front with ceramic safety glass
- 45° flue for versatile installations
- Black brick panel floor

Optional Features

- Louvers
- Glass trim
- Finishing trim
- Double screen doors (flush)
- Brick panels
- Variable speed blower
- FireGenie® Remote Control
- Wall thermostat
- Vertical or horizontal vent terminations
- LP conversion kit
- Heat Wave™ Power Duct Kit
- Heat Release™ Kit
- AstroCap™ Venting System

Panorama® P40 & P42

Large Gas Fireplaces



P40 shown with black louvers and brick panels.

Continuing the standard set by the P48, the P42 delivers 35,000 BTU of consistent, controllable high efficiency heat for average sized living areas. The exceptional, full bodied flame can be enjoyed at 50% turn-down for maximum comfort choice.

Another option for medium sized living areas, the P40 features the Trinity Flame™ and FireWizard™ Remote control. Designed to simulate a real fire from full robust flames down to burning embers, enjoy the latest in gas fire technology and heat control.





P42 shown with full screen doors in black and brick panels.



P40 shown with gold louvers and brick panels.



P42 shown with full screen door in brushed nickel and brick panels.



P42 shown with stainless steel louvers and brick panels.

Specifications (NG)	P40	P42
Input (BTU)	45,000	35,000
Turn down to (BTU)	13,000	17,500
EnerGuide Rating (Canada only)	76.34%	63.2%
Efficiency (steady state)	80%	82%

Unit Dimensions	P40	P42
Width	40"	40"
Height	34"	34"
Depth	20-1/16"	18-5/8"
View area	699 sq.in.	604 sq.in.

* For propane (LP) specs please see page 26.
For detailed specifications please see pages 23-31.

Standard Features

- Flush front with ceramic safety glass
- Trinity Flame™ (P40 only)
- Oak logs with platinum bright embers
- Old Town Red (P42 & P40) or Rustic Brown (P40) brick panels in standard design
- FireWizard™ Remote Control (P40 only)
- Standing pilot with direct spark ignition (P40 only)
- Black brick panel floor (P40 only)
- Variable speed blower

Optional Features

- Louvers
- Full screen doors
- Glass bay front (P42 only)
- Double screen doors (P42 only)
- Finishing trim
- FireGenie® Remote Control (P42 only)
- Choice of NG or LP
- Vertical or horizontal vent terminations
- Heat Wave™ Power Duct Kit
- Heat Release™ Kit
- AstroCap™ Venting System

Panorama® P36 & P36D

Medium Gas Fireplaces



Panorama P36 Gas Fireplace featuring Balmoral front in Smithy Black, 3-panel door, FireArt™ and brick panels.

The most popular fireplace size is available in both a slim and deep box; designed to deliver a beautiful fire and efficient heat to most common family rooms, dens and bedrooms.

With the versatile Panorama P36, you can turn a traditional fireplace into a dynamic part of your home décor. Add a touch of elegance with the gentle arch of the Kensington or bring Arts & Crafts styling to your hearth with the clean lines of the Balmoral. Customize with warm finishes, screen doors and decorative accents - make it your Regency, right down to the last detail.





Panorama P36 Gas Fireplace featuring Kensington front in Tawny Copper, keystone, FireArt™, 2-panel door and brick panels.



P36 shown with Tripoli front and brick panels.

P36 shown with louvers, double screen doors, brick panels and finishing trim.

P36 shown with Barcelona surround and brick panels.

Specifications	Natural Gas	Propane
Input (BTU)	30,000	30,000
Turn down to (BTU)	15,500	15,000
EnerGuide Rating (Canada only)	62.70%	62.70%
Efficiency (steady state)	82%	82%

Unit Dimensions	
Width	36"
Height	30-1/2"
Depth P36	12-3/4"
Depth P36D	17-1/8"

For detailed specifications please see pages 23-31.

Standard Features

- Beautiful fire with glowing logs, fire grate and platinum bright embers
- 452 sq. in. viewing area
- Flame height adjustment control with up to 50% turn down
- Louver mounted controls
- Flush front with ceramic safety glass
- Black brick panel floor (P36D only)

Optional Features

- Slim or deep fire
- Glass bay front
- Louvers
- Glass trim & Finishing trim
- Double screen doors (flush)
- Full screen doors (flush)
- Tripoli™ 3 panel arch door and frame (flush)
- Kensington, Balmoral, Barcelona surrounds
- Brick panels
- Variable speed blower
- FireGenie® Remote Control
- LP conversion kit
- Vertical or horizontal vent terminations
- AstroCap™ Venting System

Panorama® P33

Small Gas Fireplace



Panorama P36 Gas Fireplace featuring brushed copper full screen doors and brick panels.

Perfect for smaller living spaces, the P33 offers the stylish options of the Panorama family in a compact size. This slim fireplace is frequently featured in bedrooms, kitchens and dens; quietly warming or dramatically focusing attention on the incredible Regency fire.





P33 Gas Fireplace featuring gold louvers, finishing trim and herringbone brick panels.



P33 shown with black full screen doors and brick panels.



P33 shown with brushed steel louvers, double screen doors, brick panels and black finishing trim.



P33 shown with black louvers and black finishing trim.

Specifications	Natural Gas	Propane
Input (BTU)	22,500	21,500
Turn down to (BTU)	10,500	10,500
EnerGuide Rating (Canada only)	62.49%	65.03%
Efficiency (steady state)	76%	77%

Unit Dimensions	
Width	33"
Height	29"
Depth	12-3/4"

For detailed specifications please see pages 23-31.

Standard Features

- Beautiful fire with glowing logs, fire grate and platinum bright embers
- 45° flue for versatile installations
- 416 sq. in. viewing area
- Flame height adjustment control with up to 50% turn down
- Louver mounted controls
- Flush front with ceramic safety glass

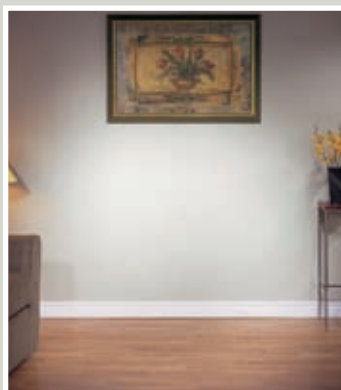
Optional Features

- Glass bay front
- Louvers
- Glass trim & Finishing trim
- Double screen doors (flush)
- Full screen doors (flush)
- Brick panels
- Variable speed blower
- FireGenie® Remote Control
- Wall thermostat
- LP conversion kit
- Vertical or horizontal vent terminations
- Heat Wave™ Power Duct Kit
- AstroCap™ Venting System



1-2-3 Instant fireplace

No chimney? No problem! Imagine a fireplace in your favorite spot and it can be done as easy as 1, 2, 3 with the Regency® Instant Fireplace. Enjoying a beautiful new fireplace is simple, because you no longer need a chimney! In just a few hours you can enjoy an exceptional full fireplace, while others are still looking at brick and wood samples. Here's how it's done:



CHOOSE YOUR LOCATION

Imagine a spot in your home where you would enjoy cozy family gatherings or romantic moments.

SELECT A FIREPLACE

Choose from a wide range of Regency Panorama® Fireplaces and accessories.

PICK THE PERFECT MANTEL

Finish your fireplace with one of many completely finished mantels designed specifically for your Regency Fireplace.

NO CHIMNEY? NO PROBLEM!

Direct vent technology means you no longer need an expensive, elaborate chimney. Simply vent your fireplace through an outside wall and finish it with the designer AstroCap™.

comfort controls

FireGenie® Remote Control

The FireGenie offers heat control at the touch of a button. Set the time and temperature so that your fire warms your home automatically.

FireWizard™ Remote Control

Transform your Trinity Flame™ into seven distinct profiles with the FireWizard Remote Control. The lowest setting ignites the embers to create an after fire look. As you increase your settings, the three elements of the Trinity Flame build into a full, roaring fire. Available with P40 only.

Proflame GTM Remote Control

The Proflame GTM offers 6 stage flame control and a smart thermostat function that adjusts the flame according to the desired room temperature.

Programmable Wall Thermostat

By setting a specific temperature with a Regency wall thermostat you can maintain a constant comfort level in your home for several hours or all day long.



FireWizard



Proflame GTM



Thermostat

design choices - contemporary collection



Regency Horizon HZ54

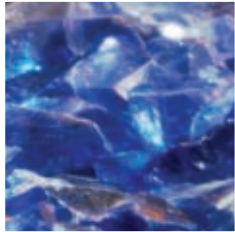


Sunrise L676S



Sunrise P33S

Firebed options



Cobalt blue crystals



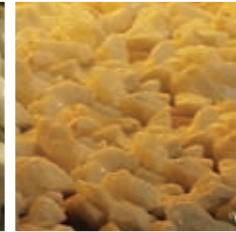
Ceramic spa stones



Log option



Natural river pebbles



White river pebbles

Accent pebbles

Surround finishes



Black



Blue



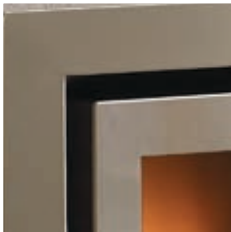
Red



Silver



Black



Brushed stainless steel



Bright stainless steel

Accessories - Contemporary Collection		P33S	L676S	HZ54
Sunrise™ fire	Cobalt blue crystals	✓	✓	✓
	Ceramic spa stones	★	★	★
Logs		★	★	-
Faceplates	Black	★	★	★
	Brushed stainless steel	★	-	★
	Bright stainless steel	-	-	★
	Red	★	★	-
	Blue	★	★	-
	Silver (painted)	-	★	-
Inside Panels	Stainless steel reflective panels	★	★	★
	Black enamel reflective panels	-	★	-
	Black panels (painted)	✓	★	✓
Accent pebbles (for firebox floor)	Natural river pebbles	★	-	★
	White river pebbles	★	-	★
Proflame GT remote control	★	★	★	
Wall mounted On/Off switch	✓	✓	✓	
Variable speed blower	★	-	-	
Direct Vent	✓	✓	✓	
AstroCap™ Venting System	★	★	★	
LP conversion kit	★	★	-	

- Not available
- ✓ Standard
- ★ Optional



design choices - traditional collection

Fronts



Liberty clean face style



Flush front



Bay front (glass)



Double screen doors



Full screen doors

Louvers



Gold*



Brushed Steel



Black

Glass Trim



Gold*



Brushed Steel

Excalibur surround finishes



Polished Gold*



Antique Nickel**



Black



Antique Gold



Antique Copper**

Full Screen Doors



Black



Brushed Copper**



Brushed Nickel**

Kensington & Balmoral finishes



Tawny Copper



Smithy Black

Brick Panels



Herringbone - Rustic Brown



Standard - Rustic Brown



Standard - Old Town Red

FireArt™ ***



* 24 k gold plated

** Brushed & Antique Copper and Brushed & Antique Nickel finishes might not appear exactly as shown. These finishes are made from genuine copper and nickel that will naturally change tone over time.

*** Removable FireArt™ comes with Kensington and Balmoral fronts.



Balmoral surround

Kensington surround

Tripoli™ door

Barcelona surround

Excalibur surround

Accessories - at a glance		L900	L676	P95	P90	P48	P42	P40	P36	P36D	P33	P131	P121	
Flush Front	Glass	✓	✓	✓	✓	✓	✓	✓	✓	✓	✓	✓	✓	
Bay Front	Glass	-	-	-	-	-	★	-	★	★	★	-	-	
Classic look	Louvers	Black	-	-	-	★	★	★	★	★	★	★	★	
		Black/Brushed Steel	-	-	-	-	★	★	-	★	★	★	★	
		Black/Gold	-	-	-	-	★	★	★	★	★	★	★	
	Double Screen Doors	Black	-	-	-	-	★	★	-	★	★	★	-	-
		Glass Trim Flush	Brushed Steel	-	-	-	★	-	-	★	★	★	★	★
		Glass Trim Bay	Gold	-	-	-	-	★	-	★	★	★	-	-
		Finishing Trim	Black	-	-	-	-	★	★	★	★	★	-	★ ¹
Excalibur Arch Surrounds	Surround	Polished Gold	-	-	★	★	-	-	-	-	-	-	-	
		Antique Gold	-	-	★	★	-	-	-	-	-	-	-	
		Antique Nickel	-	-	★	★	-	-	-	-	-	-	-	
		Antique Copper	-	-	★	★	-	-	-	-	-	-	-	
		Black	-	-	★	★	-	-	-	-	-	-	-	
	Excalibur double screen doors	Polished Gold	-	-	★	★	-	-	-	-	-	-	-	-
		Antique Gold	-	-	★	★	-	-	-	-	-	-	-	-
		Antique Nickel	-	-	★	★	-	-	-	-	-	-	-	-
Surrounds	Barcelona	Black	-	-	-	-	-	-	★	★	-	-	-	
		Kensington (2 or 3-panel door)	Tawny Copper	-	-	-	-	-	-	★	★	-	-	-
			Smithy Black	-	-	-	-	-	-	-	★	★	-	-
		Balmoral (2 or 3-panel door)	Tawny Copper	-	-	-	-	-	-	-	★	★	-	-
Smithy Black	-		-	-	-	-	-	-	★	★	-	-		
Doors	Full Screen Doors	Black	-	-	-	-	★	★	★	★	★	-	-	
		Brushed Nickel	-	-	-	-	-	★	-	★	★	★	-	
		Brushed Copper	-	-	-	-	-	★	-	★	★	★	-	
	Tripoli 3-panel Arch	Black	-	-	-	-	-	-	★	★	-	-	-	
Patterned Grills	Black	-	-	-	-	-	-	-	-	-	★	★		
Brick panels	Standard - Rustic Brown	★	★	★	★	★	-	★	★	★	★	-	-	
	Standard - Old Town Red	★	★	★	★	★	✓	★	★	★	★	✓	✓	
	Herringbone - Rustic Brown	-	-	★	★	★	-	-	★	★	★	-	-	
Trinity Flame™	✓	✓	-	-	-	-	✓	-	-	-	-	-		
Blower (with fan speed controller)	-	-	✓	✓	★	✓	✓	★	★	★	-	-		
Blower (1-speed wall switch)	-	-	-	-	-	-	-	-	-	-	✓	✓		
Programmable Thermostat	-	-	★	★	★	★	-	★	★	★	★	★		
FireGenie™ Remote Control	-	-	★	★	★	★	-	★	★	★	★	★		
FireWizard™ Remote Control	-	-	-	-	-	-	✓	-	-	-	-	-		
Proflame GTM Remote Control	✓	✓	-	-	-	-	-	-	-	-	-	-		
Wall Switch	✓	✓	✓	✓	★	✓	★	★	★	★	✓	✓		
Louver Mounted on/off Switch	-	-	-	-	✓	-	✓	✓	✓	✓	-	-		
Heat Wave™ Power Duct System ²	★	★	★	★	★	★	★	★	★	★	★	-	-	
Heat Release™ Kit ²	★	★	★	★	★	★	★	★	★	★	-	-	-	

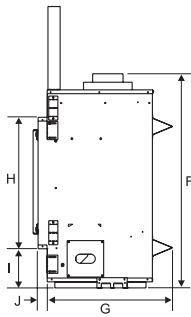
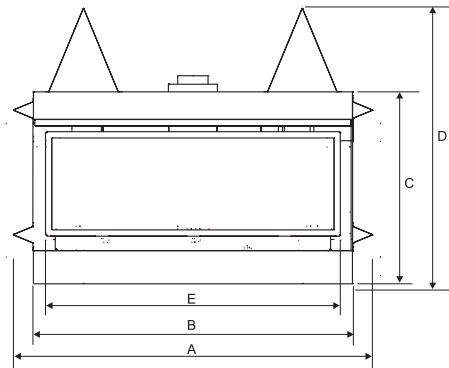
- Not available
- ✓ Standard
- ★ Optional

1 Not available for corner units
2 Not certified for corner applications

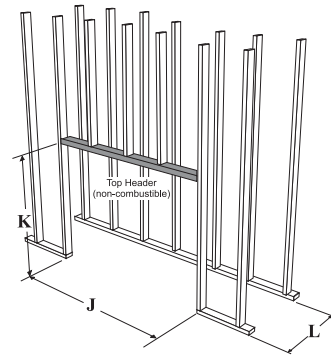
specifications

Specifications		Input (BTU)		Turn Down to (BTU)		EnerGuide Rating (Canada only)		Efficiency (steady state)	
		NG	LP	NG	LP	NG	LP	NG	LP
Contemporary Collection	HZ54	41,500	N/A	29,000	N/A	55.08%	N/A	69%	N/A
	L676S	29,000	26,000	19,500	21,000	60.97%	61.89%	67%	67%
	P335	17,000	15,500	12,000	12,000	65.08%	64.70%	67%	68%
Liberty	L900	41,500	38,500	28,000	31,000	51.25%	54.37%	58%	61%
	L676	33,000	31,500	22,000	25,000	45.75%	51.85%	52%	58%
Excalibur	P95	45,000	40,000	23,200	22,400	66.76%	67.48%	75%	77%
	P90	35,000	35,000	18,200	17,950	67.75%	67.75%	75%	75%
Panorama	P131	40,000	39,000	20,000	19,500	60.66%	62.51%	75%	76%
	P121	40,000	39,000	20,000	19,500	60.66%	62.51%	75%	76%
	P48	51,000	48,000	29,000	26,000	62.30%	62.51%	70%	70%
	P42	35,000	35,000	17,500	17,500	63.2%	63.2%	82%	83%
	P40	45,000	43,000	13,000	12,000	76.34%	77.26%	80%	81%
	P36D	30,000	30,000	15,500	15,000	64.62%	64.62%	82%	82%
	P36	30,000	30,000	15,500	15,000	62.70%	62.70%	82%	82%
	P33	22,500	21,500	10,500	10,500	62.49%	65.03%	76%	77%

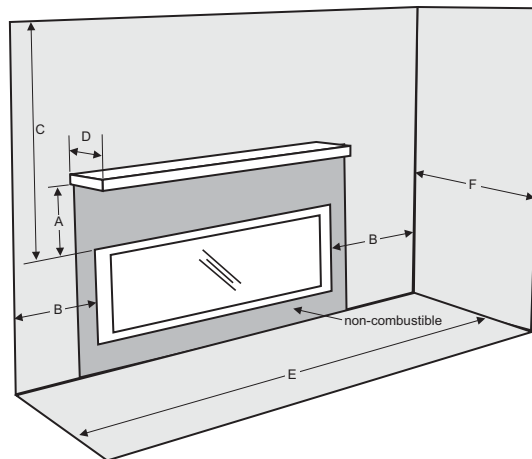
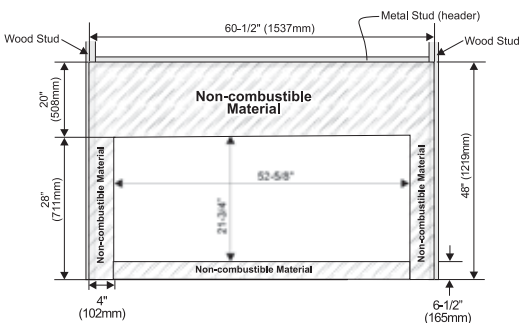
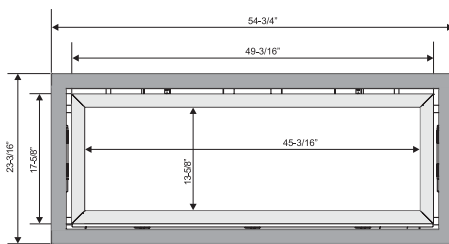
Regency Horizon™ HZ54



Dimensions	HZ54
Flue size	5" x 8"
A	59"
B	52-5/8"
C	31-5/8"
D	46-3/8"
E	48-1/2"
F	35-1/4"
G	20-1/2"
H	21-5/8"
I	6-1/2"
J	1-1/2"



Framing	HZ54
J	60"
K	46-5/8"
L	22"
N	72"
O	101-7/8"

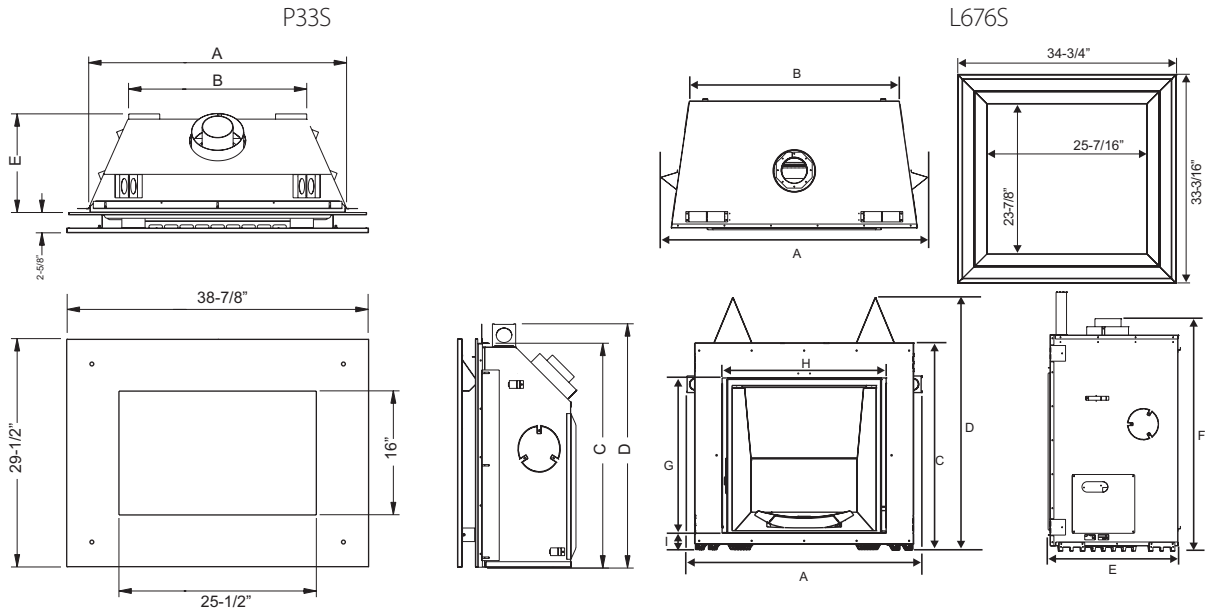


Clearances	HZ54
A	20"
B	4"
C	40-7/8"
D	13"
E	83"
F	36"

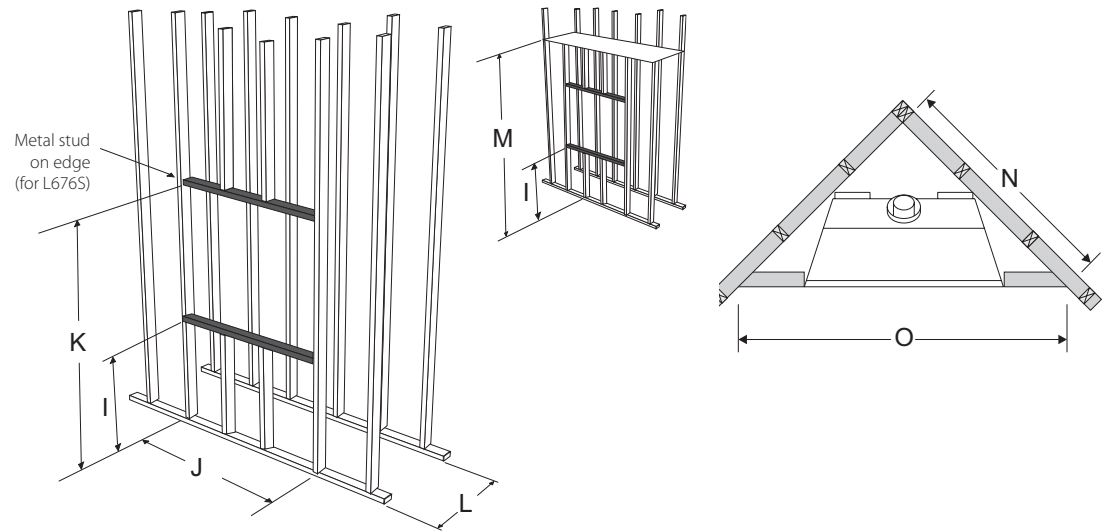
NOTE: All product specifications are subject to change without notice. Before installing refer to the relevant product manual for full and up to date information. Manuals can be downloaded from our web site www.regency-fire.com



Dimensions	P33S	L676S
Flue size	4" x 6-5/8"	5" x 8"
A	33-5/8"	42-1/2"
B	23"	33-1/8"
C	29"	37-3/8"
D	31-1/2"	45-5/8"
E	12-3/4"	24-1/2"
F	29"	40-3/8"
G	--	29-1/16"
H	--	31-5/8"
I	--	3"

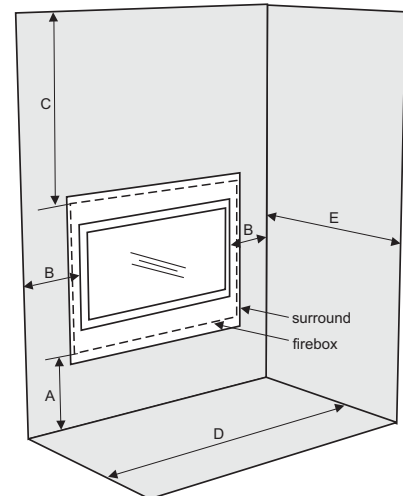


Framing	P33S	L676S	
I	12"	3"	
J	33-1/4"	43"	
K	31-3/4"	45-7/8"	
L	vertical rise	19-1/2"	25-3/4"
	horizontal rigid	16-1/2"	25-3/4"
	horizontal flex	12-3/4"	25-3/4"
M	rigid	46-7/8"	79"
	flex	42-7/8"	79"
N	37-1/2"	57-3/16"	
O	53-1/4"	80-13/16"	

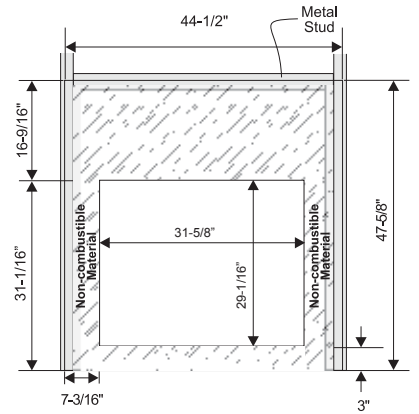


Clearances	P33S	L676S*
A	12"	3"
B	9-1/2"	14-3/4"
C	35"	52"
D	48"	84"
E	36"	36"

* Note: L676S requires non-combustible facing, see drawing beside.
For mantel type installations, please consult manual.

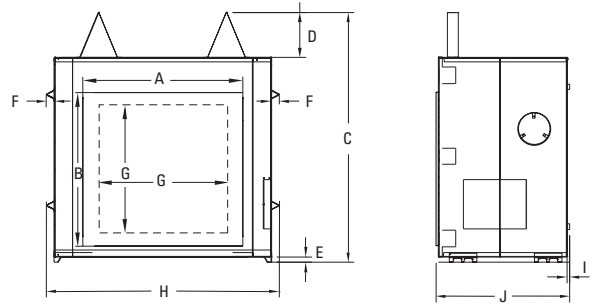


L676S only



Liberty direct vent fireplaces L900 / L676

Dimensions	L676	L900
Viewing area	676 sq.in.	900 sq.in.
Flue size	5/8"	5/8"
A	29-5/8"	33-5/8"
B	28-1/16"	32-1/16"
C	45-5/8"	50-3/8"
D	8-1/4"	9"
E	1"	1"
F	1-1/2"	1-7/8"
G	26"	30"
H	42-1/2"	51-1/2"
I	1/2"	2"
J	24-1/2"	27"

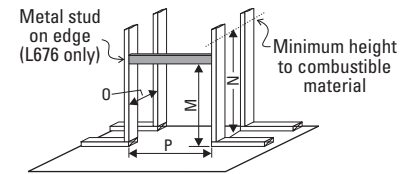
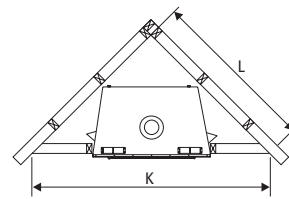


Framing - Top View

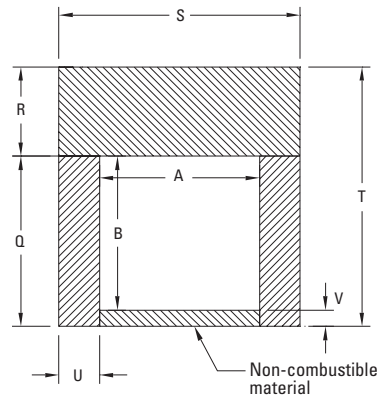
Framing - Front View

Framing	L676	L900
K	80-13/16"	90-7/16"
L	57-3/16"	63-15/16"
M*	45-7/8"	50-3/4"
N	79"	83"
O	25-3/4"	26-1/2"
P	43"	52"

* Metal stud required.



Non-combustibles	L676	L900
Q	31-1/16"	35-1/16"
R	16-9/16"	17-7/16"
S	44-1/2"	53-3/4"
T	47-5/8"	52-1/2"
U	7-3/16"	10-1/16"
V	3"	3"

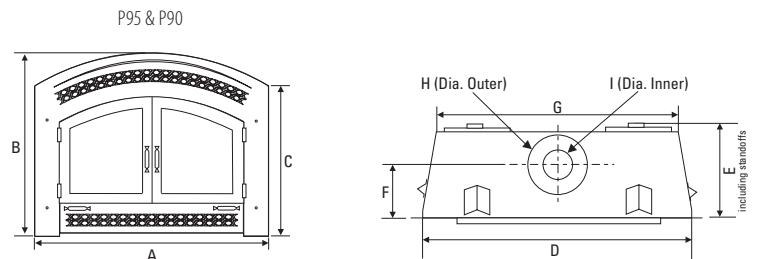


Mantel clearances***	L676	L900
3-1/2" depth mantel	17-1/2"	18-1/2"
13" depth mantel	26-1/2"	27-1/2"

*** from top of fireplace opening (B)
No hearth required.

Excalibur direct vent fireplaces P95/P90 - Dimensions

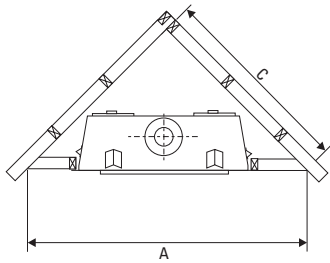
Dimensions	P95	P90
A	45-3/4"	37"
B	32-7/8"	29-1/4"
C	27-5/8"	24"
D	48-1/2"	42"
E	21-1/8"	19-1/4"
F	12-3/8"	10-7/8"
G	36"	31"
H	8"	6-5/8"
I	5"	4"
Unit height	41-3/4"	38"



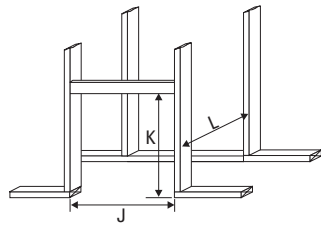
Excalibur direct vent fireplaces P95/P90 - Framing



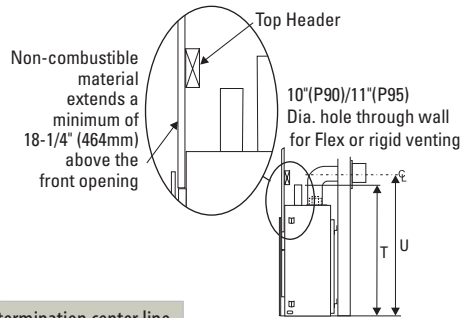
FRAMING - TOP VIEW CORNER INSTALL



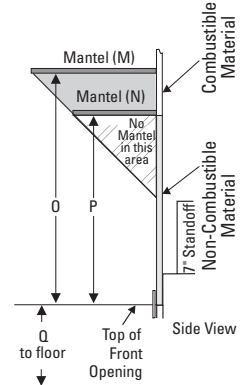
FRAMING - FRONT VIEW



MINIMUM TERMINATION CENTER LINE



MANTEL CLEARANCES - SIDE VIEW



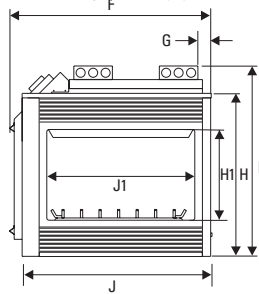
Minimum clearances to combustibles/framing					
	A	C	J	K	L
P95	80-1/4"	56-3/4"	53-3/8"	50-1/8"	21-1/4"
P90	70-1/2"	49-7/8"	46-1/2"	46-3/8"	19-1/2"

Minimum termination center line		
	T	U
P95	48-3/4"	53-3/4"
P90	45"	48"

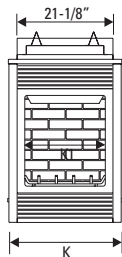
Mantel clearances					
	M	N	O	P	Q
P95	12"	0-4"	22"	18"	31-7/8"
P90	12"	0-8"	22-1/4"	18-1/4"	27-3/4"

Panorama P131/121

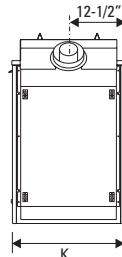
P131 / P121 Front



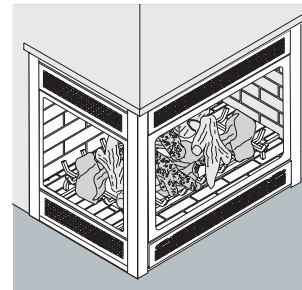
P131 Side



P131 Back / P121 Side



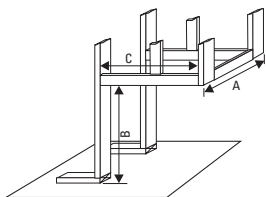
P121 Corner Installation



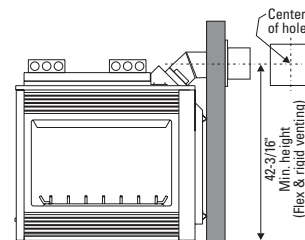
Dimensions	F	G	H	H1	I	J	J1	K	K1
P131	44-1/2"	3"	36"	20"	42"	41-1/2"	32-1/2"	25"	--
P121	46-1/4"	4-3/4"	36"	20"	42"	43-1/2"	32-1/2"	25"	17-3/4"
P121LC/RC	44-1/2"	4-3/4"	36"	20"	42"	41-1/2"	32-1/2"	26-13/16"	17-3/4"

Note: For P121 there is a 2-3/4" vent heat shield on the vent end of the fireplace. Please allow appropriate space for center positioning.

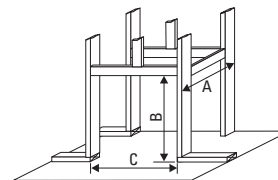
P131 FRAMING - FRONT VIEW



P131 / P121 MINIMUM TERMINATION CENTER LINE



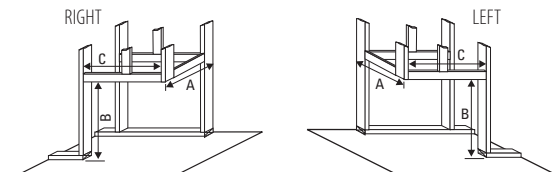
P121 FRAMING - FRONT VIEW



Framing	A	B	C
P131	25" minus two times the finishing material thickness*	42-1/2"	45" minus one time the finishing material thickness*
P121 (see-thru)	25" minus two times the finishing material thickness*	42-1/2"	46-3/4"
P121LC/RC	26-13/16" minus one time the finishing material thickness*	42-1/2"	45" minus one time the finishing material thickness*

* Finish material thickness includes: drywall, ceramic tile, slate, etc.

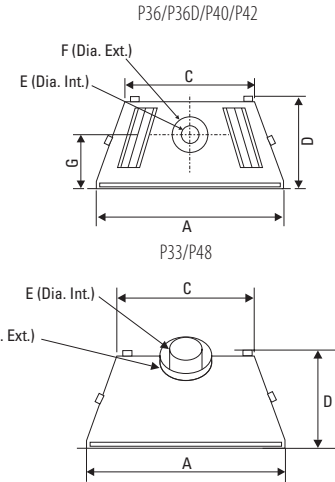
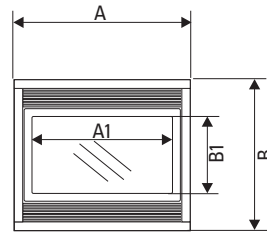
P121 FRAMING - CORNER VIEW



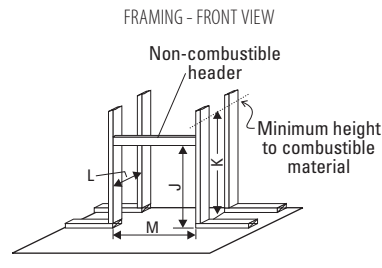
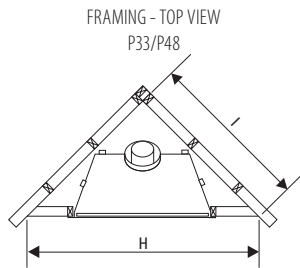
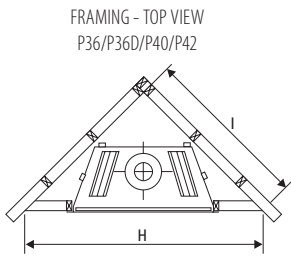
Panorama direct vent fireplaces

dimensions

	A	B	A1	B1	C	D	E	F	G
P48	48"	41"	40-1/16"	23-5/16"	34-1/2"	23-1/4"	5"	8"	--
P42	40"	34"	32-7/8"	18-7/16"	24-1/4"	18-5/8"	4"	6-7/8"	11"
P40	40"	34"	32-1/2"	21-7/16"	33-7/16"	20-1/16"	5"	8"	10-5/8"
P36D	36"	30-1/2"	29-3/16"	15-1/2"	33-1/4"	17-1/8"	4"	6-7/8"	11-1/4"
P36	36"	30-1/2"	29-3/16"	15-1/2"	33-1/4"	12-3/4"	4"	6-7/8"	7-1/4"
P33	33"	29"	26"	16"	23"	12-3/4"	4"	6-7/8"	--

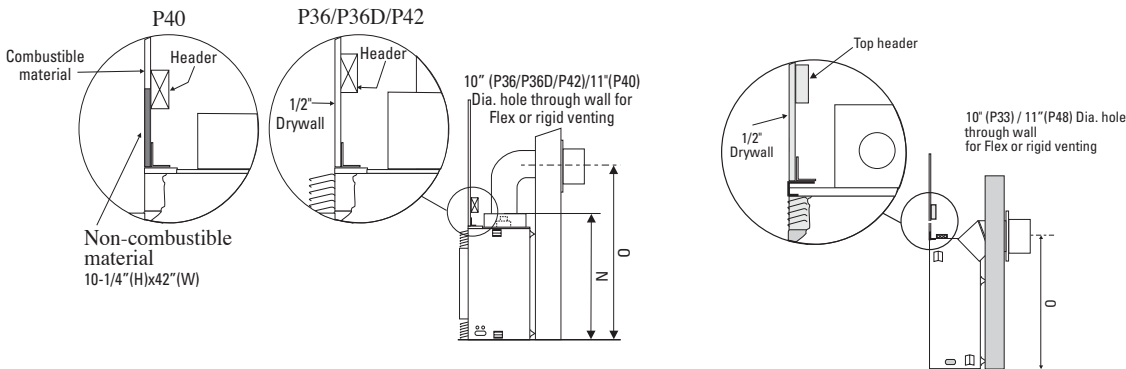


framing

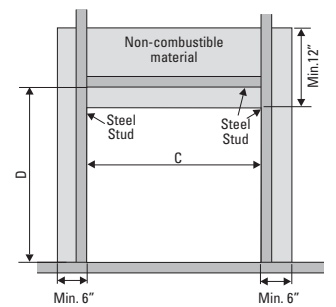


MINIMUM TERMINATION CENTER LINE
P36/P36D/P40/P42

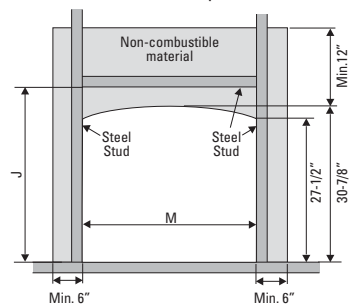
MINIMUM TERMINATION CENTER LINE
P33/P48



FRONT FRAMING DIMENSIONS***
P36 /P36D Barcelona, Kensington, Balmoral



FRONT FRAMING DIMENSIONS***
P36 /P36D Tripoli



Framing (horizontal termination)	Minimum termination center line							
	H	I	J	K*	L	M	N	O
P48	81-1/2"	57-5/8"	47-1/2"	49-1/2"	26-1/4"	48-1/2"	--	43"
P42	63-5/16"	44-3/4"	36-5/8"	47-7/8"	19"	40-1/4"	35-5/8"	43"
P40**	71-5/8"	50-5/8"	42-1/2"	51-3/8"	20-1/16"	40-1/2"	42-1/4"	45-3/8"
P36	60"	42-7/16"	36-1/4"	46"	12-3/4"	36-1/4"	36"	40-1/2"
P36 Deep	68"	48"	37-1/4"	46-1/2"	17-3/8"	36-1/4"	36"	40-1/2"
P36 Barcelona***	60"	42-7/16"	36-1/4"	46"	12-3/4"	36-1/4"	36"	40-1/2"
P36 Barcelona Deep***	68"	48"	37-1/4"	46-1/2"	17-3/8"	36-1/4"	36"	40-1/2"
P36 Kensington***	60"	42-7/16"	36-1/4"	46"	12-3/4"	36-1/4"	36"	40-1/2"
P36 Kensington Deep***	68"	48"	37-1/4"	46-1/2"	17-3/8"	36-1/4"	36"	40-1/2"
P36 Balmoral***	60"	42-7/16"	36-1/4"	46"	12-3/4"	36-1/4"	36"	40-1/2"
P36 Balmoral Deep***	68"	48"	37-1/4"	46-1/2"	17-3/8"	36-1/4"	36"	40-1/2"
P36 Tripoli	60"	42-7/16"	36-1/4"	46"	12-3/4"	36-1/4"	36"	40-1/2"
P36 Tripoli Deep	68"	48"	37-1/4"	46-1/2"	17-3/8"	36-1/4"	36"	40-1/2"
P33 (Flex venting)	53-1/4"	37-1/2"	31-3/4"	31-7/8"	12-3/4"	33-1/4"	--	26"
P33 (Rigid venting)	53-1/4"	37-1/2"	31-3/4"	35-7/8"	16-1/2"	33-1/4"	--	30"

* When using rigid pipe.
 ** J=42-1/2" plus height of hearth.
 *** The front face of the fireplace must be made of non-combustible material including framing. Framing material should be made of metal studs. See manual for details.
 For vertical termination or vertical rise with horizontal termination please refer to manual.

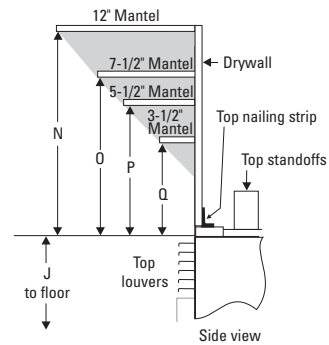


Mantel Clearances	J	N	O	P	Q
P48	41"	15"	--	10"	8"
P42	32-1/4"	14"	10"	--	7"
P40	33"	21"	16-1/4"	15-1/2"	14"
P36 Flush	30-1/2"	14"	10"	--	7"
P36 Bay	30-1/2"	13"	10"	--	7"
P36 Deep Flush	30-1/2"	14"	10"	--	7"
P36 Deep Bay	30-1/2"	13"	10"	--	7"
P36 Barcelona	30-1/2"	17"	12"	--	8"
P36 Barcelona Deep	30-1/2"	17"	12"	--	8"
P36 Kensington/Balmoral	30-1/2"	20"	12"	--	--
P33	29"	11"	9"	--	7"
P121	36"	7"	--	--	3"
P131	36"	7"	--	--	3"

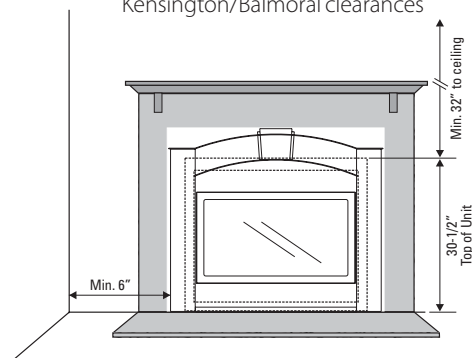
Hearth***	Width	Depth	Height
P40	40"	16"	1-1/2"

*** No hearth required when unit is raised 4"

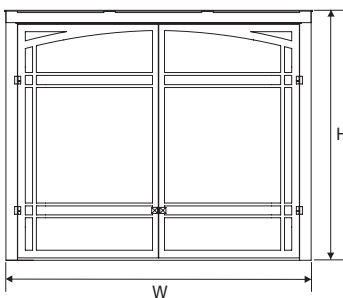
MANTEL CLEARANCES - SIDE VIEW



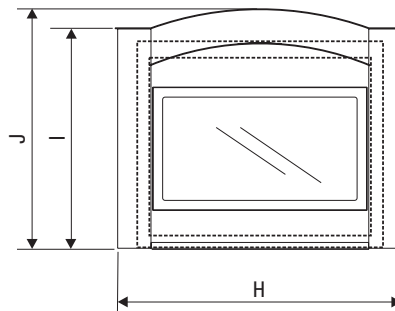
Kensington/Balmoral clearances



Full screen doors



The Kensington/Balmoral



Full Screen Door Dimensions (including trim)			
	W	H	Depth
P42	43-15/16"	36-1/32"	1-5/8"
P40	43-15/16"	36-1/32"	1-5/8"
P36/P36D	40-3/16"	32-5/8"	1-5/8"
P33	37"	31"	1-5/8"

Front Dimensions	Kensington	Balmoral
H	42-58"	40-5/8"
I	33-1/8"	34-1/4"
J	36"	--
Depth	2-1/2"	2-1/2"

Canada

ENERGUIDE

Look for the **ENERGUIDE**
Gas Fireplace Energy
Efficiency Rating in this brochure

Based on CSA P.4.1-02

All products tested to the following standards: GRAVITY DIRECT VENT WALL FURNACE TESTED AND APPROVED FOR U.S.A AND CANADA TO: CAN/CGA-2.17-M91, (ANSI Z21.88b-1999/CSA 2.33b-M99).
NOTE: All product specifications are subject to change without notice. Before installing refer to the relevant product manual for full and up to date information.



design your own fireplace

Your Regency® matches your home and lifestyle perfectly. How do we know that? Because you designed it yourself!

Visit www.regency-fire.com today and surf through our selection of products and accessories to design your own fireplace. The endless options are just a click away! Change the style until you have your perfect fireplace... then ask your friends and family for their opinion!

Click on Fireplace Design Centre at www.regency-fire.com and then visit your authorized local dealer to design your own fireplace.

fireplace selection worksheet

We want you to enjoy your beautiful Regency fireplace for years to come. To help you figure out which product is just right for your home, fill in the following worksheet. Once complete, visit your nearest Regency dealer. Your professional Regency dealer will assess your needs - including local building codes - and install your Regency.

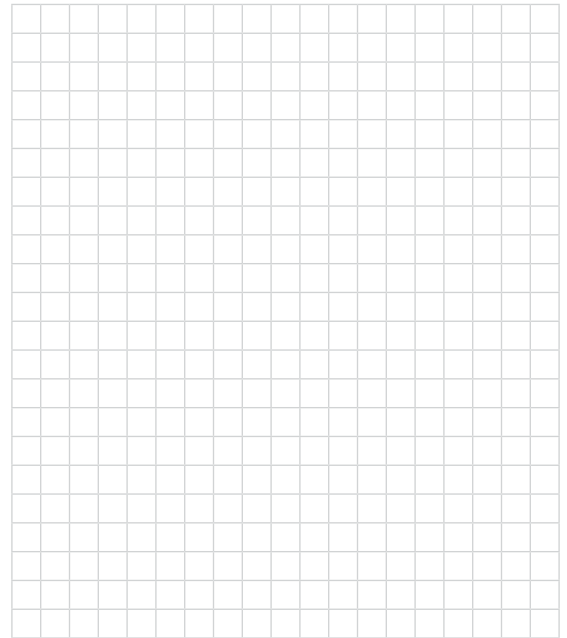
1. BASIC PRODUCT FUNCTION QUESTIONS

- a. I would like my fireplace to provide me with: Supplemental heating Priority heating
- b. The room/rooms I would like to heat are: _____ Square feet
- c. My fuel source will be: Natural gas Propane
- Has it been piped to the proposed fireplace area? Yes No

2. FIREPLACE PRODUCT TYPE AND MEASUREMENTS

- a. I am: Installing a new fireplace Installing into an existing fireplace
- b. Fill in the following measurements:
 Ceiling Height: _____
 Location in the room: _____
- c. What is the:
 Flooring material: _____
 Wall material: _____
 Ceiling material: _____
- d. Fireplace opening dimensions
 Width (front) _____
 Width (back) _____
 Height _____
 Depth _____

Draw the desired position of your new fireplace. Please include placement of door, windows, outlets and any other obstructions.



your regency dealer