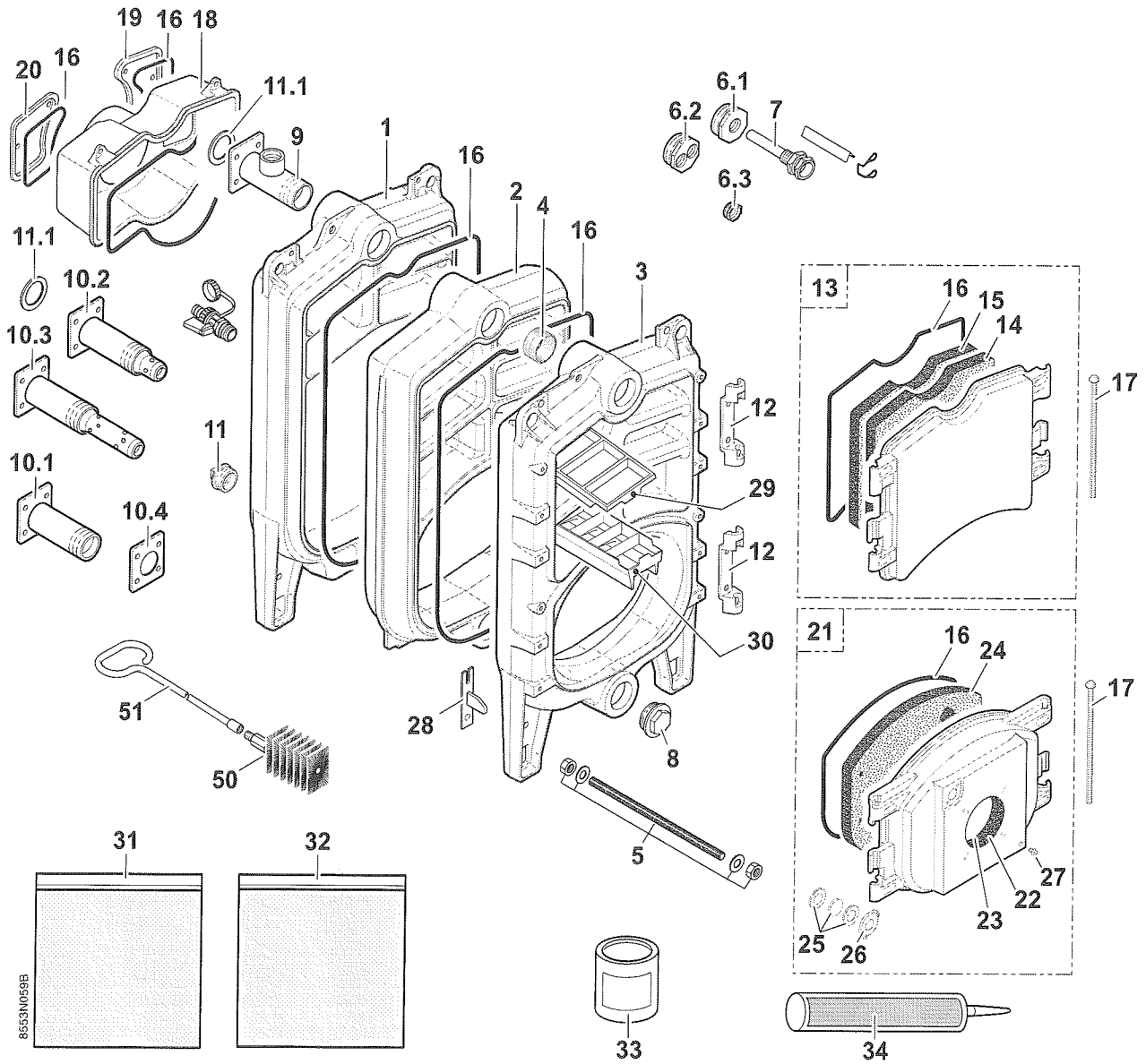


# Spare parts - P 320

**i** To order a spare part, quote the reference number next to the part required.

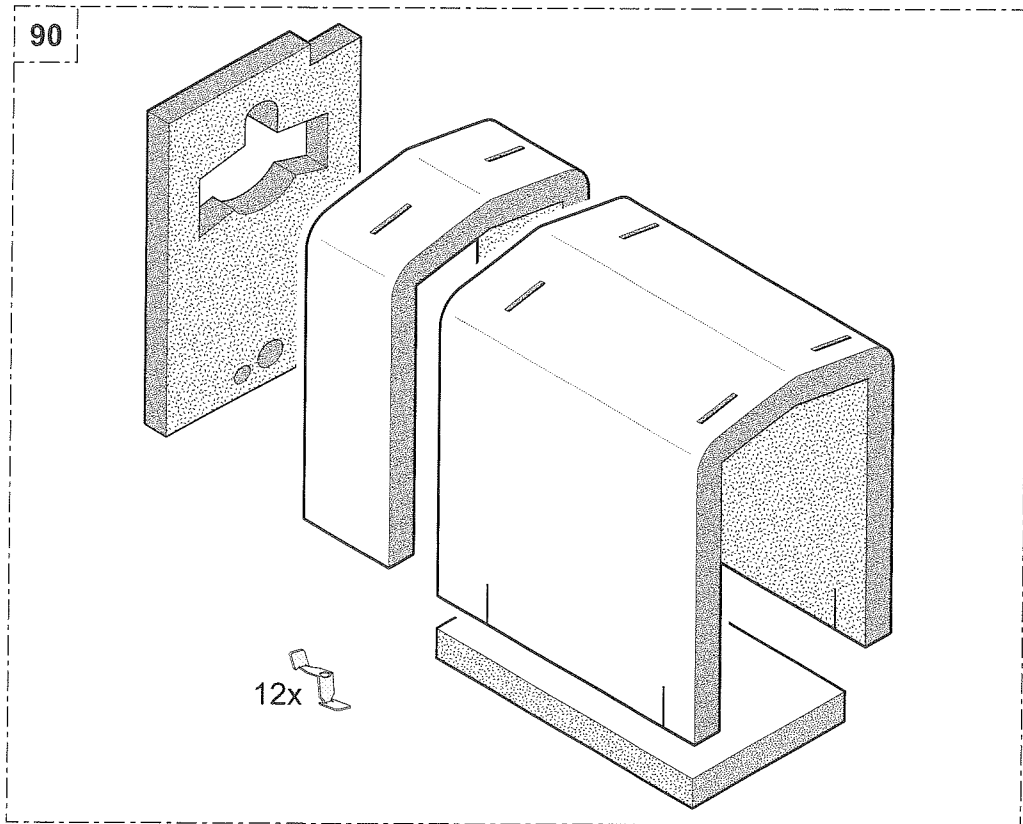
06/04/06 - UK300004553-002-A

## Boiler body

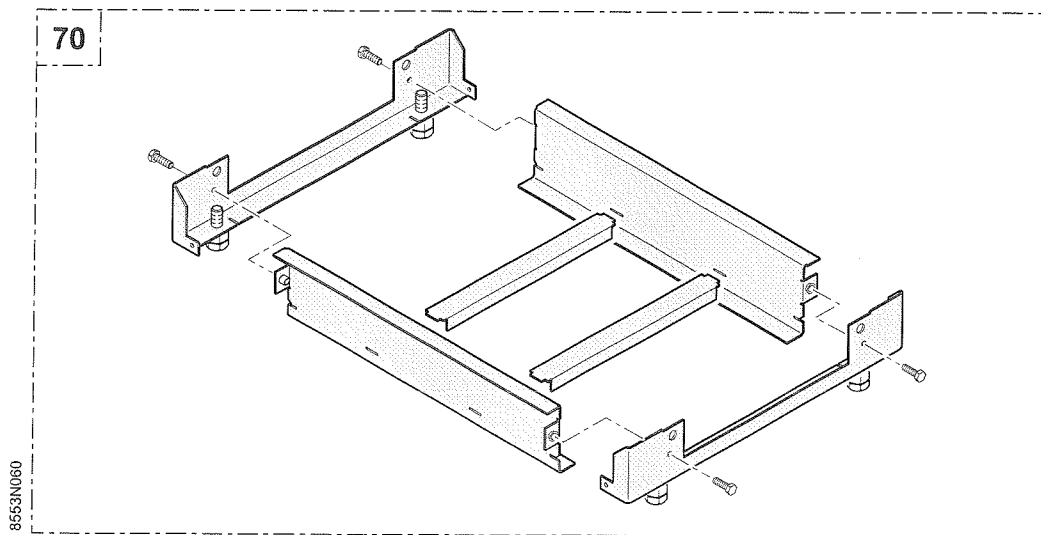


8553N059E

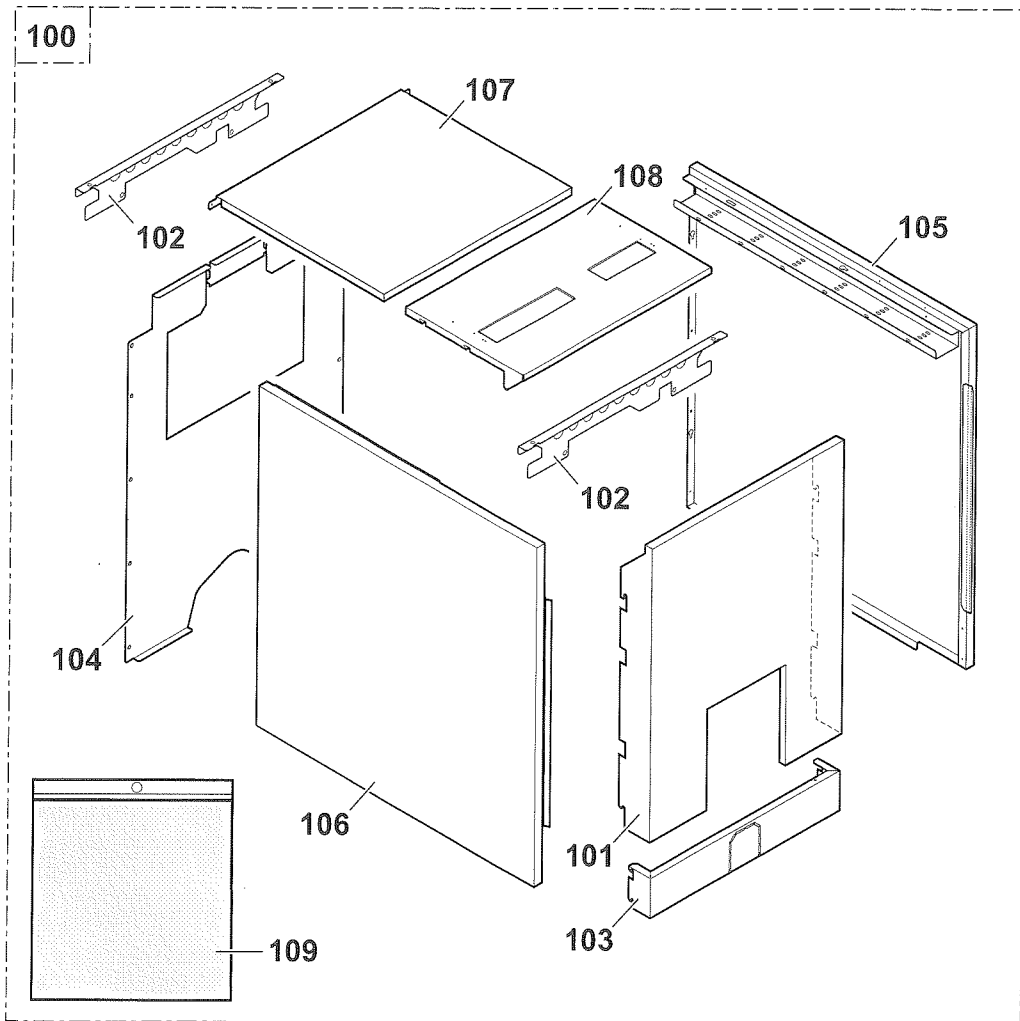
## Insulation



## Base frame

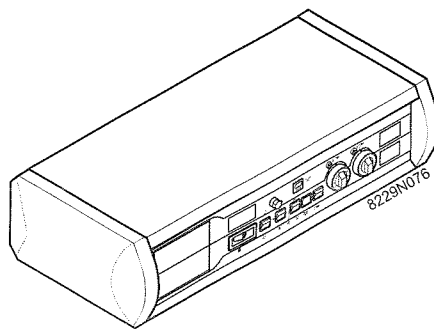


# Cladding



8553N062

# Table - RC 1



Markers	Code no.	Description
		<b>Boiler body</b>
1	82198912	Complete rear section
2	8219-8966	Special intermediate section
3	8219-8976	Complete front section
4	8116-0571	Nipple
5	8219-8968	Complete assembly rod, 4 sections
5	8219-8969	Complete assembly rod, 5 sections
5	8219-8970	Complete assembly rod, 6 sections
5	8219-8971	Complete assembly rod, 7 sections
5	8219-8972	Complete assembly rod, 8 sections
5	8219-8973	Complete assembly rod, 9 sections
6.1	8202-0028	Plug 2 1/2" - 1/2"
6.2	8209-0049	Plug 2 1/2" - 1/2" - NL
6.3	94948080	Nipple N 241 - 1/2"x1/4"
7	9536-5611	Rp 1/2 pocket
8	80013-0028	Solid plug 2" 1/2
9	8553-5513	Flow flange, 3 to 9 sections
10.1	8553-5514	Return flange, 4 to 5 sections
10.2	8553-5515	Return flange + distribution pipe, 6 to 8 sections
10.3	8553-5516	Return flange + distribution pipe, 9 sections
10.4	9754-9178	Counter flange
11	9495-0249	Male plug 290 T9 - R 1 1/2
11.1	9501-4122	Flange gasket
12	8104-8984	Hinge
13	8219-8916	Sweeping door
14	9425-0306	Inner protection, sweeping door
15	9425-0305	Insulation, sweeping door
16	9508-6032	10 Ø thermocord gasket
17	9756-0203	Pin Ø 12x350
18	8219-8913	Ø 180 complete nozzle
18	8219-8914	Ø 200 complete nozzle
19	8219-0206	Right hand nozzle cover
20	8219-0207	Left hand nozzle cover
21	8219-8953	Complete combustion chamber door, ø 135
22	9425-0303	Internal protection, combustion chamber door
23	9425-0302	Furnace door guard
24	9425-0301	Furnace door insulation
25	8015-7700	Sight glass + gaskets

Markers	Code no.	Description
26	9757-0027	Inspection flange
27	9495-0050	Plug 1/4"
28	8219-0539	Guide rail for combustion chamber door
29	8219-0017	Upper baffle plate, 410 mm
29	8219-0018	Upper baffle plate, 570 mm
30	8219-0019	Lower baffle plate, 412 mm
30	8219-0020	Lower baffle plate, 572 mm
31	8219-7724	Body screws packet
32	8219-8957	Bag of screws for furnace door
33	9430-5027	0.3 kg can nipple lubricant
34	9432-0214	Mastic Novasil S 17
		<b>Miscellaneous</b>
50	9750-5025	Brush
51	9750-5076	1000 mm brush rod
51	9750-5060	1300 mm brush rod
		<b>Base frame</b>
70	8553-7060	Complete frame 4 sections Package FD 30
70	8553-7061	Complete frame 5 sections Package FD 31
70	8553-7062	Complete frame 6 sections Package FD 32
70	8553-7063	Complete frame 7 sections Package FD 33
70	8553-7064	Complete frame 8 sections Package FD 34
70	8553-7065	Complete frame 9 sections Package FD 35
		<b>Insulation</b>
90	8553-5507	Complete boiler body insulation, 4 sections
90	8553-5008	Complete boiler body insulation, 5 sections
90	8553-5509	Complete boiler body insulation, 6 sections
90	8553-5510	Complete boiler body insulation, 7 sections
90	8553-5511	Complete boiler body insulation, 8 sections
90	8953-5512	Complete boiler body insulation, 9 sections

Markers	Code no.	Description
		<b>Cladding</b>
100	100003501	Complete cladding, 4 sections
100	100003502	Complete cladding, 5
100	100003503	Complete cladding, 6
100	100003504	Complete cladding, 7
100	100003505	Complete cladding, 8
100	100003506	Complete cladding, 9
101	200003545	Front panel
102	8553-8000	Upper crosspiece
103	8553-5506	Lower cap
104	8553-8519	Complete rear panel
105	8553-8545	Complete side panel right, 4 sections
105	8553-8546	Complete side panel right, 5 sections
105	8553-8547	Complete side panel right, 6 sections
105	8553-8548	Complete side panel right, 7 sections
105	8553-8549	Complete side panel right, 8 sections
105	8553-8550	Complete side panel right, 9 sections
106	8553-8551	Complete side panel left, 4 sections
106	8553-8552	Complete side panel left, 5 sections
106	8553-8553	Complete side panel left, 6 sections
106	8553-8554	Complete side panel left, 7 sections
106	8553-8555	Complete side panel left, 8 sections
106	8553-8556	Complete side panel left, 9 sections
107	8553-8512	Complete rear cover, 4 sections
107	8553-8513	Complete rear cover, 5 sections
107	8553-8514	Complete rear cover, 6 sections
107	8553-8515	Complete rear cover, 7 sections
107	8553-8516	Complete rear cover, 8 sections
107	8553-8517	Complete rear cover, 9 sections
108	8553-8518	Complete front cover
109	8553-8520	Screw bag
		<b>Control panel K - RC 1</b>
		Refer to the Spare Parts list in the panel instructions.