

Z-Extender™ ZXT-300 (Z-Wave-to-IR Extender) Operating Instructions

Introduction

ZXT-300 works with any Z-Wave compliant controller or gateway translating Z-Wave's Simple AV command to IR control code. User is able to set the IR code and using the larger code library of ZXT-300. It is capable to use the learning function of ZXT-300 through the simple UI on gateway or Z-Wave remote controller. It is allow to download the preset/learnt commands from gateway or Z-Wave remote controller to ZXT-300. User can enjoy the fully wireless control in anywhere at home.



Figure 1 ZXT-300

ZXT-300 Operations

Before using the ZXT-300, please read the [INSTALLATION] if it is need to mount the ZXT-300 to a wall. Power up the ZXT-300 by the supplied AC/DC adaptor.

ⓘ CAUTION

- Be sure to always use the supplied AC/DC adaptor.
- Do not try to power up other device with the supplied AC/DC adaptor. This could damage the AC/DC adaptor or the connected device.

Configurations

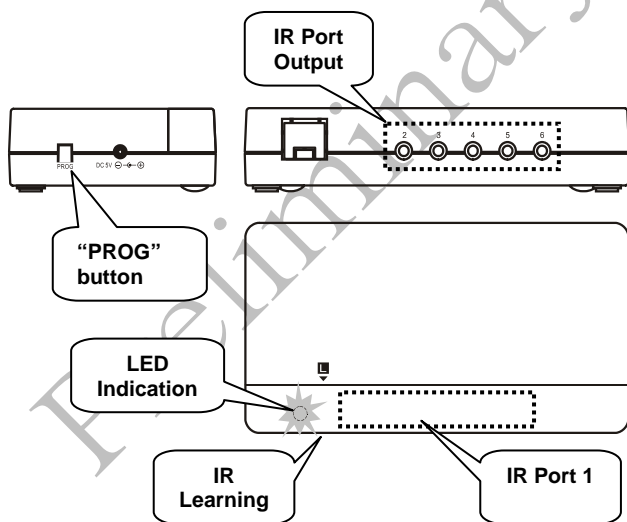


Figure 2 PROG Key and IR Ports of ZXT-300

Change Z-Wave-to-IR Channel (EP) on ZXT-300

Step	Setup Key	LED Indication Status on ZXT-300
1	Press and hold PROG button on the ZXT-300 for 3seconds to switch the EP (1->2->3->4->5->6->1->2...)	<ul style="list-style-type: none">• LED flashes 1 = EP1• LED flashes 2 = EP2• LED flashes 3 = EP3• LED flashes 4 = EP4• LED flashes 5 = EP5• LED flashes 6 = EP6

How to get the NIF “Node Information Frame” on ZXT-300

Step	Setup Key	LED Indication Status on ZXT-300
1	ZXT-300 switch to Z-Wave-to-IR Channel (EP1)	<ul style="list-style-type: none">• LED flashes 1 times then keep on
2	Press the PROG button on the ZXT-300 (EP1 will response “NIF” EP2, EP3, EP4, EP5, EP6 will response “Multi-channel capability report”)	<ul style="list-style-type: none">• LED flashes 1 times then keep on (ZXT-300 will report the supported command class)

Reset ZXT-300 to factory default

Press and hold “PROG” button for 10seconds on ZXT-300. LED will flashing until reset process is completed.

INSTALLATION

MOUNTING THE ZXT-300 TO A WALL

MOUNTING LOCATION PRECAUTIONS

- Before mounting, check the material and structure of the mounting location. If the location does not have the proper material or structure, the ZXT-300 can fall and cause an injury.
- Use commercial items that best match the wall structure and material for the screws and other fixtures.
- Do not mount near a kitchen counter, humidifier, or other location in which it can be exposed to smoke or steam. Doing so could cause a fire or electrical shock.
- Do not mount in locations with high humidity or large amounts of dust. Doing so could cause a fire or electrical shock.
- Do not mount to locations subject to high temperatures, high humidity, or exposed to water. Doing so could cause a fire or electrical shock.
- Do not mount to locations subject to large amounts of vibration, large jolts, or large forces. These could cause an injury if the ZXT-300 falls and breaks.

MOUNTING PROCEDURE PRECAUTIONS

- Do not modify parts or use the ZXT-300 in ways other than its intended use. Doing so could cause the ZXT-300 to fall and result in an injury.
- Be sure to fully check that there are no electrical wires or pipes inside the wall before mounting.
- If any of the screws are loose, the ZXT-300 can fall and cause an injury. Do not mount the ZXT-300 with the screws still loose.
- Check that the two screws mounted to the wall are fully inserted into the key holes of the ZXT-300. Otherwise, the ZXT-300 can fall and cause an injury.
- Do not mount the ZXT-300 so that it sticks out from the wall edge. It could get hit by people's bodies or objects and cause an injury.
- Remotec will not be liable for any accidents or injuries that occur due to improper mounting or handling.
- When mounting, be careful not to get your fingers pinched or injure your hands.

MOUNTING PROCEDURE

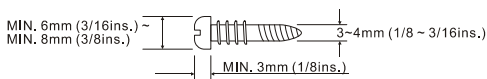
The ZXT-300 can be mounted to a wall or wooden racks using the two key holes in the bottom case. The ZXT-300 can be oriented horizontally or vertically. Mount in the best way for your installation conditions.

Note 1: The reception sensitivity varies depending on the antenna direction. Find the direction providing the best reception by adjusting the antenna direction before mounting the ZXT-300.

Note 2: No screws are provided for mounting to a wall.

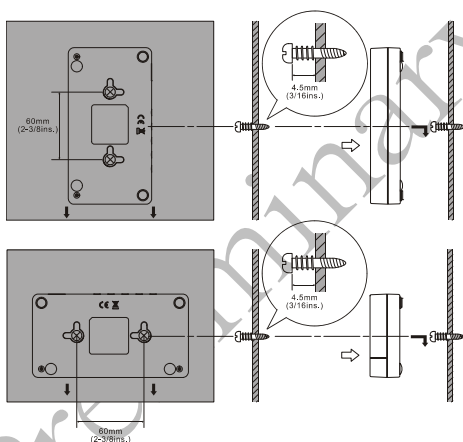
Note 3: Before mounting to a wall, be sure to fully read the precautions.

1. Obtain two screws suitable for the wall strength and material. The screw size is shown in the figure below.



2. The positional relationship between the ZXT-300 key holes and the screw mounting positions are shown in the figure below.

Note 1: When mounting the screws to the wall, leave a space between the wall and screw cap as shown in the figure.



3. Insert the ZXT-300 key holes onto the two screws mounted to the wall, and then slide downward to secure in place.
4. After securing the ZXT-300 to the wall, connect the AC/DC adaptor and cables to the ZXT-300.
Note 1: Check that the ZXT-300 is firmly secured to the wall.
Note 2: Insert the AC/DC adaptor and IR emitter cable so that they are firmly connected to the ZXT-300.
5. When removing the ZXT-300 from the wall, lift up the ZXT-300, then pull it towards you.

WIRELESS INFORMATION

Wireless range:

This device has an open air line of sight transmission distance of 100 feet which complies with the Z-Wave standards. Performance can vary depending on the amount of objects in between Z-Wave devices such as walls and furniture. Every Z-Wave device set up in your house will act as a signal repeater allowing devices to talk to each other and find alternate routes in the case of a reception dead spot.

Radio frequency limitations:

1. Each wall or object (i.e.: refrigerator, bookshelf, large TV, etc) can reduce the maximum range of 65 feet by up to 25 to 30%.
2. Plasterboard and wooden walls block less of the radio signal than concrete, brick or tile walls which will have more of an effect on signal strength.
3. Wall mounted Z-Wave devices will also suffer a loss of range as they are housed in metal junction boxes which could reduce the range by up to 25 to 30%.

TECHNICAL SPECIFICATIONS

Model no.	BW8370US (ZXT-300US)
Model no.	BW8370EU (ZXT-300EU)
RF Frequency	908.4MHz (US); ZXT-300US
RF Frequency	868.4MHz (EU); ZXT-300EU
IR Frequency	Up to 455kHz
IR Learning	Max 100 commands
Max. Range	up to 100ft outdoor line of sight, in unobstructed environment
Power	DC 5V 100mA
Humidity	10~85%, non-condensing
Dimension (LxWxT)	139 x 75 x 28.5 mm
Weight	90g

Control and Support Command Class

		ZXT-300	
Item	Command Class	Control	Support
1	COMMAND_CLASS_CONFIGURATION	No	Yes
2	COMMAND_CLASS_CONFIGURATION_V2	No	Yes
3	COMMAND_CLASS_VERSION	No	Yes

4	COMMAND_CLASS_MANUFACTURER_SPECIFIC	No	Yes
5	COMMAND_CLASS_SIMPLE_AV_CONTROL,	No	Yes
6	Multi Channel Command Class, version 2	No	Yes

Z-Wave protocol stack revision: Ver. 5.02 patch 3

CHECKING THE ACCESSORIES

After opening the cover of the packing box, check that the following accessories are included.

- ZXT-300: Z-Wave-to-IR Extender
- Power adaptor: 100~240Vac input, 5Vdc 1000mA (for ZXT-300)
- IR Emitting Cable: 3.5mm Mono plug cable x 3pcs (for ZXT-300)
- Quick Reference Guide
- Code List

FCC NOTICE

This equipment has been tested and found to comply with the limits for a Class B digital device, pursuant to Part 15 of the FCC Rules. These limits are designed to provide reasonable protection against harmful interference in a residential installation. This equipment generates, uses and can radiate radio frequency energy and, if not installed and used in accordance with the instructions, may cause harmful interference to radio communications. However, there is no guarantee that interference will not occur in a particular installation.

If this equipment does cause harmful interference to radio or television reception, which can be determined by turning the equipment off and on, the user is encouraged to try to correct the interference by one or more of the following measures:

- Reorient or relocate the receiving antenna.
- Increase the separation between the equipment and receiver.
- Connect the equipment into an outlet on a circuit different from that to which the receiver is connected.
- Consult the dealer or an experienced radio/TV technician for help.

WARNINGS

Changes or modifications not expressly approved by the party responsible for compliance could void the user's authority to operate the equipment.

- **RISK OF FIRE**
 - **RISK OF ELECTRICAL SHOCK**
 - **RISK OF BURNS**
-
- **The socket-outlet shall be installed near the equipment and shall be easily accessible.**
 - **Use only power supplies listed in the user instructions.**

Preliminary

www.remotec.com.hk