

RMI-Q data sheet

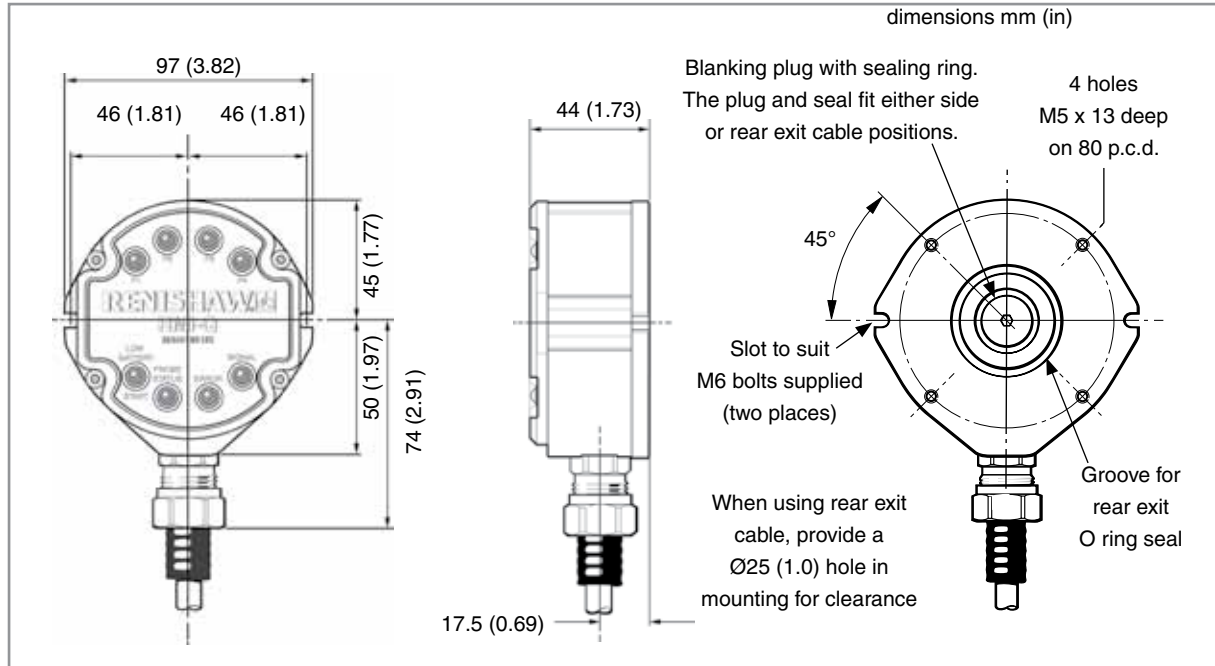
www.renishaw.com/rmi-q

Specification

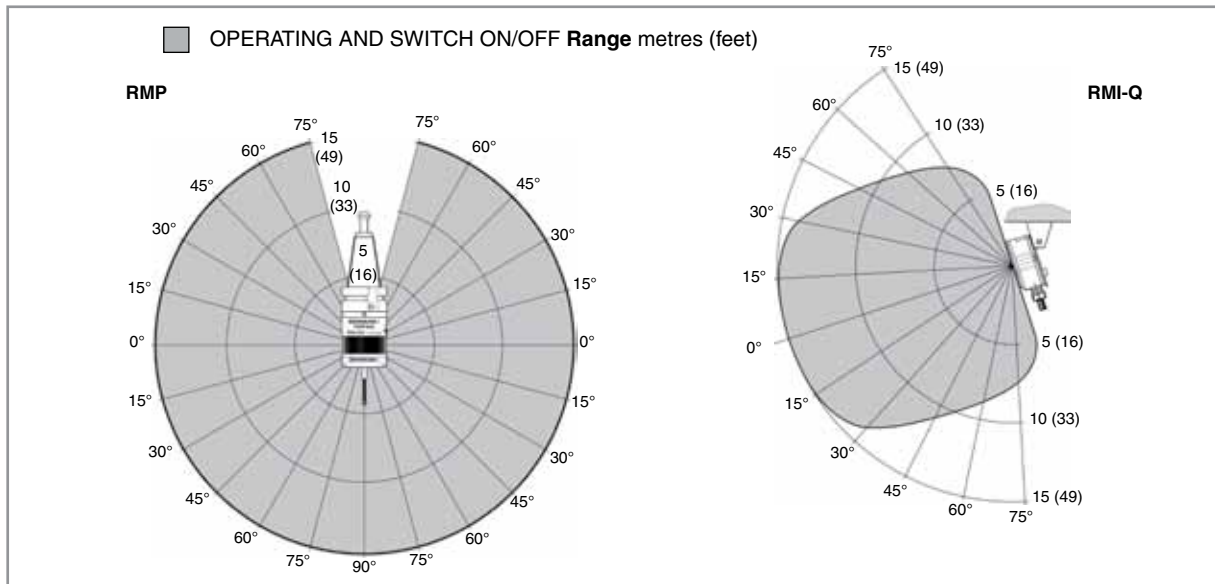
Territory	EU, USA, Japan, China, Canada, Switzerland, Norway and others pending.
Transmission type	Frequency hopping spread spectrum radio (FHSS).
Radio frequency	2400 MHz – 2483.5 MHz
Operating voltage	12 Vdc to 30 Vdc
Operating range	Up to 15 m (49.2 ft)
Weight	In box 2065 g (72.84 oz) including 15 m (49.2 ft) of cable 1625 g (57.32 oz)
Cable	15 m (49.2 ft) of cable standard length. Optional 30 m (98.4 ft) and 50 m (164 ft) cable assemblies are also available. Screened 16 core (each core 18 x 0.1 mm).
Configuration	Can be configured between side and rear exit.
Probe status outputs	1. SSR (N.O/N.C, pulsed/level). 2. Driven at power supply voltage (trigger high/trigger low, pulsed/level). 3. Driven output for Fanuc high speed skip.
Configurable M-code input	Pulsed or level.
Compatible probes	RMP40/RMP40M/RLP40/RTS/RMP60 and RMP600.
Probe communication	Up to four probes non-simultaneously.
Probe turn on	Optional 0.5s.
Mounting	Mounting bracket to allow directional setting.
Sealing	IPX8 (EN/IEC60529)
Storage temperature	-25 °C to +70 °C (-13 °F to +158 °F)
Operating temperature	+5 °C to +55 °C (+41 °F to +131 °F)

For the best possible application and performance support please contact Renishaw.

Dimensions



Performance envelope



Spare parts and accessories

A full range of spare parts and accessories are available. Please contact Renishaw for a full list.

For worldwide contact details, please visit our main web site at www.renishaw.com/contact

