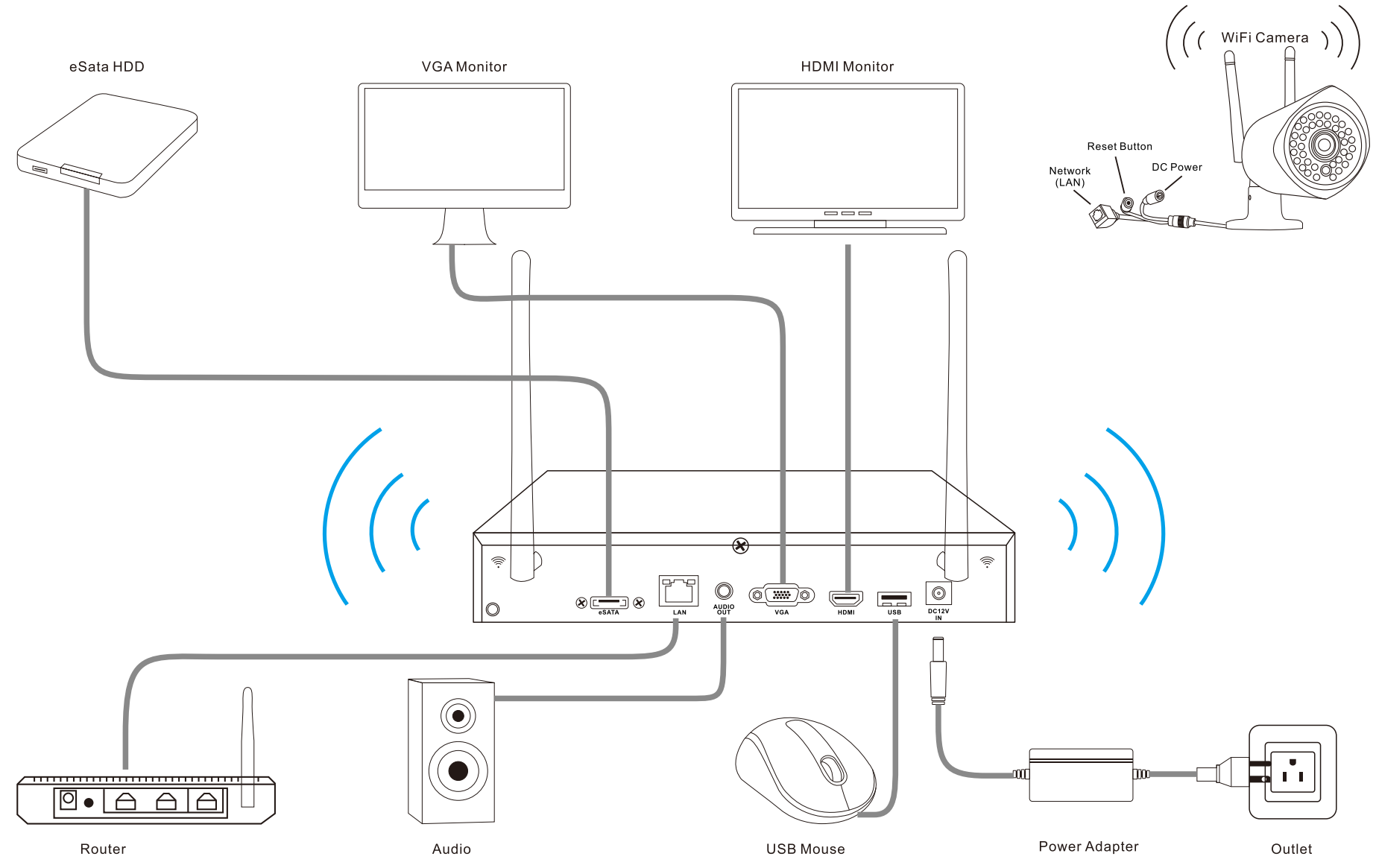
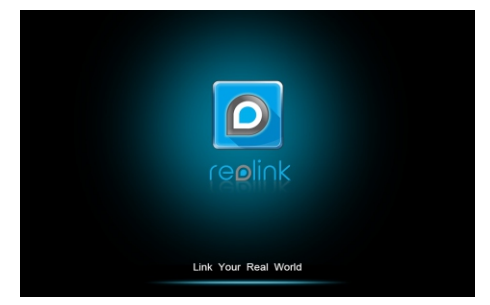


Connection Diagram

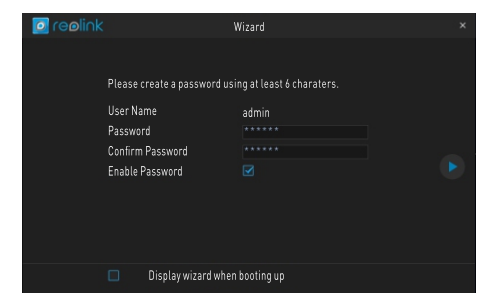


2 NVR Setup Wizard

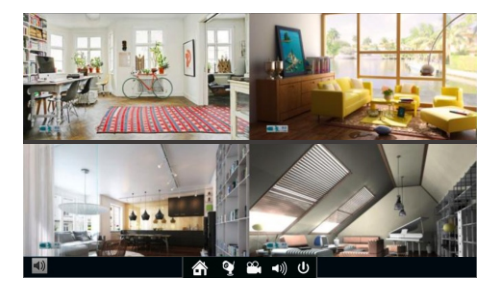
The setup wizard will run automatically the first time you turn on your NVR, you will see the below splash screen, it need around 30 seconds go to the Setup Wizard Page.



You need to follow the Setup Wizard to set your NVR, click to continue and at last step, click "Finish" to save your settings.



3 Live View Screen and Menu Bar



Right click the mouse on the Live View screen to open the Menu bar.

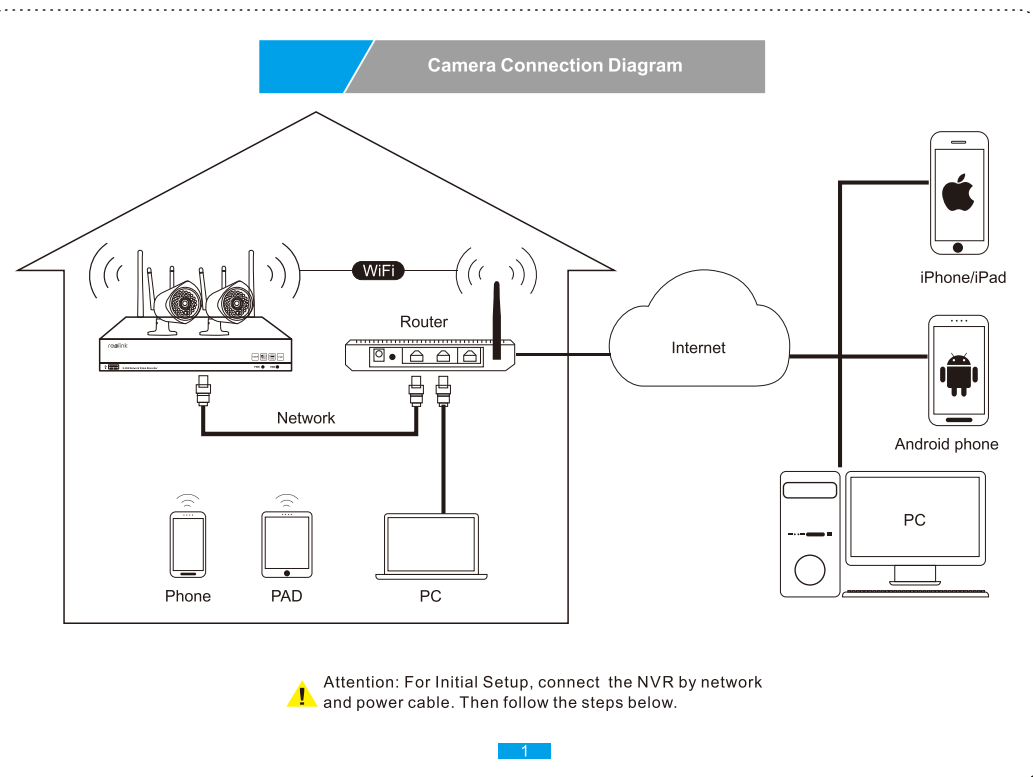
1. Opens the Main Menu
2. Opens Camera List
3. Search Video Files
4. Audio On/Off (Audio can be set on/off only after you enable Record Audio in Recording)
5. Lock/Shut Down/Reboot

Live View is the NVR's default display mode where all of your connected cameras are displayed on screen. You may check the status or operation of your NVR and cameras by using the icons and menu bars on the Live View screen.



Quick Start Guide

Mobile App



1

1 Install Reolink APP

You can search for "Reolink" App from Apple Store in iOS system or Google Play in Android system. Also scan the QR code below to download the App.

After downloading, install and launch the application.

2

2 Use Reolink APP

During start-up, you will see the splash screen and Devices page. The app will auto show the device list in your LAN (Local Area Network).

3

3 Create the password

Choose and click the Device you want to add. For security purpose, you need to create a password for first-time use or use the password which you created on the NVR Setup Wizard. Then click OK.

4

4 Live View

Now you can see the Live View page as below:

- Menu Button:** Access to Devices page
- Live View:** Access to live view mode
- Playback:** Remotely playback video recorded on NVR.
- Camera/NVR List:** Allows to enable or disable the camera availability
- Shows the camera or group you are viewing
- Capture:** Take snapshot and save image to your mobile device
- Stop/Start live view of the camera
- Record:** Video of the camera
- Control PTZ camera
- Choose 1 / 4 / 8 / 16 channel view
- Stop/Start selected camera
- Video quality stream
- Enable/Disable audio

Snapshot and Record path on mobile devices as below:
 iPhone/iPad: Photos folder
 Android device: My File / Reolink

5

5 Add Device in Different Network

On the Devices page, click **Add New Device** button to add and modify Device. After finished setting, click Save.

- Device Name:** Modify Device name here.
- Connect Mode:** Change the connection mode to P2P or IP/Domain by clicking the arrow button.
- UID:** Click QR code button to scan QR code or directly input the UID.
- User Name and Password:**
- Save:** Save the settings you modified on this page.
- Start Live View:** Click to view the device.

Scan UID

You can find UID on the top of the NVR device, it is a QR code with 16 digital characters.

6

7 Reolink Client

Client Software

Please install Reolink Client Software from CD or download software from www.reo-link.com. Then run the software.

7

1 Add Device

- Click Add Device button on the top right.
- Click Scan Device in LAN.
- Double-click the device you want to add, then device info will be displayed.
- Input the password (default password is Blank), if you already create password on App/NVR, you need to use the password you created to log in.
- Then click OK to log in.

You can also use UID mode to log in. From Register Mode area, select the mode to UID, then input your UID to UID field.

8

2 Client UI Introduction

- Live View:** Access the live view mode.
- Playback:** Remotely playback video recorded in NVR.
- RAM/CPU:** Shows the memory and CPU loading.
- Local Setting:** Setting the Record/Download/Capture path in the PC.
- Device List:** Shows the Devices connected to the software.
- PTZ:** Setting the PTZ parameters.
- Basic Settings:** Can set OSD/Encode/Image parameters.
- Display Layout:** Choose 1 / 4 / 8 channel view.
- Sound:** Enable / Disable the sound and adjust the volume of the sound.
- Play Control:** Choose to play Clear/Balanced/Fluent/Auto live video.
- Previous and Next Page:** Choose which group of channel to display during multi-channel view.
- Snap/Record:** Capture image or record live video.

9

3 Remote Config

Right-click the Device, it will show the setting windows.

Click Remote Config, you will see below windows.

10

Reolink Product

NVR	1080P Camera	4MP Camera		
1080P 8CH NVR RLC8-210B4	POE Dome RLC-220	AutoFocus POE Bullet RLC-411	POE PTZ Speed Dome RLC-423	
1080P 4CH WiFi RLC4-210WB2	WiFi Bullet RLC-210W	POE Dome RLC-420	WiFi Bullet RLC-410W	

Welcome to Reolink

To start, kindly please follow the Quick Start Guide to set the Reolink mobile app, Client software and hardware.

Get Support: For technical support, you can send E-mail to service@reo-link.com.

Get Manual and Software: You can download the Software and Manual from www.reo-link.com/manual. Software (Mobile App, Windows Client, Mac Client) Manual (QSG, User Manual)

Get Firmware: You can download the firmware from www.reo-link.com/firmware.

Reolink Digital Technology Co., Ltd
www.reo-link.com

FCC Caution: Any changes or modifications not expressly approved by the party responsible for compliance could void the user's authority to operate this equipment.

This device complies with Part 15 of the FCC Rules. Operation is subject to the following two conditions:(1)This device may not cause harmful interference, and (2) this device must accept any interference received, including interference that may cause undesired operation.

NOTE: This equipment has been tested and found to comply with the limits for a Class B digital device, pursuant to Part 15 of the FCC Rules.

These limits are designed to provide reasonable protection against harmful interference in a residential installation. This equipment generates, uses and can radiate radio frequency energy and, if not installed and used in accordance with the instructions, may cause harmful interference to radio communications.

However, there is no guarantee that interference will not occur in a particular installation.

If this equipment does cause harmful interference to radio or television reception, which can be determined by turning the equipment off and on, the user is encouraged to try to correct the interference by one or more of the following measures:

FCC RF Radiation Exposure Statement:

This equipment complies with FCC radiation exposure limits set forth for an uncontrolled environment End users must follow the specific operating instructions for satisfying RF exposure compliance. This transmitter must not be collocated or operating in conjunction with any other antenna or transmitter.

This equipment complies with FCC radiation exposure limits set forth for an uncontrolled environment. This equipment should be installed and operated with minimum distance 20cm between the radiator & your body.